

AIRBEST – A brand by Piab Group

Make Smart



Go Together

AIRBEST

AIRBEST (CHANGXING) TECHNOLOGY CO.,LTD.

Add: No.809, Changxing Avenue, Changxing
Economic Development Zone, Huzhou, Zhejiang,
China 313100

Tel: 86-572-6388266
Fax: 86-572-6532123
E-mail: info-airbest@piab.com
www.airbest.com
www.airbest.cn



AIRBEST Website



AIRBEST WeChat ID

AIRBEST



Vacuum Solutions Supplier

AIRBEST

Make Smart , Go Together



Company Introduction

AIRBEST was established in 2006, engaged in R&D, production and sales of vacuum gripping products (vacuum generators, vacuum suction cups and vacuum grippers, etc).

Products are used in different industries, mainly including intelligent manufacturing, automotive metal stamping, packaging, woodworking, industrial robots, foods, pharmaceuticals, electronics, etc.

We pay attention to the practical application of products, quality-orientation and innovation first. So far we acquired many patents.

In 2022, AIRBEST became a brand by Piab Group. AIRBEST constantly serves customers and makes improvements, contributes our professional technology in vacuum gripping field.

Appreciate your attention and support to AIRBEST.



Contents

A Vacuum Technology

1	Vacuum Technology Introduction
6	Application Symbol
7	Product Characteristics Symbol
8	Thread Instruction
9	Connector Selection
10	PJS Series Universal Insert Fitting
12	PJF Series Locking Fitting
14	PJT Series Thread Adaptor
14	Level Compensator
17	Suction Cup + Fitting
20	Suction Cup + Level Compensator (PSPE)
21	Suction Cup + Level Compensator (PSPF)
22	Suction Cup + Level Compensator
23	Application of Vacuum Technology
24	How to use sponge suction cups

B Vacuum Generators

25	AZK Series
32	AZQ Series
36	AZX Series
41	AZD Series
44	AGS Series
54	AGB Series
56	AGP Series
58	AGX Series
60	AGE Series
63	ABM/ABX Series
69	ABM/ABX Combined type
74	AMC Series
80	AM/AL/AH Series
88	AM/AL Combined type
94	AMD Series
98	AZW Series
101	AZR Series
106	ABT Series
109	ABP Series
111	ABQ Series
113	AEVC Series
116	AZL Series
120	ALH Series
123	AZH Series
129	AZU Series
132	ACV Series
137	ASBP Series
140	ALS Series
143	ACP Series
146	ACPF Series
149	ACPS Series
151	APB Series

C Vacuum Suction Cups

154	SZ Series
162	SP3 Series
176	SUF Series
177	SAN Series
178	SAO Series
185	SOFA Series
186	STP Series
188	SFT Series
192	SFA Series
194	SBT Series
195	SBL Series
198	SBLP Series
200	SBS Series
202	SFP Series
205	SBP Series
209	SXP Series
213	SGP Series
216	SBOF Series
219	STC Series
223	SFF Series
227	SOB Series
230	SOF Series
234	SOG Series
237	SFM Series
241	SOM Series
244	SBF Series
247	SDM Series
249	SFU Series
253	SFK Series
256	SHT Series
258	SDL Series
259	SFG Series
262	SFGT Series
264	SFD Series
266	SB Series
271	SBA Series
276	SF Series
282	SU Series
286	SP2F Series
293	SPA Series
302	SPD Series
304	SPF Series
316	SPC Series
322	SPJ Series
331	SPU Series
334	SH Series
341	SHB Series
348	SBB Series
350	SOP Series
352	SNP Series

D Special Vacuum Grippers

354	SLG Series
357	SNC Series
359	SNT Series
361	SLP Series
364	SLB Series
368	SLW Series
372	SLF Series

E Vacuum Grippers

375	TXN Series
381	TXD Series
384	TXC Series
389	TXM Series
393	TXP Series
395	TXH Series
399	TXL Series

F Mounting Parts

403	PSPE Series
407	PSPL Series
409	PSPS Series
411	PSPT Series
415	PSPH Series
418	PSPD Series
421	PSPF Series
424	PJS Series
428	PJT Series
430	PJF Series
432	PJB Series
433	PJE Series
434	PJH Series
436	PJP Series
439	PJQ Series
441	PDA Series
443	PDR Series
445	PTS Series
446	PTK Series
447	PSW Series

G Vacuum Accessories

448	ZFA Series
451	ZFE Series
453	ZFD Series
454	ZFB Series
456	ZFL Series
457	ZFP Series
459	ZVAB Series
460	ZVAC Series
461	ZVAA Series
462	ZVEA Series
463	ZVR Series
464	ZVRM Series
466	ZVCM Series
467	ZVD Series
468	ZVS Series
470	ZVT Series
471	ZPDT Series
475	ZPDE Series
479	ZPMR Series
480	ZSA Series



A Vacuum Technology

Vacuum level

The difference between standard atmospheric pressure and absolute pressure.

Pressure unit

Positive pressure conversion table

	Pa(N/m ²)	kPa	bar	kg/cm ²	torr	psi(ibf/in ²)	inHg
1 Pa	1	0.001	0.00001	10.1792×10 ⁻⁶	7.50062×10 ⁻³	0.145038×10 ⁻³	0.3×10 ⁻³
1 kPa	1,000	1	0.01	10.1792×10 ⁻³	7.50062	0.145038	0.3
1 bar	100,000	100	1	1.01972	750.062	14.5038	30
1 kg/cm²	98,066.5	98.0665	0.980665	1	735.559	14.2233	29.42
1 torr	133.322	0.133322	1.33322×10 ⁻³	1.35951×10 ⁻³	1	19.3368×10 ⁻³	0.04
1 psi	6,894.76	6.89476	68.9476×10 ⁻³	70.3096×10 ⁻³	51.7149	1	2.07

Negative pressure conversion table

	mbar	kPa	-kPa	%vacuum	torr	-mmHg	-inHg
Atmospheric pressure	1,013	101.3	0	0	760	0	0
	913	91.3	10	9.9	685	75	3
	813	81.3	20	19.7	610	150	6
	713	71.3	30	29.6	535	225	9
	613	61.3	40	39.5	460	300	12
	513	51.3	50	49.3	385	375	15
	413	41.3	60	59.2	310	450	18
	313	31.3	70	69.1	235	525	21
	213	21.3	80	79	160	600	24
Absolute vacuum	0	0	101.3	100	0	760	30

Flow

Air volume flows through specified cross section per unit time

Flow conversion table

	m ³ /s	m ³ /h	NL/min	NL/s	ft ³ /min(scfm)
1 m³/s	1	3,600	60,000	1,000	2,118.9
1 m³/h	0.28×10 ⁻³	1	16.6667	0.2778	0.5885
1 NL/min	16.67×10 ⁻⁶	0.06	1	0.0167	0.035
1 NL/s	1×10 ⁻³	3.6	60	1	2.1189
1 ft³/min	0.472×10 ⁻³	1.6992	28.32	0.4720	1

How to produce vacuum

Compressed air flows in high speed, which sucks the air in vacuum chamber, then vacuum chamber has negative pressure

Instructions for suction cups' applications

We separated applications in vacuum applied to sealed and unsealed systems. Sealed systems are all applications where there is no leakage between the suction cup and the substrate

Examples: Handling of glass plates / handling of smooth surface metal plates / Evacuation of containers / Tests of tightness

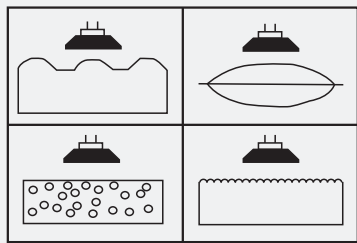


Figure 1.1 types of surface

Unsealed systems applications are that where there is leaking through the suction cup and the substrate, where the product is porous, or through the edge of the pad in the case of rough substrates. There is the possibility of applications where leakage occurs by both ways

Examples: Handling of cardboard box / Handling of foam / Handling of rough ceramic floor

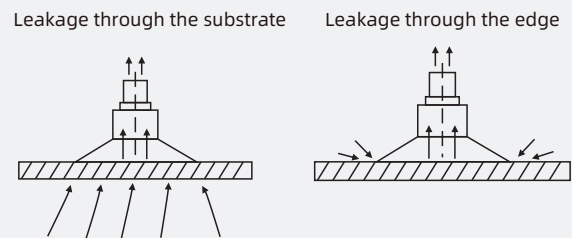


Figure 1.2 Unsealed system

Types of suction cups

Flat suction cups

- Small course of work, suitable for fast gripping
- Good for handling flat objects
- Suitable for horizontal or vertical loads and flip over

1.5 Bellows suction cups

- Good for handling objects with uneven surface and curved objects
- Large course of work, compensate for varying workpiece heights
- Suitable for horizontal or vertical loads, slightly flip over

Multiple bellows suction cups

- Large course of work, compensate for varying workpiece heights
- Good for handling objects with uneven surface and curved objects
- Limited load capacity, not suitable for fast gripping and flip over

We recommend the ideal vacuum level for suction cups working is -60kPa~-80kPa, because the energy consumption ratio is greatly reduced when the vacuum level beyond -80kPa

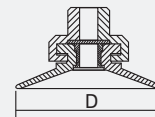


Figure 1.3 Flat suction cups

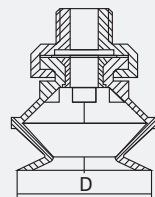


Figure 1.4 1.5 Bellows suction cups



Figure 1.5 Multiple bellows suction cups

Suction force

Suction force means the maximum weight of the object, which can be gripped in vertical lifting; it is proportional to the pressure difference and effective suction area

Calculation formula of suction force: $F = P \times S$

F = Suction force

P = Vacuum level, the difference between atmospheric pressure and internal pressure of suction cups.

S = Effective suction area

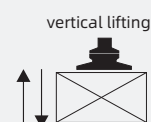


Figure 1.6 Movement

Lateral force

Lateral force means the maximum weight of the object, which can be gripped in lateral lifting; it is related to suction force of suction cups and friction

Calculation formula of lateral force: $F_L = P \times S \times \mu$
 μ = Friction coefficient

Friction coefficient “ μ ” is the ratio of friction and suction force between the suction cups and workpiece, the inner structure of suction cups and surface of workpiece has influence on the friction coefficient. For the same type surface of workpiece, the friction coefficient of suction cups with inner support is larger than the flat suction cups; for the same suction cup, the friction coefficient of workpiece with dry and rough surface is larger than the smooth surface workpiece

Table 1.1 Friction coefficient (reference)

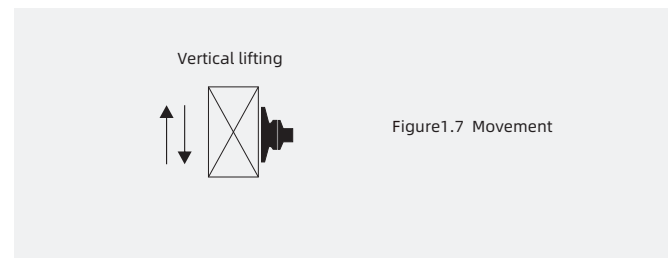
Surface of workpiece	Friction coefficient μ
Wet or oily surface	0.1~0.4
Smooth and flat surface (glass, slate, plastic, metal)	0.5
Rough and flat surface (dry)	1

Safety factor

The suction force or lateral force is theoretical value, many other important factors should be considered in practical application, such as the size and shape of suction cups, smoothness, hardness and shape of workpiece, handling speed, flip over, etc. The safety factor k should be considered when choose the model of suction cups, $k \geq 2$

Table 1.2 Safety factor (reference)

Type of workpiece or working type	Safety factor k
Smooth and flat workpiece	2
Smooth and flat workpiece with fast movement or flip over	4
Rough or irregular workpiece	4
Carton packages	4
Softbag packages	6



Selection of diameter of the suction cup

According the formulas, we could calculate the approximate diameter of suction cups

Table1.3 Formulas for diameter for different type of suction cup

D=diameter of suction cup (mm) V=vacuum level (-kPa)
 k=safety factor (refer to table 1.1) m=weight of workpiece (kg)
 n=number of suction cups in the application

Type of suction cups	Formula	Type of suction cups	Formula
1.5 bellow type 	$D = 152 \times \sqrt{\frac{m \times k}{V \times n}}$	Multiple bellows 	$D = (223.5 \sim 558.5) \times \sqrt{\frac{m \times k}{V \times n}}$
Flat type 	$D = 139.5 \times \sqrt{\frac{m \times k}{V \times n}}$	Theoretical (without deformation)	$D = 117 \times \sqrt{\frac{m \times k}{V \times n}}$

Example

Sealed system

Determine the type and number of suction cups for handling an aluminum plate, with smooth and flat surface, size 2000x2000mm, weight 260kg. The manipulation will be done through a pulley in the horizontal direction at low speed

The handling surface is nearly smooth and flat
Safety factor is 2

To ensure the stability of handling and avoid the deformation and bending of aluminum plate under gravity, we use 8pcs suction cups and calculate the result in case of vacuum level -60kPa

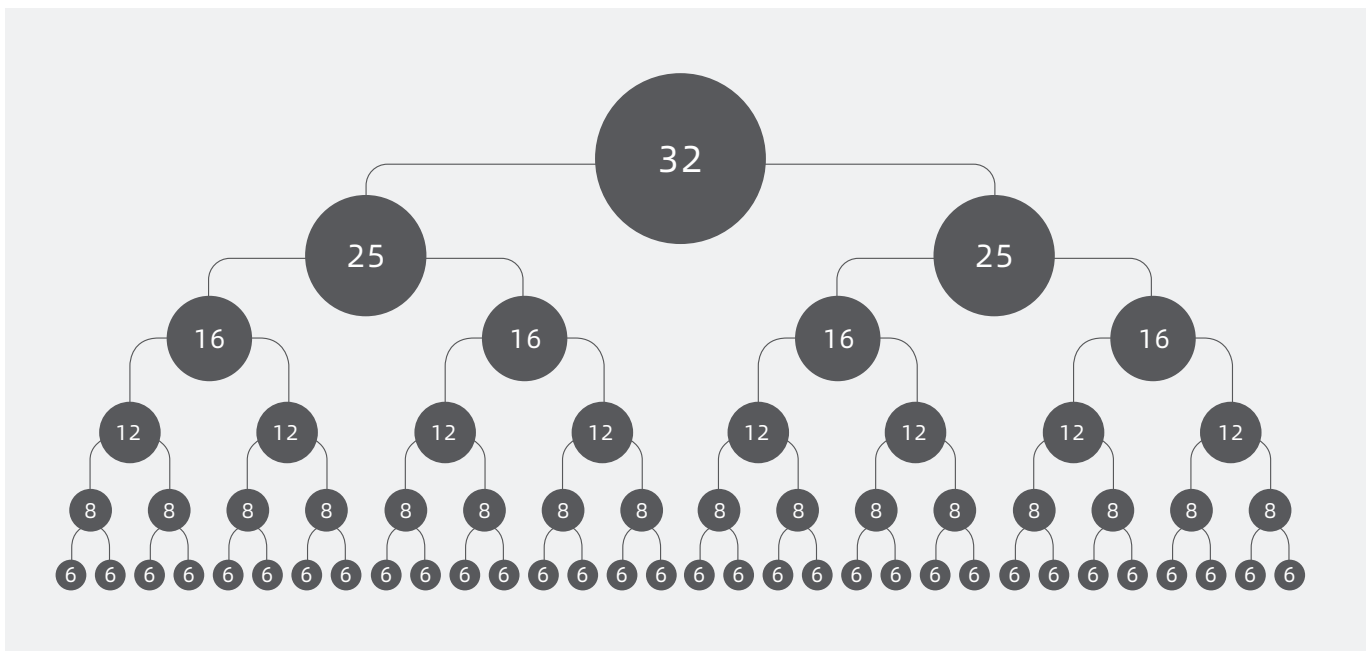
From Table 1.3, we could conclude that:

$$m=260\text{kg} \quad k=2 \quad V=-60\text{kPa} \quad n=8$$

$$D=139.5 \times \sqrt{\frac{m \times k}{V \times n}} \Rightarrow D=139.5 \times \sqrt{\frac{260 \times 2}{60 \times 8}} = 145.19\text{mm} \approx \boxed{150\text{mm}}$$

According to the result, we could choose AIRBEST flat suction cup SPF150 or SF150

Layout of hoses



Common application (for reference):

- ◇ The diameter mentioned above, for hoses dia. ≤ 16mm means outer diameter; dia. > 16mm, means inner diameter
- ◇ The hoses layout above is for reference only, please consider the actual application

Material characteristic

Material	Short time contact temperature(°C) ≤ 30s	Long time contact temperature(°C) > 30s	Wear resistance	Oil resistance	Weather and ozone	Resistivity
N - NBR	- 20 ~ +110	- 10 ~ +80	◎	◎	○	-
S - Silicone	- 40 ~ +250	- 30 ~ +200	×	×	◎	-
CN - Conductive NBR	- 10 ~ +100	- 10 ~ +70	◎	◎	○	10 ⁵ -10 ⁹
CS - Conductive silicone	- 30 ~ +200	- 20 ~ +160	×	×	○	10 ⁵ -10 ⁹
U - Polyurethane	+10 ~ +60	+10 ~ +40	◎	◎	◎	-
HK - Extra high temp rubber	- 10 ~ +350	- 5 ~ +250	◎	○	○	-
E - EPDM	- 30 ~ +150	- 20 ~ +120	○	×	◎	-
HS - High temp silicone	- 20 ~ +300	- 50 ~ +250	△	×	◎	-
HD - High temp/mark free material	- 10 ~ +180	- 5 ~ +160	◎	◎	◎	-
NR - Natural rubber	- 20 ~ +80	- 10 ~ +60	◎	×	△	-
NF - Neoprene foam rubber	- 20 ~ +80	- 10 ~ +60	◎	△	◎	-
OF - Geranium foam rubber	- 20 ~ +80	- 10 ~ +60	◎	×	×	-

◎: Excellent ○: Good △: Fair ×: Unsuitable

Suction cups storage instruction

Temperature

The suitable temperature for suction cups storage is 15°C~25°C (59°F~77°F)

Humidity

The relative humidity of storage environment should be less than 65% and without condensation, avoid extremely wet or dry storage environment

Lights

Please store in dark environment, avoid direct sunlight or strong UV

Radiation

Keep away from ionizing radiation

Ozone

Ozone will cause harm to the products

Deformation

The products should be stored in a loose space to avoid being squeezed

Stock turnover

Follow "First In First Out" for the stocks

Color and hardness of suction cup

Examples

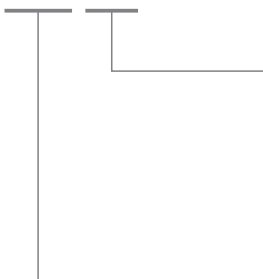
S - Silicone		Color is red, calibration hardness is 50°
WS - White silicone		Color is white, calibration hardness is 50°
CS - Conductive silicone		Color is black, there is red dot on surface ,calibration hardness is 55°

Suction cup's color, hardness are shown as above icon for your reference. Besides, slight color difference caused by catalogue printing and difference between calibration hardness of material and actual hardness of suction cup are normal. (Generally within ±5°)

UI	Industry	Description	Recommendation		Applicable Suction cups
			Vacuum generator	Suction cup	
	PACKAGING (Carton)	Mainly for handling, logistics, stacking, storage of carton and soon. The features are that the workpiece is easy to deform, porous, medium weight, various sizes, and has high requirement for wear resistance of the suction cup	Vacuum gripper, multi stage vacuum pump, etc take advantage of flow to compensate leakage loss	NBR, PU, etc. Excellent wear resistance, recommend bellows suction cups	TXC, TXM SB, SPC
	PACKAGING (Plastic Bag)	Mainly for gripping, destacking, handling of plastic bag, purchasing bag, cat food bag and dog food bag. The features are that the workpiece can be both soft and hard and has wrinkles, and has high requirement for deformation and adaptability of suction cup itself	Select vacuum generator according to weight and characteristic of workpiece	Silicone, soft and flexible, recommend multiple bellows suction cups	SBL, SBLP STP, SPJ SFA
	GLASS	Mainly for handling, gripping of universal glass, industry glass, float glass and so on. The features are that workpiece is heavy, flat, smooth, hard and it has requirement of powerful lateral gripping force	Select vacuum generator according to weight and characteristic of workpiece	NBR, excellent wear resistance, recommend flat suction cups	SFG, SF
	METAL SHEET (Sheet Metal)	Metal sheet industry, mainly for handling, fixing and processing of metal plate. The features are that the workpiece is easy to deform, with oily surface, curved metal plate, heavy weight and has high requirement for big internal support, anti slip, anti deformation of suction cup	Select vacuum generator according to weight and characteristic of workpiece	NBR, PU etc. excellent wear resistance, recommend flat or 1.5 bellows suction cups	SFF, SFM STC, SBF SOF, SOB SDM, SOM
	META SHEET (Thick Metal Plate)	Metal sheet industry, mainly for handling, fixing and processing of metal plate. The features are that the workpiece is, with oily surface, heavy weight and has high requirement for large internal support, slip resistance, anti deformation of suction cup	Select vacuum generator according to weight and characteristic of workpiece	NBR, PU, etc. excellent wear resistance, recommend flat suction cups	SFF, SFM SDM, SOF SFK
	AUTOMOTIVE	Automotive industry, mainly for glass, curved metal plate, tyre and so on. The features are that metal plate is with uneven and curved surface, glass is smooth and with heavy weight, and has high requirement for slip resistance	Select vacuum generator according to weight and characteristic of workpiece	NBR, PU etc. excellent wear resistance and good oil resistance	SBF, SFG SFF, SFM STC, SBF SOF, SOB
	WOOD	Wood industry, mainly for handling of wood plate, fiberboard, wooden handicraft and so on. The features are uneven surface, porous, heavy weight, good sealness and large internal support for suction cup	Multistage vacuum generator AM/AL, etc. Take advantage of flow to compensate the flow loss between suction cup and workpiece	NBR, excellent wear resistance	SF, SPF SFU, SFD SOM
	FABRIC	Fabric industry, mainly for handling of cloth, gauze and so on. The features are workpiece is easy to deform, porous, light weight, overlap, and has requirement of large vacuum flow for suction cup	Select vacuum generator according to weight and characteristic of workpiece	POM material special gripper, which is with suction cup, recommend flow gripper	SLP, SLB
	COMPOSITE MATERIAL	Mainly for handling leather, fiber plate, the features are that the workpieces are porous, light, and overlapping and has requirement of large vacuum flow for suction cup	Select vacuum generator according to weight and characteristic of workpiece	Select suction cup according to actual condition	SLB
	STONE	Stone industry, mainly for handling marble, bricks, and so on. The features are that workpiece is with uneven surface and has requirement for large deformation of suction cup	Multistage vacuum generator AM/AL, etc. Take advantage of flow to compensate the flow loss between suction cup and workpiece	NF-Neoprene foam rubber OF-Geranium foam rubber large deformation and good tightness, recommend foam rubber suction cup	SOP, SNP
	INJECTION MOLDING	Plastic industry, mainly for handling in latter procedure of plastic injection molding. The features are high temperature resistance, workpiece with curved surface, and has high requirement for high temperature	Select vacuum generator according to weight and characteristics of workpiece	Silicone, HD high temp material, recommend high temp material suction cup	Silicone, HD high temp material, other special custom-made products
	ROBOT	Robot terminal components, supporting robot to grip and handle. The features are that it requires fast response, combined type saving pipes, system with high safety factor.	Select vacuum generator according to weight and characteristics of workpiece	Select suction cup according to workpiece	--
	MACHINE	Machine terminal components, supporting intelligent manufacture equipment to grip and handle. The features are that they are small size, light weight, compact and most of them are metal products	Select vacuum generator according to weight and characteristics of workpiece	Select suction cup according to workpiece	--
	ELECTRONICS (Screen)	Handling of the screen of mobilephone, tablet PC, etc. The features are mark free, without deformation, slip resistance, small and light, etc.	Select vacuum generator according to weight and characteristics of workpiece	Flat suction cup, mark free suction cup which is HD material, halogenation, and teflon tape	SNT, SZU SZC, SZB SPC, SLP SP3, etc.
	ELECTRONICS (PCB Board)	Electronics industry, mainly for handling electronic components. The features are that workpiece is with small surface, light weight, without mark, and has high requirement for conductivity of suction cup	Select vacuum generator according to weight and characteristics of workpiece	Materials like NBR, Si or conductive NBR, Conductive Si, etc are soft, wear resistant and conductive. Recommend flat, or 1.5 bellows suction cups	SZU, SZC SZB, SAN SAO, SLB TXC, SP3, etc.
	PHARMACEUTICALS	Pharmaceuticals industry, mainly for handling of medical kits, medical devices, etc. The features are that there is alcohol, chemical reagent on the surface of workpiece, and it has high requirement for chemical resistance of suction cup	Select vacuum generator according to working environment and characteristic	Special plastic material, corrosion resistance, alcohol resistance, wear resistance, weather resistance	SBOF
	FOOD	Food industry, mainly for handling of bread, chocolate, milk, etc. The features are irregular shape of surface of workpiece, light weight, plastic bag package, and it has high requirement for material of suction cup	Select vacuum generator according to weight and characteristics of workpiece	FDA silicone, soft seal or FDA POM suction cup	SBL, SBLP SNT, SBS
	NEW ENERGY (Photovoltaic)	New energy industry, mainly for handling of solar cell, circuit board. The features are that the workpiece is porous, fragile and require soft contact and large vacuum flow and average air flow	Air flow is well distributed, smoothly gripping	Wafer gripper	SLW
	NEW ENERGY (Li Battery)	New energy li battery industry, mainly for handling of battery pack, battery. The features are corrosion resistant, explosion proof of soft package gripping, safe and reliable	Select vacuum generator according to weight and characteristics of workpiece	Suction cup with corrosion resistant material, such as EPDM, fluorine rubber	SLB, SF SB, etc.

UI	Characteristic	Description	Applicable suction cups
	Porous	Suitable for porous workpiece, main features are that vacuum generator with low vacuum level and large vacuum flow(usually use flow gripper)is through flow to compensate air permeability loss to create vacuum to grip workpiece	SLB, SLP
	Curved surface	Suitable for workpiece with curved surface or certain slope surface. Usually adopt bellows suction cups to compensate the plane.	All bellows suction cups
	Slip resistance	For workpiece with smooth surface and prevent it from side slip when grip. Generally adopt flat with ribs or flat with pattern suction cup	All flat with ribs suction cups and flat with pattern suction cups
	Rough surface	Mainly for workpiece with rough surface such as wood plate, stone. In order to prevent air leakage, usually adopt sponge suction cup to compensate the micro space to grip the workpiece	SNP, SOP
	Heavy load	For gripping workpiece with heavy load, generally adopt heavy load suction cups and mounting parts	Flat suction cup with big diameter PSPH heavy load level compensator.
	Non-rotating	Mainly for workpiece having precise positioning and direction requirement.It needs non-rotating function	Non-rotating level compensator etc.
	FDA	For workpiece requiring safety certificate in food industry of medical industry, usually adopt food grade white silicone of POM suction cups with FDA	WS material suction cup, SNT-P series
	Tube shaped object	Adopt special concave suction cups for tube shaped or stick shaped workpieces	SOG
	Long and narrow object	Adopt oval suction cups special for long and narrow workpiece	SOB, SOF
	Corrosion resistance	Adopt fluorine rubber or EPDM suction cups for requirements of corrosion resistance, (such as battery liquid, chemical environment)	F/E material suction cups
	Long lifet ime	Adopt suction cups with special material for high weariness occasion which is longer than average life	V/U material suction cups
	Spherical objects	Adopt deep taper suction cup to grip spherical objects	SZD, SBS
	Water resistance Oil resistance	Adopt special suction cups with oil resistant material and design	SFM, SBF, STC, SFF, etc.
	Composite product	Composite product integrated with vacuum generator and suction cups, save space,easy to assemble and wide usage	SLB, SLW, SLP, SNT, SLF, etc.
	Anti-deformation	Select different suction cups for different workpieces and conditions to grip workpiece without deformation	SF, SFF, SFT, SFA, etc.
	Temperature resistance up to 180°C	Adopt suction cups with high temperature resistant material for gripping workpiece with high temperature 180°C	HD suction cup, Silicone suction cup
	Temperature resistance up to 400°C	Gripping workpiece with high temperature 400°C	SHT

M5 M



Thread

M	Male thread
F	Female thread

Types of thread

M	Metric thread
G	British standard pipe thread
T	NPT thread
N	NPSF thread
R	British conical pipe thread

Example

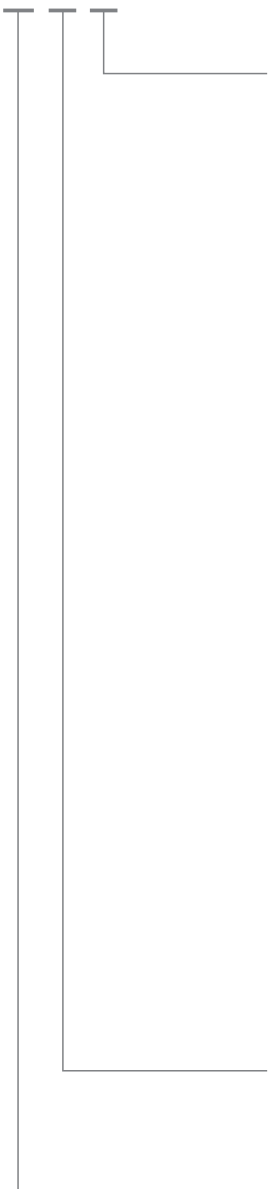
Types of thread	Size	
M	5	M5: M5
G	1	G1: G1/8
T	4	T4: NPT1/2
N	8	N8: NPSF1"
R	12	R12: R1"1/2
...	...	

Connection thread instruction

G1M	G1/8 Male thread	G6F	G3/4 Female thread
G2M	G1/4 Male thread	G8F	G1" Female thread
G3M	G3/8 Male thread	G12F	G1"1/2 Female thread
G4F	G1/2 Female thread		

Note: Thread pitch which is not indicated in the catalogue, is considered as national standard coarse thread specification.

P J S - ***



Categories of connector

S	Universal inserted fitting for suction cup
T	Adapter
F	Locking fitting
B	Ball joint
H	Universal holder
E	Flexible joint
P	One-touch fitting
Q	Pagoda fitting

Product code for connector

J	Connector
----------	-----------

Product code for mounting parts

P	Mounting parts
----------	----------------

Mounting Parts for Universal Suction Cup -Locking Fitting Selection Instruction

Series	Size range	Suction cup connection				
		M5F	M8F	G1F	G2F	G3F
SB	5-15	●				
	17-40			●		
	50				●	●
	75				●	
SBA	11-25	●				
	33-78				●	
SBF	All sizes				●	●
SBOF	All sizes				●	
SFT	15-24	●		●		
	30-40				●	
SBL	15	●				
	20-40			●		
	50				●	●
SBLP	30				●	
	40					●
SF	15	●				
	20-40			●		
	50				●	●
SU	2-8	●				
	20-40			●		
	50				●	●
SUF	All sizes	●				
STC	All sizes				●	
SFF	All sizes				●	
SFM	50-120				●	
SOB	All sizes				●	
SOF	All sizes				●	
SOG	15×40	●				
	35×100				●	
SFP	All sizes			●		
SBP	10-15	●				
	20-40			●		
	50				●	●
	70					●
SXP	20-40			●		
	50				●	●
	70					●

Mounting Parts for Universal Suction Cup -Locking Fitting Selection Instruction

Series	Size range	Suction cup connection				
		M5F	M8F	G1F	G2F	G3F
SGP	25-45			●		
	55				●	●
SAN	All sizes	●				
SAO	All sizes					
SPA	10-20	●				
	30B	●				
	25-50		●			
SPC	5-7	●				
	10-20	●				
	30-60					
	90					
SPF	2-3.5					
	5-8	●				
	10-15	●				
	20	●				
	25-40	●				
	50					
	60-95					
	120-300					
SPJ	4					
	6-8	●				
	10-15	●				
	20-25	●				
	30-40	●				
	50					
	60-80					

Adapter Selection Instruction

Thread(1)	Thread(2)											
	M5F	M5M	M8F	M8M	G1F	G1M	G2F	G2M	G3F	G3M	G4F	G4M
M5F	●											
M5M		●	●	●								
M8F		●	●									
M8M				●	●	●						
G1F				●	●							
G1M						●	●	●				
G2F						●	●					
G2M								●	●	●		
G3F								●	●			
G3M										●	●	●

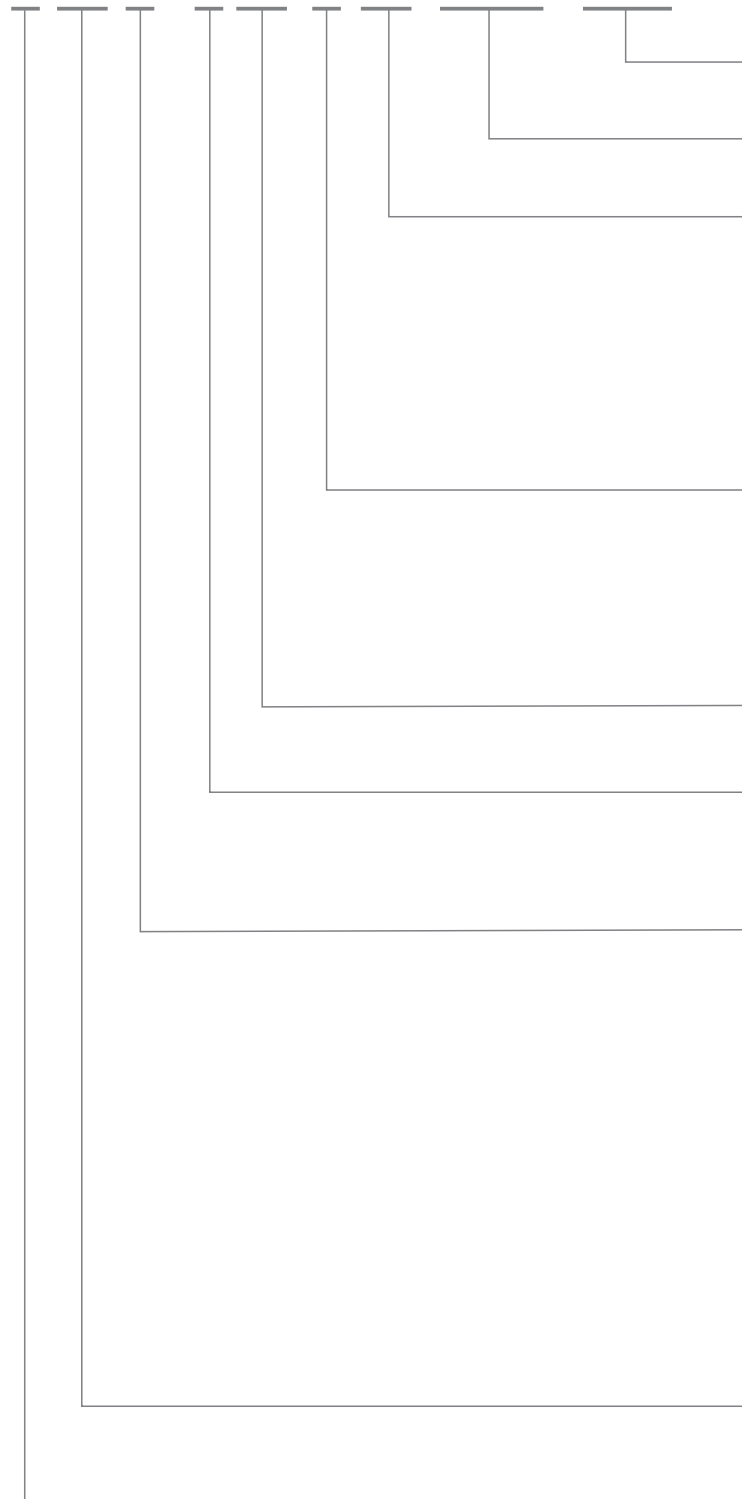
Example: PJT-M5M-M8F

◇ Note: For detailed sizes of adapter, please refer to PJT series on page 428-429

Level compensator selection instruction

Series	Applicable industry	Description
PSPE	Electronics industry for light and small load	Small and light level compensator, port specifications are M5 male thread and SC type
PSPT	All industries	Conventional level compensator Port specification is M8, G1/8, G1/4, G3/8 male thread and G1/8, G1/4 female thread
PSPH	Metal sheet, automotive, machinery, etc. for heavy load	Heavy-duty level compensator, connection thread on suction cup side is G3/8, G1/2 male thread
PSPF	All industries, mainly used with suction cup SPA series, SPJ series, SPF series	Compact external level compensator, port specification is M5, M8 female thread, M10 male thread
PSPD	Metal sheet, automotive, machinery, glass, packaging, etc. For heavy load	Double spring heavy-duty level compensator, can balance the deformation of the workpiece and the mounting plate of the level compensator
PSPL	For light or small size load, such as electronics industry	Retraction type level compensator, thread of connection port is M5 female thread

P SP E - I 20 L A4 M5M - M10



Mounting thread

Suction cup connection

Lateral vacuum port connection

Nil	Non-lateral vacuum port connection
A	One-touch fitting, example: A4, ϕ 4 one-touch fitting
B	Pagoda fitting, example: B4, ϕ 4 pagoda fitting
M	Metric thread fitting, example: M5, M5 male thread fitting
R	Taper pipe thread connection, example: R1, Rc 1/8 taper pipe fitting

Rotary type

Nil	Vertical rotating
R	Vertical non-rotating
L	Lateral rotating
B	Lateral non-rotating

Buffer stroke

Buffer style

I	Built-in spring
E	External spring

Categories of level compensator

E	Small and light level compensator
T	Standard level compensator
H	Heavy-duty level compensator
F	Compact level compensator with external spring
D	Double spring heavy-duty level compensator
L	Retraction type level compensator

Product code for level compensator

SP	Level compensator
----	-------------------

Product code for mounting parts

P	Mounting parts
---	----------------

Level Compensator Selection Instruction

Series	Vacuum port	Mounting connection	Buffer stroke (mm)											Vacuum port+rotary type						
			6	10	15	20	25	30	40	50	60	75	90	110	Nil Vertical rotating	R Vertical non-rotating	L Lateral rotating	B Lateral non-rotating		
PSPE	M5M	M8	●	●	●		●											●	●	
	M5M	M10		●		●		●	●	●							●	●	●	●
	M5F	M10		●		●		●	●	●							●			
	M8M M8F	M14		●		●		●		●							●			
PSPT	M8M M8F	M14		●		●		●		●							●			
	G1/8M	M16		●		●		●		●							●		●	
	G1/8F	M16		●		●		●		●							●			
	G1/4M	M18		●		●		●		●							●	●		
											●	●	●	●			●			
	G1/4F	M18		●		●		●		●							●			
	G3/8M	M18		●		●		●		●							●	●		
										●	●	●	●			●				
PSPH	G3/8M	M30					●			●		●	●				●			
	G1/2M	M30					●			●		●	●				●			
PSPD	G1/4M	M20					●			●							●	●		
	G3/8M	M30					●			●			●				●	●		
	G1/2M	M30					●			●			●				●	●		
PSPL	M5F	M10		●	●	●											●			

Series	Vacuum port	Mounting connection	Buffer stroke (mm)					Vacuum port+rotary type		
			4	6	10	15	30	Nil Vertical rotating	L Lateral rotating	
PSPF	M5F	M11	●		●				●	●
		M14		●		●			●	●
	M8F	M14		●		●			●	●
	M10M	M16			●		●			●

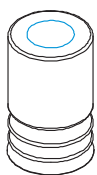
◇ Note: "●" - standard type, contact with sales if need customized one

Suction cup(without fitting)+PJS series fitting for suction cup

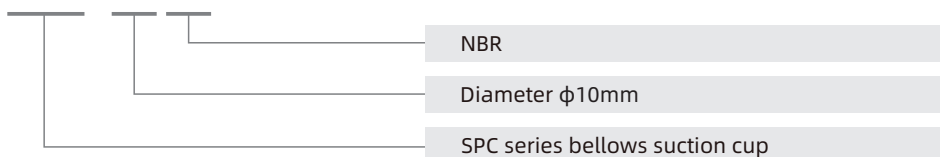
Item	Model	Applicable suction cup
Fitting for suction cup	PJS-M5M-ST2	SPC5、7
	PJS-M5M-SPC10	SPC10
	PJS-M5M-SPC20	SPC15、18、20

◇ The above table is from page 319

Suction cup(without fitting)

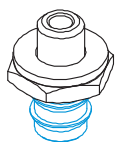


SPC 10 N

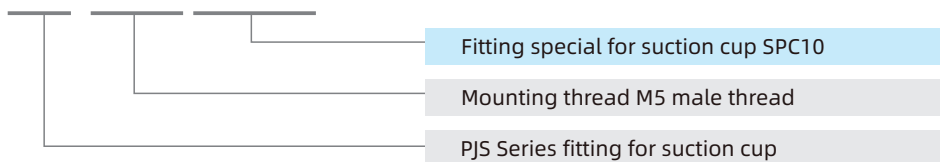


Remark: For suction cup connection, please refer to mounting parts of SPC 10

PJS series fitting for suction cup

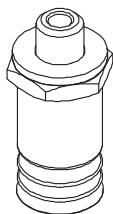


PJS-M5M-SPC10

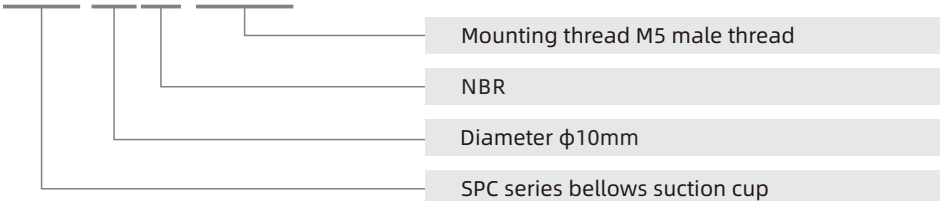


vacuum pad connection port specifications are matching

Suction cup + PJS series fitting for suction cup

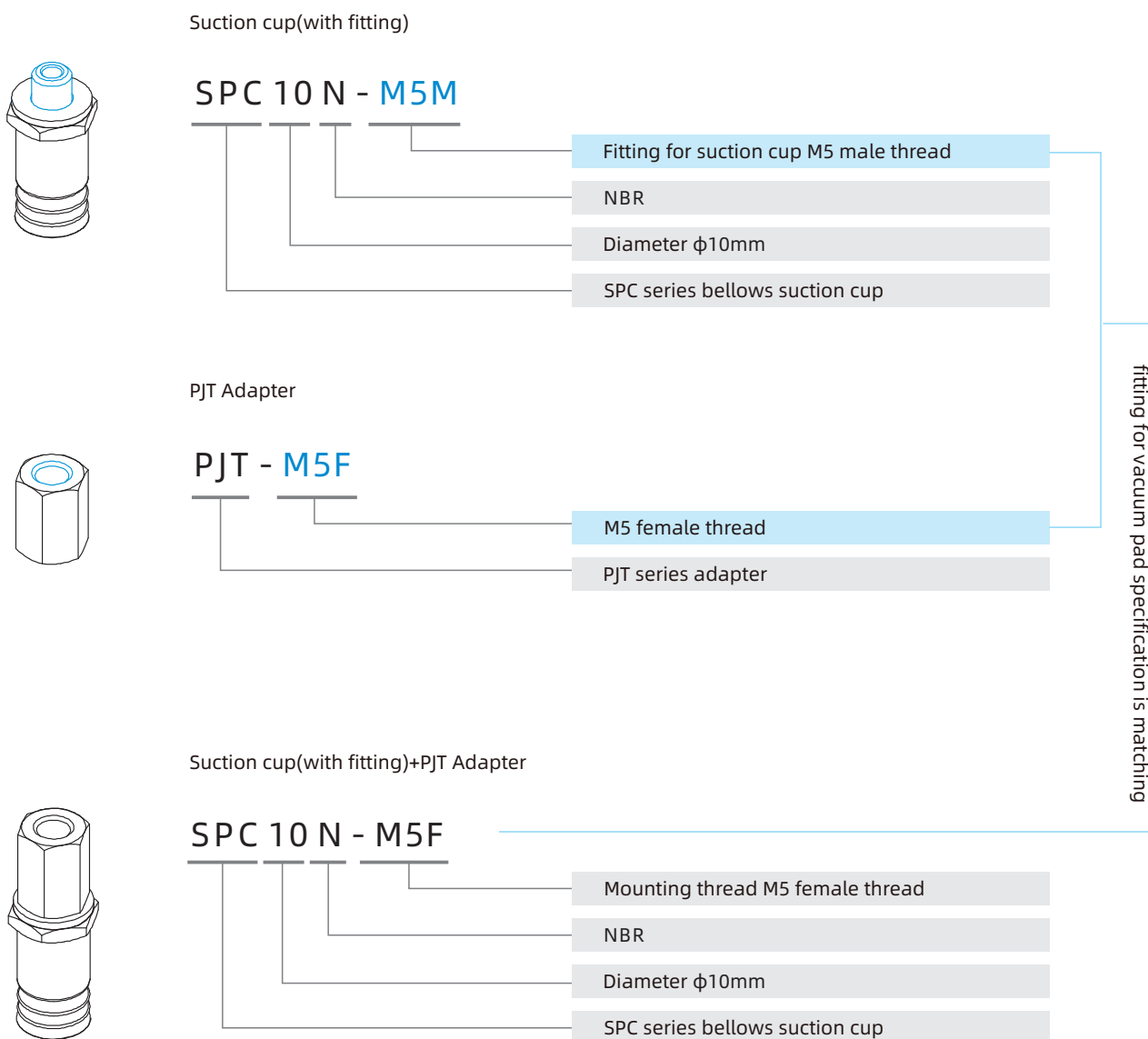


SPC 10 N - M5M



Note:1. For description of shape of fitting for suction cup which is non-integrated vulcanized with fitting(it means that suction cup can be changed separately), please refer to PJS series fitting for suction cup on page 10-11 or parts selection of each series of suction cups. For actual dimensions of fitting, please refer to PJS series 425-427
 2. All of fitting for non-integrated vulcanized suction cup can be found in instruction of each series, which is easy for customers to select model

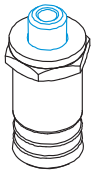
Suction cup(with fitting)+PJT adapter



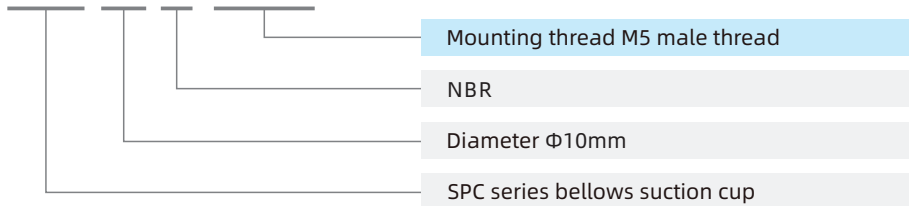
Note:1. The above example is fitting for suction cup changing from M5M to M5F
 2. Please refer to convertible specifications of PJT adapter on page 14, and real dimensions on page 428-429

Suction cup(with fitting)+PJF locking fitting

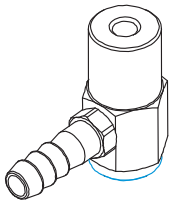
Suction cup(with fitting)



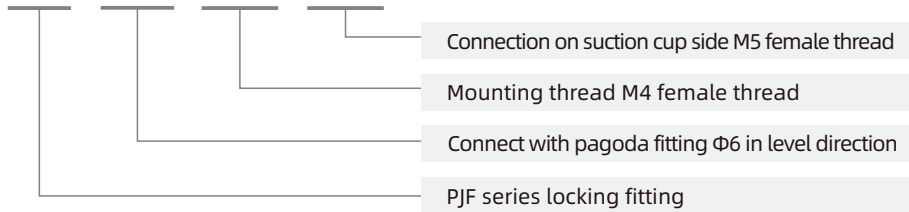
SPC 10 N - M5M



PJF Locking fitting

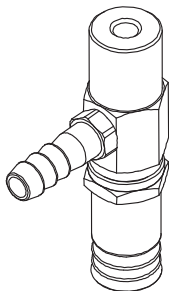


PJF - LB6 - M4F - M5F

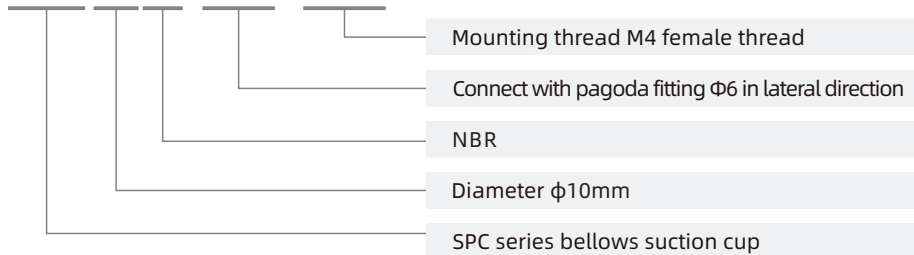


The specifications of fitting for suction cup matches

Suction cup(with fitting)+PJF Locking fitting



SPC 10 N - LB6 - M4F

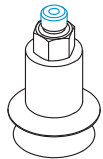


Note: 1. The above example is suction cup SPC10N with locking fitting PJF-LB6-M4F-M5F
 2. Please refer to detailed specifications of PJF adapter on page 430-431

Suction cup(with fitting)+adapter+level compensator(standard)

model /connection	M5M
SB5 - 15	●
SB17 - 40	-
SB50	-

◇ The above table is from page 267



Suction cup (with fitting)

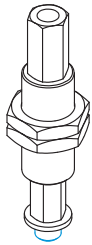
SB 15 N - M5M

- M5 male thread
- NBR
- Diameter φ15 mm
- SB series 1.5 bellows suction cup

Level compensator(E type)

PSP E - I 10 R M5M - M10

- Mounting nut M10
- M5 female thread connection
- Non-rotating type
- Buffer stroke 10 mm
- Buffer style: built-in spring
- Level compensator E type
- Fixed serial number of level compensator



Adapter (PJT series)

PJT - M5F

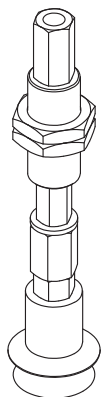
- M5 female thread
- T series universal mounting parts-adapter



Suction cup+Adapter+Level compensator

SB 15 N - E I 10 R - M10

- Mounting nut M10
- Non-rotating
- Buffer stroke 10 mm
- Buffer style: built-in
- Level compensator E type
- NBR
- Diameter φ15 mm
- SB series bellows suction cup



Not match

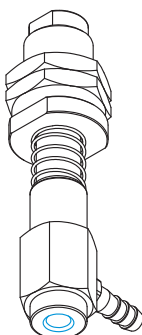
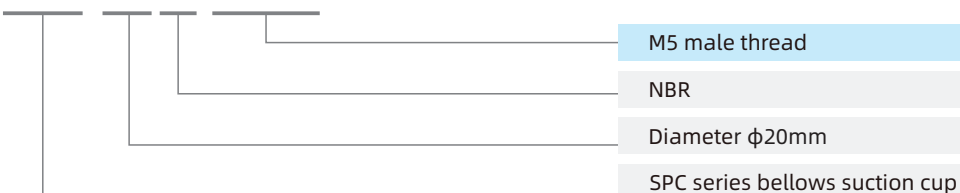
Switch

Suction cup(with fitting)+ Level compensator



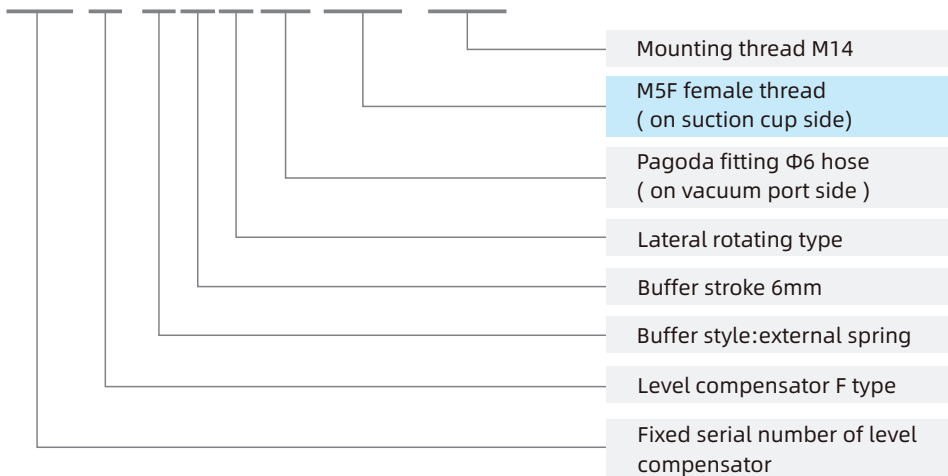
Suction cup (with fitting)

SPC 20 N - M5M

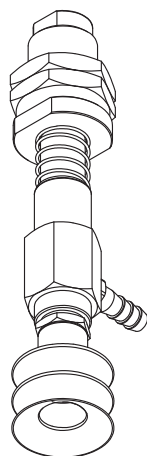


PSPF Level compensator

PSP F - E 6 L B6 M5F - M14

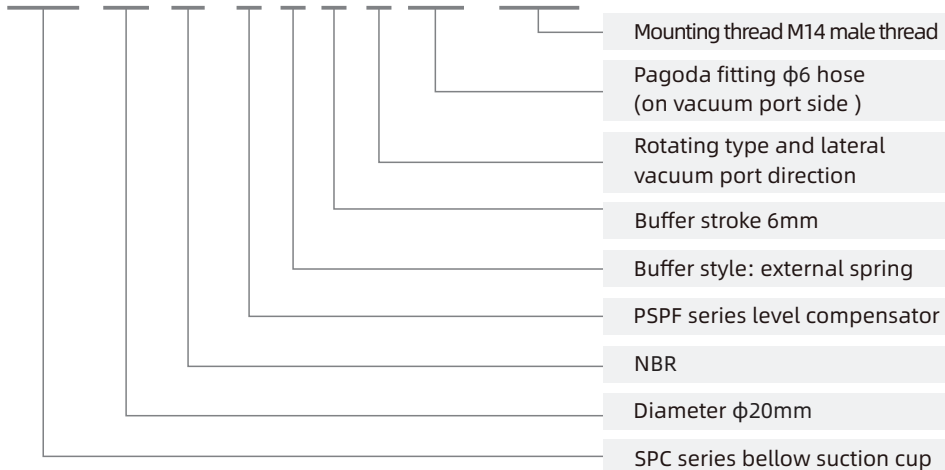


Specifications of fitting for suction cup matches



Suction cup(with fitting) +PSPF Level compensator

SPC 20 N - F E 6 L B6 - M14



Note: 1. The above example is suction cup SPC20N-M5M with level compensator PSPF-E6LB6M5F-M14
 2. Please refer to PSPF level compensator on page 422-423

Selection Instruction for Suction Cup +Level Compensator



Recommend applicable level compensators according to suction cups

Series	Size range	Recommend level compensator (AIRBEST standard)				
		PSPE	PSPT	PSPH	PSPF	PSPD
SB	5-15	●				
	17-75		●			
	110-150			●		
SBA	11-25	●				
	33-78		●			
SBB	All sizes			●		●
SBF	All sizes		●			
SBOF	All sizes		●			
SFT	15-24	●	●			
	30-40		●			
SFA	All sizes	●				
STP	All sizes		●			
SBL	15	●				
	20-50		●			
SBLP	30		●			
	40-50 *					
SF	15	●				
	20-75		●			
	110-200			●		●
	300*					●
SU	2-8	●				
	20-80		●			
SUF	All sizes	●				
SFG	All sizes			●		●
SFU	All sizes			●		●
STC	All sizes		●			
SFF	All sizes		●			
SFM	All sizes		●			
SDM	All sizes		●			
SHT	All sizes		●			
SOB	All sizes		●			
SOF	All sizes		●			
SOG	15x40	●				
	35x100		●			
SFP	All sizes		●			

Series	Size range	Recommend level compensator (AIRBEST standard)			
		PSPE	PSPT	PSPH	PSPF
SBP	10-15	●			
	20-70		●		
SXP	All sizes		●		
SGP	All sizes		●		
SDL	All sizes		●		
SZD	10-25	●			
	40	●	●		
SH	All sizes		●		
SHB	All sizes		●		
SZC	10-32	●			
	40-50	●	●		
SZU	2-32	●			
	40-50	●	●		
SZB	6-32	●			
	40-50	●	●		
SAN	All sizes	●			
SAO	All sizes	●			
SPA	All sizes				●
SPC	5-60				●
	90		●		
SPF	2-95				●
	120-200*				
SPJ	4-50				●
	60-80		●		●
SPU	10-50				●
	60-100		●		
SNP	50-75		●		
	68		●	●	
	140			●	
SOP	40-64		●		
	92		●	●	
	127-220			●	

Note:1. "●" means that selected suction cup directly matches the recommended level compensator
 2. "*" means that there is no level compensator directly for this item

Working Environment

Warning

1. Protection measures must be provided to ensure safety, if there is risk of falling
2. Because the connector of the vacuum device is not explosion-proof, the pressure in vacuum pipe which is 0.1MPa or more for a long time is not safe, please note
3. When there are two pieces or more suction cups connected to one vacuum generator, the workpiece may fall off if one of the suction cups failure
4. Do not use the products in the environment with corrosive gas, flammable gas, explosive gas, chemicals, seawater or steam, which are not allowed enter into the vacuum system
5. Don't block the ports of vacuum generators or increase the exhaust resistance, will otherwise it cause flow loss or vacuum reduction
6. Protective cover should be added when the equipment is exposed in sunlight directly
7. Avoid using the equipment in environment of excessive vibration, which may cause failure

Design/Setting

Note

1. Please pay attention to the vacuum level drop, it may be caused by the unstable air supply or power supply failure, and the workpiece may fall. Protective measures must be made
2. Check the mark of each port on vacuum generator, wrong connection to the vacuum system will damage the equipments
3. The supplied air to vacuum generator should be clean, and lubricant should not be used in the supplied air. Impurities or oil in compressed air will cause failure and reduce the performance
4. If there is leakage from workpiece or pipes, the vacuum flow will not be enough to hold the workpiece. If the connection pipe is too long or thick, the action time will be longer as the volume of pipe is increased
5. The effective sectional area of pipe for vacuum port should be selected according to the maximum vacuum flow of the vacuum generator. The effective sectional area of pipe for air supply port should be selected according to the maximum air consumption of the vacuum generator
6. The max. vacuum level, max. vacuum flow and air consumption are the values at the rated air supply pressure and under the test conditions. The values may differ to the weather, altitude as well as the test methods
7. Noise level is the value under the test conditions, but not a guaranteed value
8. Evacuation time is the time for evacuating 1L measuring vessel

Maintenance

Warning

1. Elements of silencer and filter elements should be maintained and examined regularly. Block in elements will reduce the performance or cause products damage
2. Need to study the components of vacuum generator before replacement.
3. Do not wash or spray equipment with water or solvents
4. In vacuum system, do not use lubricator in the front pipe of vacuum generator, dirties will be blocked in the nozzle and affect the performance of vacuum generator
5. Do not use PTFE tape for connection use (especially the fittings), this tape would fall off easily and block the pipe, affecting the performance of vacuum generator

Installation

Warning

1. Don't block the ports of vacuum generators or increase the exhaust resistance, otherwise it will cause flow loss or vacuum reduction
2. Do not remove the shell, the shell will be damaged or leaking if it's forced to shake or rotate
3. Do not use the equipment in the flammable or explosive environment, which may cause fire or explosion

How to use sponge suction cups

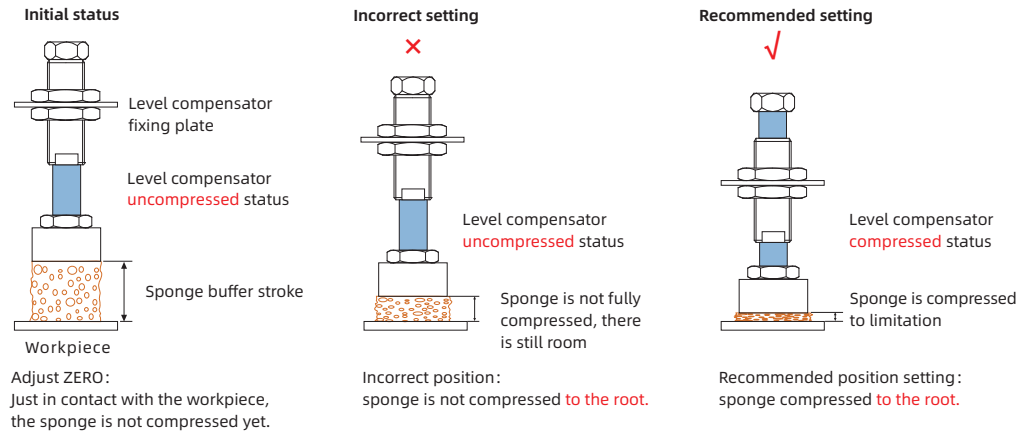
Sponge suction cup is a foamed rubber suction cup with fluffy structure and low porous density. Compared to other material, the tension of foam material itself is insufficient and it cannot be used as a buffer zone by its own deformation.

Therefore, when setting the compression stroke of the sponge suction cup, it needs to be closer to the suction cup itself and try to avoid pulling the sponge outward (internal compression does not affect the performance of the sponge). If there is a pulling trend, it will affect the service life of the sponge suction cup, and attention should be paid when using it. When using a sponge suction cup, ensure that the sponge is compressed to the root, generate a vacuum and ensure that the workpiece can be lifted after the vacuum is achieved.

Otherwise, relying on the sponge's own tension to extract the workpiece will cause the sponge to tear and the product to fail.

Recommended setting of workpiece distance for sponge suction cups, case description.

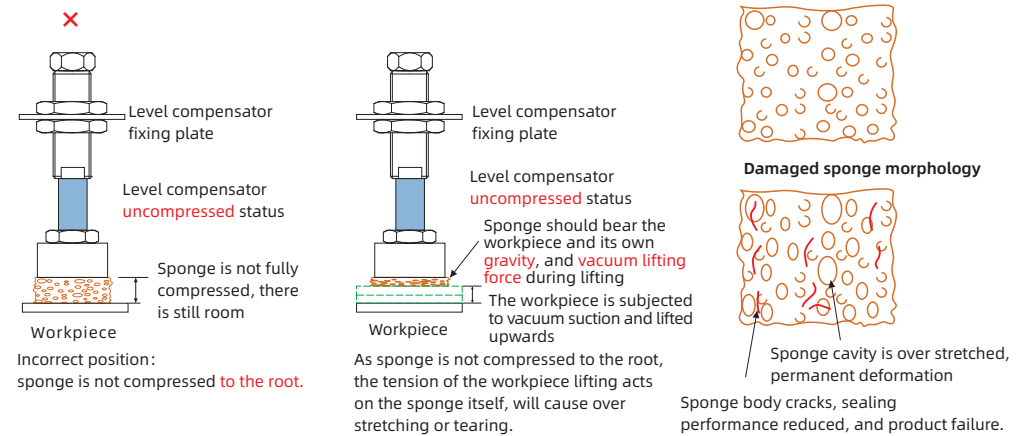
Sponge suction cups should be pressed to the root.



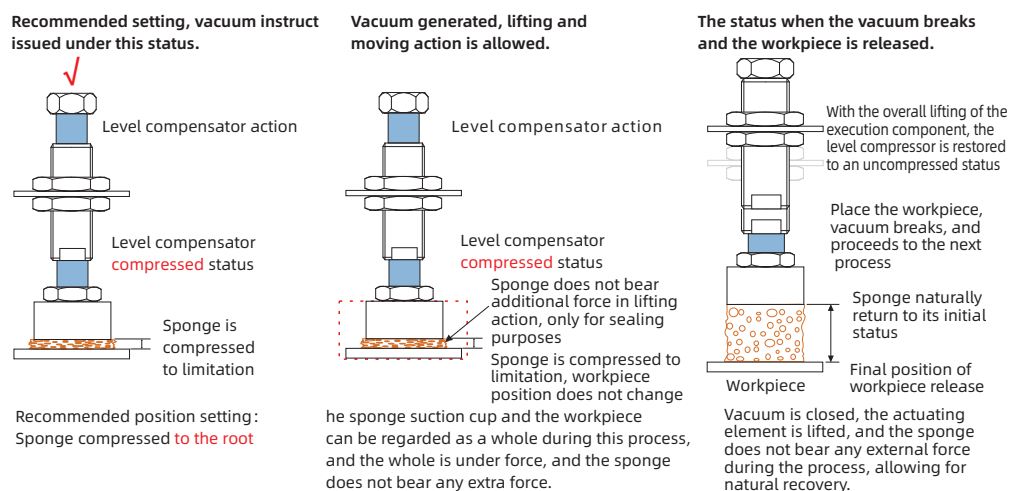
Incorrect settings can damage the sponge

Incorrect setting may cause tearing and failure of sponge suction cups, reducing product life.

Incorrect setting, vacuum instruct issued under this status



Recommended usage of sponge suction cups





B Vacuum Generators

Vacuum Generators Series

Products overview



Vacuum Generators

25 AZK Series

Integrated Vacuum Generator

- ◇ Max.vacuum level: -91kPa
- ◇ Max.vacuum flow: 68NL/min



ELECTRONICS PACKAGING PLASTIC



RoHS

54 AGB Series

Multistage Vacuum Generator

- ◇ Max.vacuum level: -90kPa
- ◇ Max.vacuum flow: 19.5NL/min



ELECTRONICS PACKAGING METAL SHEET



32 AZQ Series

Mini Integrated Vacuum Generator

- ◇ Max.vacuum level: -91kPa
- ◇ Max.vacuum flow: 35NL/min



ELECTRONICS PACKAGING PLASTIC



56 AGP Series

Multistage Vacuum Generator

- ◇ Max.vacuum level: -93kPa
- ◇ Max.vacuum flow: 68NL/min



ELECTRONICS PACKAGING METAL SHEET



36 AZX Series

Large flow Integrated Vacuum Generator

- ◇ Max.vacuum level: -85kPa
- ◇ Max.vacuum flow: 220NL/min



ELECTRONICS PACKAGING PLASTIC



58 AGX Series

Multistage Vacuum Generator

- ◇ Max.vacuum level: -95kPa
- ◇ Max.vacuum flow: 390NL/min



ELECTRONICS PACKAGING METAL SHEET



41 AZD Series

Energy-saving Vacuum Generator

- ◇ Max.vacuum level: -83kPa
- ◇ Max.vacuum flow: 90NL/min



UNIVERSAL



60 AGE Series

Mechanical Energy-saving Vacuum Generator

- ◇ Max.vacuum level: -92kPa
- ◇ Max.vacuum flow: 41NL/min



GLASS METAL SHEET



44 AGS Series

Multistage Vacuum Generator

- ◇ Max.vacuum level: -95kPa
- ◇ Max.vacuum flow: 372NL/min



ELECTRONICS PACKAGING METAL SHEET



63 ABM/ABX Series

Mini Vacuum Generator

- ◇ Max.vacuum level: -92kPa
- ◇ Max.vacuum flow: 220NL/min



METAL SHEET PACKAGING PLASTIC



Vacuum Generators Series

Products overview



Vacuum Generators

69 ABM/ABX Series

Mini Combined Type Vacuum Generator

- ◇ Max.vacuum level: -92kPa
- ◇ Max.vacuum flow: 32NL/min



98 AZW Series

Large Flow Integrated Vacuum Generator

- ◇ Max.vacuum level: -95kPa
- ◇ Max.vacuum flow: 140NL/min



BIO-PHARMACEUTICAL FOOD INDUSTRY



74 AMC Series

Multistage Vacuum Generator

- ◇ Max.vacuum level: -95kPa
- ◇ Max.vacuum flow: 1,650NL/min



RoHS

101 AZR Series

Mini Vacuum Generator With Fast Blow-off

- ◇ Max.vacuum level: -88kPa
- ◇ Max.vacuum flow: 12.5NL/min



ELECTRONICS PLASTIC



RoHS

80 AM/AL/AH Series

Multistage Vacuum Generator

- ◇ Max.vacuum level: -100.8kPa
- ◇ Max.vacuum flow: 1,230NL/min



RoHS

106 ABT Series

Mini Vacuum Generator

- ◇ Max.vacuum level: -92kPa
- ◇ Max.vacuum flow: 46NL/min



UNIVERSAL



88 AM/AL Series

Combined Type Multistage Vacuum Generator

- ◇ Max.vacuum level: -92kPa
- ◇ Max.vacuum flow: 3,970NL/min



RoHS

109 ABP Series

Vacuum Generator with Fast Blow-off

- ◇ Max.vacuum level: -81kPa
- ◇ Max.vacuum flow: 38NL/min



UNIVERSAL



94 AMD Series

Large Flow Vacuum Generator

- ◇ Max.vacuum level: -95kPa
- ◇ Max.vacuum flow: 1,410NL/min



UNIVERSAL



111 ABQ Series

Vacuum Generator with Fast Blow-off

- ◇ Max.vacuum level: -81kPa
- ◇ Max.vacuum flow: 38NL/min



UNIVERSAL



Vacuum Generators Series

Products overview



Vacuum Generators

113 AEVC Series

Vacuum Generator with Fast Blow-off

- ◇ Max.vacuum level: -85kPa
- ◇ Max.vacuum flow: 35NL/min



129 AZU Series

Basic Vacuum Generator

- ◇ Max.vacuum level: -85kPa
- ◇ Max.vacuum flow: 21NL/min



RoHS

116 AZL Series

Multistage Vacuum Generator

- ◇ Max.vacuum level: -84kPa
- ◇ Max.vacuum flow: 200NL/min



RoHS

132 ACV Series

Basic Vacuum Generator

- ◇ Max.vacuum level: -90kPa
- ◇ Max.vacuum flow: 350NL/min



RoHS

120 ALH Series

Basic Vacuum Generator

- ◇ Max.vacuum level: -90kPa
- ◇ Max.vacuum flow: 9.5NL/min



137 ASBP Series

Basic Vacuum Generator

- ◇ Max.vacuum level: -85kPa
- ◇ Max.vacuum flow: 72NL/min



RoHS

123 AZH Series

Basic Vacuum Generator

- ◇ Max.vacuum level: -88kPa
- ◇ Max.vacuum flow: 85NL/min



RoHS

140 ALS Series

Linear Single Stage Vacuum Generator

- ◇ Max.vacuum level: -85kPa
- ◇ Max.vacuum flow: 14.4NL/min



Vacuum Generators Series

Products overview



Vacuum Generators

143 ACP Series

Conveying Vacuum Generator

- ◇ Max.vacuum level: -84kPa
- ◇ Max.vacuum flow: 3,390NL/min



149 ACPS Series

Conveying Vacuum Generator

- ◇ Max.vacuum level: -12kPa
- ◇ Max.vacuum flow: 8,640NL/min



146 ACPF Series

Conveying Vacuum Generator

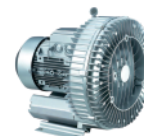
- ◇ Max.vacuum level: -35kPa
- ◇ Max.vacuum flow: 5,610NL/min



151 APB Series

High Pressure Vacuum Blower

- ◇ Max.vacuum level: -48kPa
- ◇ Max.vacuum flow: 1,110m³/h



AZK Series

Integrated Vacuum Generator

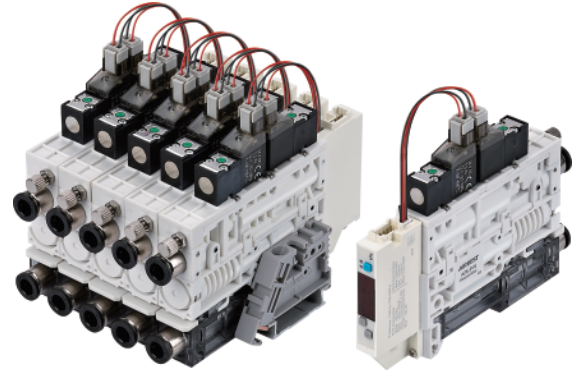


Features

- ◇ Energy-efficient nozzle design
- ◇ With energy-saving control device
- ◇ With normally open vacuum supply valve
- ◇ Small size and light weight. The volume is 85cm³
- ◇ Transparent filter housing
- ◇ Single body with L bracket, DIN guide rail installation for integrated body, centralized air supply

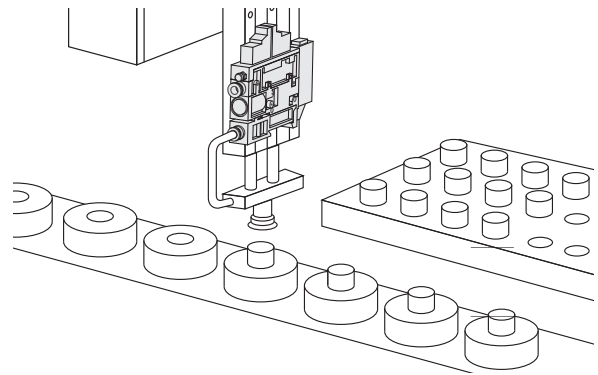
Advantages

- ◇ Vacuum flow increased by 50% and air consumption decreased by 30%
- ◇ Air consumption reduced by 90%(compared with non-energy saving type)
- ◇ Power outage or power off does not affect vacuum producing and prevent the workpiece from falling
- ◇ The device is compact and can be installed directly in the handling system
- ◇ The cleanliness is visible and easy to replace
- ◇ Simple installation, can be installed directly on the distribution box



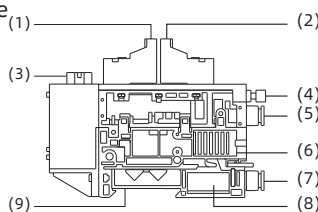
Applications

- ◇ Integrated vacuum generator for handling airtight and slightly porous workpieces
- ◇ Vacuum producing and monitoring in automation systems
- ◇ For robot handling applications and linear axes
- ◇ Pick and place applications with very short time
- ◇ Used for systems that require high dynamic handling of workpieces and with limited space
- ◇ Usually used for handling small parts in fully automated systems



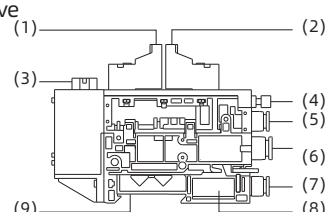
Structure - With vacuum source type (Vacuum generator type)

- ◇ (1) Vacuum supply valve
- ◇ (2) Vacuum release valve
- ◇ (3) Vacuum pressure switch
- ◇ (4) Vacuum release adjusting valve
- ◇ (5) Air supply port
- ◇ (6) Silencer
- ◇ (7) Vacuum port
- ◇ (8) Vacuum filter
- ◇ (9) DIN guide rail installation



Structure - Without vacuum source type (Vacuum pump type)

- ◇ (1) Vacuum supply valve
- ◇ (2) Vacuum release valve
- ◇ (3) Vacuum pressure switch
- ◇ (4) Vacuum release adjusting valve
- ◇ (5) Air supply port
- ◇ (6) Vacuum pump connector
- ◇ (7) Vacuum port
- ◇ (8) Vacuum filter
- ◇ (9) DIN guide rail installation



Vacuum Generator

- AZK
- AZQ
- AZX
- AZD
- AGS
- AGB
- AGP
- AGX
- AGE
- ABM/ABX
- ABM/ABX Combined Type
- AMC
- AM/AL/AH
- AM/AL Combined Type
- AMD
- AZW
- AZR
- ABT
- ABP
- ABQ
- AEVC
- AZL
- ALH
- AZH
- AZU
- ACV
- ASBP
- ALS
- ACP
- ACPF
- ACPS
- APB

AZK Series

Integrated Vacuum Generator

How to order

AZK - S × 8 - NO - N - D
 ① ② ③ ④ ⑤ ⑥

① Series	② Specification	③ Stack	④ Control valve specification
AZK	S - Low vacuum level type	Nil - Single body	Nil - Supply valve NC + release valve NC
	X - High vacuum level type	2	NO - Supply valve NO + release valve NC
	P - Low air supply pressure and high vacuum level type	3	(lead wire length 300mm, power supply DC24V)
	L - Large flow type	
	B - Vacuum pump type	8	

⑤ Vacuum switch	⑥ Bracket
Nil - Without vacuum switch	Nil - Single air supply, without bracket
N - NPN, without energy saving function	F - Single air supply, with bracket(single body)
P - PNP, without energy saving function	D - Single air supply, guide rail installation(integrated)
NE - NPN, with energy saving function	DP - Centralized air supply, guide rail installation(integrated)
PE - PNP, with energy saving function	

- ◇ Note: 1. Only NE/PE are with check valve for energy saving, others are without check valve
 2. Energy saving function is not optional for L-large flow type and B-Vacuum pump type
 3. Centralized air supply is not optional for B-Vacuum pump type

Technical parameters

Model	Air supply pressure range bar	Rated air supply pressure bar	Max. vacuum level -kPa	Max. vacuum flow NL/min	Max. break flow rate NL/min	Air consumption NL/min	Noise level dB(A)	Weight g		Recommended hose dia.(mm)		
								Without pressure switch	With pressure switch	Air supply port P	Vacuum pump connector	Vacuum port V
AZK-S	3.0~6.0	6.0	74	44	60	26	65~70	88.5	102.5	φ6	-	φ6
AZK-X	3.0~6.0	5.0	91	41	54	29	65~70	88.5	102.5	φ6	-	φ6
AZK-P	3.0~6.0	3.7	88	40	46	32	65~70	88.5	102.5	φ6	-	φ6
AZK-L	3.0~6.0	5.0	90	68	48	85	74~80	102	114	φ6	-	φ8
AZK-B	3.0~6.0	-	-	35	-	-	-	101.5	113.5	φ4	φ6	φ6

- ◇ Note: 35NL/min is the max. allowed passing flow of AZK-B, AZK-L external silencer

AZK Series

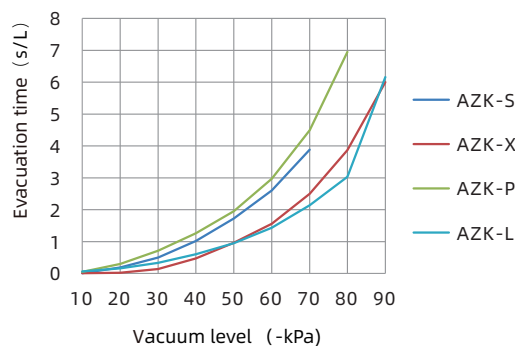
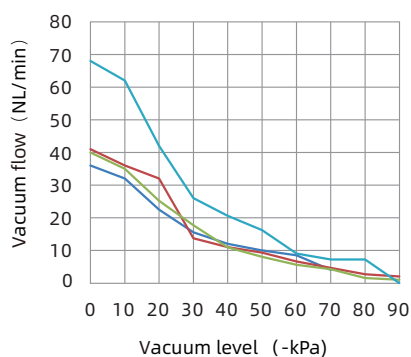
Integrated Vacuum Generator

Vacuum flow(NL/min) at different vacuum levels(-kPa)

Model	Air supply pressure bar	Air consumption NL/min	0	10	20	30	40	50	60	70	80	90	Max. vacuum level -kPa
AZK-S	6.0	26	44.0	38.0	32.0	22.0	12.0	10.0	8.5	4.0	-	-	74
AZK-X	5.0	29	41.0	36.0	26.0	13.7	11.0	9.3	6.6	4.6	2.7	2.0	91
AZK-P	3.7	32	40.0	35.0	25.2	17.7	10.9	8.0	5.6	4.2	1.5	1.0	88
AZK-L	5.0	85	68.0	62.0	42.0	26.0	20.6	16.2	9.0	7.2	7.2	5.0	90

Evacuation time(s/L) to reach different vacuum levels(-kPa)

Model	Air supply pressure bar	Air consumption NL/min	10	20	30	40	50	60	70	80	90	Max. vacuum level -kPa
AZK-S	6.0	26	0.01	0.19	0.50	1.02	1.72	2.60	3.88	-	-	74
AZK-X	5.0	29	0.02	0.14	0.47	0.96	1.56	2.50	3.87	6.00	-	91
AZK-P	3.7	32	0.05	0.30	0.71	1.26	1.95	2.97	4.49	6.95	-	88
AZK-L	5.0	85	0.06	0.16	0.33	0.60	0.95	1.43	2.14	3.03	6.16	90



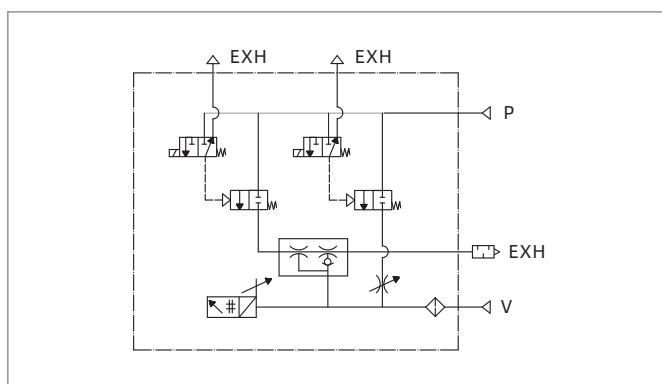
AZK Series

Integrated Vacuum Generator

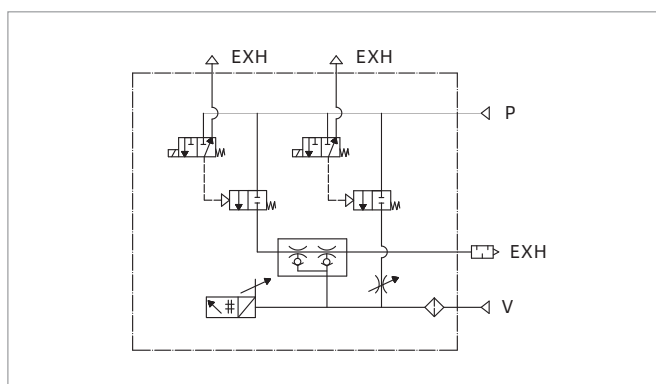
Technical parameters - Pressure switch

Model	ZPDC-□	ZPDC-□-E
Pressure range	-100~100kPa	-100~100kPa
Setting pressure range	-105~105kPa	-105~105kPa
Proof pressure	500kPa	500kPa
General gas	Air, Non-corrosive, non flammable gas	Air, Non-corrosive, non flammable gas
Power supply voltage	24V DC±10%, RIPPLE (P-P) 10% or less	24V Dc±10%, RIPPLE(P-P)10%or less
Current consumption	≤40mA(Without load)	≤40mA (Without load)
Switch output Output mode	2NPN or 2PNP open collector output+1~5V linear analog output	1NPN or 1PNP open collector output
Max. load current	125mA	125mA
Max. supply voltage	30V DC (NPN) 24V DC (PNP)	24V DC
Residual voltage	≤1.5V	≤1.5V
Response time	≤2.5ms (chattering-proof function: 25ms, 100ms, 250ms, 500ms, 1000ms, 1500ms selectable)	≤2.5ms (chattering-proof function: 2.5ms, 20ms, 100ms, 500ms, 1000ms, 1999ms selectable)
Output short circuit protection	Yes	OUT switch:Yes;V-Sol/D-Sol:No
Repeatability	±0.2%F.S.±1 digit	
Display	3½LED 7 segment display (Red) display (Sampling rate: 5 times/sec)	
Indicator accuracy	±2% F.S. ±1 digit	
Switch ON indicator	OUT1:Green/OUT2:Red	
Environmental resistance IP Grade	IP40	
Ambient temp.range	Operation: 0~50°C	
Withstand voltage	1000VAC in 1minute (between case and lead wire)	
Insulation resistance	50MΩ min. (at 500V DC, between case and lead wire)	
Temperature characteristic	±2%F.S. (at temperature range of 0~50°C)	
Lead wire	Oil proof PVC cable (0.15mm ²)	

Air circuit schematic diagram



AZK-□-N AZK-□-P



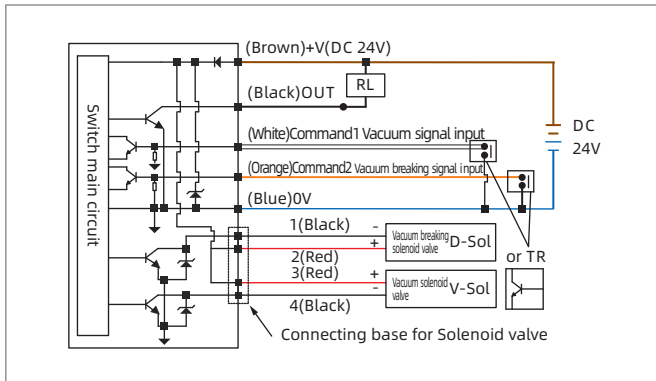
AZK-□-NE AZK-□-PE

AZK Series

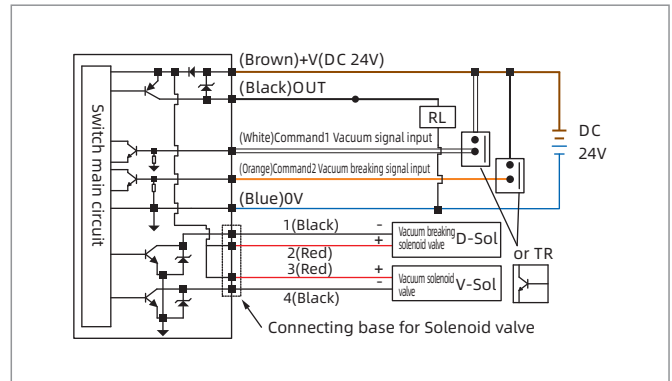
Integrated Vacuum Generator



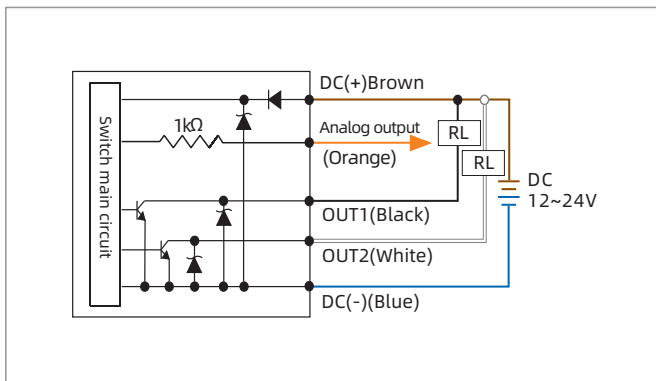
Output circuit wiring diagrams



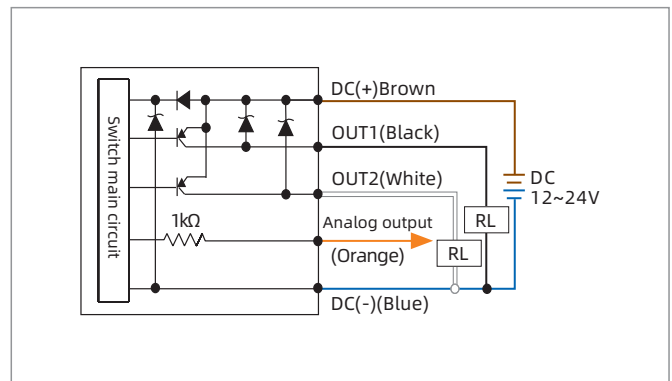
ZPDC-N-E NPN output



ZPDC-P-E PNP output

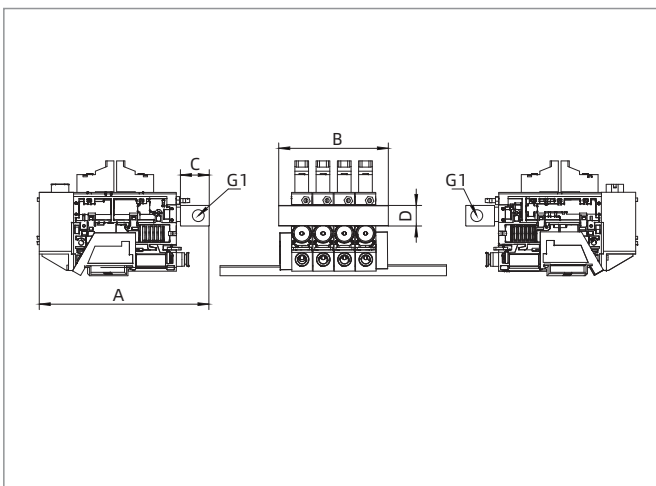


ZPDC-N 2NPN+1 Analog voltage output(1~5V)



ZPDC-P 2PNP+1 Analog voltage output(1~5V)

Centralized air supply dimensions(mm)



Stack	A	B	C	D	G1
2	124	49	21	15	G1/8
3	124	64.5	21	15	G1/8
4	124	80	21	15	G1/8
5	124	95.5	21	15	G1/8
6	124	111	21	15	G1/8
7	124	126.5	21	15	G1/8
8	124	142	21	15	G1/8

Max.number of manifold stations that can operate simultaneously	AZK-X	AZK-P	AZK-S	AZK-L
Air supply from one side	6	6	6	4
Air supply from both sides	8	8	8	8

Vacuum Generator

AZK

AZQ

AZX

AZD

AGS

AGB

AGP

AGX

AGE

ABM/ABX

ABM/ABX Combined Type

AMC

AM/AL/AH

AM/AL Combined Type

AMD

AZW

AZR

ABT

ABP

ABQ

AEVC

AZL

ALH

AZH

AZU

ACV

ASBP

ALS

ACP

ACPF

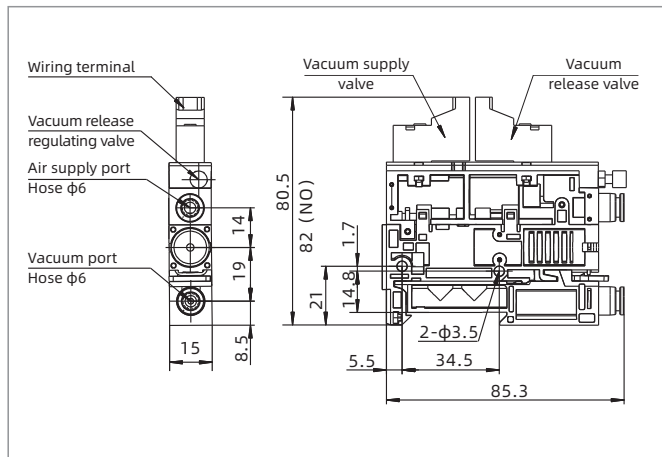
ACPS

APB

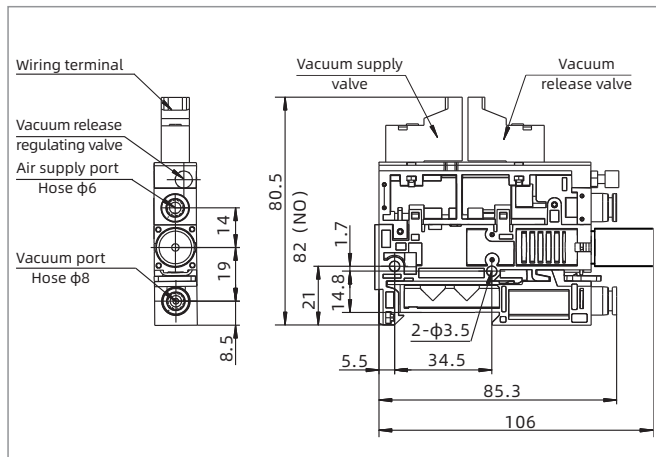
AZK Series

Integrated Vacuum Generator

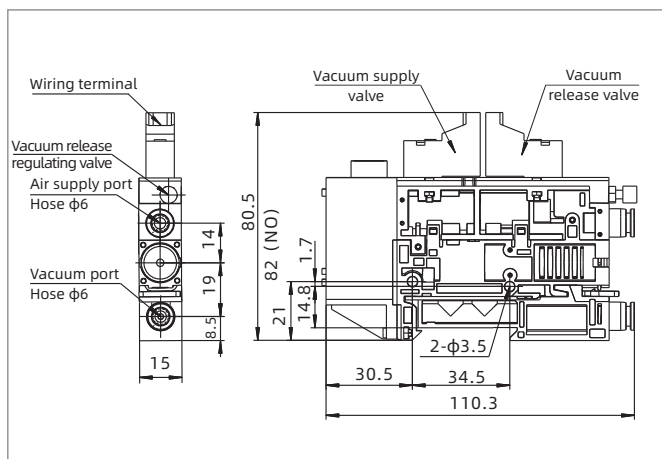
Dimensions(mm)



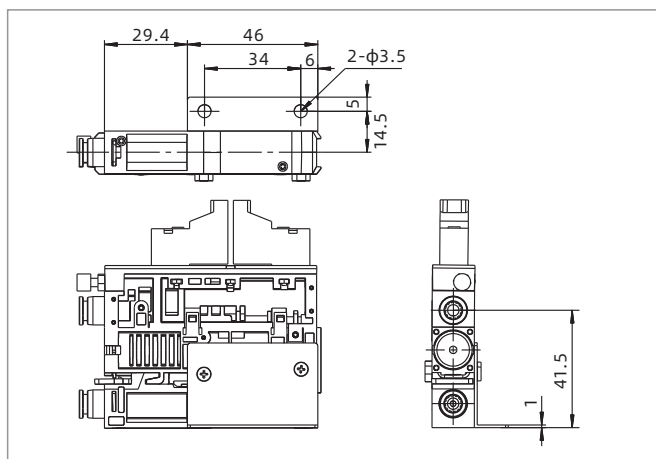
AZK-□ Single body



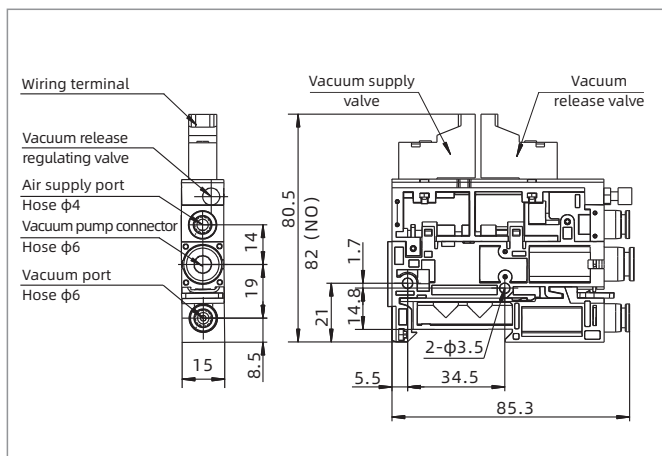
AZK-L Single body



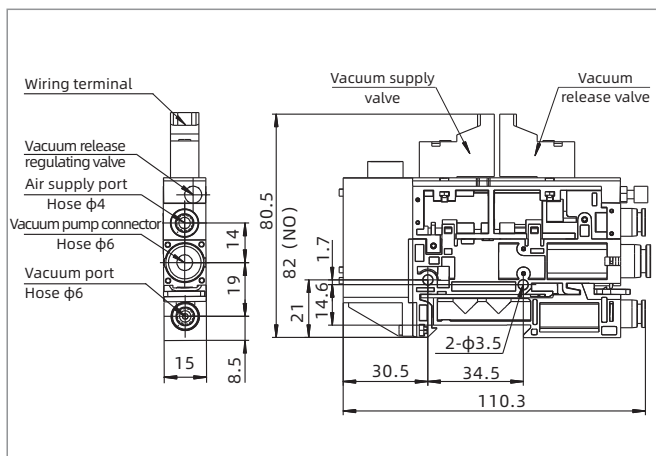
AZK-□-□ Single body with pressure switch



AZK-□-F Single body with mounting bracket



AZK-B Single body

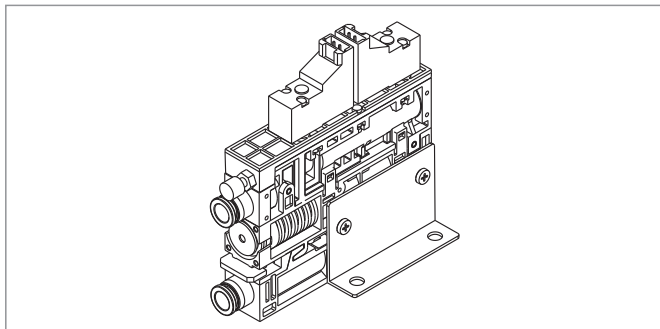


AZK-B-□ Single body with pressure switch

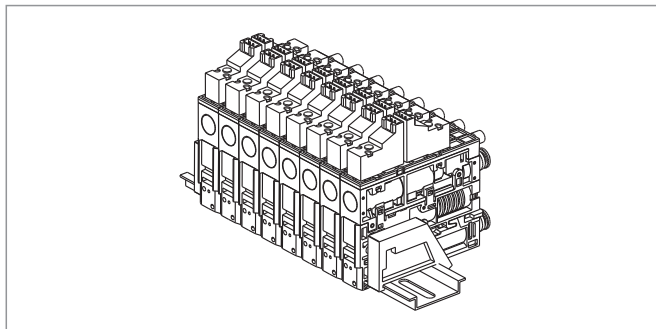
AZK Series

Integrated Vacuum Generator

Installation diagram

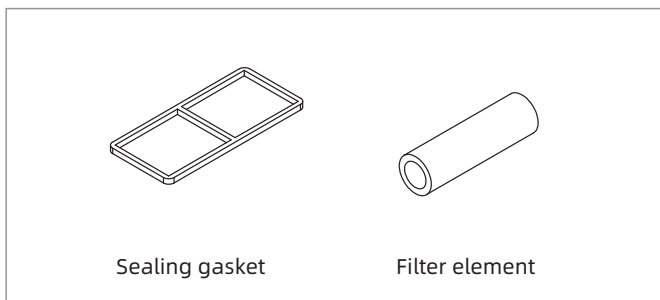


Mounting with bracket for single body



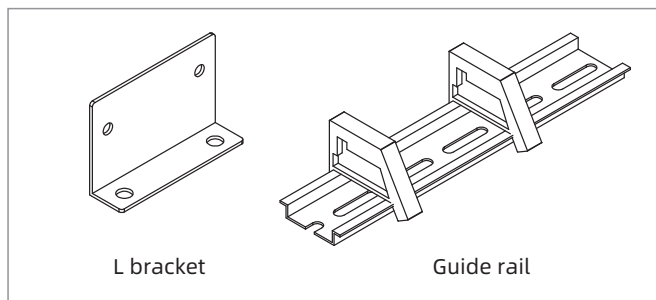
Mounting with DIN guide rail for combined type

Repair kits



Sealing gasket

Filter element



L bracket

Guide rail

Item	Model	Remark
Filter parts	AZK-FE	Filter element + sealing gasket
Solenoid valve leadwire	AZK-N	Plug lead wire length 300mm
Energy-saving leadwire	AZK-NE	Ends lead wire
Bracket mounting parts	AZK-F	L bracket+M3.5x20screw/nut(2 pcs each)
Guide rail mounting parts(2-3 layers)	AZK-2-D	Length 130mm
Guide rail mounting parts(4-5 layers)	AZK-4-D	Length 165mm
Guide rail mounting parts(6-7 layers)	AZK-6-D	Length 200mm
Guide rail mounting parts(8 layers)	AZK-8-D	Length 235mm

AZQ Series

Mini Integrated Vacuum Generator



ELECTRONICS



PACKAGING



PLASTIC

Features

- ◇ Multi-nozzle design
- ◇ Small size and light weight. The volume is 43.5cm³
- ◇ Centralized air supply
- ◇ No noise (vacuum pump type)
- ◇ With digital vacuum pressure switch

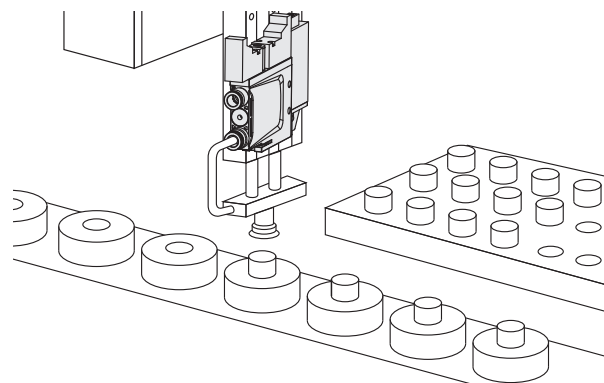
Advantages

- ◇ The device is compact and can be installed directly in the handling system
- ◇ Simple installation, can be installed directly on the distribution box
- ◇ Vacuum pump type is suitable for centralized vacuum station system



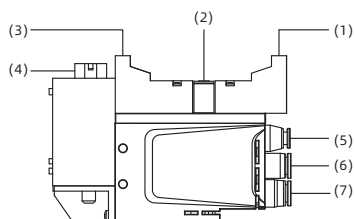
Applications

- ◇ Vacuum producing and monitoring in automation systems
- ◇ For robot handling applications and linear axes
- ◇ Pick and place applications with very short time
- ◇ Used for systems that require high dynamic handling of workpieces and with limited space
- ◇ Usually used for handling small parts in fully automated systems



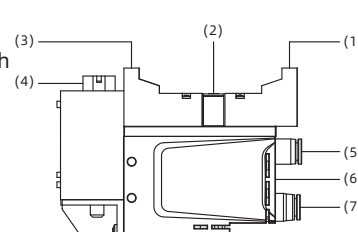
Structure - Without vacuum source type (Vacuum pump type)

- ◇ (1) Vacuum release valve
- ◇ (2) Vacuum release adjusting valve
- ◇ (3) Vacuum supply valve
- ◇ (4) Vacuum pressure switch
- ◇ (5) Air supply port
- ◇ (6) Vacuum pump connector
- ◇ (7) Vacuum port



With vacuum source type (Vacuum generator type)

- ◇ (1) Vacuum release valve
- ◇ (2) Vacuum release adjusting valve
- ◇ (3) Vacuum supply valve
- ◇ (4) Vacuum pressure switch
- ◇ (5) Air supply port
- ◇ (6) Exhaust port
- ◇ (7) Vacuum port



AZQ Series

Mini Integrated Vacuum Generator

How to order

AZQ - T × 8 - N - DP
 ① ② ③ ④ ⑤

① Series	② Specifications	③ Stack	④ Vacuum switch	⑤ Air supply
AZQ	X - High vacuum level type T - Large flow type B - Vacuum pump type	Nil - Single body 2 3 10	N - 2NPN output+1 analog output (1~5V) P - 2PNP output+1 analog output (1~5V)	Nil - Individual air supply DP - Centralized air supply

◇ Note: 1. It is recommended to install an air filter with a filtration accuracy of 5um or less for positive pressure air supply of the vacuum generator (without the need for an oil mist filter)
 2. For vacuum pump type, the recommended stack quantity is 6PCs. The maximum vacuum flow rate will be a decrease if there is stack Bx7 and Bx8. Please refer to the following parameters:
 31NL/min is the max.allowed passing flow of single stack of AZQ-Bx7
 28NL/min is the max.allowed passing flow of single stack of AZQ-Bx8

Technical parameters

Model	Air supply pressure range bar	Rated air supply pressure bar	Max. vacuum level -kPa	Max. vacuum flow NL/min	Air consumption NL/min	Noise dB(A)	Weight g	Recommended hose dia.(mm)	Air supply port P	Vacuum port V	Vacuum pump connector
AZQ-X	3.0~6.0	5.0	91	12	8.2	64~70	75.4	φ6	φ6	φ6	-
AZQ-T	3.0~6.0	4.5	84	16	15.5	64~70	75.4	φ6	φ6	φ6	-
AZQ-B	3.0~6.0	-	-	35(Note)	-	-	78.2	φ4	φ6	φ6	φ6

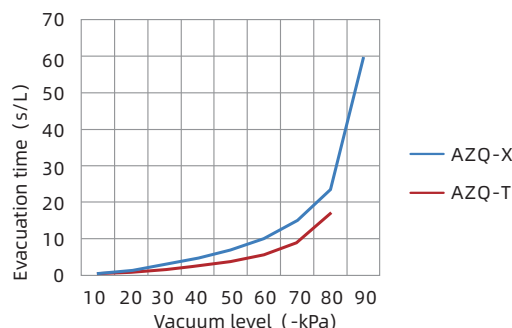
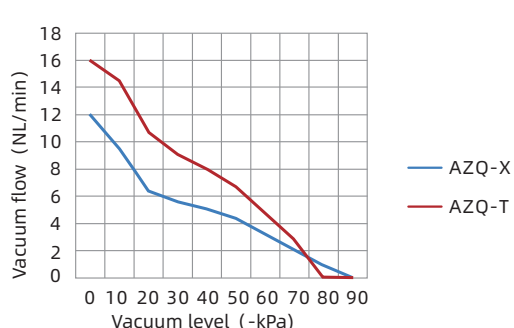
◇ Note: 35NL/min is the max.allowed passing flow of single stack of AZQ-Bx6

Vacuum flow(NL/min) at different vacuum levels(-kPa)

Model	Air supply pressure bar	Air consumption NL/min	0	10	20	30	40	50	60	70	80	90	Max. vacuum level -kPa
AZQ-X	5.0	8.2	12	9.5	6.4	5.6	5.1	4.4	3.2	2.1	0.9	-	90
AZQ-T	4.5	15.5	16	14.5	10.7	9.1	8.0	6.7	4.8	2.8	-	-	84

Evacuation time(s/L) to reach different vacuum levels(-kPa)

Model	Air supply pressure bar	Air consumption NL/min	10	20	30	40	50	60	70	80	90	Max. vacuum level -kPa
AZQ-X	5.0	8.2	0.49	1.37	2.90	4.70	6.98	10.03	14.90	23.20	59.52	90
AZQ-T	4.5	15.5	0.34	0.76	1.51	2.40	3.76	5.61	8.94	16.86	-	84



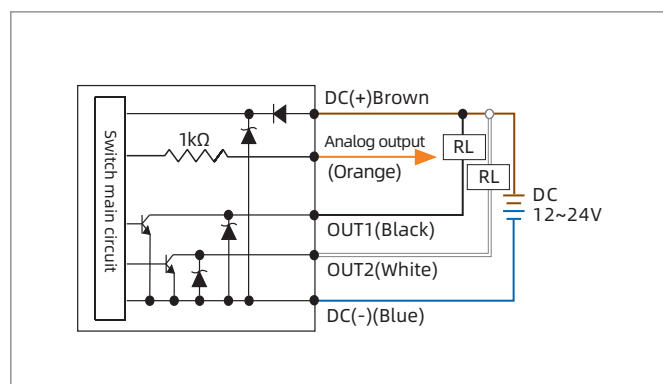
AZQ Series

Mini Integrated Vacuum Generator

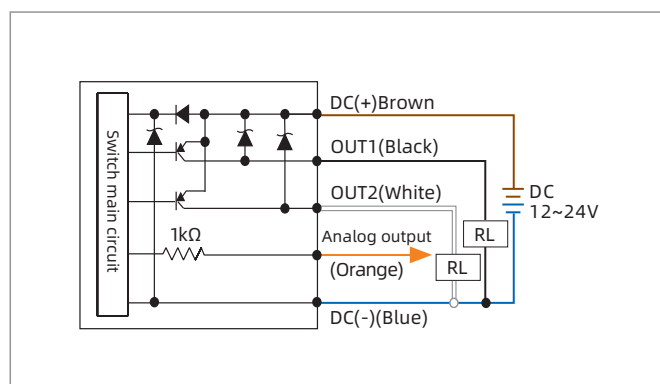
Technical parameters - Pressure switch

Model	ZPDC-□
Pressure range	-100~100kPa
Setting pressure range	-105~105kPa
Proof pressure	500kPa
General gas	Air, Non-corrosive, non flammable gas
Power supply voltage	12-24V DC±10%, RIPPLE (P-P) 10% or less
Current consumption	≤40mA(Without load)
Switch output Output mode	2NPN or 2PNP open collector output+1~5V linear analog output
Max. load current	125mA
Max. supply voltage	30V DC (NPN) 24V DC (PNP)
Residual voltage	≤1.5V
Response time	≤2.5ms (chattering-proof function: 25ms, 100ms, 250ms, 500ms, 1000ms, 1500ms selectable)
Output short circuit protection	Yes
Repeatability	±0.2%F.S.±1 digit
Display	3½LED 7 segment display (Red) display (Sampling rate: 5 times/sec)
Indicator accuracy	±2% F.S. ±1 digit At ambient temperature: 25±3°C
Switch ON indicator	OUT1:Green/OUT2:Red
Environmental resistance IP Grade	IP40
Ambient temp.range	Operation: 0~50°C
Withstand voltage	1000VAC in 1minute (between case and lead wire)
Insulation resistance	50MΩ min. (at 500V DC, between case and lead wire)
Temperature characteristic	±2%F.S. (at temperature range of 0~50°C)
Lead wire	Oil proof PVC cable (0.15mm ²)

Output circuit wiring diagrams



ZPDC-N 2NPN+1 Analog voltage output (1-5V)

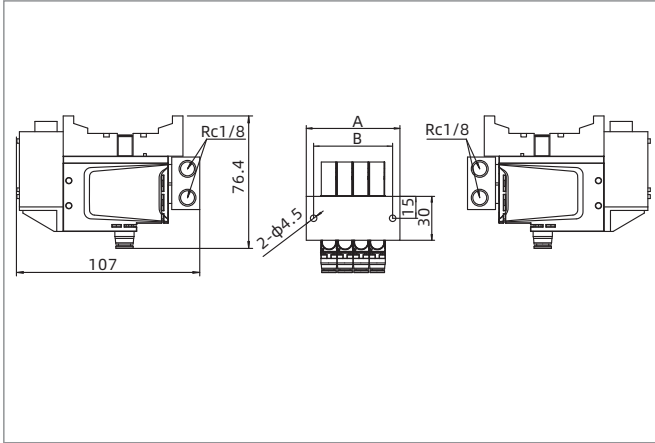


ZPDC-P 2PNP+1 Analog voltage output (1-5V)

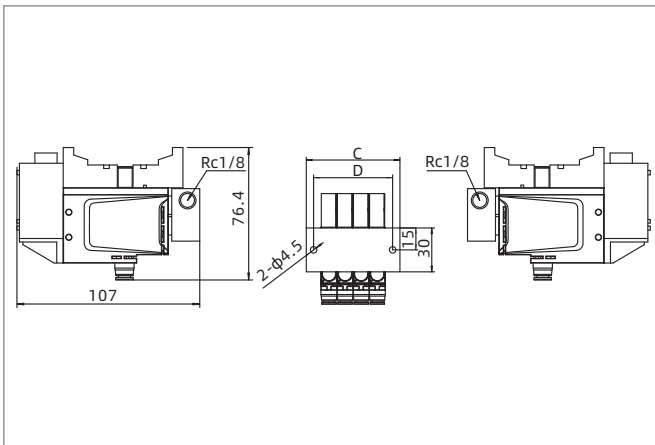
AZQ Series

Mini Integrated Vacuum Generator

Centralized air supply dimensions(mm)



Vacuum pump type

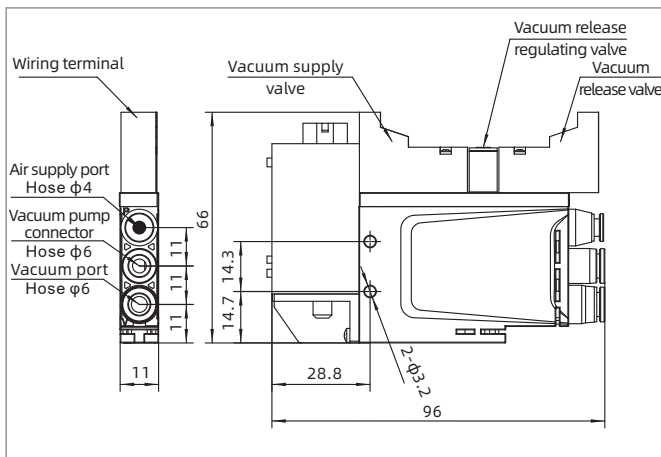


Vacuum generator type

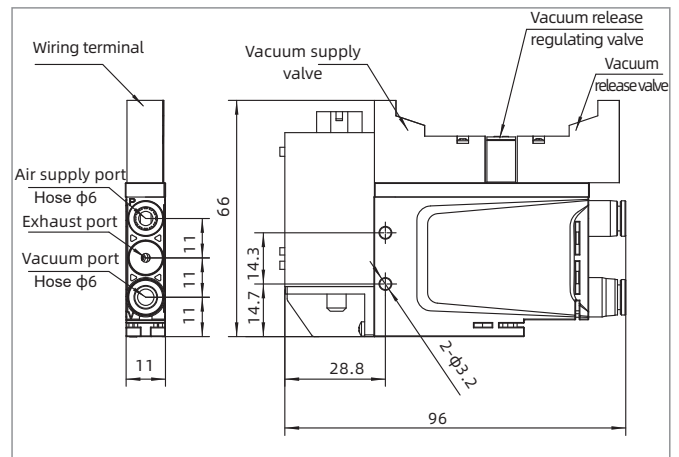
Stack	A	B	C	D
2	45.5	32.5	45.5	32.5
4	68.5	55.5	68.5	55.5
6	91.5	78.5	91.5	78.5
8	114.5	101.5	114.5	101.5
10	-	-	137.5	124.5

- ◇ Note: 1. 31NL/min is the max. allowed passing flow of single stack of AZQ-Bx7
- 2. 28NL/min is the max. allowed passing flow of single stack of AZQ-Bx8
- 3. AZQ-X/T/B dual integrated vacuum generator is a standard product, while using single piece with dual centralized gas supply, vacant port should be blocked.
- 4. While using 5 pieces or more AZQ-B for integrating, recommend air supply on both sides

Dimensions(mm)



AZQ-B-□ Single body of vacuum pump type



AZQ-□-□ Single body of vacuum generator type

Vacuum Generator

AZK

AZQ

AZX

AZD

AGS

AGB

AGP

AGX

AGE

ABM/ABX

ABM/ABX Combined Type

AMC

AM/AL/AH

AM/AL Combined Type

AMD

AZW

AZR

ABT

ABP

ABQ

AEVC

AZL

ALH

AZH

AZU

ACV

ASBP

ALS

ACP

ACPF

ACPS

APB

AZX Series

Large Flow Integrated Vacuum Generator



ELECTRONICS



PACKAGING



PLASTIC

Features

- ◇ Energy-efficient nozzle design
- ◇ Integrated with control valve, vacuum gauge and regulating valve
- ◇ Modular design

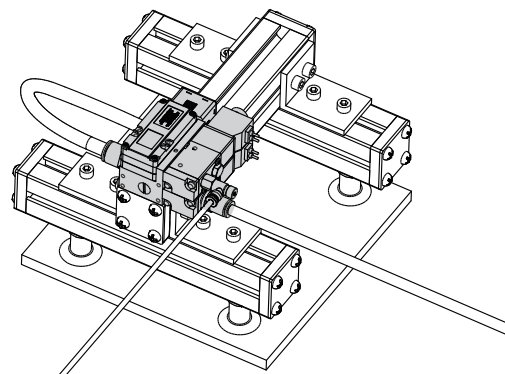
Advantages

- ◇ Large vacuum flow can be produced under the condition of low air consumption
- ◇ Integrated design, saving piping and wiring, controlling setting time, etc.
- ◇ High reliability and stability



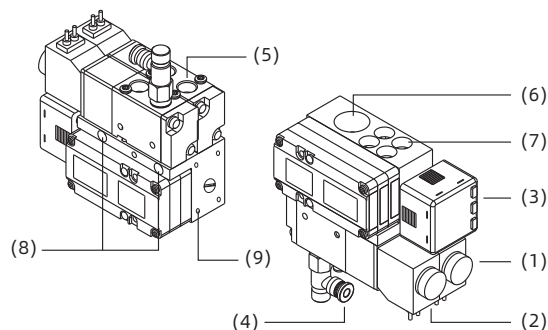
Applications

- ◇ Integrated vacuum generator for handling porous workpieces
- ◇ Vacuum producing and monitoring in automation systems
- ◇ For robot handling applications and linear axes
- ◇ Pick and place applications with very short time
- ◇ Used for systems that require high dynamic handling of workpieces and with limited space



Structure

- ◇ (1) Vacuum supply valve
- ◇ (2) Vacuum release valve
- ◇ (3) Vacuum pressure switch
- ◇ (4) Release port
- ◇ (5) Air supply port
- ◇ (6) Vacuum port
- ◇ (7) Exhaust port
- ◇ (8) Mounting hole
- ◇ (9) Threaded mounting hole



AZX Series

Large Flow Integrated Vacuum Generator

How to order

AZX 20 - N

① ② ③

① Series	② Specification	③ Vacuum switch
AZX	20 30	N - 1NPN output+1 analog voltage output (1-5V) P - 1PNP output+1 analog voltage output (1-5V)

Selection

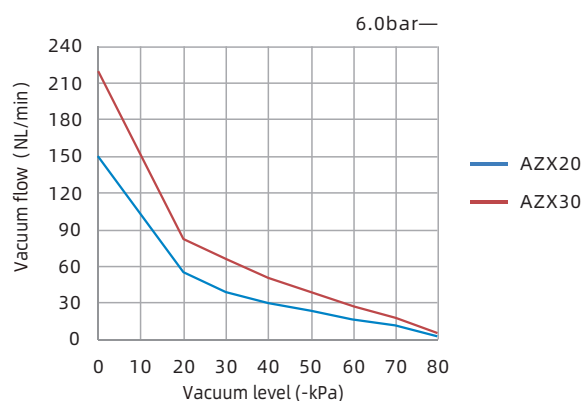
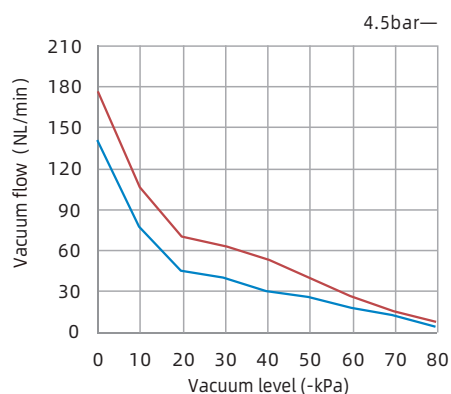
Model/ Vacuum switch N	P
AZX20-N	AZX20-P
AZX30-N	AZX30-P

Technical parameters

Model	Air supply pressure range bar	Max. vacuum level -kPa	Max. vacuum flow NL/min	Air consumption NL/min	Noise level dB(A)	Weight g	Recommended hose dia. mm	
							Air supply port P	Vacuum port V
AZX20	4.5~6.0	85	141~150	55~85	60~70	411	φ8	φ12
AZX30	4.5~6.0	85	175~220	87~125	60~70	424	φ10	φ12

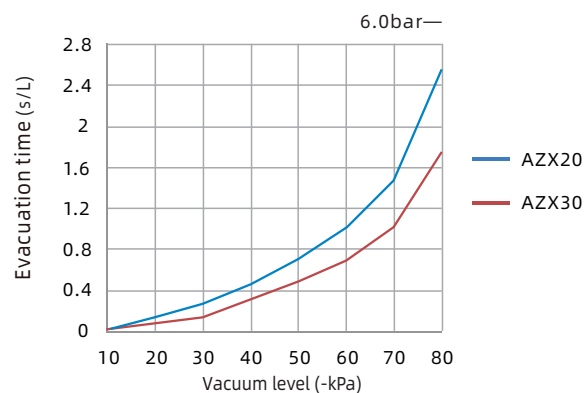
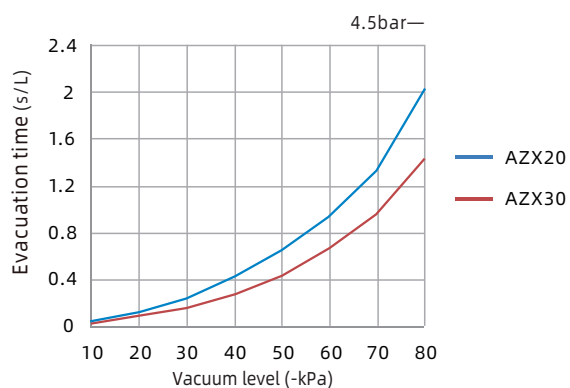
Vacuum flow(NL/min) at different vacuum levels(-kPa)

Model	Air supply pressure bar	Air consumption NL/min	Vacuum level (-kPa)										Max. vacuum level -kPa
			0	10	20	30	40	50	60	70	80		
AZX20	4.5	55	141	77	45	39.5	29.5	25	17.5	12	3	85	
AZX30	4.5	87	175	105	70	63	53	40	26	14	6.5	85	
AZX20	6.0	85	150	100	55	38	30	24	16	11	3.2	85	
AZX30	6.0	125	220	150	81	65	50	38	27	18	5	85	

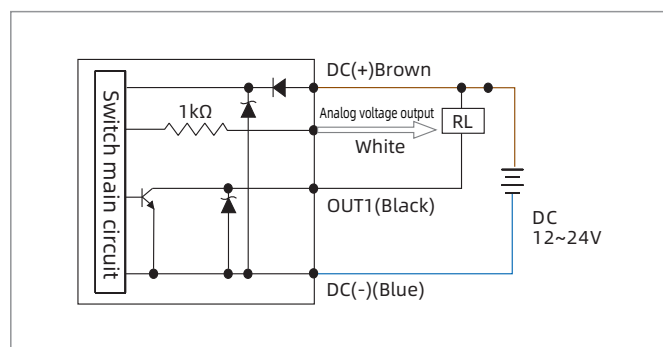


Evacuation time(s/L) to reach different vacuum levels(-kPa)

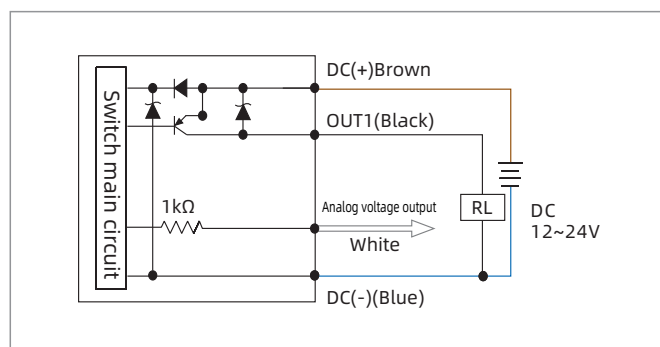
Model	Air supply pressure bar	Air consumption NL/min	10	20	30	40	50	60	70	80	Max. vacuum level -kPa
AZX20	4.5	55	0.04	0.12	0.23	0.41	0.65	0.93	1.33	2.03	85
AZX30	4.5	87	0.03	0.09	0.16	0.27	0.43	0.66	0.95	1.43	85
AZX20	6.0	85	0.02	0.15	0.28	0.46	0.71	1.02	1.48	2.55	85
AZX30	6.0	125	0.02	0.08	0.14	0.31	0.49	0.69	1.02	1.75	85



Output circuit wiring diagrams



ZPDT-CNV-R1M 1NPN+Analog voltage output(1-5V)



ZPDT-CPV-R1M 1PNP+Analog voltage output(1-5V)

Technical parameters

Model	ZPDT-C (Compound)	
Rated pressure range	-100.0~100.0kPa	
Setting pressure range	-103.0~103.0kPa	
Withstand pressure	500kPa	
Fluid	Air, Non-corrosive gas/Non-flammable gas	
Pressure unit	kPa	0.1
Set pressure resolution	MPa	-
	kgf/cm ²	0.001
	bar	0.001
	psi	0.01
	inHg	0.1
	mmHg	1
Power supply voltage	12 to 24V Dc±10%, ripple(P-P)10% or less	
Current consumption	≤40mA (Without load)	
Switch output	Output type	Open collector output (NPN or PNP)
	load current	Max.125mA
	Residual voltage	≤1.0V
Analog output	Response time	≤2.5ms (Chattering-proof function: 25ms,100ms,250ms, 500ms, 1000ms, 1500ms selectable)
	Output Voltage	1-5V ±2.5%F.S (within rated pressure range)
	Output impedance	1kΩ
Display	Linearity	±1% F.S.
	Display	Three colors (Red/ Green/ Orange)Sampling rate:5 times/sec,2 times/sec,1 time/sec for choice.)
	Indicator accuracy	±1%F.S.±1 digit (ambient temperature: 25±3°C)
Environmental resistance	Repeatability	±0.3%F.S.±1 digit
	Switch ON Indicator	Orange (1 indicator)OUT1
	IP Grade	IP40
	Ambient temperature	0~50°C
	Temperature characteristic	±3% F.S. Comparative parameter temperature 25°C (at temp. range of 0~50°C)
	Storage temperature	Storage: -10-60°C (No condensation or freezing)
	Ambient temperature	Operation/ storage: 35-85%HR (No condensation)
	Withstand voltage	1000VAC1 minute (between case and lead wire)
	Insulation resistance	More than 50MΩ (500V DC) (between case and lead wire)
	Vibration resistance	Complex amplitude 1.5mm Or 10G, 10Hz~150Hz~10Hz for 1 minute, two hours each direction of X, Y and Z
	Impact resistance	100m/s ² (10G) 3 times each direction of X, Y and Z
Lead wire	Oil-resistance cable (0.15mm ²)	
Weight	67g (with 2 meters lead wire)	

Vacuum Generator

AZK

AZQ

AZX

AZD

AGS

AGB

AGP

AGX

AGE

ABM/ABX

ABM/ABX
Combined Type

AMC

AM/AL/AH

AM/AL
Combined Type

AMD

AZW

AZR

ABT

ABP

ABQ

AEVC

AZL

ALH

AZH

AZU

ACV

ASBP

ALS

ACP

ACPF

ACPS

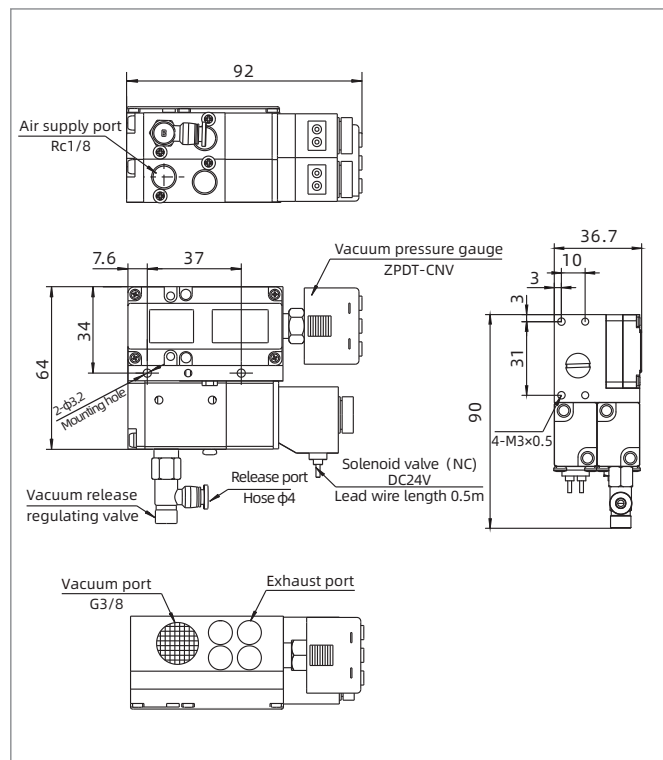
APB

AZX Series

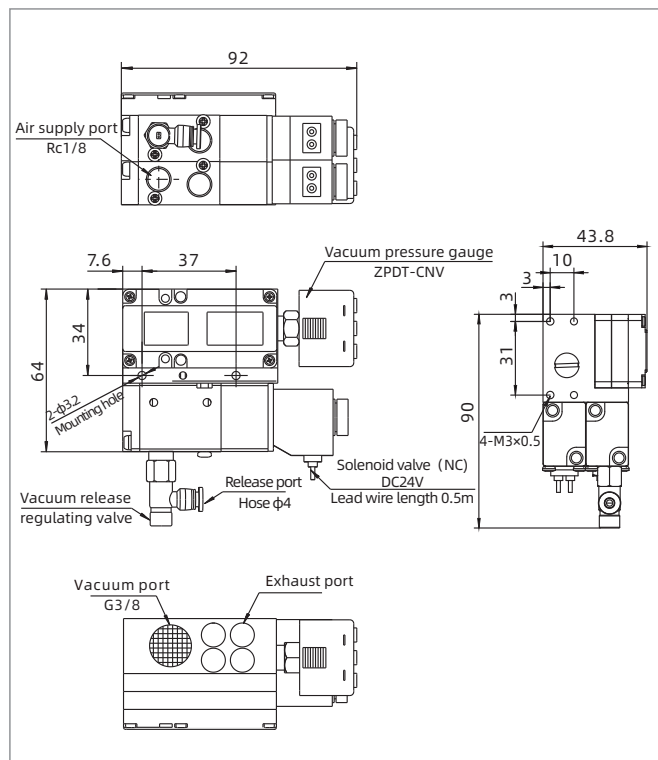


Large Flow Integrated Vacuum Generator

Dimensions(mm)



AZX20-N AZX20-P



AZX30-N AZX30-P

AZD Series

Energy-saving Vacuum Generator



UNIVERSAL

Features

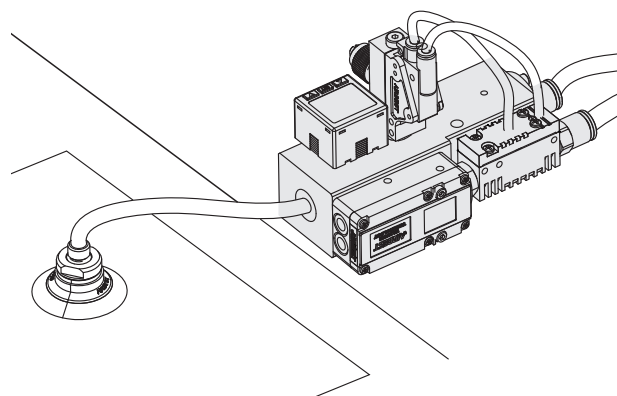
- ◇ Multistage vacuum generator with energy-efficient nozzle design
- ◇ Energy-saving function, it is integrated with vacuum unit, silencer, digital pressure gauge and vacuum energy saving control
- ◇ It has the function of debugging

Advantages

- ◇ Large vacuum flow can be produced under the condition of low air consumption
- ◇ Easy to install, space saving, it can help customers to reduce cost most, mainly used in electric control systems
- ◇ Customers can adjust and control the interval according to the actual application

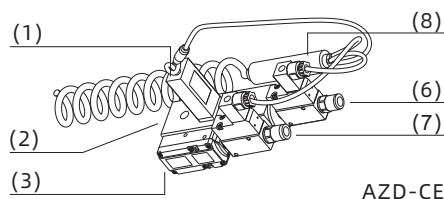
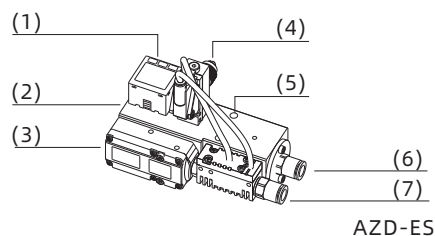
Applications

- ◇ Used in vacuum systems, where there are higher requirements for compressed air energy consumption occasions
- ◇ The vacuum generator is highly integrated with electric control and energy saving devices
- ◇ The energy-saving vacuum generator is suitable for the occasions where there is air leakage in the process of adsorption



Structure

- ◇ (1) Digital pressure gauge
- ◇ (2) Vacuum port
- ◇ (3) Vacuum generator
- ◇ (4) Adjusting screw
- ◇ (5) Mounting hole
- ◇ (6) Vacuum release port
- ◇ (7) Air supply port
- ◇ (8) ES device



AZK

AZQ

AZX

AZD

AGS

AGB

AGP

AGX

AGE

ABM/ABX

ABM/ABX
Combined Type

AMC

AM/AL/AH

AM/AL
Combined Type

AMD

AZW

AZR

ABT

ABP

ABQ

AEVC

AZL

ALH

AZH

AZU

ACV

ASBP

ALS

ACP

ACPF

ACPS

APB

AZD Series

Energy-saving Vacuum Generator



How to order

AZD 20 - ES

① ② ③

① Series	② Specification	③ Energy saving(ES) mode
AZD	20	ES - Pneumatic energy saving CE - Electric control energy saving

Technical parameters

Model	Air supply pressure range bar	Rated air supply pressure bar	Max. vacuum level -kPa	Max. vacuum flow NL/min	Max. break flow rate NL/min	Air consumption NL/min	Noise level dB(A)
AZD20	4.0~7.0	5.0	83	90	52	70	69

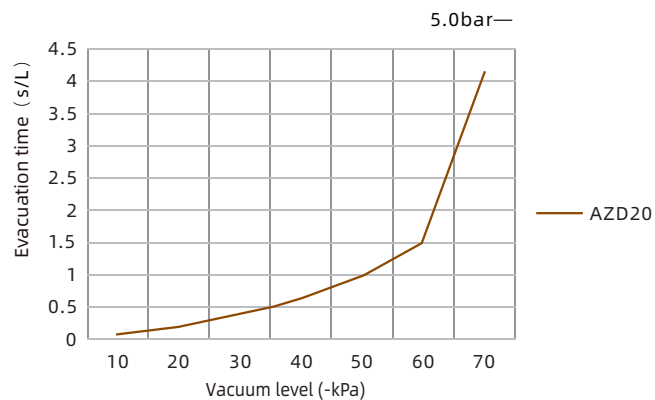
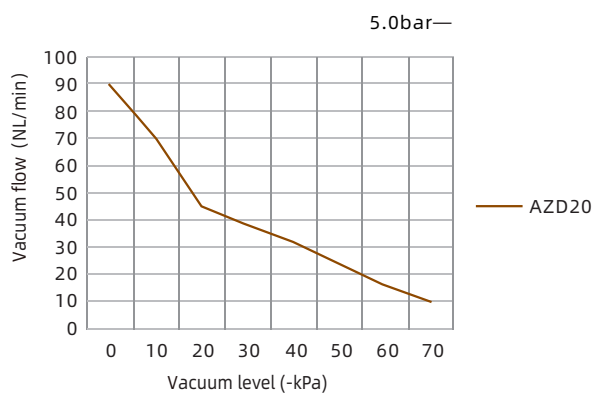
Model	Solenoid valve rated working voltage V	Solenoid valve status	Solenoid valve rated power W	Working temperature °C	Weight g		Recommended hose dia.(mm)	
					ES	CE	Air supply port P	Vacuum port V
AZD20	DC24	Normally closed(NC)	2.5	0~60	620	690	φ8	φ10

Vacuum flow(NL/min) at different vacuum levels(-kPa)

Model	Air supply pressure bar	Air consumption NL/min	0	10	20	30	40	50	60	70	Max. vacuum level -kPa
			AZD20	5.0	70	90	72	43	35	22	

Evacuation time(s/L) to reach different vacuum levels(-kPa)

Model	Air supply pressure bar	Air consumption NL/min	10	20	30	40	50	60	70	Max. vacuum level -kPa
			AZD20	5.0	70	0.08	0.2	0.39	0.63	

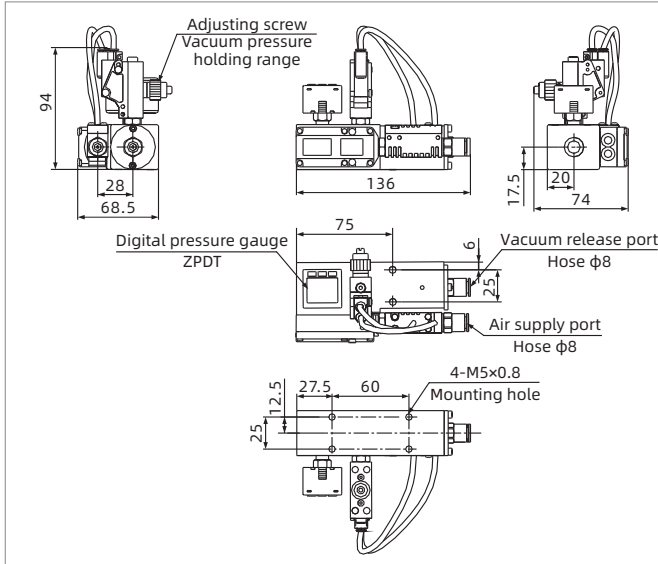


AZD Series

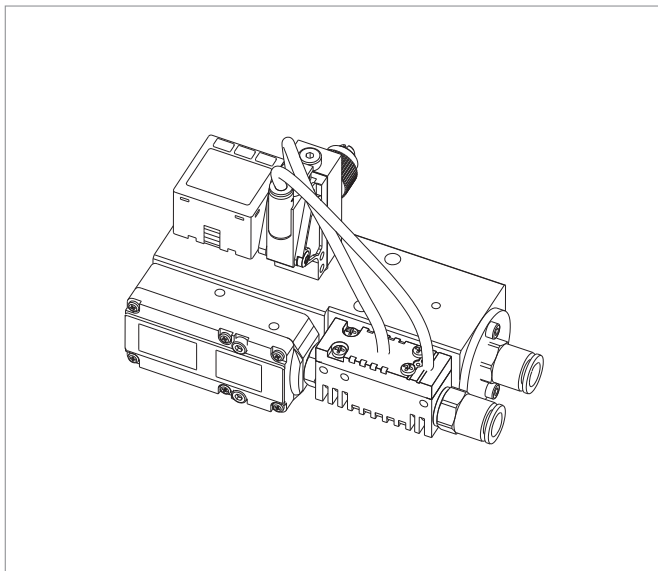
Energy-saving Vacuum Generator



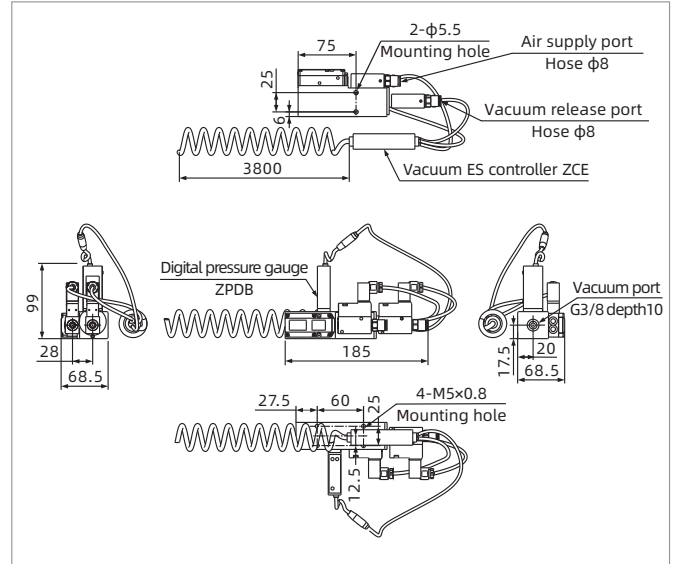
Dimensions(mm)



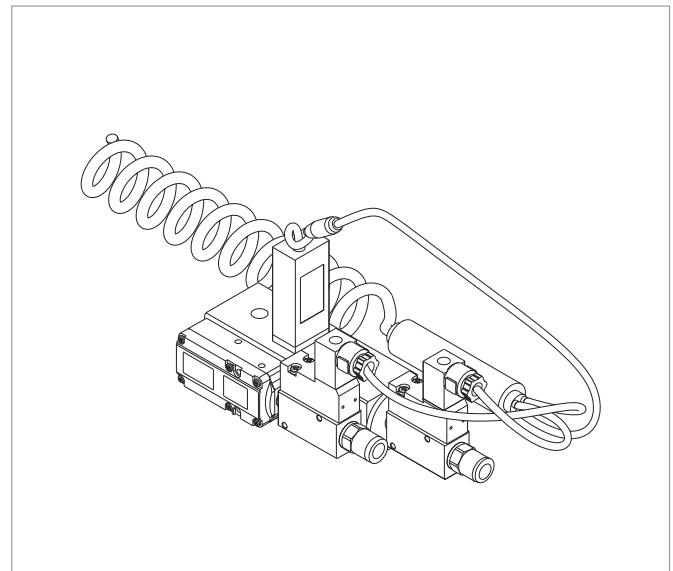
AZD20-ES



AZD20-ES Schematic diagram



AZD20-CE



AZD20-CE Schematic diagram

Vacuum Generator

AZK

AZQ

AZX

AZD

AGS

AGB

AGP

AGX

AGE

ABM/ABX

ABM/ABX
Combined Type

AMC

AM/AL/AH

AM/AL
Combined Type

AMD

AZW

AZR

ABT

ABP

ABQ

AEVC

AZL

ALH

AZH

AZU

ACV

ASBP

ALS

ACP

ACPF

ACPS

APB

AGS Series

Vacuum Generator



ELECTRONICS



METAL SHEET



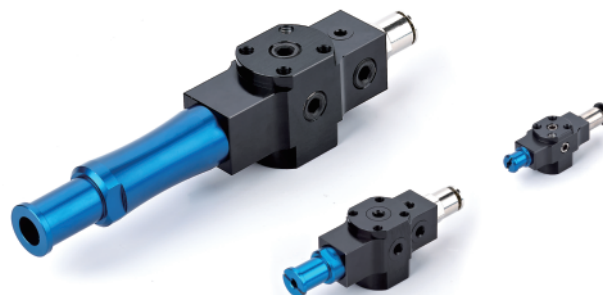
PACKAGING

Features

- ◇ Fast suction, high vacuum degree, low air consumption
- ◇ The workpiece can be of airtight or porous material
- ◇ Dirt and dust resistance
- ◇ Small size, light weight, simple structure
- ◇ External silencer is optional

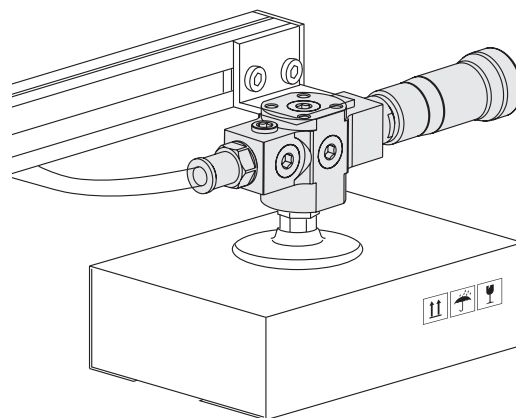
Advantages

- ◇ High efficient and energy-saving vacuum generator, it can reach the max. vacuum level quickly, effectively compensate air leakage
- ◇ Suitable vacuum generators can be selected according to different working conditions
- ◇ Long maintenance time, simple cleaning, no need tools
- ◇ Can be used in occasions with limited space and weight, easy to install
- ◇ Reduce product noise most



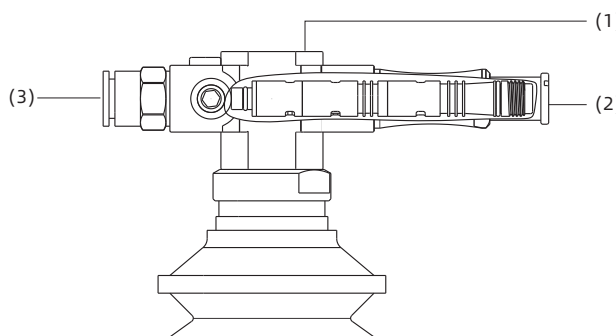
Applications

- ◇ The multistage vacuum generator is suitable for handling cartons, packaging materials and porous materials
- ◇ Applicable to the working conditions that require high vacuum flow, fast evacuation and low air consumption



Structure

- ◇ (1) Housing
- ◇ (2) Vacuum cartridge
- ◇ (3) Air supply port



AGS Series

Vacuum Generator

How to order

AGS - N - S08-2 - V - S
 ① ② ③ ④ ⑤

① Series	② Housing type	③ Specification	④ Non-return valve	⑤ Silencer
AGS	C (MICRO)	S02 - 2	Nil - Without non-return valve	Nil - Without silencer
		X2.5 - 2		
		T05 - 2		
N (MINI)		S08 - 2 S08 - 3	Nil - Without non-return valve	Nil - Without silencer
		X10 - 2 X10 - 3	V - With non-return valve	S - With silencer ZSC8
		P12 - 2 P12 - 3		
		D16 - 2		
D (MIDI)		S32 - 2 S32 - 3	Nil - Without non-return valve	Nil - Without silencer
		X40 - 2 X40 - 3	V - With non-return valve	S - With silencer ZSC16

Selection

Model/Non-return valve selection Nil - Without non-return valve		V - With non-return valve	
AGS-C-S02-2		-	
AGS-C-X2.5-2		-	
AGS-C-T05-2		-	
AGS-N-S08-2	AGS-N-S08-2-S	AGS-N-S08-2-V	AGS-N-S08-2-V-S
AGS-N-S08-3	AGS-N-S08-3-S	AGS-N-S08-3-V	AGS-N-S08-3-V-S
AGS-N-X10-2	AGS-N-X10-2-S	AGS-N-X10-2-V	AGS-N-X10-2-V-S
AGS-N-X10-3	AGS-N-X10-3-S	AGS-N-X10-3-V	AGS-N-X10-3-V-S
AGS-N-P12-2	AGS-N-P12-2-S	AGS-N-P12-2-V	AGS-N-P12-2-V-S
AGS-N-P12-3	AGS-N-P12-3-S	AGS-N-P12-3-V	AGS-N-P12-3-V-S
AGS-N-D16-2	AGS-N-D16-2-S	-	-
AGS-D-S32-2	AGS-D-S32-2-S	AGS-D-S32-2-V	AGS-D-S32-2-V-S
AGS-D-S32-3	AGS-D-S32-3-S	AGS-D-S32-3-V	AGS-D-S32-3-V-S
AGS-D-X40-2	AGS-D-X40-2-S	AGS-D-X40-2-V	AGS-D-X40-2-V-S
AGS-D-X40-3	AGS-D-X40-3-S	AGS-D-X40-3-V	AGS-D-X40-3-V-S

◇ Note: The mounting accessories are ordered separately except the default specification

AZK

AZQ

AZX

AZD

AGS

AGB

AGP

AGX

AGE

ABM/ABX

ABM/ABX
Combined Type

AMC

AM/AL/AH

AM/AL
Combined Type

AMD

AZW

AZR

ABT

ABP

ABQ

AEVC

AZL

ALH

AZH

AZU

ACV

ASBP

ALS

ACP

ACPF

ACPS

APB

AGS-C Series

Vacuum Generator



Features

- ◇ Small size, simple structure, easy to install
- ◇ Vacuum port G1/8 female thread can be directly connected to the suction cup
- ◇ A variety of vacuum cartridges can be freely selected, suitable for different applications
- ◇ Multi-angle installation position and installation accessories are available for convenient installation



Technical parameters

Model	Air supply pressure range bar	Max. vacuum level -kPa	Max. vacuum flow NL/min	Air consumption NL/min	Noise level dB(A)	Weight g	Recommended hose dia.(mm)	
							Air supply port	Vacuum port
AGS-C-S02-2	4.0~6.0	75	16.2	8.0	70	20	φ4	G1/8
AGS-C-X2.5-2	4.5~6.0	90	17.2	10.5	72	20	φ4	G1/8
AGS-C-T05-2	4.0~6.0	84	19.5	21.5	78	20	φ4	G1/8

Vacuum flow(NL/min) at different vacuum levels(-kPa)

Model	Air supply pressure bar	Air consumption NL/min	Vacuum level (-kPa)									Max. vacuum level -kPa
			0	10	20	30	40	50	60	70		
AGS-C-S02-2	4.0	6.0	14.2	8.1	5.2	3.8	2.2	-	-	-	55	
	5.0	7.0	15.7	10.0	5.5	4.5	3.4	2.2	-	-	70	
	6.0	8.0	16.2	12.2	6.3	4.6	3.9	3.0	2.0	-	75	
AGS-C-X2.5-2	4.5	9.0	14.9	9.9	4.8	4.1	3.3	2.6	1.7	-	85	
	5.0	9.5	15.6	11.6	6.6	4.0	3.3	2.6	1.7	-	90	
	6.0	10.0	17.2	14.2	9.3	4.5	3.3	2.3	1.4	-	89	
AGS-C-T05-2	4.0	16.0	19.5	17.7	13.5	9.0	6.1	5.0	3.3	1.8	84	
	6.0	21.5	18.7	17.4	15.1	13.1	9.7	6.0	2.7	1.8	75	

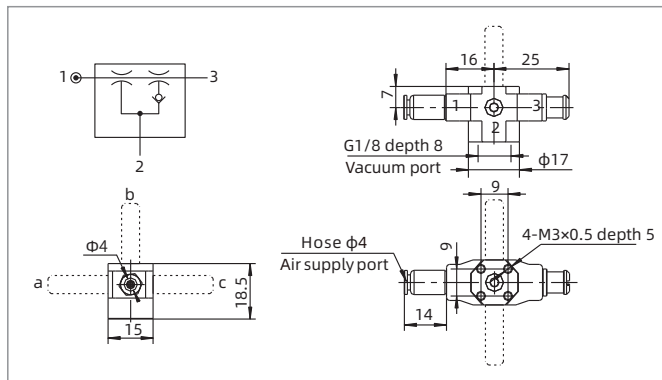
Evacuation time(s/L) to reach different vacuum levels(-kPa)

Model	Air supply pressure bar	Air consumption NL/min	Vacuum level (-kPa)									Max. vacuum level -kPa
			10	20	30	40	50	60	70	80		
AGS-C-S02-2	4.0	6.0	0.4	1.4	2.8	5.1	-	-	-	-	55	
	5.0	7.0	0.3	1.2	2.5	4.1	6.6	11.1	-	-	70	
	6.0	8.0	0.3	1.1	2.4	4.1	6.2	9.0	14.3	-	75	
AGS-C-X2.5-2	4.5	9.0	0.4	1.3	3.2	4.6	6.5	9.8	15.3	25.70	85	
	5.0	9.5	0.3	0.9	2.4	4.3	6.7	9.5	14.1	22.03	90	
	6.0	10.0	0.2	0.7	1.7	3.7	5.9	9.5	14.5	22.41	89	
AGS-C-T05-2	4.0	16.0	0.2	0.5	1.1	2.2	3.4	5.2	9.0	17.36	84	
	6.0	21.5	0.2	0.5	0.9	1.5	2.6	4.7	7.7	16.09	75	

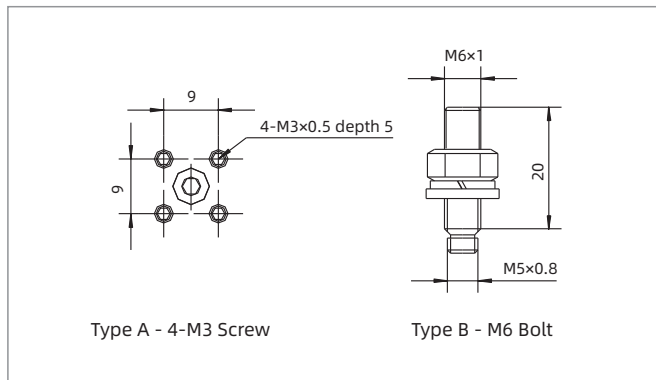
AGS-C Series

Vacuum Generator

Dimensions(mm)



Mounting accessory(mm)



AGS-C

◇ Note: Type B is optional for above drawing a/b/c. Default mounting accessory is type A for AGS-C series

Vacuum Generator

AZK

AZQ

AZX

AZD

AGS

AGB

AGP

AGX

AGE

ABM/ABX

ABM/ABX
Combined Type

AMC

AM/AL/AH

AM/AL
Combined Type

AMD

AZW

AZR

ABT

ABP

ABQ

AEVC

AZL

ALH

AZH

AZU

ACV

ASBP

ALS

ACP

ACPF

ACPS

APB

AGS-N Series

Vacuum Generator

Features

- ◇ Small size, simple structure, easy to install
- ◇ Vacuum port G3/8 female thread can be directly connected to the suction cup
- ◇ A variety of vacuum cartridges can be freely selected, suitable for different applications
- ◇ Multi-angle installation position and installation accessories are available for convenient installation
- ◇ Exhaust port can be connected with external silencer



Technical parameters

Model	Air supply pressure range bar	Max. vacuum level -kPa	Max. vacuum flow NL/min	Air consumption NL/min	Noise level dB(A)	Weight g	Recommended hose dia.(mm)	
							Air supply port	Vacuum port
AGS-N-S08-2	4.0~6.0	75	46	27	62	23	φ6	G3/8
AGS-N-S08-3	4.0~6.0	75	68	27	68	37	φ6	G3/8
AGS-N-X10-2	4.5~6.0	93	44	34	78	23	φ6	G3/8
AGS-N-X10-3	4.5~6.0	93	68	34	74	37	φ6	G3/8
AGS-N-P12-2	1.7~4.0	90	42	33	68	23	φ6	G3/8
AGS-N-P12-3	1.7~4.0	90	68	33	71	37	φ6	G3/8
AGS-N-D16-2	6.0	72	40	46	77	23	φ6	G3/8

Vacuum flow(NL/min) at different vacuum levels(-kPa)

Model	Air supply pressure bar	Air consumption NL/min	Max. vacuum level -kPa									
			0	10	20	30	40	50	60	70	80	Max. vacuum level -kPa
AGS-N-S08-2	4.0	19.0	44.0	34.0	22.6	14.4	10.8	6.4	-	-	-	60
	5.0	23.0	46.0	40.0	28.5	17.3	12.8	9.5	6.1	-	-	70
	6.0	27.0	46.0	42.0	32.6	22.6	12.0	9.8	8.3	5.9	-	75
AGS-N-S08-3	4.0	19.0	60.0	38.0	24.0	14.9	11.5	6.8	-	-	-	60
	5.0	23.0	66.0	40.0	32.0	19.1	13.3	9.9	6.5	-	-	70
	6.0	27.0	68.0	42.0	36.0	24.0	13.0	10.2	8.4	6.3	-	75
AGS-N-X10-2	4.5	27.5	44.0	40.0	28.4	18.8	10.7	9.4	6.9	4.6	2.3	90
	5.0	30.0	44.0	40.0	30.6	22.2	13.5	8.9	6.6	4.5	2.0	93
	6.0	34.5	42.0	40.0	33.0	26.9	18.7	9.4	6.2	4.6	1.4	91
AGS-N-X10-3	4.5	27.5	64.0	40.0	32.0	18.0	11.3	9.7	7.3	4.9	2.7	90
	5.0	30.0	66.0	40.0	34.0	24.0	14.3	9.3	6.9	4.8	2.4	93
	6.0	34.5	68.0	44.0	34.0	30.0	20.0	10.5	6.5	4.9	1.7	91
AGS-N-P12-2	1.7	19.0	36.0	19.0	10.5	6.6	2.8	-	-	-	-	43
	2.2	22.5	38.0	28.0	15.5	11.0	7.7	3.8	-	-	-	58
	3.14	29.0	42.0	36.0	25.6	14.9	10.4	8.9	6.6	4.2	1.9	90
	4.0	35.0	42.0	38.0	30.0	23.0	15.0	8.0	5.9	4.3	1.1	88
AGS-N-P12-3	1.7	19.0	46.0	19.8	10.5	7.0	3.0	-	-	-	-	43
	2.2	22.5	52.0	30.0	12.0	8.2	5.8	2.7	-	-	-	58
	3.14	29.0	62.0	38.0	28.0	10.0	7.7	6.7	4.8	2.9	1.4	90
	4.0	35.0	68.0	40.0	34.0	24.0	11.4	5.7	4.2	3.0	1.2	88
AGS-N-D16-2	6.0	46.0	40.0	38.0	30.5	26.7	22.0	17.0	12.0	3.5	-	72

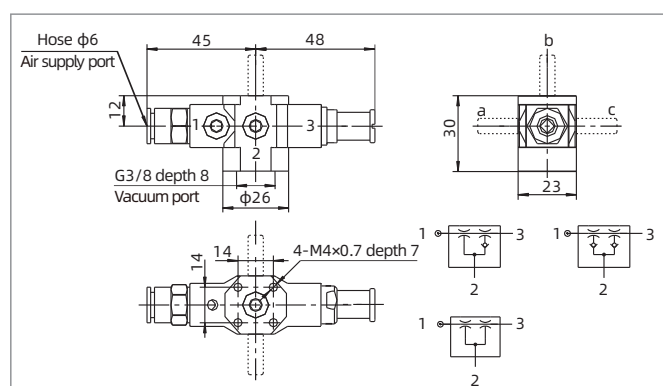
AGS-N Series

Vacuum Generator

Evacuation time(s/L) to reach different vacuum levels(-kPa)

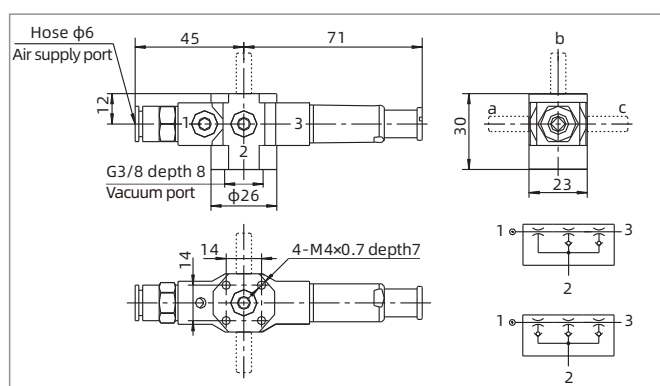
Model	Air supply pressure bar	Air consumption NL/min	10	20	30	40	50	60	70	80	Max. vacuum level -kPa
AGS-N-S08-2	4.0	19.0	0.07	0.25	0.56	1.02	1.89	5.24	-	-	60
	5.0	23.0	0.07	0.22	0.47	0.85	1.53	2.40	6.43	-	70
	6.0	27.0	0.07	0.20	0.39	0.74	1.35	2.14	3.35	-	75
AGS-N-S08-3	4.0	19.0	0.06	0.22	0.53	0.93	1.72	4.61	-	-	60
	5.0	23.0	0.06	0.19	0.44	0.83	1.35	2.23	6.33	-	70
	6.0	27.0	0.05	0.19	0.38	0.68	1.26	2.08	3.05	-	75
AGS-N-X10-2	4.5	27.5	0.11	0.27	0.52	0.98	1.65	2.41	3.87	6.20	90
	5.0	30.0	0.12	0.27	0.48	0.83	1.49	2.49	3.77	6.19	93
	6.0	34.5	0.12	0.26	0.45	0.72	1.21	2.33	3.68	6.35	91
AGS-N-X10-3	4.5	27.5	0.06	0.19	0.40	0.76	1.45	2.21	3.49	5.55	90
	5.0	30.0	0.05	0.19	0.37	0.66	1.26	2.14	3.45	5.60	93
	6.0	34.5	0.05	0.18	0.35	0.59	1.02	2.10	3.31	5.72	91
AGS-N-P12-2	1.7	19.0	0.15	0.55	1.26	2.90	-	-	-	-	43
	2.2	22.5	0.14	0.37	0.88	1.58	2.78	-	-	-	58
	3.14	29.0	0.12	0.29	0.59	1.07	1.86	2.66	4.33	6.72	90
	4.0	35.0	0.12	0.26	0.49	0.77	1.50	2.48	3.98	7.05	88
AGS-N-P12-3	1.7	19.0	0.13	0.52	1.22	2.75	-	-	-	-	43
	2.2	22.5	0.08	0.31	0.70	1.33	2.54	-	-	-	58
	3.14	29.0	0.06	0.21	0.45	0.94	1.58	2.40	3.83	6.07	90
	4.0	35.0	0.06	0.20	0.38	0.67	1.26	2.36	3.75	6.57	88
AGS-N-D16-2	6.0	46.0	0.04	0.18	0.39	0.62	0.95	1.47	3.10	-	72

Dimensions(mm)



AGS-N (MINI type 2 stages)

◇ Note: Type D/E are optional for above drawing a/b/c. Default mounting accessory is type C for AGS-N series



AGS-N (MINI type 3 stages)

Model selection

Housing	Vacuum cartridge
MINI type 2 stages	S08-2, X10-2, P12-2, D16-2
MINI type 3 stages	S08-3, X10-3, P12-3

Vacuum Generator

AZK

AZQ

AZX

AZD

AGS

AGB

AGP

AGX

AGE

ABM/ABX

ABM/ABX Combined Type

AMC

AM/AL/AH

AM/AL Combined Type

AMD

AZW

AZR

ABT

ABP

ABQ

AEVC

AZL

ALH

AZH

AZU

ACV

ASBP

ALS

ACP

ACPF

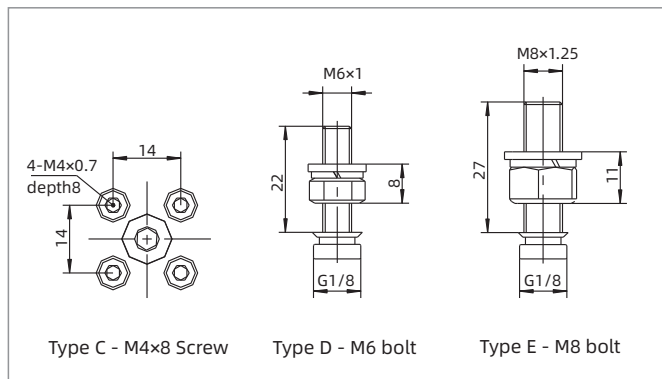
ACPS

APB

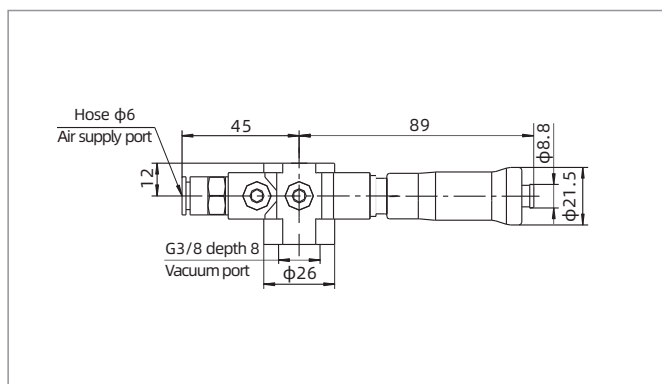
AGS-N Series

Vacuum Generator

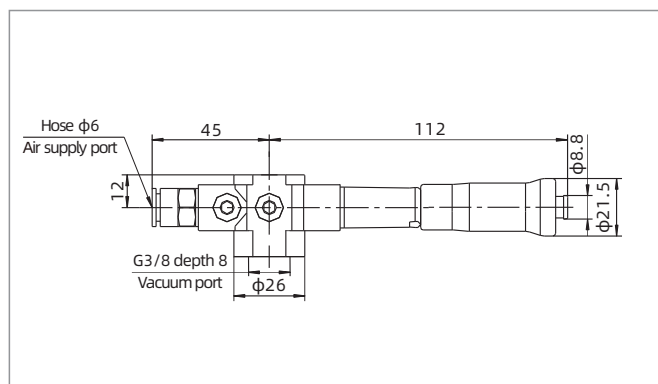
Mounting accessory(mm)



Silencer(mm)



MINI type 2 stages



MINI type 3 stages

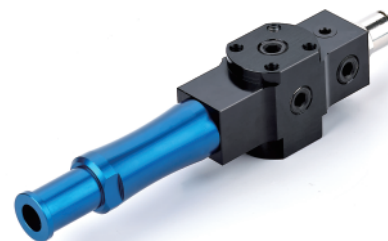
Housing	Silencer
MINI type 2 stages	ZSC8
MINI type 3 stages	ZSC8

AGS-D Series

Vacuum Generator

Features

- ◇ Small size, simple structure, easy to install
- ◇ Vacuum port G1/2 female thread can be directly connected to the suction cup
- ◇ A variety of vacuum cartridges can be freely selected, suitable for different applications
- ◇ Multi-angle installation position and installation accessories are available for convenient installation
- ◇ Suitable for occasions requiring large vacuum flow
- ◇ Exhaust port can be connected with external silencer



Technical parameters

Model	Air supply pressure range bar	Max. vacuum level -kPa	Max. vacuum flow NL/min	Air consumption NL/min	Noise level dB(A)	Weight g	Recommended hose dia.(mm)	
							Air supply port	Vacuum port
AGS-D-S32-2	4.0~6.0	75	178.0	130.0	82	143	φ8	G1/2
AGS-D-S32-3	4.0~6.0	75	360.0	130.0	82	228	φ8	G1/2
AGS-D-X40-2	4.5~6.0	95	170.0	135.0	89	143	φ8	G1/2
AGS-D-X40-3	4.5~6.0	95	372.0	135.0	89	228	φ8	G1/2

Vacuum flow(NL/min) at different vacuum levels(-kPa)

Model	Air supply pressure bar	Air consumption NL/min	Max. vacuum level -kPa										
			0	10	20	30	40	50	60	70	80	90	
AGS-D-S32-2	4.0	120	172	136	92	60	44	26.2	10.5	-	-	-	60
	5.0	125	180	156	116	72	48	36.0	26.9	12.8	-	-	70
	6.0	130	178	164	134	94	50	38.0	32.0	18.3	-	-	75
AGS-D-S32-3	4.0	120	350	152	110	64	50	26.7	11.5	-	-	-	60
	5.0	125	370	185	125	90	50	36.2	27.3	13.9	-	-	70
	6.0	130	390	210	135	100	65	35.1	30.3	18.3	-	-	75
AGS-D-X40-2	4.5	120	170	136	100	58	40	36.0	25.0	17.8	11.7	3.1	91
	5.0	125	170	140	106	74	46	34.0	24.0	17.6	10.8	2.9	95
	6.0	135	162	142	116	92	68	40.0	22.5	17.8	9.4	2.3	94
AGS-D-X40-3	4.5	120	350	175	120	80	44	32.7	24.5	17.8	11.6	3.2	91
	5.0	125	360	190	125	95	65	36.0	26.0	17.6	10.8	2.8	95
	6.0	135	380	220	130	105	90	54.0	26.0	17.8	9.3	2.2	94

Evacuation time(s/L) to reach different vacuum levels(-kPa)

Model	Air supply pressure bar	Air consumption NL/min	Max. vacuum level -kPa							
			10	20	30	40	50	60	70	
AGS-D-S32-2	4.0	120	0.04	0.08	0.16	0.27	0.47	0.98	-	60
	5.0	125	0.04	0.08	0.14	0.25	0.39	0.63	1.17	70
	6.0	130	0.04	0.08	0.13	0.21	0.36	0.55	0.86	75
AGS-D-S32-3	4.0	120	0.03	0.08	0.15	0.26	0.44	0.94	-	60
	5.0	125	0.03	0.07	0.13	0.23	0.38	0.61	1.07	70
	6.0	130	0.03	0.05	0.10	0.18	0.36	0.56	0.87	75

AGS-D Series

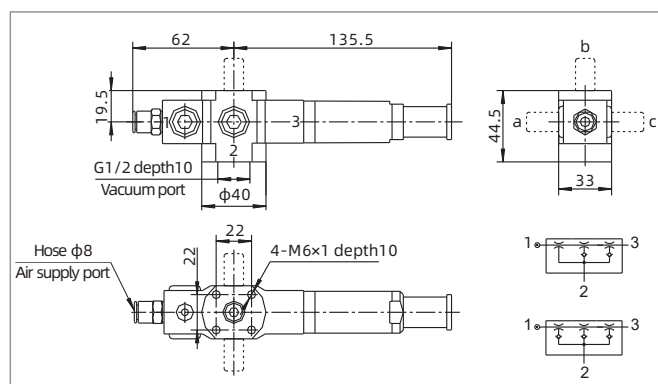
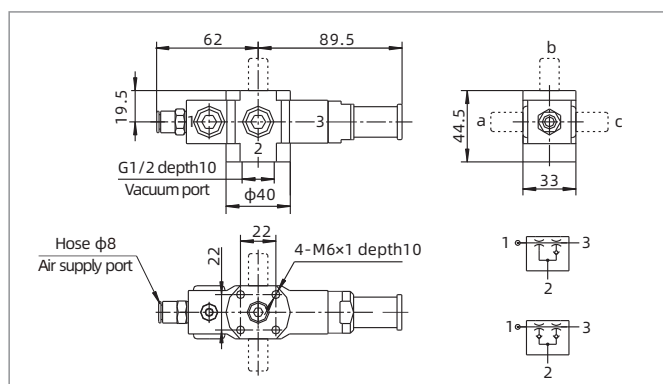
Vacuum Generator



Evacuation time(s/L) to reach different vacuum levels(-kPa)

Model	Air supply pressure bar	Air consumption NL/min	10	20	30	40	50	60	70	80	90	Max. vacuum level -kPa
AGS-D-X40-2	4.5	120	0.04	0.08	0.15	0.28	0.46	0.66	0.99	1.15	-	91
	5.0	125	0.04	0.08	0.14	0.24	0.41	0.66	1.02	1.52	3.27	95
	6.0	135	0.04	0.08	0.14	0.20	0.30	0.57	0.95	1.55	3.70	94
AGS-D-X40-3	4.5	120	0.03	0.07	0.13	0.23	0.38	0.63	0.97	1.50	3.25	91
	5.0	125	0.03	0.07	0.14	0.21	0.37	0.62	0.99	1.46	3.23	95
	6.0	135	0.03	0.05	0.10	0.16	0.27	0.47	0.86	1.45	3.92	94

Dimensions(mm)



AGS-D (MIDI type 2 stages)

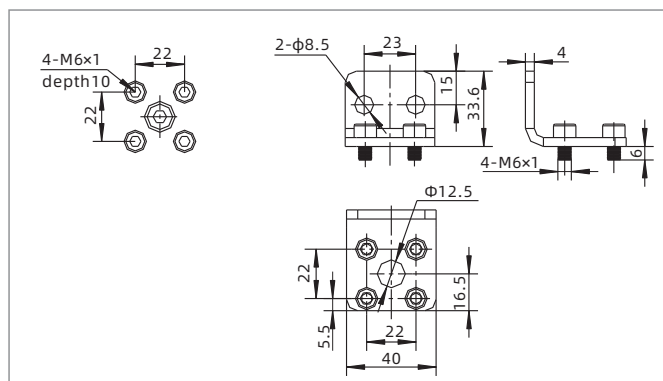
AGS-D (MIDI type 3 stages)

◇ Note: Type G/H/K are optional for above drawing a/b/c. Default mounting accessory is type F for AGS-D series

Model selection

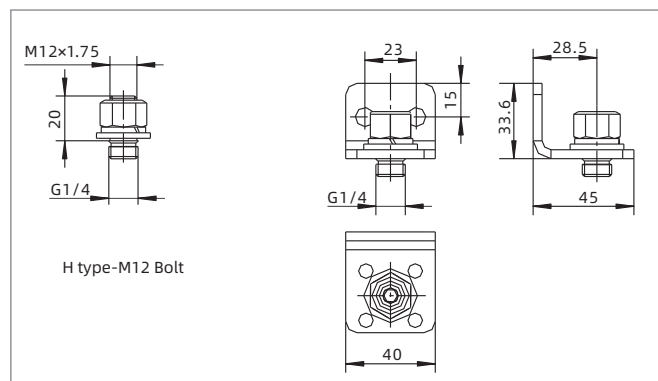
Housing	Vacuum cartridge
MIDI type 2 stages	S32-2, X40-2
MIDI type 3 stages	S32-3, X40-3

Mounting accessory(mm)



Type F - M6 Screw

Type G - M6 Screw + L type bracket



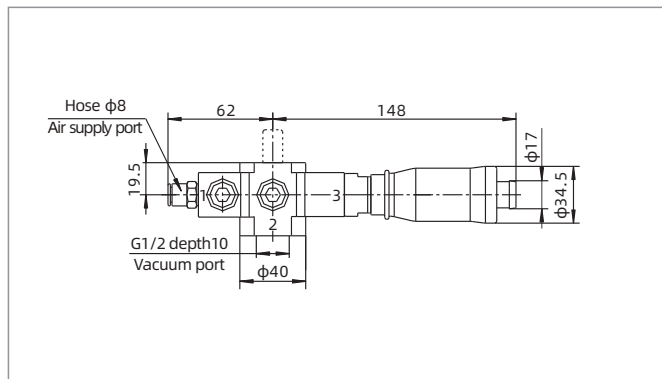
Type H - M12 Bolt

Type K - M12 Bolt + L type bracket

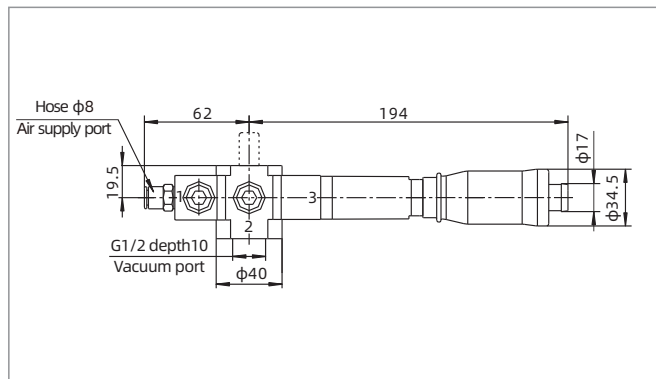
AGS-D Series

Vacuum Generator

Silencer(mm)



MIDI type 2 stages



MIDI type 3 stages

Housing	Silencer
MIDI type 2 stages	ZSC16
MIDI type 3 stages	ZSC16

Vacuum Generator

AZK

AZQ

AZX

AZD

AGS

AGB

AGP

AGX

AGE

ABM/ABX

ABM/ABX
Combined Type

AMC

AM/AL/AH

AM/AL
Combined Type

AMD

AZW

AZR

ABT

ABP

ABQ

AEVC

AZL

ALH

AZH

AZU

ACV

ASBP

ALS

ACP

ACPF

ACPS

APB

AGB Series

Vacuum Generator



ELECTRONICS



METAL SHEET



PACKAGING

Features

- ◇ Fast evacuation, high vacuum level, low air consumption
- ◇ Small size, simple structure, easy to install
- ◇ There are 3 vacuum ports with G1/8 female thread

Advantages

- ◇ High efficient and energy-saving vacuum generator, can quickly reach the max. vacuum level
- ◇ Can be used in the occasions with limited space and weight, esay to install
- ◇ Can be directly connected to suction cups to save space

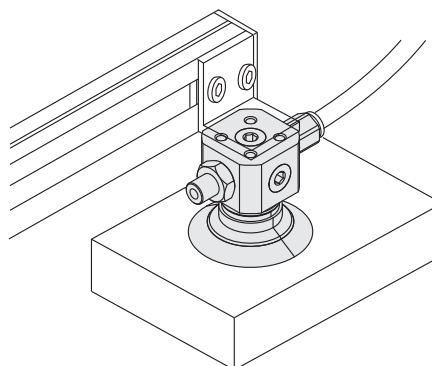


Applications

- ◇ The occasions with limited installation space
- ◇ Applicable to the working conditions that require fast evacuation and low air consumption

Structure

- ◇ Housing can be freely matched with vacuum cartridges with different performace parameters
- ◇ The air supply port is directly inserted into the $\phi 4$ hose, the vacuum port is G1/8 female thread



How to order

AGB - S02-2
① ②

① Series	② Specification
AGB	S02 - 2 (-75kPa) X2.5 - 2 (-90kPa) T05 - 2 (-84kPa)

◇ Note: The standard mounting accessory is type C, other types should be ordered separately if needed

Technical parameters

Model	Air supply pressure range bar	Max. vacuum level -kPa	Max. vacuum flow NL/min	Air consumption NL/min	Noise level dB(A)	Weight g	Recommended hose dia.(mm)	
							Air supply port	Vacuum port
AGB-S02-2	4.0~6.0	75	16.2	8.0	70	20	$\phi 4$	G1/8
AGB-X2.5-2	4.5~6.0	90	17.2	10.5	72	20	$\phi 4$	G1/8
AGB-T05-2	4.0~6.0	84	19.5	21.5	78	20	$\phi 4$	G1/8

AGB Series

Vacuum Generator

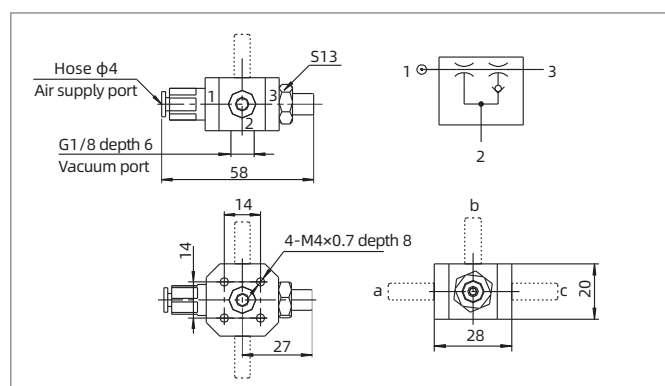
Vacuum flow(NL/min) at different vacuum levels(-kPa)

Model	Air supply pressure bar	Air consumption NL/min	0	10	20	30	40	50	60	70	Max. vacuum level -kPa
AGB-S02-2	4.0	6.0	14.2	8.1	5.2	3.8	2.2	-	-	-	55
	5.0	7.0	15.7	10.0	5.5	4.5	3.4	2.2	-	-	70
	6.0	8.0	16.2	12.2	6.3	4.6	3.9	3.0	2.0	-	75
AGB-X2.5-2	4.5	9.0	14.9	9.9	4.8	4.1	3.3	2.6	1.7	-	85
	5.0	9.5	15.6	11.6	6.6	4.0	3.3	2.6	1.7	-	90
	6.0	10.0	17.2	14.2	9.3	4.5	3.3	2.3	1.4	-	89
AGB-T05-2	4.0	16.0	19.5	17.7	13.5	9.0	6.1	5.0	3.3	1.8	84
	6.0	21.5	18.7	17.4	15.1	13.1	9.7	6.0	2.7	1.8	75

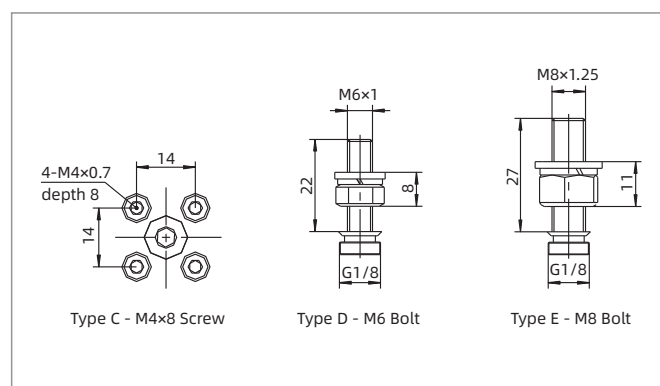
Evacuation time(s/L) to reach different vacuum levels(-kPa)

Model	Air supply pressure bar	Air consumption NL/min	10	20	30	40	50	60	70	80	Max. vacuum level -kPa
AGB-S02-2	4.0	6.0	0.4	1.4	2.8	5.1	-	-	-	-	55
	5.0	7.0	0.3	1.2	2.5	4.1	6.6	11.1	-	-	70
	6.0	8.0	0.3	1.1	2.4	4.1	6.2	9.0	14.3	-	75
AGB-X2.5-2	4.5	9.0	0.4	1.3	3.2	4.6	6.5	9.8	15.3	25.70	85
	5.0	9.5	0.3	0.9	2.4	4.3	6.7	9.5	14.1	22.03	90
	6.0	10.0	0.2	0.7	1.7	3.7	5.9	9.5	14.5	22.41	89
AGB-T05-2	4.0	16.0	0.2	0.5	1.1	2.2	3.4	5.2	9.0	17.36	84
	6.0	21.5	0.2	0.5	0.9	1.5	2.6	4.7	7.7	16.09	75

Dimensions(mm)



Mounting accessories(mm)



AGB

◇ Note: Type D/E are optional for above drawing a/b/c. Default mounting accessory is type C for AGB series

Mounting accessory selection

Item	Model	Model
AGB mounting accessory	Type C - 4-M4x8 Screw	Type D - M6 Bolt
	Type E - M8 Bolt	-

Vacuum Generator

AZK

AZQ

AZX

AZD

AGS

AGB

AGP

AGX

AGE

ABM/ABX

ABM/ABX
Combined Type

AMC

AM/AL/AH

AM/AL
Combined Type

AMD

AZW

AZR

ABT

ABP

ABQ

AEVC

AZL

ALH

AZH

AZU

ACV

ASBP

ALS

ACP

ACPF

ACPS

APB

AGP Series

Vacuum Generator



ELECTRONICS



METAL SHEET



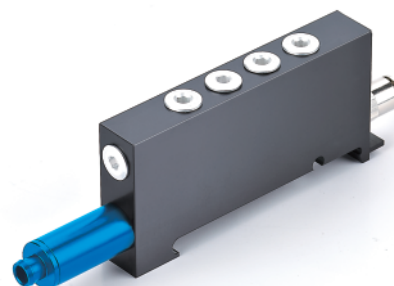
PACKAGING

Features

- ◇ Fast evacuation, high vacuum level, low air consumption
- ◇ Built-in vacuum cartridge
- ◇ Small size, simple structure, groove type installation structure
- ◇ There are 6 vacuum ports with G1/8 female thread

Advantages

- ◇ High efficient and energy-saving vacuum generator, can quickly reach the max. vacuum level
- ◇ The suitable vacuum generators can be selected according to different working conditions
- ◇ Simple installation structure, can be installed quickly
- ◇ Multiple suction cups can be connected at the same time
- ◇ Reduce product noise



Applications

- ◇ The working conditions where multiple suction cups are directly installed at the same time
- ◇ Applicable to the working conditions that require fast evacuation and low air consumption

Structure

- ◇ Housing can be freely matched with vacuum cartridges with different performance parameters
- ◇ The air supply port is directly inserted into the $\phi 6$ hose, the vacuum port is G1/8 female thread

How to order

AGP - S08-3
① ②

① Series	② Specification
AGP	S08-3 (-75kPa) X10-3 (-93kPa) P12-3 (-90kPa)

AGP Series

Vacuum Generator

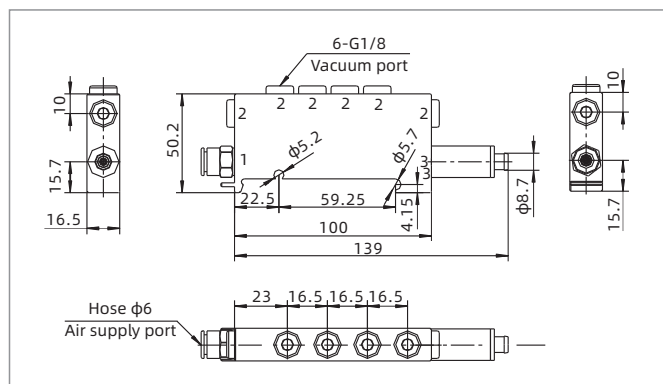
Vacuum flow(NL/min) at different vacuum levels(-kPa)

Model	Air supply pressure bar	Air consumption NL/min	0	10	20	30	40	50	60	70	80	Max. vacuum level -kPa
AGP-S08-3	4.0	19.0	60.0	38.0	24.0	14.9	11.5	6.8	-	-	-	60
	5.0	23.0	66.0	40.0	32.0	19.1	13.3	9.9	6.5	-	-	70
	6.0	27.0	68.0	42.0	36.0	24.0	13.0	10.2	8.4	6.3	-	75
AGP-X10-3	4.5	27.5	64.0	40.0	32.0	18.0	11.3	9.7	7.3	4.9	2.7	90
	5.0	30.0	66.0	40.0	34.0	24.0	14.3	9.3	6.9	4.8	2.4	93
	6.0	34.5	68.0	44.0	34.0	30.0	20.0	10.5	6.5	4.9	1.7	91
AGP-P12-3	1.7	19.0	46.0	19.8	10.5	7.0	3.0	-	-	-	-	43
	2.2	22.5	52.0	30.0	12.0	8.2	5.8	2.7	-	-	-	58
	3.14	29.0	62.0	38.0	28.0	10.0	7.7	6.7	4.8	2.9	1.4	90
	4.0	35.0	68.0	40.0	34.0	24.0	11.4	5.7	4.2	3.0	1.2	88

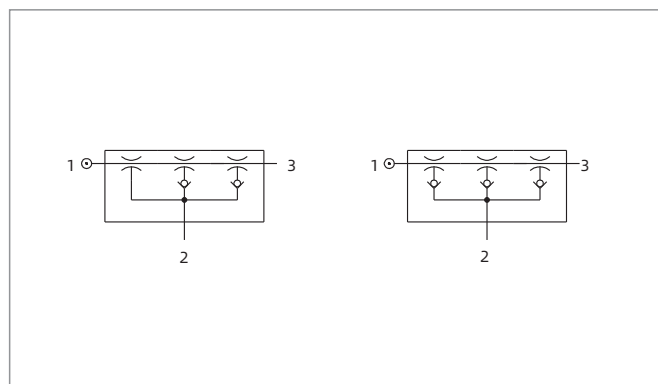
Evacuation time(s/L) to reach different vacuum levels(-kPa)

Model	Air supply pressure bar	Air consumption NL/min	10	20	30	40	50	60	70	80	Max. vacuum level -kPa
AGP-S08-3	4.0	19.0	0.06	0.22	0.53	0.93	1.72	4.61	-	-	60
	5.0	23.0	0.06	0.19	0.44	0.83	1.35	2.23	6.33	-	70
	6.0	27.0	0.05	0.19	0.38	0.68	1.26	2.08	3.05	-	75
AGP-X10-3	4.5	27.5	0.06	0.19	0.40	0.76	1.45	2.21	3.49	5.55	90
	5.0	30.0	0.05	0.19	0.37	0.66	1.26	2.14	3.45	5.60	93
	6.0	34.5	0.05	0.18	0.35	0.59	1.02	2.10	3.31	5.72	91
AGP-P12-3	1.7	19.0	0.13	0.52	1.22	2.75	-	-	-	-	43
	2.2	22.5	0.08	0.31	0.70	1.33	2.54	-	-	-	58
	3.14	29.0	0.06	0.21	0.45	0.94	1.58	2.40	3.83	6.07	90
	4.0	35.0	0.06	0.20	0.38	0.67	1.26	2.36	3.75	6.57	88

Dimensions(mm)



AGP Air circuit schematic diagram



◇ Note: 1. Air supply port, 2. Vacuum port, 3. Exhaust port

AGP

Vacuum Generator

AZK

AZQ

AZX

AZD

AGS

AGB

AGP

AGX

AGE

ABM/ABX

ABM/ABX
Combined Type

AMC

AM/AL/AH

AM/AL
Combined Type

AMD

AZW

AZR

ABT

ABP

ABQ

AEVC

AZL

ALH

AZH

AZU

ACV

ASBP

ALS

ACP

ACPF

ACPS

APB

AGX Series

Vacuum Generator



ELECTRONICS



METAL SHEET



PACKAGING

Features

- ◇ Fast evacuation, high vacuum level, low air consumption
- ◇ Built-in vacuum cartridge
- ◇ Small size, simple structure, groove type installation structure
- ◇ There are 6 vacuum ports with G1/4 female thread

Advantages

- ◇ High efficient and energy-saving vacuum generator, can quickly reach the max. vacuum level
- ◇ The suitable vacuum generators can be selected according to different working conditions
- ◇ Simple installation structure, can be installed quickly
- ◇ Multiple suction cups can be connected at the same time
- ◇ Reduce product noise



Applications

- ◇ The working conditions where multiple suction cups are directly installed at the same time
- ◇ Applicable to the working conditions that require fast evacuation and low air consumption

Structure

- ◇ Housing can be freely matched with vacuum cartridges with different performance parameters
- ◇ The air supply port is directly inserted into the $\phi 8$ hose, the vacuum port is G1/4 female thread

How to order

AGX - S32-3

①

②

① Series	② Specification
AGX	S32-3 (-75kPa) X40-3 (-95kPa)

AGX Series

Vacuum Generator

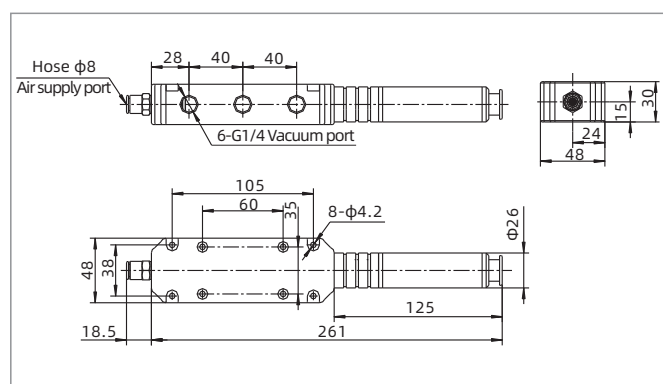
Vacuum flow(NL/min) at different vacuum levels(-kPa)

Model	Air supply pressure bar	Air consumption NL/min	0	10	20	30	40	50	60	70	80	90	Max. vacuum level -kPa
AGX-S32-3	4.0	120	350	152	110	64	50	26.7	11.5	-	-	-	60
	5.0	125	370	185	125	90	50	36.2	27.3	13.9	-	-	70
	6.0	130	390	210	135	100	65	35.1	30.3	18.3	-	-	75
AGX-X40-3	4.5	120	350	175	120	80	44	32.7	24.5	17.8	11.6	3.2	91
	5.0	125	360	190	125	95	65	36.0	26.0	17.6	10.8	2.8	95
	6.0	135	380	220	130	105	90	54.0	26.0	17.8	9.3	2.2	94

Evacuation time(s/L) to reach different vacuum levels(-kPa)

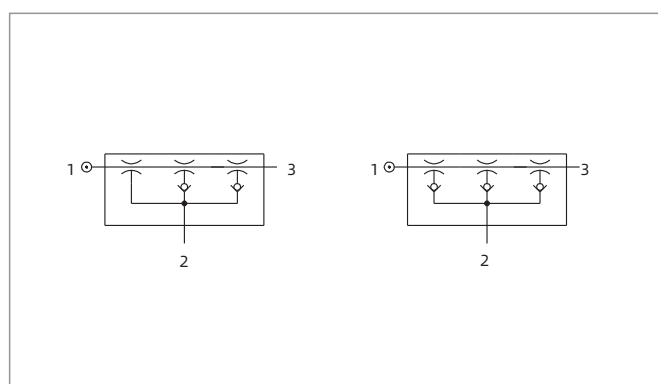
Model	Air supply pressure bar	Air consumption NL/min	10	20	30	40	50	60	70	80	90	Max. vacuum level -kPa
AGX-S32-3	4.0	120	0.03	0.08	0.15	0.26	0.44	11.5	-	-	-	60
	5.0	125	0.03	0.07	0.13	0.23	0.38	27.3	1.07	-	-	70
	6.0	130	0.03	0.05	0.10	0.18	0.36	30.3	0.87	-	-	75
AGX-X40-3	4.5	120	0.03	0.07	0.13	0.23	0.38	24.5	0.97	1.50	3.25	91
	5.0	125	0.03	0.07	0.14	0.21	0.37	26.0	0.99	1.46	3.23	95
	6.0	135	0.03	0.05	0.10	0.16	0.27	26.0	0.86	1.45	3.92	94

Dimensions(mm)



AGX

AGX Air circuit schematic diagram



◇ Note: 1. Air supply port, 2. Vacuum port, 3. Exhaust port

Vacuum Generator

AZK

AZQ

AZX

AZD

AGS

AGB

AGP

AGX

AGE

ABM/ABX

ABM/ABX
Combined Type

AMC

AM/AL/AH

AM/AL
Combined Type

AMD

AZW

AZR

ABT

ABP

ABQ

AEVC

AZL

ALH

AZH

AZU

ACV

ASBP

ALS

ACP

ACPF

ACPS

APB

AGE Series



Mechanical Energy-saving Vacuum Generator



GLASS



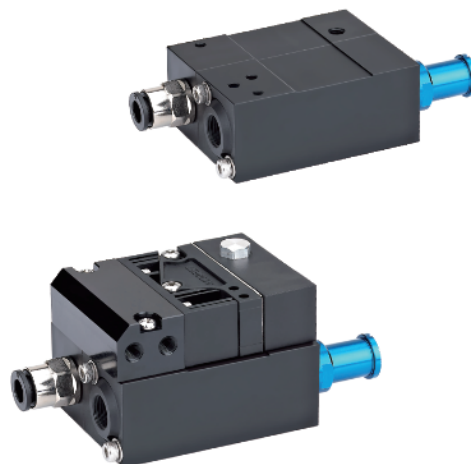
METAL SHEET

Features

- ◇ Mechanical energy saving mode, the generator itself automatically saves energy after the vacuum level reaches the set value, and then the air supply stops
- ◇ Optional energy saving function can save up to 99% of the air consumption
- ◇ Can adapt to a variety of working conditions, can work in dust and water environment
- ◇ Internal blow valve allows rapid release of workpiece and maintain vacuum in sealed applications in the event of system or power failure
- ◇ Internal filter is equipped to protect the device from dust and particles

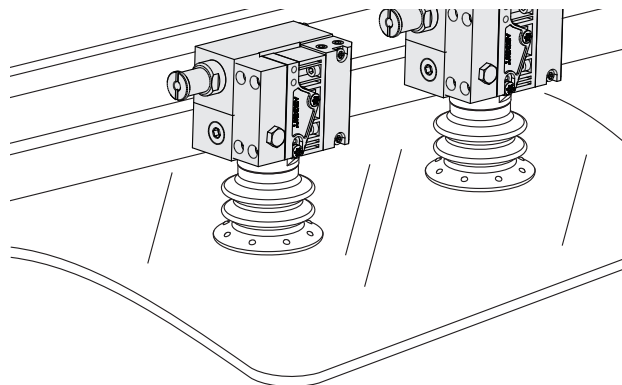
Advantages

- ◇ Energy-saving function is realized by the generator itself, electric control is not required
- ◇ Strong anti-pollution ability
- ◇ Energy-saving function, it can help customers to minimize the cost
- ◇ Two-stage generator, vacuum level can reach to -92kPa quickly



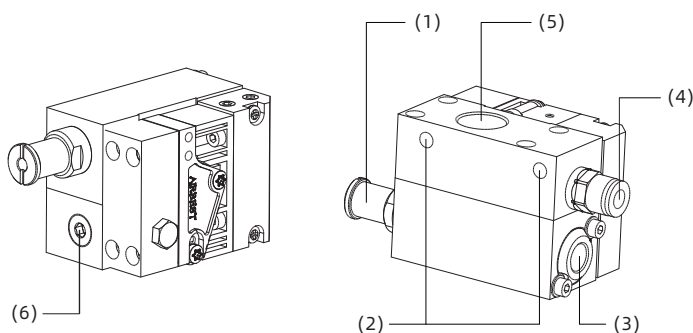
Applications

- ◇ Applicable to glass, metal sheet and other workpieces with good sealed surface
- ◇ Applicable to the occasions with water, dust and other places where the electric precision instrument can not work properly
- ◇ Suitable for glass grinding



Structure

- ◇ (1) Exhaust port
- ◇ (2) Mounting hole
- ◇ (3) Air supply port
- ◇ (4) Vacuum release port
- ◇ (5) Vacuum port
- ◇ (6) Vacuum detecting port



AGE Series

Mechanical Energy-saving Vacuum Generator

How to order

AGE - ES

① ②

① Series	② Control device
AGE	Nil - Default, without control device ES - Energy-saving system

Selection

Model/Control device	ES
Nil	ES
AGE	AGE-ES

Technical parameters

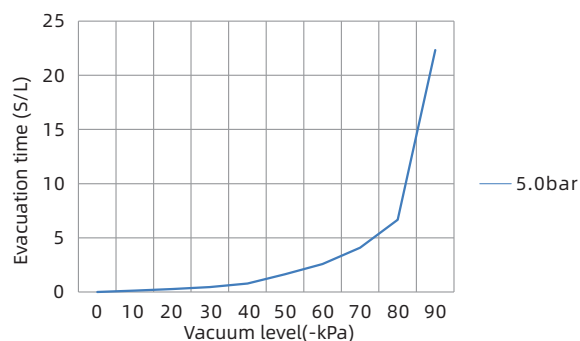
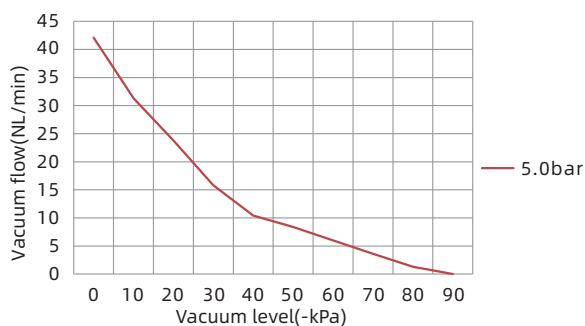
Model	Rated air supply pressure bar	Max.vacuum level -kPa	Max.vacuum flow NL/min	Noise level dB(A)	Weight g
AGE	5.0	92	41	68.5	177
AGE-ES	5.0	92	41	68.5	258

Vacuum flow(NL/min) at different vacuum levels(-kPa)

Model	Air supply pressure bar	Air consumption NL/min	Vacuum level (-kPa)											Max. vacuum level -kPa
			0	10	20	30	40	50	60	70	80	90		
AGE	5.0	29	42.1	31.3	23.8	15.8	10.4	8.4	6.0	3.6	1.3	0	92	

Evacuation time(s/L) to reach different vacuum levels(-kPa)

Model	Air supply pressure bar	Air consumption NL/min	Vacuum level (-kPa)										Max. vacuum level -kPa
			10	20	30	40	50	60	70	80	90		
AGE	5.0	29	0.14	0.28	0.47	0.79	1.64	2.59	4.09	6.68	22.32	92	

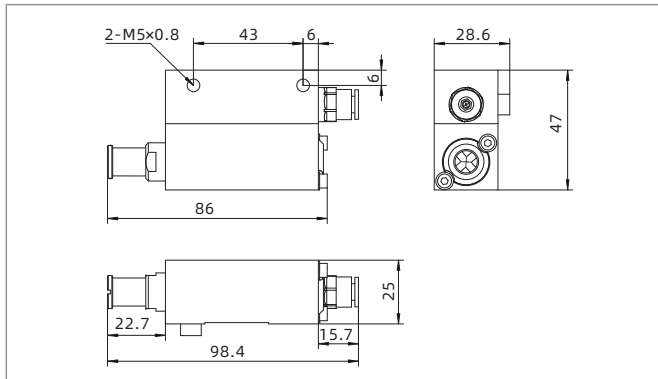


AGE Series

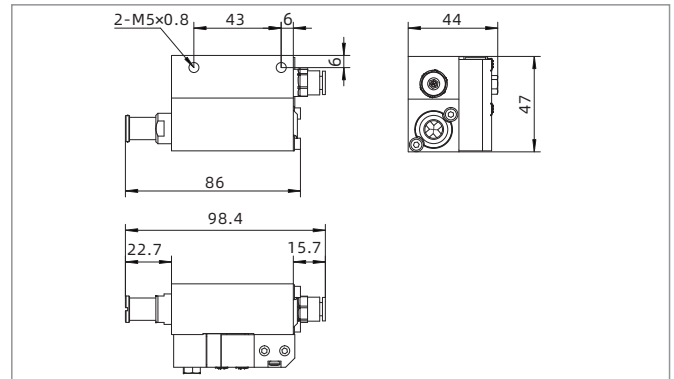


Mechanical Energy-saving Vacuum Generator

Dimensions(mm)

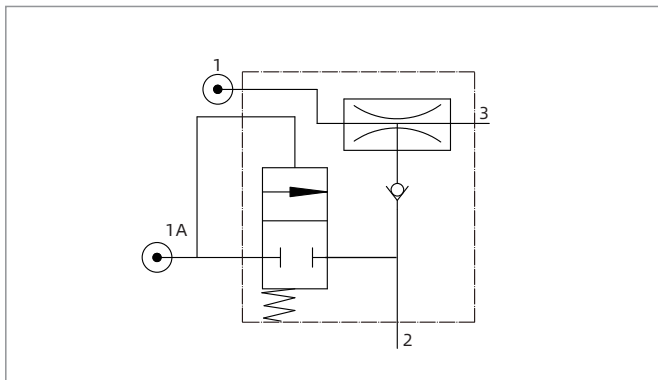


AGE

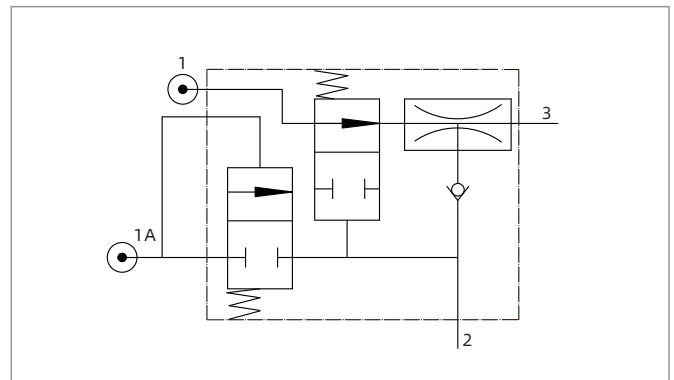


AGE-ES

Air circuit schematic diagram



AGE



AGE-ES

ABM/ABX Series

Mini Vacuum Generator



Features

- ◇ Energy-efficient nozzle design
- ◇ Small size, light weight, can be connected with suction cup directly
- ◇ There are a variety of air port specifications (A,NA ,B,NB,C,NC)
- ◇ Built-in silencer and external silencer are optional

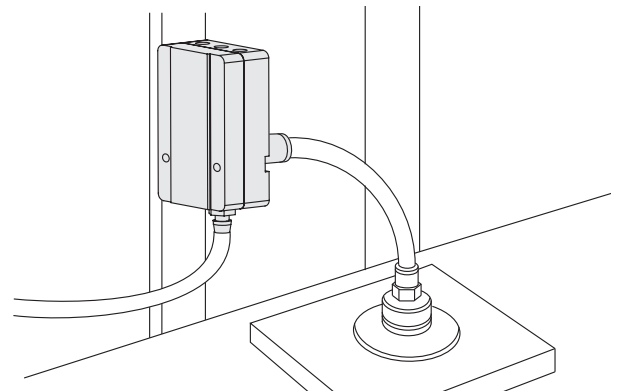
Advantages

- ◇ It can produce more vacuum flow in the condition of less air consumption
- ◇ For the occasions with limited installation space and weight
- ◇ Suitable port connection specifications can be selected according to the on-site requirements
- ◇ It can meet different requirements of vacuum flow in different working conditions
- ◇ Reduce product noise greatly



Applications

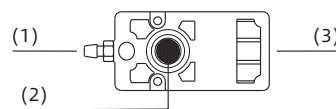
- ◇ Universal vacuum generator, widely used in all kinds of vacuum systems
- ◇ Suitable for metal plate handling, packaging machinery, injection molding and industrial robot technology field



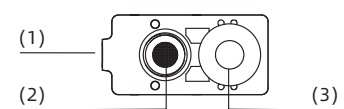
Structure

- ◇ (1) Air supply port
- ◇ (2) Vacuum port
- ◇ (3) Exhaust port
- ◇ (4) Vacuum filter
- ◇ (5) Silencer

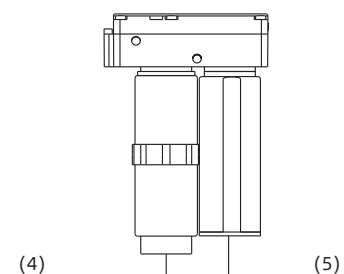
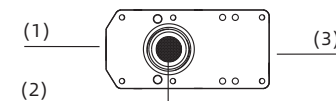
A NA type



C NC type



B NB type



AZK

AZQ

AZX

AZD

AGS

AGB

AGP

AGX

AGE

ABM/ABX

ABM/ABX Combined Type

AMC

AM/AL/AH

AM/AL Combined Type

AMD

AZW

AZR

ABT

ABP

ABQ

AEVC

AZL

ALH

AZH

AZU

ACV

ASBP

ALS

ACP

ACPF

ACPS

APB

ABM/ABX Series

Mini Vacuum Generator

How to order

ABM 10 - B - F
 ① ② ③ ④

① Series	② Specification	③ Port connection	④ Sealing
ABM - Universal type (-85kPa)	5	A NA	Nil - Default,NBR
ABX - High vacuum level type (-92kPa)	10	B NB	F - Fluorine rubber
	20	C NC	E - EPDM
	30	(Refer to table1)	

Port connection table1

Port connection	Air supply port	Vacuum port	Exhaust port	Applicable vacuum generator
A	M5-φ6	G1/8	Internal silencer	ABM5、10 ABX5、10
NA	M5-φ6	NPSF1/8	Internal silencer	ABM5、10 ABX5、10
B	G1/8	G3/8	Internal silencer	ABM5、10、20、30 ABX5、10、20、30
NB	NPSF1/8	NPSF3/8	Internal silencer	ABM5、10、20、30 ABX5、10、20、30
C	G1/8	G3/8	External silencer	ABM5、10、20、30 ABX5、10、20、30
NC	NPSF1/8	NPSF3/8	External silencer	ABM5、10、20、30 ABX5、10、20、30

Selection - ABM

Model/ Specification	A	NA	B	NB	C	NC
ABM5-□	ABM5-A	ABM5-NA	ABM5-B	ABM5-NB	ABM5-C	ABM5-NC
ABM10-□	ABM10-A	ABM10-NA	ABM10-B	ABM10-NB	ABM10-C	ABM10-NC
ABM20-□	-	-	ABM20-B	ABM20-NB	ABM20-C	ABM20-NC
ABM30-□	-	-	ABM30-B	ABM30-NB	ABM30-C	ABM30-NC

Selection - ABX

Model/ Specification	A	NA	B	NB	C	NC
ABX5-□	ABX5-A	ABX5-NA	ABX5-B	ABX5-NB	ABX5-C	ABX5-NC
ABX10-□	ABX10-A	ABX10-NA	ABX10-B	ABX10-NB	ABX10-C	ABX10-NC
ABX20-□	-	-	ABX20-B	ABX20-NB	ABX20-C	ABX20-NC
ABX30-□	-	-	ABX30-B	ABX30-NB	ABX30-C	ABX30-NC

ABM/ABX Series

Mini Vacuum Generator



Technical parameters - ABM

Model	Air supply pressure range bar	Max. vacuum level -kPa	Max. vacuum flow NL/min	Air consumption NL/min	Noise level dB(A)	Working temperature °C	Recommended hose dia. mm	
							Air supply port P	Vacuum port V
ABM5	4.5~6.0	85	35~37	12~20	50~65	-20~80	φ6	φ8
ABM10	4.5~6.0	85	70~75	28~42	55~68	-20~80	φ6	φ10
ABM20	4.5~6.0	85	141~150	55~85	60~68	-20~80	φ8	φ12
ABM30	4.5~6.0	85	175~220	87~125	60~68	-20~80	φ10	φ12

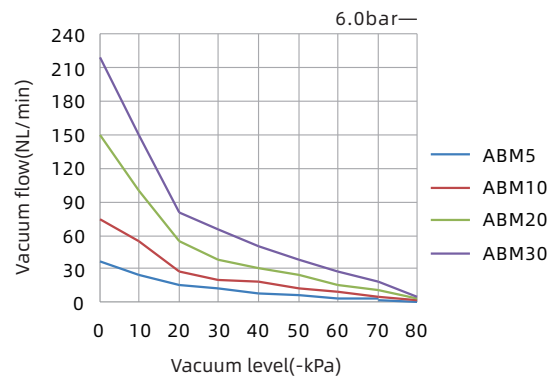
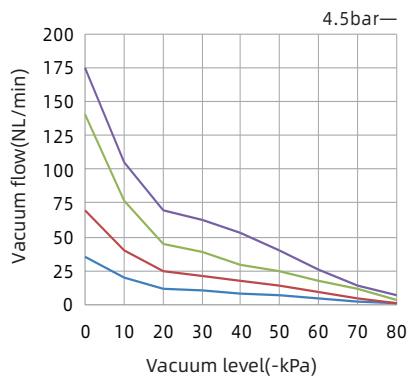
Technical parameters - ABX

Model	Air supply pressure range bar	Max. vacuum level -kPa	Max. vacuum flow NL/min	Air consumption NL/min	Noise level dB(A)	Working temperature °C	Recommended hose dia. mm	
							Air supply port P	Vacuum port V
ABX5	4.5~6.0	92	30~32	18~22	50~65	-20~80	φ6	φ8
ABX10	4.5~6.0	92	52~63	31~40	55~68	-20~80	φ6	φ10
ABX20	4.5~6.0	92	110~125	79~89	60~69	-20~80	φ8	φ12
ABX30	4.5~6.0	92	180~185	128~137	60~69	-20~80	φ10	φ12

◇ Note: Max. air supply pressure is 7.0 bar

Vacuum flow(NL/min) at different vacuum levels(-kPa)

Model	Air supply pressure bar	Air consumption NL/min	Vacuum level(-kPa)										Max. vacuum level -kPa
			0	10	20	30	40	50	60	70	80		
ABM5	4.5	12	35.0	20.5	12.0	10.5	8.5	6.5	4.5	2.5	0.8	85	
ABM10	4.5	28	70.0	40.5	25.0	21.0	18.0	14.0	9.5	5.0	1.3	85	
ABM20	4.5	55	141.0	77.0	45.0	39.5	29.5	25.0	17.5	12.0	3.0	85	
ABM30	4.5	87	175.0	105.0	70.0	63.0	53.0	40.0	26.0	14.0	6.5	85	
ABM5	6.0	20	37.0	25.0	15.5	12.0	8.0	6.0	4.0	2.7	0.6	85	
ABM10	6.0	42	75.0	55.0	27.0	20.0	18.0	12.0	9.0	5.0	2.0	85	
ABM20	6.0	85	150.0	100.0	55.0	38.0	30.0	24.0	16.0	11.0	3.2	85	
ABM30	6.0	125	220.0	150.0	81.0	65.0	50.0	38.0	27.0	18.0	5.0	85	



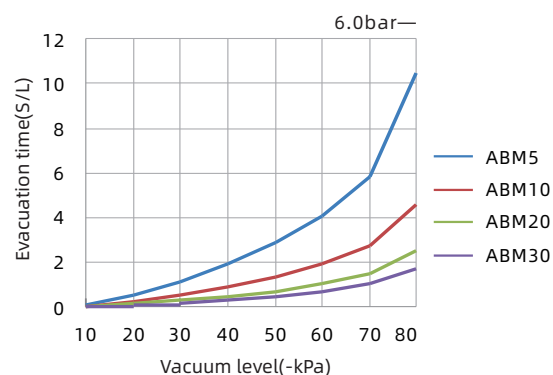
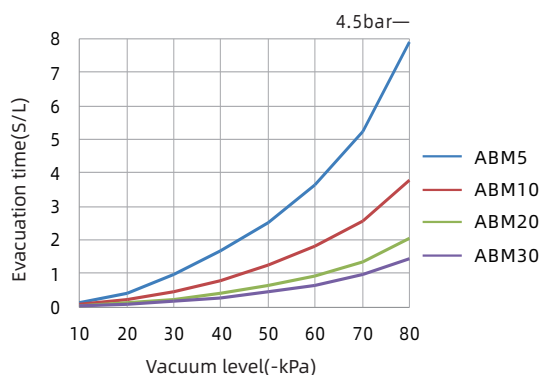
ABM/ABX Series

Mini Vacuum Generator



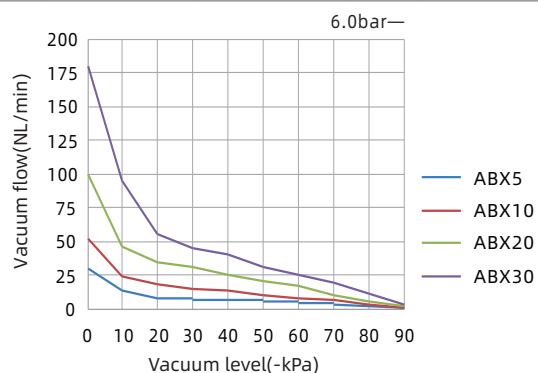
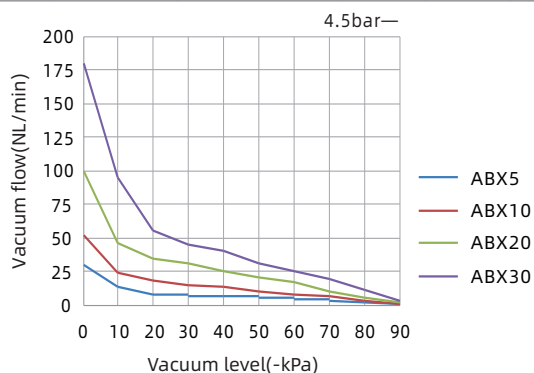
Evacuation time(s/L) to reach different vacuum levels(-kPa)

Model	Air supply pressure bar	Air consumption NL/min	10	20	30	40	50	60	70	80	Max. vacuum level -kPa
ABM5	4.5	12	0.11	0.42	0.95	1.66	2.50	3.65	5.25	7.89	85
ABM10	4.5	28	0.08	0.20	0.44	0.80	1.24	1.80	2.55	3.80	85
ABM20	4.5	55	0.04	0.12	0.23	0.41	0.65	0.93	1.33	2.03	85
ABM30	4.5	87	0.03	0.09	0.16	0.27	0.43	0.66	0.95	1.43	85
ABM5	6.0	20	0.13	0.51	1.15	1.93	2.87	4.09	5.84	10.46	85
ABM10	6.0	42	0.03	0.23	0.53	0.92	1.37	1.95	2.77	4.62	85
ABM20	6.0	85	0.02	0.15	0.28	0.46	0.71	1.02	1.48	2.55	85
ABM30	6.0	125	0.02	0.08	0.14	0.31	0.49	0.69	1.02	1.75	85



Vacuum flow(NL/min) at different vacuum levels(-kPa)

Model	Air supply pressure bar	Air consumption NL/min	0	10	20	30	40	50	60	70	80	90	Max. vacuum level -kPa
ABX5	4.5	18	30.0	13.0	7.5	7.0	6.0	5.0	4.0	3.2	1.8	0.4	92
ABX10	4.5	31	52.0	24.0	18.0	15.0	13.0	10.5	8.0	6.0	2.5	0.8	92
ABX20	4.5	79	100.0	46.0	34.0	30.5	25.0	21.0	17.0	10.5	5.0	1.6	92
ABX30	5.0	128	180.0	95.0	55.0	45.5	40.5	30.5	25.0	19.0	11.5	3.0	92
ABX5	6.0	22	32.0	20.0	8.5	7.5	6.0	5.0	4.0	3.0	1.5	0.15	92
ABX10	6.0	40	63.0	36.0	18.0	16.0	12.5	10.5	8.5	6.0	3.5	0.5	92
ABX20	6.0	89	125.0	73.0	35.0	30.0	25.0	22.0	18.0	12.0	7.0	0.9	92
ABX30	6.0	137	185.0	103.0	51.0	46.0	38.0	31.0	25.0	19.0	12.0	1.8	92



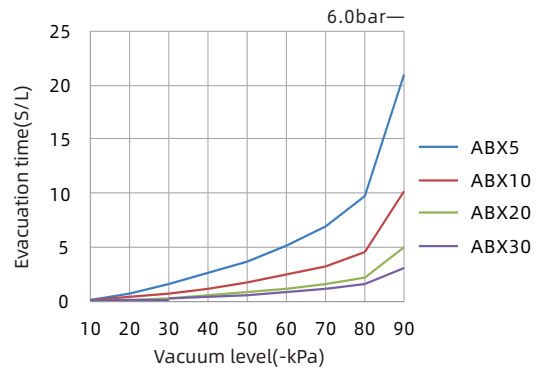
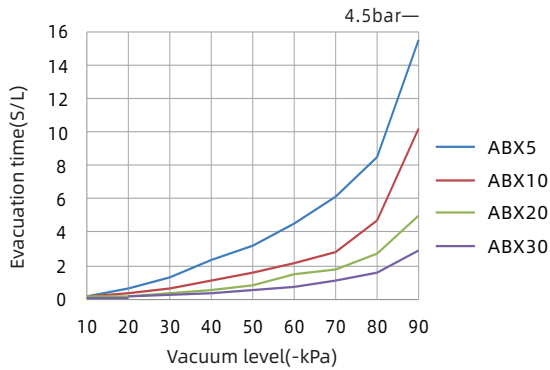
ABM/ABX Series

Mini Vacuum Generator

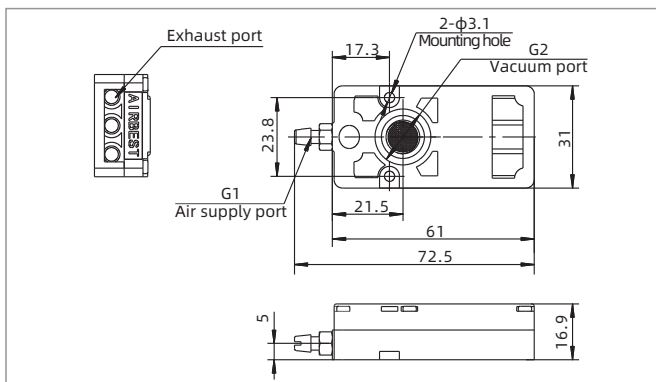


Evacuation time(s/L) to reach different vacuum levels(-kPa)

Model	Air supply pressure bar	Air consumption NL/min	10	20	30	40	50	60	70	80	90	Max. vacuum level -kPa
ABX5	4.5	18	0.13	0.60	1.26	2.30	3.20	4.50	6.15	8.50	15.50	92
ABX10	4.5	31	0.11	0.30	0.65	1.10	1.55	2.15	2.85	4.70	10.20	92
ABX20	4.5	79	0.09	0.16	0.32	0.55	0.80	1.50	1.80	2.70	5.00	92
ABX30	5.0	128	0.06	0.12	0.23	0.36	0.53	0.76	1.10	1.60	2.90	92
ABX5	6.0	22	0.15	0.71	1.52	2.54	3.72	5.12	6.95	9.70	21.00	92
ABX10	6.0	40	0.09	0.32	0.71	1.18	1.74	2.40	3.26	4.55	10.20	92
ABX20	6.0	89	0.05	0.15	0.31	0.52	0.77	1.08	1.54	2.15	4.92	92
ABX30	6.0	137	0.03	0.13	0.23	0.38	0.58	0.82	1.11	1.54	3.00	92



Dimensions(mm)



ABM5-A/NA ABM10-A/NA
 ABX5-A/NA ABX10-A/NA

Model/size	G1	G2	Weight g
ABM/ABX5-A	φ6	G1/8	58
ABM/ABX5-NA	φ6	NPSF1/8	58
ABM/ABX10-A	φ6	G1/8	59
ABM/ABX10-NA	φ6	NPSF1/8	59

Vacuum Generator

AZK

AZQ

AZX

AZD

AGS

AGB

AGP

AGX

AGE

ABM/ABX

ABM/ABX Combined Type

AMC

AM/AL/AH

AM/AL Combined Type

AMD

AZW

AZR

ABT

ABP

ABQ

AEVC

AZL

ALH

AZH

AZU

ACV

ASBP

ALS

ACP

ACPF

ACPS

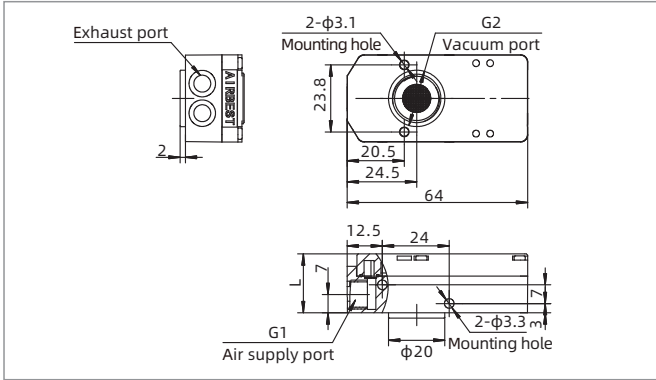
APB

ABM/ABX Series

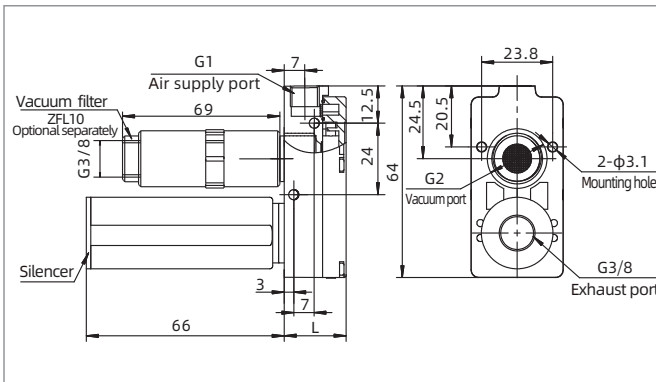
Mini Vacuum Generator



Dimensions(mm)



ABM(5-30)-B/NB ABX(5-30)-B/NB

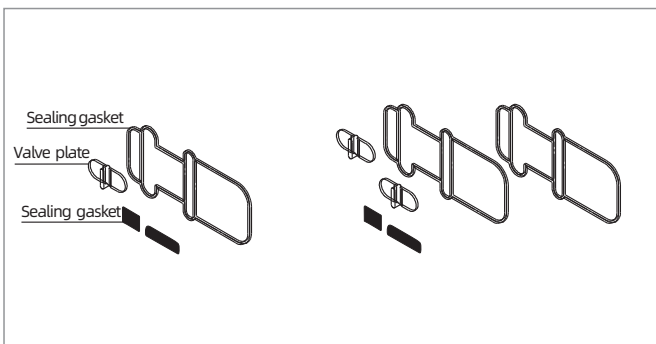


ABM(5-30)-C/NC ABX(5-30)-C/NC

Model/size	G1	G2	L	Weight g
ABM/ABX5-B	G1/8	G3/8	20.7	64
ABM/ABX5-NB	NPSF1/8	NPSF3/8	20.7	64
ABM/ABX10-B	G1/8	G3/8	20.7	64
ABM/ABX10-NB	NPSF1/8	NPSF3/8	20.7	64
ABM/ABX20-B	G1/8	G3/8	28	77
ABM/ABX20-NB	NPSF1/8	NPSF3/8	28	77
ABM/ABX30-B	G1/8	G3/8	35	89
ABM/ABX30-NB	NPSF1/8	NPSF3/8	35	89

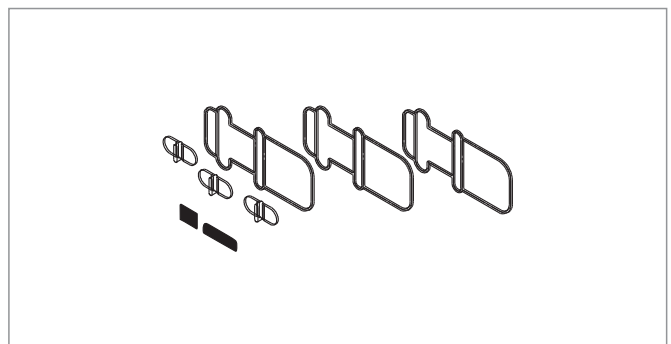
Model/size	G1	G2	L	Weight g
ABM/ABX5-C	G1/8	G3/8	20.7	84
ABM/ABX5-NC	NPSF1/8	NPSF3/8	20.7	84
ABM/ABX10-C	G1/8	G3/8	20.7	87
ABM/ABX10-NC	NPSF1/8	NPSF3/8	20.7	87
ABM/ABX20-C	G1/8	G3/8	28	100
ABM/ABX20-NC	NPSF1/8	NPSF3/8	28	100
ABM/ABX30-C	G1/8	G3/8	35	112
ABM/ABX30-NC	NPSF1/8	NPSF3/8	35	112

Repair kits



ABM10-PK

ABM20-PK



ABM30-PK

Item	Sealing kits model			Model	Applicable vacuum generator
	NBR	F	E		
Sealing kits	ABM10-PK	ABM10-F-PK	ABM10-E-PK	-	ABM/ABX(5-10)
Sealing kits	ABM20-PK	ABM20-F-PK	ABM20-E-PK	-	ABM/ABX20
Sealing kits	ABM30-PK	ABM30-F-PK	ABM30-E-PK	-	ABM/ABX30
Vacuum filter	-	-	-	ZFL10	ABM/ABX(5-30)-B,NB,C,NC
Silencer	-	-	-	ZSA-G3M	ABM/ABX(5-30)-C,NC

ABM/ABX Series

Mini Combined Type Vacuum Generator



Features

- ◇ Energy-efficient nozzle design
- ◇ Small size, light weight, compact structure, easy installation
- ◇ Can be operated with a single pneumatic control valve, each vacuum circuit can be controlled by each ABM/ABX and does not affect the running of other circuits

Advantages

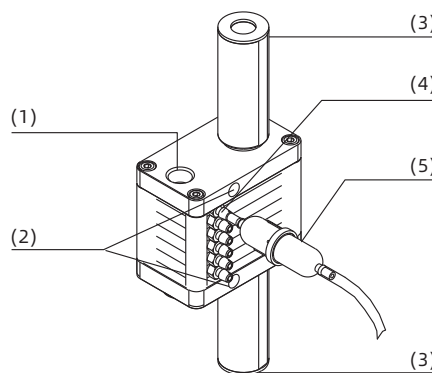
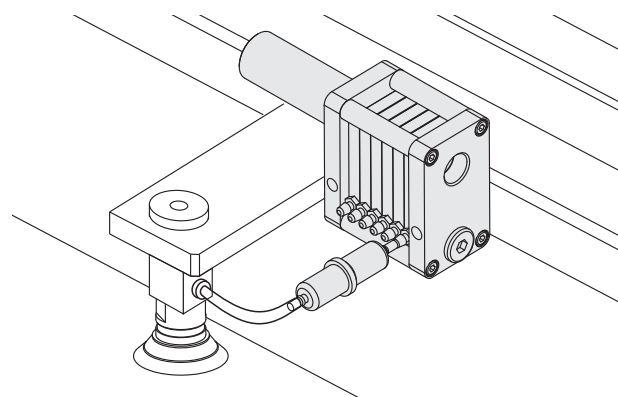
- ◇ It can produce more vacuum flow in the condition of less air consumption
- ◇ For the occasions with limited installation space and weight
- ◇ It is convenient to control, it can control each circuit separately in the working condition of multiple units are used seperately
- ◇ It can meet different requirements of vacuum flow in different working conditions

Applications

- ◇ Universal vacuum generator, widely used in all kinds of vacuum systems
- ◇ Suitable for metal plate handling, packaging machinery, injection molding and industrial robot technology field

Structure

- ◇ (1) Air supply port
- ◇ (2) Mounting hole
- ◇ (3) Silencer
- ◇ (4) Vacuum port
- ◇ (5) Vacuum filter



Vacuum Generator

AZK

AZQ

AZX

AZD

AGS

AGB

AGP

AGX

AGE

ABM/ABX

ABM/ABX
Combined Type

AMC

AM/AL/AH

AM/AL
Combined Type

AMD

AZW

AZR

ABT

ABP

ABQ

AEVC

AZL

ALH

AZH

AZU

ACV

ASBP

ALS

ACP

ACPF

ACPS

APB

ABM/ABX Series



Mini Combined Type Vacuum Generator

How to order

ABM 5 × 5 - 4 - F
 ① ② ③ ④ ⑤

① Series	② Specification	③ Vacuum stack	④ Hose inner dia.at vacuum port	⑤ Sealing
ABM - Universal type(-85kPa)	5	2	4 - φ4mm	Nil - Default, NBR
ABX - High vacuum level type(-92kPa)	10	3		F - Fluorine rubber
			E - EPDM
		16		

Selection

Model/ Specification	5	10	Model/ Specification	5	10
ABM□×2-4	ABM5×2-4	ABM10×2-4	ABX□×2-4	ABX5×2-4	ABX10×2-4
ABM□×3-4	ABM5×3-4	ABM10×3-4	ABX□×3-4	ABX5×3-4	ABX10×3-4
ABM□×4-4	ABM5×4-4	ABM10×4-4	ABX□×4-4	ABX5×4-4	ABX10×4-4
ABM□×5-4	ABM5×5-4	ABM10×5-4	ABX□×5-4	ABX5×5-4	ABX10×5-4
ABM□×6-4	ABM5×6-4	ABM10×6-4	ABX□×6-4	ABX5×6-4	ABX10×6-4
ABM□×7-4	ABM5×7-4	ABM10×7-4	ABX□×7-4	ABX5×7-4	ABX10×7-4
ABM□×8-4	ABM5×8-4	ABM10×8-4	ABX□×8-4	ABX5×8-4	ABX10×8-4
ABM□×9-4	ABM5×9-4	ABM10×9-4	ABX□×9-4	ABX5×9-4	ABX5×9-4
ABM□×10-4	ABM5×10-4	ABM10×10-4	ABX□×10-4	ABX5×10-4	ABX5×10-4
ABM□×11-4	ABM5×11-4	ABM10×11-4	ABX□×11-4	ABX5×11-4	ABX5×11-4
ABM□×12-4	ABM5×12-4	ABM10×12-4	ABX□×12-4	ABX5×12-4	ABX5×12-4
ABM□×13-4	ABM5×13-4	ABM10×13-4	ABX□×13-4	ABX5×13-4	-
ABM□×14-4	ABM5×14-4	ABM10×14-4	ABX□×14-4	ABX5×14-4	-
ABM□×15-4	ABM5×15-4	ABM10×15-4	ABX□×15-4	ABX5×15-4	-
ABM□×16-4	ABM5×16-4	ABM10×16-4	ABX□×16-4	ABX5×16-4	-

ABM/ABX Series

Mini Combined Type Vacuum Generator



Technical parameters

Model	Air supply pressure range bar	Max. vacuum level -kPa	Max. vacuum flow NL/min	Air consumption NL/min	Noise level dB(A)	Working temperature °C	Weight g	Recommended hose dia. (mm)		
								Air supply port P	Vacuum port V	Exhaust port E
ABM5×2-4	4.5~6.0	85	25×2	29~41	50~60	-20~80	67	φ6	φ6	G3/8×1
ABM5×3-4	4.5~6.0	85	25×3	44~64	50~60	-20~80	80	φ6	φ6	G3/8×1
ABM5×4-4	4.5~6.0	85	25×4	61~85	50~60	-20~80	247	φ8	φ6	G3/8×1
ABM5×5-4	4.5~6.0	85	25×5	71~104	60~65	-20~80	255	φ8	φ6	G3/8×1
ABM5×6-4	4.5~6.0	85	25×6	89~125	60~65	-20~80	281	φ8	φ6	G3/8×1
ABM5×7-4	4.5~6.0	85	25×7	104~145	60~65	-20~80	299	φ8	φ6	G3/8×1
ABM5×8-4	4.5~6.0	85	25×8	120~168	60~65	-20~80	317	φ10	φ6	G3/8×1
ABM5×9-4	4.5~6.0	85	25×9	132~190	60~65	-20~80	335	φ10	φ6	G3/8×1
ABM5×10-4	4.5~6.0	85	25×10	148~211	60~65	-20~80	353	φ10	φ6	G3/8×1
ABM5×11-4	4.5~6.0	85	25×11	165~232	60~65	-20~80	371	φ10	φ6	G3/8×1
ABM5×12-4	4.5~6.0	85	25×12	180~252	60~65	-20~80	389	φ10	φ6	G3/8×2
ABM5×13-4	4.5~6.0	85	25×13	195~275	60~65	-20~80	417	φ10	φ6	G3/8×2
ABM5×14-4	4.5~6.0	85	25×14	208~293	60~65	-20~80	435	φ10	φ6	G3/8×2
ABM5×15-4	4.5~6.0	85	25×15	225~316	60~65	-20~80	453	φ12	φ6	G3/8×2
ABM5×16-4	4.5~6.0	85	25×16	241~335	60~65	-20~80	471	φ12	φ6	G3/8×2
ABM10×2-4	4.5~6.0	85	32×2	61~85	55~60	-20~80	67	φ8	φ6	G3/8×1
ABM10×3-4	4.5~6.0	85	32×3	91~125	60~65	-20~80	80	φ8	φ6	G3/8×1
ABM10×4-4	4.5~6.0	85	32×4	121~167	60~65	-20~80	247	φ10	φ6	G3/8×1
ABM10×5-4	4.5~6.0	85	32×5	151~212	60~65	-20~80	255	φ10	φ6	G3/8×1
ABM10×6-4	4.5~6.0	85	32×6	185~255	60~65	-20~80	281	φ10	φ6	G3/8×2
ABM10×7-4	4.5~6.0	85	32×7	211~295	60~65	-20~80	299	φ10	φ6	G3/8×2
ABM10×8-4	4.5~6.0	85	32×8	241~335	60~65	-20~80	327	φ10	φ6	G3/8×2
ABM10×9-4	4.5~6.0	85	32×9	271~376	60~65	-20~80	345	φ12	φ6	G3/8×2
ABM10×10-4	4.5~6.0	85	32×10	301~421	60~65	-20~80	363	φ12	φ6	G3/8×2
ABM10×11-4	4.5~6.0	85	32×11	332~463	60~65	-20~80	381	φ12	φ6	G3/8×2
ABM10×12-4	4.5~6.0	85	32×12	361~505	60~65	-20~80	399	φ12	φ6	G3/8×2

◇ Note: Max. air supply pressure is 7.0 bar

Vacuum flow(NL/min) at different vacuum levels(-kPa)

Model	Air supply pressure bar	Air consumption NL/min	Vacuum level (-kPa)											Max. vacuum level -kPa
			0	10	20	30	40	50	60	70	80	90		
ABM5×1	6.0	20	25.0	15.0	12.5	11.0	10.0	7.5	5.5	2.0	0.6	-	85	
ABM10×1	6.0	42	32.0	28.0	24.0	22.0	18.0	15.0	11.0	5.0	1.4	-	85	

Evacuation time(s/L) to reach different vacuum levels(-kPa)

Model	Air supply pressure bar	Air consumption NL/min	Vacuum level (-kPa)											Max. vacuum level -kPa
			10	20	30	40	50	60	70	80	90			
ABM5×1	6.0	20	0.20	0.59	1.10	1.58	2.40	3.52	5.30	10.30	-	85		
ABM10×1	6.0	42	0.12	0.28	0.60	0.81	1.18	1.82	2.65	5.21	-	85		

Vacuum Generator

AZK

AZQ

AZX

AZD

AGS

AGB

AGP

AGX

AGE

ABM/ABX

ABM/ABX Combined Type

AMC

AM/AL/AH

AM/AL Combined Type

AMD

AZW

AZR

ABT

ABP

ABQ

AEVC

AZL

ALH

AZH

AZU

ACV

ASBP

ALS

ACP

ACPF

ACPS

APB

ABM/ABX Series

Mini Combined Type Vacuum Generator



Technical parameters

Model	Air supply pressure range bar	Max. vacuum level -kPa	Max. vacuum flow NL/min	Air consumption NL/min	Noise level dB(A)	Working temperature °C	Weight g	Recommended hose dia. mm		
								Air supply port P	Vacuum port V	Exhaust port E
ABX5×2-4	4.5~6.0	92	23×2	43~49	55~60	-20~80	67	φ6	φ6	G3/8×1
ABX5×3-4	4.5~6.0	92	23×3	65~73	55~60	-20~80	80	φ6	φ6	G3/8×1
ABX5×4-4	4.5~6.0	92	23×4	85~96	60~63	-20~80	247	φ8	φ6	G3/8×1
ABX5×5-4	4.5~6.0	92	23×5	106~121	60~63	-20~80	255	φ8	φ6	G3/8×1
ABX5×6-4	4.5~6.0	92	23×6	130~144	60~63	-20~80	281	φ8	φ6	G3/8×1
ABX5×7-4	4.5~6.0	92	23×7	151~167	60~63	-20~80	299	φ8	φ6	G3/8×1
ABX5×8-4	4.5~6.0	92	23×8	173~193	60~63	-20~80	317	φ10	φ6	G3/8×1
ABX5×9-4	4.5~6.0	92	23×9	195~217	60~63	-20~80	335	φ10	φ6	G3/8×1
ABX5×10-4	4.5~6.0	92	23×10	215~241	60~63	-20~80	353	φ10	φ6	G3/8×1
ABX5×11-4	4.5~6.0	92	23×11	238~265	60~63	-20~80	371	φ10	φ6	G3/8×1
ABX5×12-4	4.5~6.0	92	23×12	260~289	60~63	-20~80	389	φ10	φ6	G3/8×2
ABX5×13-4	4.5~6.0	92	23×13	281~313	60~63	-20~80	417	φ10	φ6	G3/8×2
ABX5×14-4	4.5~6.0	92	23×14	335~346	60~63	-20~80	435	φ10	φ6	G3/8×2
ABX5×15-4	4.5~6.0	92	23×15	361~389	63~65	-20~80	453	φ10	φ6	G3/8×2
ABX5×16-4	4.5~6.0	92	23×16	346~385	63~65	-20~80	471	φ10	φ6	G3/8×2
ABX10×2-4	4.5~6.0	92	32×2	87~96	63~65	-20~80	67	φ8	φ6	G3/8×1
ABX10×3-4	4.5~6.0	92	32×3	130~145	63~65	-20~80	80	φ8	φ6	G3/8×1
ABX10×4-4	4.5~6.0	92	32×4	173~193	63~65	-20~80	247	φ10	φ6	G3/8×1
ABX10×5-4	4.5~6.0	92	32×5	215~241	63~65	-20~80	255	φ10	φ6	G3/8×1
ABX10×6-4	4.5~6.0	92	32×6	260~288	63~65	-20~80	281	φ10	φ6	G3/8×2
ABX10×7-4	4.5~6.0	92	32×7	303~337	63~65	-20~80	299	φ10	φ6	G3/8×2
ABX10×8-4	4.5~6.0	92	32×8	346~385	63~65	-20~80	327	φ10	φ6	G3/8×2
ABX10×9-4	4.5~6.0	92	32×9	389~433	63~65	-20~80	345	φ12	φ6	G3/8×2
ABX10×10-4	4.5~6.0	92	32×10	433~481	63~65	-20~80	363	φ12	φ6	G3/8×2
ABX10×11-4	4.5~6.0	92	32×11	476~529	63~65	-20~80	381	φ12	φ6	G3/8×2
ABX10×12-4	4.5~6.0	92	32×12	519~578	63~65	-20~80	399	φ12	φ6	G3/8×2

◇ Note: Max. air supply pressure is 7.0 bar.

Vacuum flow(NL/min) at different vacuum levels(-kPa)

Model	Air supply pressure bar	Air consumption NL/min	Vacuum level -kPa											Max. vacuum level -kPa
			0	10	20	30	40	50	60	70	80	90		
ABX5×1	6.0	22	23.0	14.0	10.0	9.0	7.5	6.0	4.0	2.8	1.5	0.44	92	
ABX10×1	6.0	40	32.0	21.0	18.0	16.0	14.0	11.0	9.5	5.5	2.5	1.10	92	

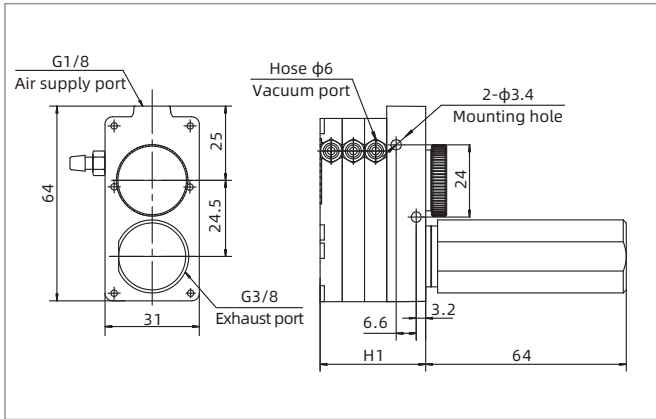
Evacuation time(s/L) to reach different vacuum levels(-kPa)

Model	Air supply pressure bar	Air consumption NL/min	Vacuum level -kPa											Max. vacuum level -kPa
			10	20	30	40	50	60	70	80	90			
ABX5×1	6.0	22	0.21	0.81	1.52	2.35	3.48	4.85	6.57	10.50	19.30	92		
ABX10×1	6.0	40	0.14	0.40	0.78	1.22	1.77	2.40	3.30	4.95	9.62	92		

ABM/ABX Series

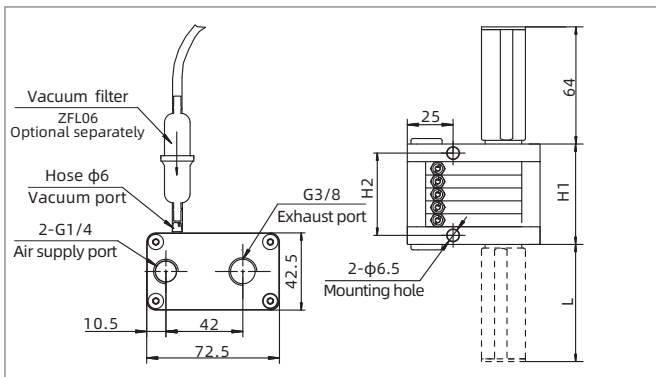
Mini Combined Type Vacuum Generator

Dimensions(mm)



ABM/ABX□×2-4 ABM/ABX□×3-4

Model/size	H1	H2	L
ABM/ABX5×2-4	28	-	-
ABM/ABX5×3-4	36	-	-
ABM/ABX5×4-4	50.5	40.5	-
ABM/ABX5×5-4	58	48	-
ABM/ABX5×6-4	65.5	55.5	-
ABM/ABX5×7-4	73	63	-
ABM/ABX5×8-4	80	70	-
ABM/ABX5×9-4	87.5	77.5	-
ABM/ABX5×10-4	95	85	-
ABM/ABX5×11-4	102.5	92.5	-
ABM/ABX5×12-4	110	100	64
ABM/ABX5×13-4	117.5	107.5	64
ABM/ABX5×14-4	125	115	64
ABM/ABX5×15-4	132.5	122.5	64
ABM/ABX5×16-4	140	130	64



ABM/ABX□× (4-8)-4

Model/size	H1	H2	L
ABM/ABX10×2-4	28	-	-
ABM/ABX10×3-4	36	-	-
ABM/ABX10×4-4	50.5	40.5	-
ABM/ABX10×5-4	58	48	-
ABM/ABX10×6-4	65.5	55.5	-
ABM/ABX10×7-4	73	63	-
ABM/ABX10×8-4	80	70	-
ABM/ABX10×9-4	87.5	77.5	-
ABM/ABX10×10-4	95	85	-
ABM/ABX10×11-4	102.5	92.5	-
ABM/ABX10×12-4	110	100	64

Repair kits

Item	Model
Vacuum filter	ZFL06
Silencer	ZSA-G3M

Vacuum Generator

AZK

AZQ

AZX

AZD

AGS

AGB

AGP

AGX

AGE

ABM/ABX

ABM/ABX
Combined Type

AMC

AM/AL/AH

AM/AL
Combined Type

AMD

AZW

AZR

ABT

ABP

ABQ

AEVC

AZL

ALH

AZH

AZU

ACV

ASBP

ALS

ACP

ACPF

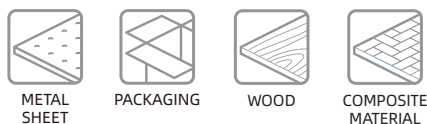
ACPS

APB

AMC Series

Multistage Vacuum Generator

AIRBEST



Features

- ◇ High efficient and energy-saving multistage nozzle design
- ◇ Large vacuum flow
- ◇ Internal vacuum cartridges can be stacked assembly
- ◇ Various specifications of air supply port and vacuum port
- ◇ Energy-saving control device is optional

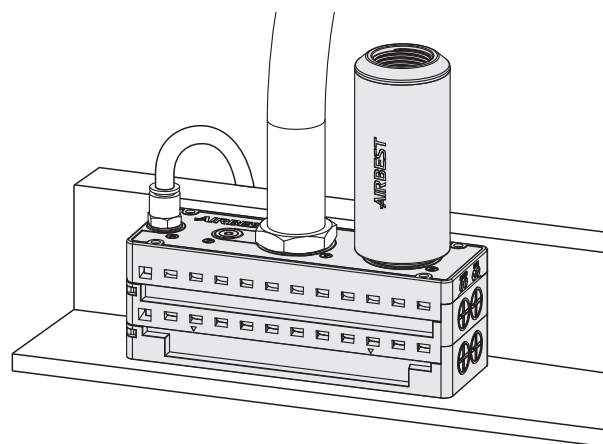
Advantages

- ◇ Quick evacuation in low vacuum level range, reduce cost and shorten working cycle
- ◇ Producing large vacuum flow to handle porous workpieces fast and safely
- ◇ It can meet different requirements of vacuum flow in different working conditions
- ◇ It can be connected with different threads
- ◇ It is energy-saving when handling airtight workpieces



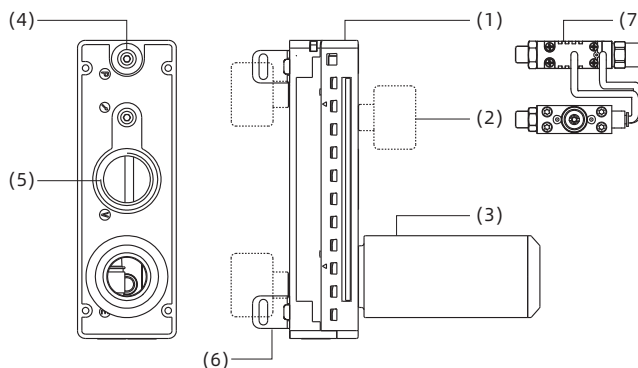
Applications

- ◇ The multistage vacuum generator is suitable for handling cartons, packaging materials and porous materials
- ◇ It is used in the working condition requiring large vacuum flow, fast evacuation speed and less air consumption



Structure

- ◇ (1) Main body
- ◇ (2) Vacuum gauge
- ◇ (3) Silencer
- ◇ (4) Air supply port
- ◇ (5) Vacuum port
- ◇ (6) L-type mounting bracket
- ◇ (7) ES energy saving system



AMC Series

Multistage Vacuum Generator

How to order

AMC 25 L - AA - V - ES
 ① ② ③ ④ ⑤ ⑥

① Series	② Specification	③ Performance	④ Connection plate	⑤ Non-return valve	⑥ Control device
AMC	25	H - High vacuum level	AA	Nil - Default, without	Nil - Default, Without control device
	50	(-95kPa)	BA	non-return valve	ES - Energy saving system
	75	L - Large vacuum flow	CA	V - With non-return valve	
	100	(-75kPa)	DB		
	125		CC		
	150				

Connection plate specifications

Connection plate	Air supply port (1)	Vacuum port (2)	Exhaust port (3)	Applicable vacuum generator
AA	G1/8	G3/4	G1"	AMC25, 50
BA	NPSF1/8	G3/4	G1"	AMC25, 50
CA	G1/4	G3/4	G1"	AMC25, 50, 75, 100
DB	NPT1/4	NPT3/4	G1"	AMC25, 50, 75, 100
CC	G1/4	G1"	G1"	AMC25, 50, 75, 100, 125, 150

Selection - L (Large Vacuum flow type)

Model/ Specification	25	50	75	100	125	150
AMC□L-AA	AMC25L-AA	AMC50L-AA	-	-	-	-
AMC□L-AA-V	AMC25L-AA-V	AMC50L-AA-V	-	-	-	-
AMC□L-AA-V-ES	AMC25L-AA-V-ES	AMC50L-AA-V-ES	-	-	-	-
AMC□L-BA	AMC25L-BA	AMC50L-BA	-	-	-	-
AMC□L-BA-V	AMC25L-BA-V	AMC50L-BA-V	-	-	-	-
AMC□L-CA	AMC25L-CA	AMC50L-CA	AMC75L-CA	AMC100L-CA	-	-
AMC□L-CA-V	AMC25L-CA-V	AMC50L-CA-V	AMC75L-CA-V	AMC100L-CA-V	-	-
AMC□L-CA-V-ES	-	-	AMC75L-CA-V-ES	AMC100L-CA-V-ES	-	-
AMC□L-DB	AMC25L-DB	AMC50L-DB	AMC75L-DB	AMC100L-DB	-	-
AMC□L-DB-V	AMC25L-DB-V	AMC50L-DB-V	AMC75L-DB-V	AMC100L-DB-V	-	-
AMC□L-CC	AMC25L-CC	AMC50L-CC	AMC75L-CC	AMC100L-CC	AMC125L-CC	AMC150L-CC
AMC□L-CC-V	AMC25L-CC-V	AMC50L-CC-V	AMC75L-CC-V	AMC100L-CC-V	AMC125L-CC-V	AMC150L-CC-V
AMC□L-CC-V-ES	AMC25L-CC-V-ES	AMC50L-CC-V-ES	AMC75L-CC-V-ES	AMC100L-CC-V-ES	AMC125L-CC-V-ES	AMC150L-CC-V-ES

AMC Series

Multistage Vacuum Generator



Selection - H (High vacuum level type)

Model/ Specification	25	50	75	100	125	150
AMC□H-AA	AMC25H-AA	AMC50H-AA	-	-	-	-
AMC□H-AA-V	AMC25H-AA-V	AMC50H-AA-V	-	-	-	-
AMC□H-AA-V-ES	AMC25H-AA-V-ES	AMC50H-AA-V-ES	-	-	-	-
AMC□H-BA	AMC25H-BA	AMC50H-BA	-	-	-	-
AMC□H-BA-V	AMC25H-BA-V	AMC50H-BA-V	-	-	-	-
AMC□H-CA	AMC25H-CA	AMC50H-CA	AMC75H-CA	AMC100H-CA	-	-
AMC□H-CA-V	AMC25H-CA-V	AMC50H-CA-V	AMC75H-CA-V	AMC100H-CA-V	-	-
AMC□H-CA-V-ES	-	-	AMC75H-CA-V-ES	AMC100H-CA-V-ES	-	-
AMC□H-DB	AMC25H-DB	AMC50H-DB	AMC75H-DB	AMC100H-DB	-	-
AMC□H-DB-V	AMC25H-DB-V	AMC50H-DB-V	AMC75H-DB-V	AMC100H-DB-V	-	-
AMC□H-CC	AMC25H-CC	AMC50H-CC	AMC75H-CC	AMC100H-CC	AMC125H-CC	AMC150H-CC
AMC□H-CC-V	AMC25H-CC-V	AMC50H-CC-V	AMC75H-CC-V	AMC100H-CC-V	AMC125H-CC-V	AMC150H-CC-V
AMC□H-CC-V-ES	AMC25H-CC-V-ES	AMC50H-CC-V-ES	AMC75H-CC-V-ES	AMC100H-CC-V-ES	AMC125H-CC-V-ES	AMC150H-CC-V-ES

Technical parameters

Model	Rated air supply pressure bar	Max. vacuum level -kPa	Max. vacuum flow NL/min	Air consumption NL/min	Noise level dB(A)	Working temperature °C	Weight g	Vacuum chamber volume cm ³	Recommended hose dia. mm	
									Air supply port P	Vacuum port V
AMC25L	6.0	75	360	130	63~68	-10~80	430	140	φ8	φ25
AMC50L	6.0	75	710	260	63~68	-10~80	435	140	φ8	φ25
AMC75L	6.0	75	1,050	390	63~68	-10~80	625	245	φ10	φ32
AMC100L	6.0	75	1,410	520	63~68	-10~80	630	245	φ10	φ32
AMC125L	6.0	75	1,500	650	63~68	-10~80	825	352	φ12	φ32
AMC150L	6.0	75	1,690	780	63~68	-10~80	830	352	φ12	φ32
AMC25H	5.0	95	354	135	63~68	-10~80	430	140	φ8	φ25
AMC50H	5.0	95	700	270	63~68	-10~80	435	140	φ8	φ25
AMC75H	5.0	95	980	405	63~68	-10~80	625	245	φ10	φ32
AMC100H	5.0	95	1,380	540	63~68	-10~80	630	245	φ10	φ32
AMC125H	5.0	95	1,480	675	63~68	-10~80	825	352	φ12	φ32
AMC150H	5.0	95	1,650	810	63~68	-10~80	830	352	φ12	φ32

Vacuum flow(NL/min) at different vacuum levels(-kPa)

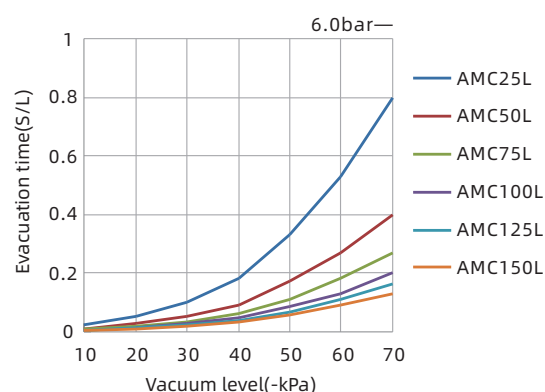
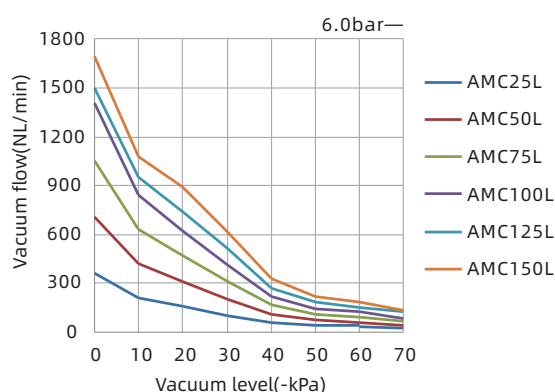
Model	Air supply pressure bar	Air consumption NL/min	0	10	20	30	40	50	60	70	Max. vacuum level -kPa
AMC25L	6.0	130	360	210	156	102	54	36	30	21	75
AMC50L	6.0	260	710	420	312	204	108	72	60	42	75
AMC75L	6.0	390	1,050	630	468	306	162	108	90	66	75
AMC100L	6.0	520	1,410	840	624	408	216	144	120	84	75
AMC125L	6.0	650	1,500	948	744	510	270	180	150	126	75
AMC150L	6.0	780	1,690	1,074	888	612	324	216	180	132	75

AMC Series

Multistage Vacuum Generator

Evacuation time(s/L) to reach different vacuum levels(-kPa)

Model	Air supply pressure bar	Air consumption NL/min	10	20	30	40	50	60	70	Max. vacuum level -kPa
AMC25L	6.0	130	0.020	0.050	0.100	0.180	0.330	0.530	0.800	75
AMC50L	6.0	260	0.010	0.025	0.050	0.090	0.170	0.270	0.400	75
AMC75L	6.0	390	0.007	0.017	0.033	0.060	0.110	0.180	0.270	75
AMC100L	6.0	520	0.005	0.013	0.025	0.045	0.083	0.130	0.200	75
AMC125L	6.0	650	0.005	0.012	0.022	0.036	0.066	0.110	0.160	75
AMC150L	6.0	780	0.004	0.010	0.018	0.030	0.055	0.090	0.130	75



Vacuum flow(NL/min) at different vacuum levels(-kPa)

Model	Air supply pressure bar	Air consumption NL/min	0	10	20	30	40	50	60	70	80	90	Max. vacuum level -kPa
AMC25H	5.0	135	354	180	120	78	43.8	34.8	25.8	19.2	10.8	1.8	95
AMC50H	5.0	270	700	360	240	156	87.6	69.6	51.6	38.4	21.6	3.6	95
AMC75H	5.0	405	980	540	360	234	131.4	104.4	77.4	57.6	32.4	5.4	95
AMC100H	5.0	540	1,380	720	480	312	175.2	139.2	103.2	76.8	43.2	7.2	95
AMC125H	5.0	675	1,480	810	570	390	219.0	174.0	129.0	96.0	54.0	9.0	95
AMC150H	5.0	810	1,650	918	684	468	262.8	206.4	154.8	115.2	64.8	10.8	95

Evacuation time(s/L) to reach different vacuum levels(-kPa)

Model	Air supply pressure bar	Air consumption NL/min	10	20	30	40	50	60	70	80	90	Max. vacuum level -kPa
AMC25H	5.0	135	0.022	0.062	0.120	0.220	0.37	0.57	0.84	1.20	2.20	95
AMC50H	5.0	270	0.011	0.031	0.060	0.110	0.19	0.29	0.42	0.60	1.10	95
AMC75H	5.0	405	0.007	0.021	0.040	0.070	0.12	0.19	0.28	0.40	0.73	95
AMC100H	5.0	540	0.006	0.016	0.030	0.055	0.09	0.14	0.21	0.30	0.55	95
AMC125H	5.0	675	0.005	0.014	0.026	0.044	0.07	0.11	0.17	0.24	0.44	95
AMC150H	5.0	810	0.005	0.012	0.022	0.040	0.06	0.10	0.14	0.20	0.37	95

Vacuum Generator

AZK

AZQ

AZX

AZD

AGS

AGB

AGP

AGX

AGE

ABM/ABX

ABM/ABX Combined Type

AMC

AM/AL/AH

AM/AL Combined Type

AMD

AZW

AZR

ABT

ABP

ABQ

AEVC

AZL

ALH

AZH

AZU

ACV

ASBP

ALS

ACP

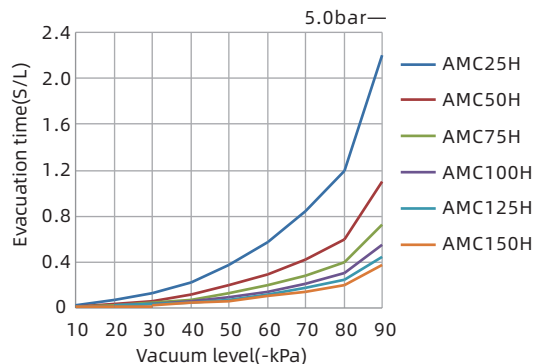
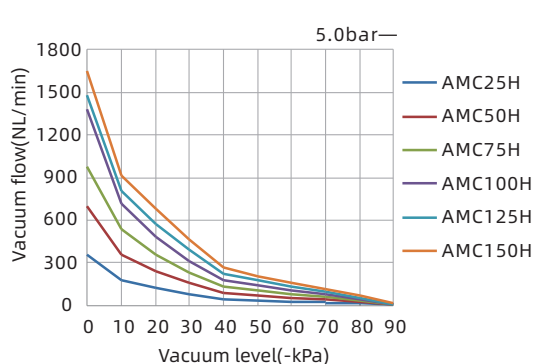
ACPF

ACPS

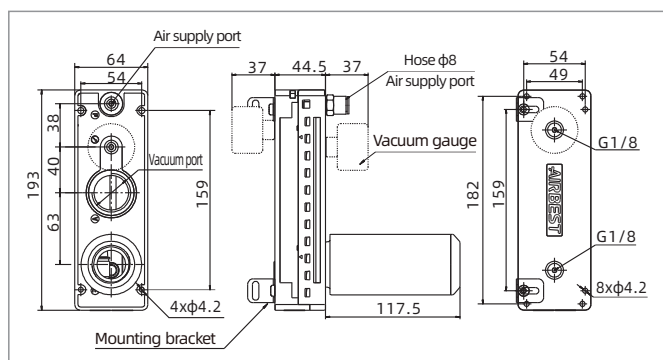
APB

AMC Series

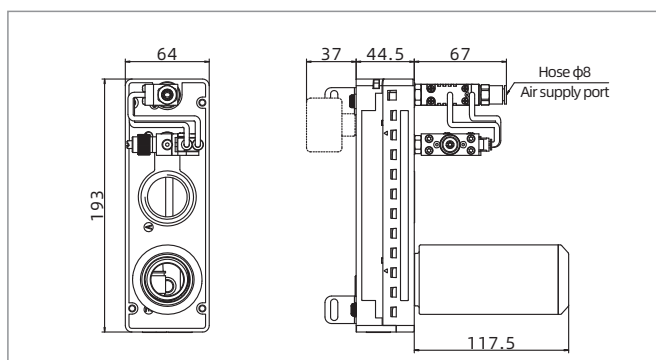
Multistage Vacuum Generator



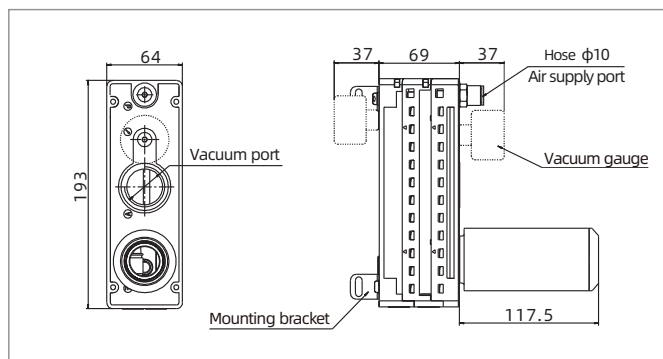
Dimensions(mm)



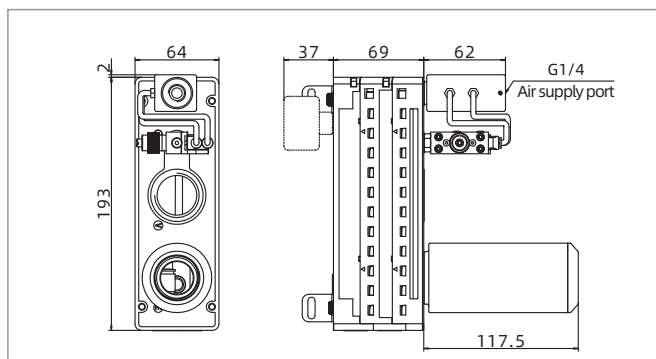
AMC25-50



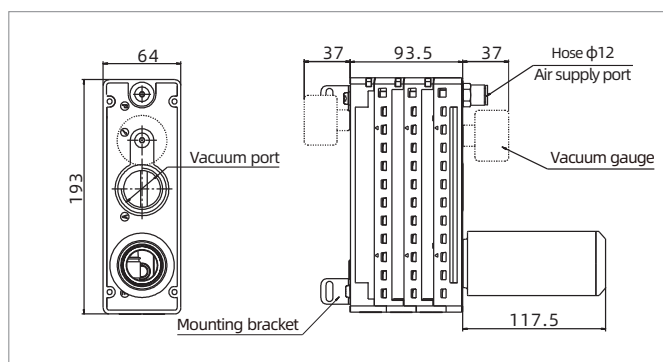
AMC25□-□-V-ES AMC50□-□-V-ES



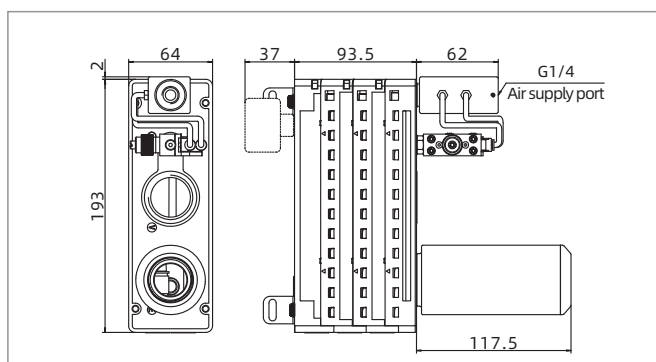
AMC75-100



AMC75□-□-V-ES AMC100□-□-V-ES



AMC125-150



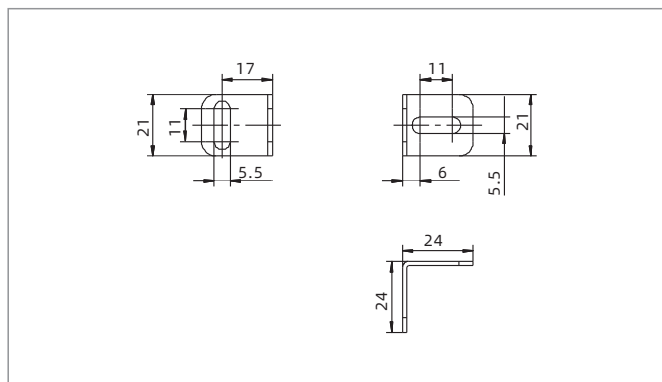
AMC125□-□-V-ES AMC150□-□-V-ES

AMC Series

Multistage Vacuum Generator

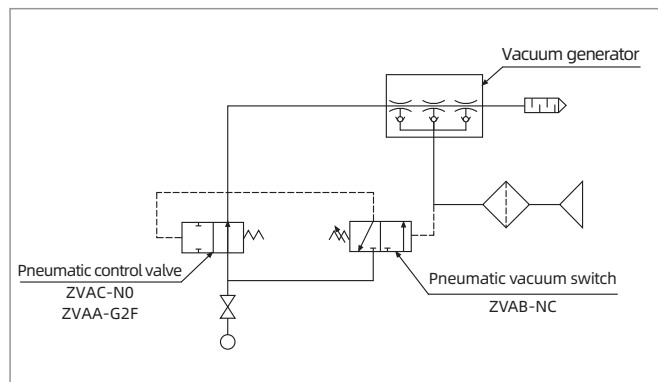


Dimensions(mm)



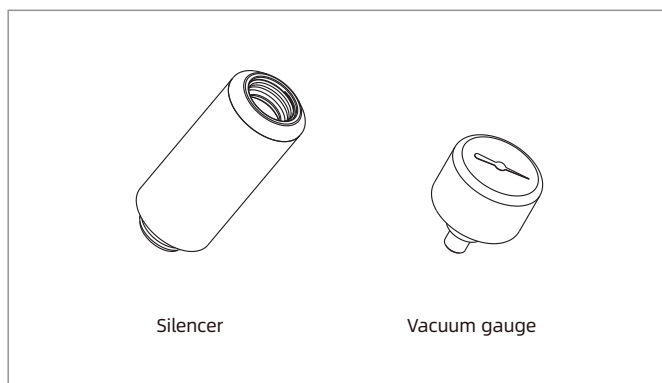
L type Mounting bracket

Air circuit schematic diagram



ES Energy saving system

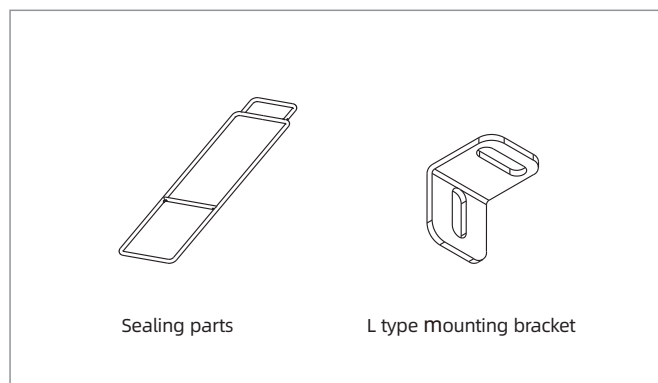
Accessory selection



Silencer

Vacuum gauge

Mounting accessories



Sealing parts

L type Mounting bracket

Mounting accessories

Item	Model	Remark
Silencer	ZSA-G8M	-
Vacuum gauge	ZPMR-V	-
Sealing ring	AMC50-R6	AMC25, 50/1 AMC75, 100/2 AMC125, 150/3
Mounting accessory kit	AMC50-R(2 brackets+ 4 Screws + 1 φ8 one-touch fitting)	AMC25, 50-AA
Mounting accessory kit	AMC100-R(2 brackets+ 4 Screws + 1 φ10 one-touch fitting)	AMC25, 50, 75, 100-CA / AMC25, 50, 75, 100-CC
Mounting accessory kit	AMC150-R(2 brackets + 4 Screws + 1 φ12 one-touch fitting)	AMC125, 150-CC

◇ Note: The mounting accessory kit includes 2 L-type brackets and 4 screws for the connection plate BA and DB

Vacuum Generator

AZK

AZQ

AZX

AZD

AGS

AGB

AGP

AGX

AGE

ABM/ABX

ABM/ABX
Combined Type

AMC

AM/AL/AH

AM/AL
Combined Type

AMD

AZW

AZR

ABT

ABP

ABQ

AEVC

AZL

ALH

AZH

AZU

ACV

ASBP

ALS

ACP

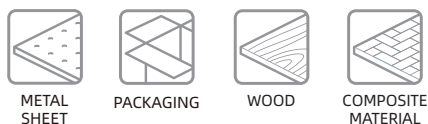
ACPF

ACPS

APB

AM/AL/AH Series

Multistage Vacuum Generator



Features

- ◇ Energy-efficient multistage nozzle design
- ◇ It has a very strong suction capacity
- ◇ A variety of specifications of air supply port and vacuum port
- ◇ Energy-saving system(ES) is optional

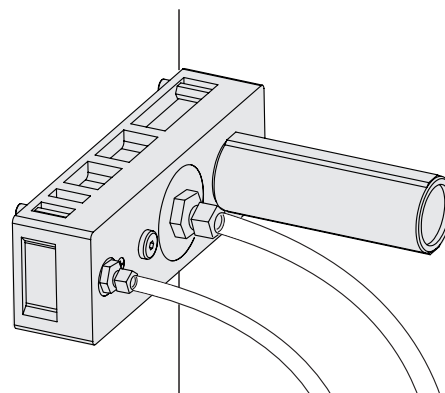
Advantages

- ◇ Quick evacuation in low vacuum level range, reduce cost and shorten working cycle
- ◇ It can produce large vacuum flow, handle all porous workpieces fast and safely
- ◇ Different thread specifications can be used
- ◇ Save compressed air consumption when handling airtight workpieces



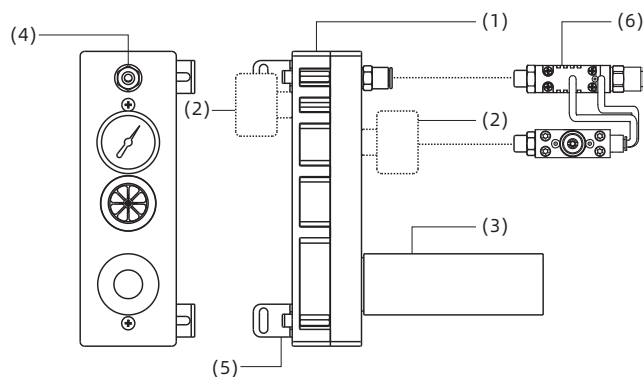
Applications

- ◇ The multistage vacuum generator is suitable for handling cartons, packaging materials and porous materials
- ◇ Used for working conditions requiring large vacuum flow, fast evacuation and less air consumption



Structure

- ◇ (1) The main body
- ◇ (2) Vacuum detecting port
- ◇ (3) Silencer
- ◇ (4) Air supply port
- ◇ (5) Mounting bracket
- ◇ (6) ES Energy-saving system



AM/AL/AH Series

Multistage Vacuum Generator

How to order

AM 25L - AD - N - A - ES
 ① ② ③ ④ ⑤ ⑥

① Series	② Specification	③ Connection plate	④ Sealing	⑤ Non-return valve	⑥ Control device
AM - Universal type (-92kPa)	25L 50L 75L 100L 125L 150L	D B	N - NBR E - EPDM	Nil - Default, without non-return valve A - With non-return valve	Nil - Default, without control device
AL - Large vacuum flow type (-81kPa)	25 50 75 100 125 150	AD E	F - Fluorine rubber		ES - Energy-saving system only for AM-25L/50L
AH - High vacuum level type (-100.8kPa)	40 120	(Refer to table1)			AL-25/50 AH-40

Connection plate table 1

Connection plate	Air supply port (1)	Vacuum port (2)	Exhaust port (3)	Connection plate material	Applicable vacuum generator
D	NPSF1/8	G3/4	G3/4	PPS	AM25-100、AL25-100、AH40-120
B	NPSF1/8	NPT3/4	NPT3/4	PPS	
AD	G1/4	G3/4	G3/4	Aluminum alloy	
E	NPT1/4	NPT3/4	NPT3/4	Aluminum alloy	
D	G1/4	G1"	G1"	PPS	AM125-150、AL125-150
B	NPT1/4	NPT1"	NPT1"	PPS	
AD	G1/4	G1"	G1"	Aluminum alloy	
E	NPT1/4	NPT1"	NPT1"	Aluminum alloy	

Selection - AM series

Model/ Specification	25L	50L	75L	100L	125L	150L
AM□-D-N	AM25L-D-N	AM50L-D-N	AM75L-D-N	AM100L-D-N	AM125L-D-N	AM150L-D-N
AM□-D-N-A	AM25L-D-N-A	AM50L-D-N-A	AM75L-D-N-A	AM100L-D-N-A	AM125L-D-N-A	AM150L-D-N-A
AM□-D-N-A-ES	AM25L-D-N-A-ES	AM50L-D-N-A-ES	-	-	-	-
AM□-B-N	AM25L-B-N	AM50L-B-N	AM75L-B-N	AM100L-B-N	AM125L-B-N	AM150L-B-N
AM□-B-N-A	AM25L-B-N-A	AM50L-B-N-A	AM75L-B-N-A	AM100L-B-N-A	AM125L-B-N-A	AM150L-B-N-A
AM□-AD-N	AM25L-AD-N	AM50L-AD-N	AM75L-AD-N	AM100L-AD-N	AM125L-AD-N	AM150L-AD-N
AM□-AD-N-A	AM25L-AD-N-A	AM50L-AD-N-A	AM75L-AD-N-A	AM100L-AD-N-A	AM125L-AD-N-A	AM150L-AD-N-A
AM□-AD-N-A-ES	AM25L-AD-N-A-ES	AM50L-AD-N-A-ES	-	-	-	-
AM□-E-N	AM25L-E-N	AM50L-E-N	AM75L-E-N	AM100L-E-N	AM125L-E-N	AM150L-E-N
AM□-E-N-A	AM25L-E-N-A	AM50L-E-N-A	AM75L-E-N-A	AM100L-E-N-A	AM125L-E-N-A	AM150L-E-N-A

AM/AL/AH Series

Multistage Vacuum Generator



Selection - AL series

Model/ Specification	25	50	75	100	125	150
AL□-D-N	AL25-D-N	AL50-D-N	AL75-D-N	AL100-D-N	AL125-D-N	AL150-D-N
AL□-D-N-A	AL25-D-N-A	AL50-D-N-A	AL75-D-N-A	AL100-D-N-A	AL125-D-N-A	AL150-D-N-A
AL□-D-N-A-ES	AL25-D-N-A-ES	AL50-D-N-A-ES	-	-	-	-
AL□-B-N	AL25-B-N	AL50-B-N	AL75-B-N	AL100-B-N	AL125-B-N	AL150-B-N
AL□-B-N-A	AL25-B-N-A	AL50-B-N-A	AL75-B-N-A	AL100-B-N-A	AL125-B-N-A	AL150-B-N-A
AL□-AD-N	AL25-AD-N	AL50-AD-N	AL75-AD-N	AL100-AD-N	AL125-AD-N	AL150-AD-N
AL□-AD-N-A	AL25-AD-N-A	AL50-AD-N-A	AL75-AD-N-A	AL100-AD-N-A	AL125-AD-N-A	AL150-AD-N-A
AL□-AD-N-A-ES	AL25-AD-N-A-ES	AL50-AD-N-A-ES	-	-	-	-
AL□-E-N	AL25-E-N	AL50-E-N	AL75-E-N	AL100-E-N	AL125-E-N	AL150-E-N
AL□-E-N-A	AL25-E-N-A	AL50-E-N-A	AL75-E-N-A	AL100-E-N-A	AL125-E-N-A	AL150-E-N-A

Selection - AH series

Model/ Specification	40	120
AH□-D-N	AH40-D-N	AH120-D-N
AH□-D-N-A	AH40-D-N-A	AH120-D-N-A
AH□-D-N-A-ES	AH40-D-N-A-ES	-
AH□-B-N	AH40-B-N	AH120-B-N
AH□-B-N-A	AH40-B-N-A	AH120-B-N-A
AH□-AD-N	AH40-AD-N	AH120-AD-N
AH□-AD-N-A	AH40-AD-N-A	AH120-AD-N-A
AH□-AD-N-A-ES	AH40-AD-N-A-ES	-
AH□-E-N	AH40-E-N	AH120-E-N
AH□-E-N-A	AH40-E-N-A	AH120-E-N-A

Technical parameters

Model	Rated air supply pressure bar	Max. vacuum level -kPa	Max. vacuum flow NL/min	Air consumption NL/min	Noise level dB(A)	Working temperature °C	Weight g	Recommended hose dia. mm	
								(Hose outer dia.) Air supply port	(Wired hose inner dia.) Vacuum port
AL25	6.0	81	360	105	81	-10~80	675	φ8	φ19
AL50	6.0	81	640	215	81	-10~80	675	φ10	φ19
AL75	6.0	81	850	320	81	-10~80	837	φ10	φ25
AL100	6.0	81	990	390	82	-10~80	837	φ10	φ25
AL125	6.0	81	1,170	480	82	-10~80	1,075	φ12	φ32
AL150	6.0	81	1,230	620	81	-10~80	1,075	φ12	φ32
AH40	6.0	99.8	150	155	81	-10~80	675	φ10	φ19
AH120	6.0	100.8	530	440	81	-10~80	837	φ12	φ19

AM/AL/AH Series

Multistage Vacuum Generator

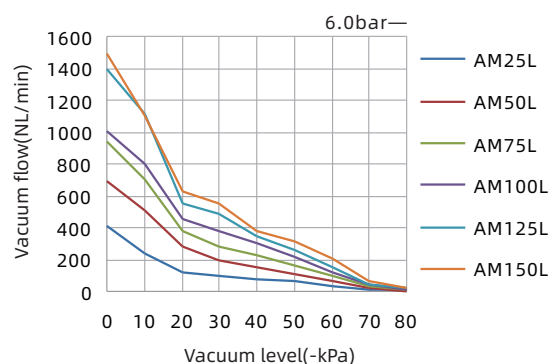
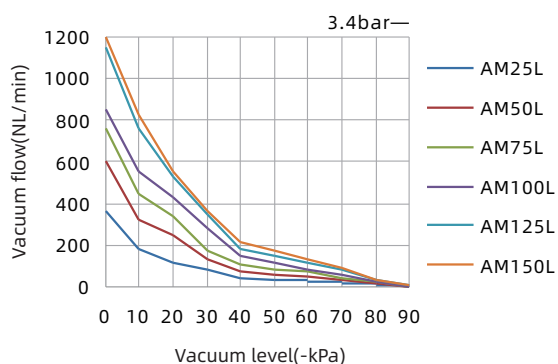


Technical parameters

Model	Rated air supply pressure bar	Max. vacuum level -kPa	Max. vacuum flow NL/min	Air consumption NL/min	Noise level dB(A)	Working temperature °C	Weight g	Recommended hose dia. mm (Hose outer dia.)	Recommended hose dia. mm (Wired hose inner dia.)	Vacuum port
AM25L	3.4	92	360	116	80	-10~80	675	φ8		φ19
AM50L	3.4	92	600	230	81	-10~80	675	φ8		φ19
AM75L	3.4	92	760	365	81	-10~80	837	φ10		φ25
AM100L	3.4	92	850	445	81	-10~80	837	φ10		φ25
AM125L	3.4	92	1,150	545	82	-10~80	1,075	φ12		φ32
AM150L	3.4	92	1,200	655	82	-10~80	1,075	φ12		φ32
AM25L	6.0	89	420	185	80	-10~80	675	φ8		φ19
AM50L	6.0	89	700	370	81	-10~80	675	φ8		φ19
AM75L	6.0	89	950	610	81	-10~80	837	φ10		φ25
AM100L	6.0	89	1,010	720	81	-10~80	837	φ10		φ25
AM125L	6.0	89	1,400	780	82	-10~80	1,075	φ12		φ32
AM150L	6.0	89	1,500	810	82	-10~80	1,075	φ12		φ32

Vacuum flow(NL/min) at different vacuum levels(-kPa)

Model	Air supply pressure bar	Air consumption NL/min	0	10	20	30	40	50	60	70	80	90	Max. vacuum level -kPa
AM25L	3.4	116	360	180	115	80	43	30	22.5	15.5	7.5	21.2	92
AM50L	3.4	230	600	320	250	135	75	60	46	30	13	1.5	92
AM75L	3.4	365	760	445	340	175	110	85	70	43	20	1.8	92
AM100L	3.4	445	850	550	430	280	145	115	85	60	28	2.2	92
AM125L	3.4	545	1,150	760	530	350	180	148	115	78	34.5	3.5	92
AM150L	3.4	655	1,200	830	550	360	215	170	130	90	36	5	92
AM25L	6.0	185	420	240	125	100	82	65	38	12.5	3.5	-	89
AM50L	6.0	370	700	510	290	195	160	115	70	22	8	-	89
AM75L	6.0	610	950	710	380	285	230	170	100	32	11	-	89
AM100L	6.0	720	1,010	800	460	385	310	215	125	42	15.5	-	89
AM125L	6.0	780	1,400	1,120	560	490	355	260	150	50	25	-	89
AM150L	6.0	810	1,500	1,110	630	560	385	315	210	65	26	-	89



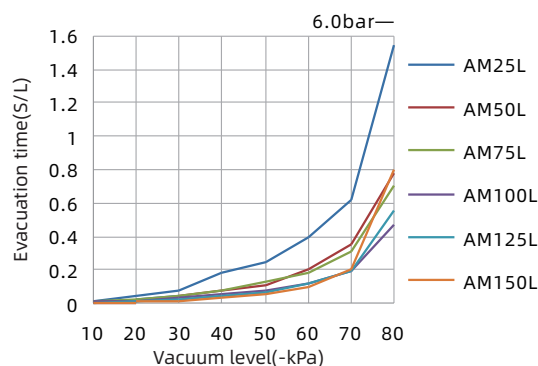
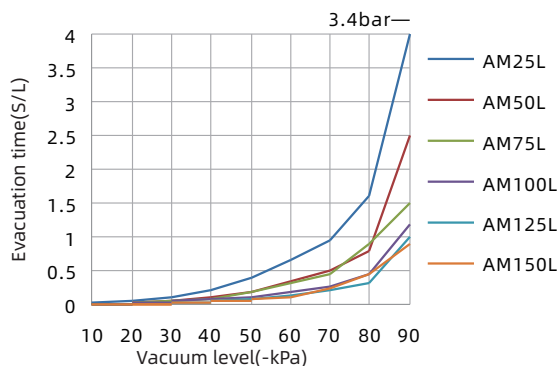
AM/AL/AH Series

Multistage Vacuum Generator



Evacuation time(s/L) to reach different vacuum levels(-kPa)

Model	Air supply pressure bar	Air consumption NL/min	10	20	30	40	50	60	70	80	90	Max. vacuum level -kPa
AM25L	3.4	116	0.022	0.060	0.110	0.210	0.400	0.650	0.950	1.600	4.000	92
AM50L	3.4	230	0.014	0.031	0.060	0.100	0.200	0.340	0.500	0.800	2.500	92
AM75L	3.4	365	0.012	0.029	0.058	0.095	0.180	0.310	0.460	0.890	1.500	92
AM100L	3.4	445	0.010	0.025	0.043	0.075	0.110	0.190	0.270	0.450	1.200	92
AM125L	3.4	545	0.006	0.015	0.029	0.052	0.085	0.145	0.202	0.330	1.00	92
AM150L	3.4	655	0.005	0.013	0.027	0.045	0.070	0.105	0.230	0.460	0.900	92
AM25L	6.0	185	0.018	0.050	0.080	0.018	0.250	0.400	0.620	1.550	-	89
AM50L	6.0	370	0.010	0.022	0.048	0.080	0.110	0.200	0.350	0.780	-	89
AM75L	6.0	610	0.009	0.019	0.045	0.075	0.130	0.180	0.310	0.700	-	89
AM100L	6.0	720	0.007	0.018	0.038	0.055	0.080	0.120	0.190	0.470	-	89
AM125L	6.0	780	0.005	0.013	0.026	0.045	0.062	0.115	0.194	0.560	-	89
AM150L	6.0	810	0.003	0.009	0.014	0.03	0.060	0.095	0.200	0.800	-	89



Vacuum flow(NL/min) at different vacuum levels(-kPa)

Model	Air supply pressure bar	Air consumption NL/min	0	10	20	30	40	50	60	70	Max. vacuum level -kPa
AL25	6.0	105	360	196	135	85	45	36	27	17	81
AL50	6.0	215	640	320	205	145	95	65	45	25	81
AL75	6.0	320	850	430	320	190	130	105	65	40	81
AL100	6.0	390	990	580	460	300	185	130	95	52	81
AL125	6.0	480	1,170	720	541	350	200	150	125	65	81
AL150	6.0	620	1,230	760	560	410	210	160	148	85	81

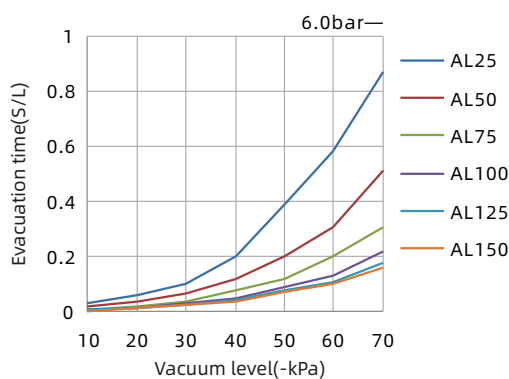
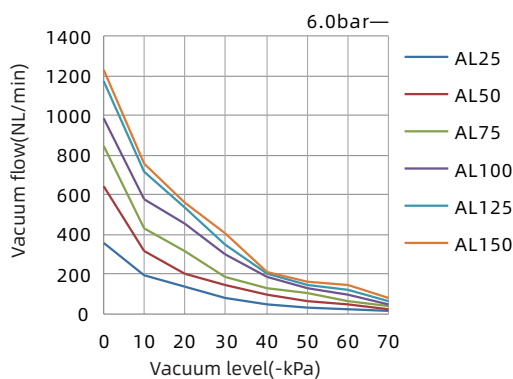
AM/AL/AH Series

Multistage Vacuum Generator



Evacuation time(s/L) to reach different vacuum levels(-kPa)

Model	Air supply pressure bar	Air consumption NL/min	10	20	30	40	50	60	70	Max. vacuum level -kPa
AL25	6.0	105	0.030	0.060	0.100	0.200	0.390	0.580	0.870	81
AL50	6.0	215	0.018	0.039	0.066	0.120	0.200	0.310	0.510	81
AL75	6.0	320	0.010	0.020	0.040	0.080	0.120	0.200	0.310	81
AL100	6.0	390	0.008	0.017	0.032	0.050	0.090	0.130	0.220	81
AL125	6.0	480	0.006	0.016	0.026	0.045	0.078	0.110	0.180	81
AL150	6.0	620	0.005	0.014	0.024	0.040	0.071	0.100	0.160	81

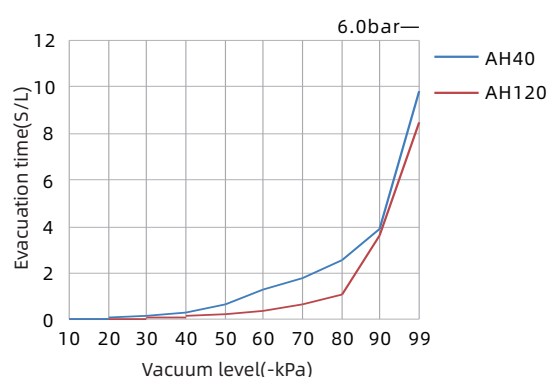
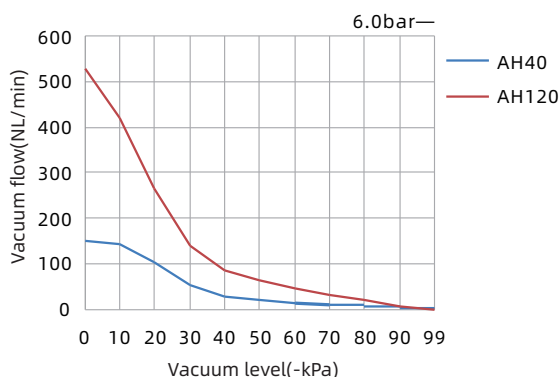


Vacuum flow(NL/min) at different vacuum levels(-kPa)

Model	Air supply pressure bar	Air consumption NL/min	0	10	20	30	40	50	60	70	80	90	99	Max. vacuum level -kPa
AH40	6.0	155	150	145	105	52.5	27.5	20.5	15.0	8.5	5.5	3.0	0.2	99.8
AH120	6.0	440	530	420	265	141.0	85.0	65.0	45.0	33.0	21.5	6.0	0.5	100.8

Evacuation time(s/L) to reach different vacuum levels(-kPa)

Model	Air supply pressure bar	Air consumption NL/min	10	20	30	40	50	60	70	80	90	99	Max. vacuum level -kPa
AH40	6.0	155	0.04	0.08	0.18	0.32	0.64	1.30	1.80	2.60	3.90	9.8	99.8
AH120	6.0	440	0.02	0.04	0.08	0.14	0.25	0.38	0.66	1.08	3.60	8.5	100.8



Vacuum Generator

AZK

AZQ

AZX

AZD

AGS

AGB

AGP

AGX

AGE

ABM/ABX

ABM/ABX Combined Type

AMC

AM/AL/AH

AM/AL Combined Type

AMD

AZW

AZR

ABT

ABP

ABQ

AEVC

AZL

ALH

AZH

AZU

ACV

ASBP

ALS

ACP

ACPF

ACPS

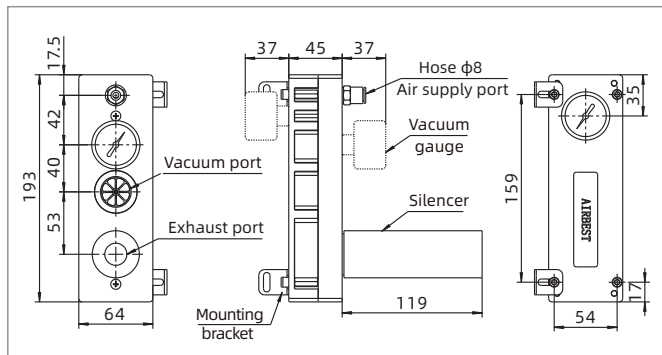
APB

AM/AL/AH Series

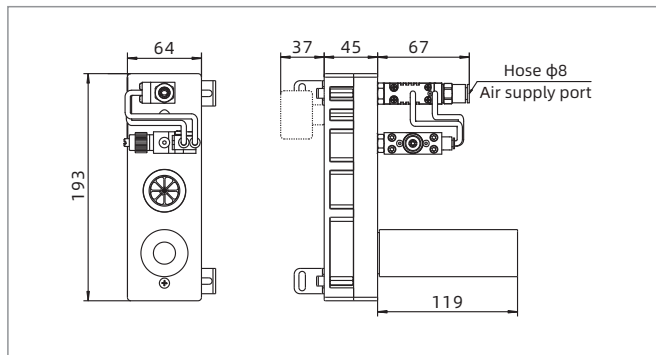
Multistage Vacuum Generator



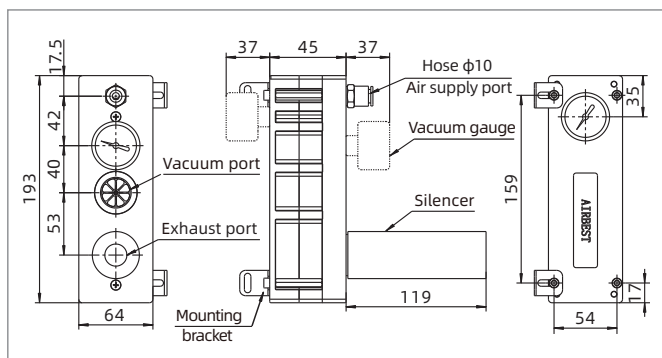
Dimensions(mm)



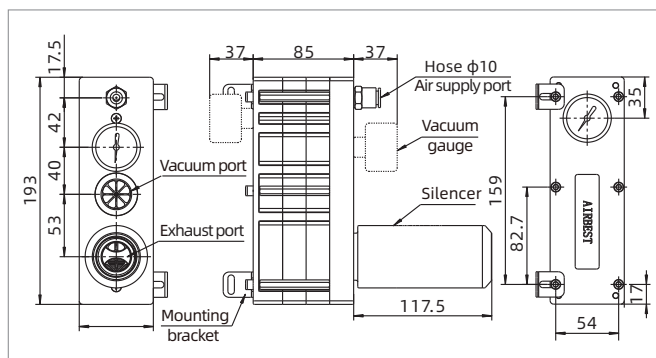
AM/AL25-50 AH40



AM/AL25-50-N-A-ES



AM/AL75-100

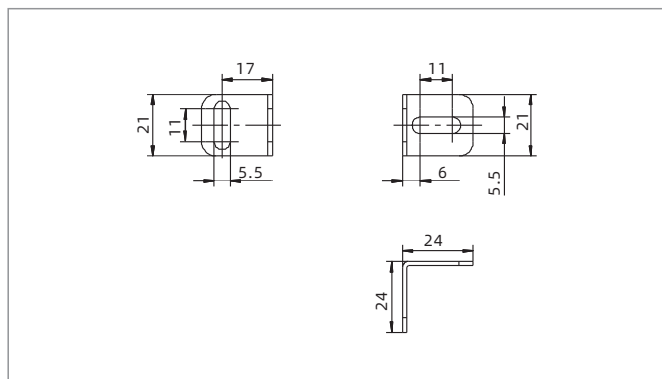


AM/AL125-150

AM/AL/AH Series

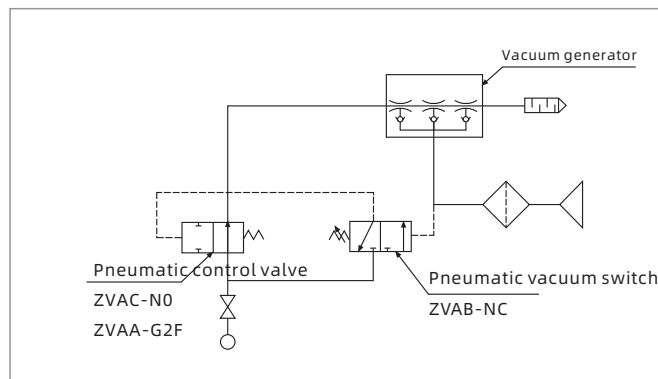
Multistage Vacuum Generator

Dimensions(mm)



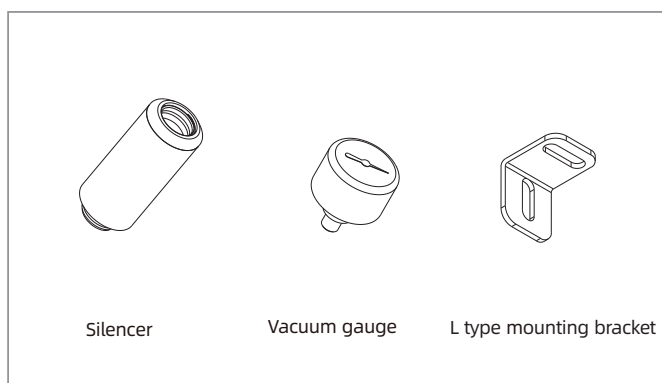
L type mounting bracket

Air circuit schematic diagram

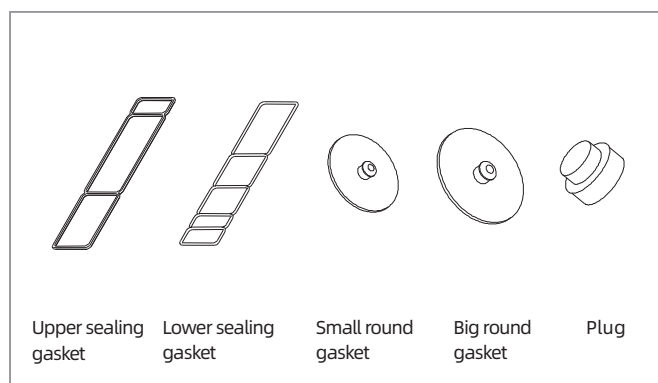


ES Energy-saving system

Accessories



Mounting accessories



Repair kits-Sealing kits

Item	Model	Applicable vacuum generator
Silencer	ZSA-G6M	AM25-50, AL25-50, AH40
Vacuum gauge	ZPMR-V	AM25-50, AL25-50, AH40
Sealing kits	AM50L-PK (1 Upper sealing gasket+1 Lower sealing gasket+2 Small round gaskets+2 Plugs)	AM25-50, AL25-50, AH40
Mounting accessory kit	AM50L-D-R (2 brackets+4 screws+1 G1/8 φ8 one-touch fitting)	AM25-50, AL25-50, AH40
Mounting accessory kit	AM50L-E-R (2 brackets+4 screws+1 G1/4 φ8 one-touch fitting)	AM25-50, AL25-50, AH40
Silencer	ZSA-G6M	AM75-100, AL75-100, AH120
Vacuum gauge	ZPMR-V	AM75-100, AL75-100, AH120
Sealing kits	AM100L-PK (1 Upper sealing gasket+2 Lower sealing gaskets+2 Small round gaskets+4 Plugs)	AM75-100, AH120
Sealing kits	AL100-PK (1 Upper sealing gasket+2 Lower sealing gaskets+1 Small round gasket+1 Big round gasket+ 4 Plugs)	AL75-100
Mounting accessory kit	AM100L-D-R (2 brackets+4 screws+1 G1/8 φ10 one-touch fitting)	AM75-100, AL75-100, AH120
Mounting accessory kit	AM100L-E-R (2 brackets+4 screws+1 G1/4 φ10 one-touch fitting)	AM75-100, AL75-100, AH120
Silencer	ZSA-G8M	AM125-150, AL125-150
Vacuum gauge	ZPMR-V	AM125-150, AL125-150
Sealing kits	AM150L-PK (1 Upper sealing gasket+3 Lower sealing gaskets+1 Small round gasket+1 Big round gasket+6 Plugs)	AM125-150, AL125-150
Mounting accessory kit	AM150L-R (2 brackets+4 screws+1 G1/4 φ12 one-touch fitting)	AM125-150, AL125-150

◇ Note: The mounting accessory kit includes 2 L-type brackets and 4 screws for the connection plate B and E

Vacuum Generator

AZK

AZQ

AZX

AZD

AGS

AGB

AGP

AGX

AGE

ABM/ABX

ABM/ABX
Combined Type

AMC

AM/AL/AH

AM/AL
Combined Type

AMD

AZW

AZR

ABT

ABP

ABQ

AEVC

AZL

ALH

AZH

AZU

ACV

ASBP

ALS

ACP

ACPF

ACPS

APB

AM/AL Series



Combined Type Multistage Vacuum Generator



METAL SHEET



PACKAGING



WOOD



COMPOSITE MATERIAL



Features

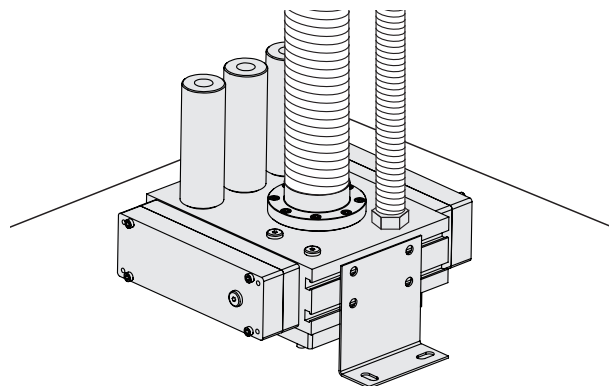
- ◇ Energy-efficient multistage nozzle design
- ◇ It has a very strong suction capacity
- ◇ With mounting bracket
- ◇ External silencer

Advantages

- ◇ Quick evacuation in low vacuum level range, reduce cost and shorten working cycle
- ◇ It can produce large vacuum flow, handle all porous workpieces fast and safely
- ◇ Easy installation and easy operation
- ◇ Reduce product noise greatly

Applications

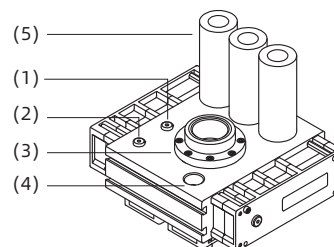
- ◇ The multistage large flow vacuum generator is suitable for handling cartons, packaging materials and porous materials
- ◇ Used in conveying systems, such as particulate matter, powder, etc
- ◇ Used for working conditions requiring large vacuum flow, fast evacuation and less air consumption



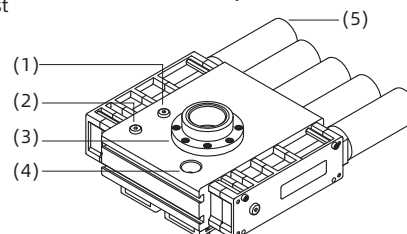
Structure

- ◇ (1) Mounting hole for vacuum gauge
- ◇ (2) Mounting hole for positive pressure gauge
- ◇ (3) Vacuum port
- ◇ (4) Air supply port
- ◇ (5) Silencer

Standard



Lateral exhaust



AM/AL Series

Combined Type Multistage Vacuum Generator

How to order

AM 200M P - N

① ② ③ ④

① Series	② Specification	③ Exhaust type	④ Sealing
AM - Universal type(-89kPa)	150M	Nil - Standard	N - NBR
AL - Large vacuum flow type(-81kPa)	200M	P - Lateral exhaust	E - EPDM
	300M		F - Fluorine rubber
	400M		
	500M		

Selection - AM series

Model/ Specification	150	200	300	400	500
AM□M-N	AM150M-N	AM200M-N	AM300M-N	AM400M-N	AM500M-N
AM□MP-N	AM150MP-N	AM200MP-N	AM300MP-N	AM400MP-N	AM500MP-N

Selection - AL series

Model/ Specification	150	200	300	400	500
AL□M-N	AL150M-N	AL200M-N	AL300M-N	AL400M-N	AL500M-N
AL□MP-N	AL150MP-N	AL200MP-N	AL300MP-N	AL400MP-N	AL500MP-N

Technical parameters

Model	Rated air supply pressure bar	Max. vacuum level -kPa	Max. vacuum flow NL/min	Air consumption NL/min	Noise level dB(A)	Working temperature °C	Weight g	Recommended hose dia. mm (Hose outer dia.) Air supply port	Recommended hose dia. mm (Wired hose inner dia.) Vacuum port
AM150M	6.0	89	1,880	1,120	80	-10~80	3,724	φ16	φ32
AM200M	6.0	89	2,200	1,460	81	-10~80	3,892	φ16	φ32
AM300M	6.0	89	3,150	2,200	81	-10~80	5,525	φ16	φ45
AM400M	6.0	89	3,710	2,790	81	-10~80	6,447	φ16	φ45
AM500M	6.0	89	4,570	3,520	82	-10~80	7,929	φ16	φ60

Model	Rated air supply pressure bar	Max. vacuum level -kPa	Max. vacuum flow NL/min	Air consumption NL/min	Noise level dB(A)	Working temperature °C	Weight g	Recommended hose dia. mm (Hose outer dia.) Air supply port	Recommended hose dia. mm (Wired hose inner dia.) Vacuum port
AL150M	6.0	81	1,660	650	80	-10~80	3,724	φ16	φ32
AL200M	6.0	81	1,950	830	81	-10~80	3,892	φ16	φ32
AL300M	6.0	81	2,840	1,240	81	-10~80	5,525	φ21	φ45
AL400M	6.0	81	3,340	1,650	81	-10~80	6,447	φ21	φ45
AL500M	6.0	81	3,970	2,100	82	-10~80	7,929	φ16	φ60

AM/AL Series



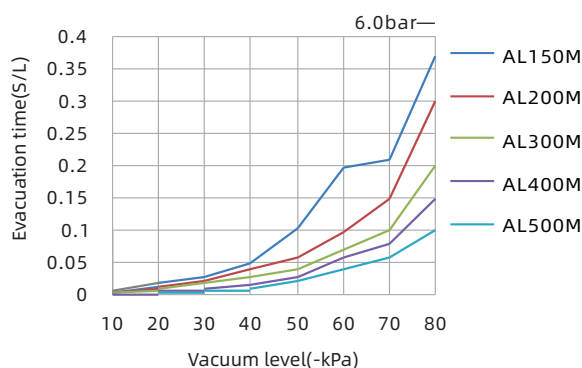
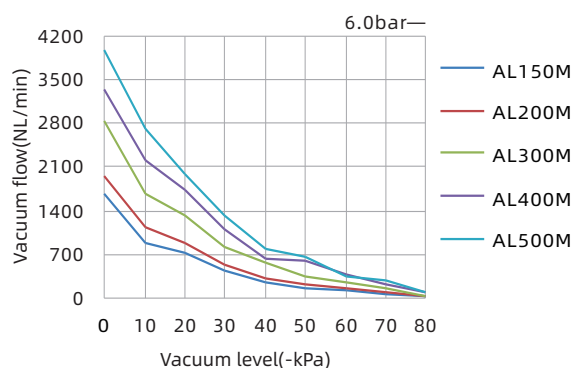
Combined Type Multistage Vacuum Generator

Vacuum flow(NL/min) at different vacuum levels(-kPa)

Model	Air supply pressure bar	Air consumption NL/min	0	10	20	30	40	50	60	70	80	Max. vacuum level -kPa
AL150M	6.0	650	1,660	870	720	450	240	160	115	70	32	81
AL200M	6.0	830	1,950	1,140	870	520	305	230	160	105	38	81
AL300M	6.0	1,240	2,840	1,660	1,330	810	580	360	265	155	45	81
AL400M	6.0	1,650	3,340	2,200	1,730	1,110	630	590	370	225	80	81
AL500M	6.0	2,100	3,970	2,710	1,990	1,320	790	660	360	270	92	81

Evacuation time(s/L) to reach different vacuum levels(-kPa)

Model	Air supply pressure bar	Air consumption NL/min	10	20	30	40	50	60	70	80	Max. vacuum level -kPa
AL150M	6.0	650	0.007	0.019	0.028	0.051	0.105	0.198	0.210	0.370	81
AL200M	6.0	830	0.005	0.013	0.023	0.040	0.060	0.098	0.150	0.300	81
AL300M	6.0	1,240	0.004	0.011	0.018	0.030	0.040	0.070	0.100	0.200	81
AL400M	6.0	1,650	0.003	0.008	0.010	0.150	0.030	0.060	0.080	0.150	81
AL500M	6.0	2,100	0.002	0.005	0.008	0.010	0.022	0.040	0.060	0.100	81



AM/AL Series



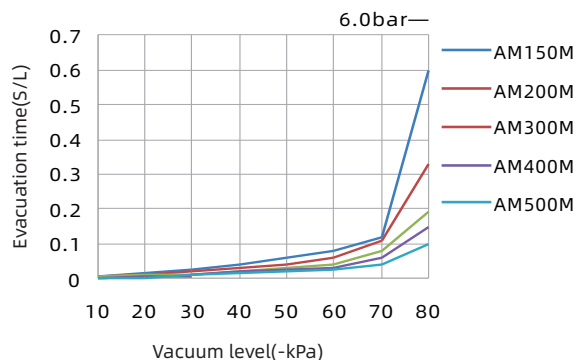
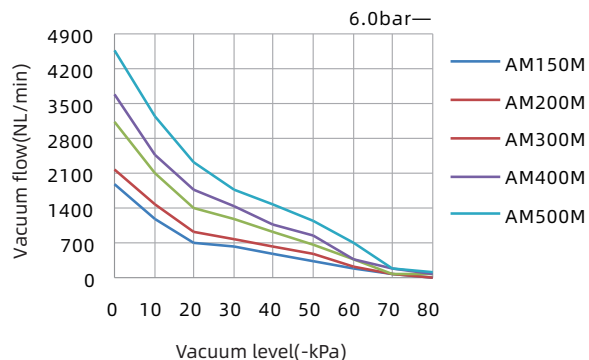
Combined Type Multistage Vacuum Generator

Vacuum flow(NL/min) at different vacuum levels(-kPa)

Model	Air supply pressure bar	Air consumption NL/min	0	10	20	30	40	50	60	70	80	Max. vacuum level -kPa
AM150M	6.0	1,120	1,880	1,210	730	640	490	340	200	75	25	89
AM200M	6.0	1,460	2,200	1,490	930	800	650	490	245	85	11	89
AM300M	6.0	2,290	3,150	2,100	1,410	1,180	930	660	365	105	75	89
AM400M	6.0	2,790	3,710	2,480	1,800	1,450	1,100	870	370	195	80	89
AM500M	6.0	3,250	4,570	3,240	2,330	1,800	1,470	1,140	700	205	115	89

Evacuation time(s/L) to reach different vacuum levels(-kPa)

Model	Air supply pressure bar	Air consumption NL/min	10	20	30	40	50	60	70	80	Max. vacuum level -kPa
AM150M	6.0	1,120	0.007	0.017	0.026	0.040	0.060	0.080	0.120	0.600	89
AM200M	6.0	1,460	0.005	0.012	0.022	0.030	0.040	0.060	0.110	0.330	89
AM300M	6.0	2,290	0.004	0.010	0.013	0.023	0.030	0.040	0.080	0.190	89
AM400M	6.0	2,790	0.003	0.008	0.012	0.020	0.025	0.030	0.060	0.150	89
AM500M	6.0	3,250	0.002	0.005	0.008	0.015	0.020	0.027	0.050	0.120	89



Vacuum Generator

AZK

AZQ

AZX

AZD

AGS

AGB

AGP

AGX

AGE

ABM/ABX

ABM/ABX
Combined Type

AMC

AM/AL/AH

AM/AL
Combined Type

AMD

AZW

AZR

ABT

ABP

ABQ

AEVC

AZL

ALH

AZH

AZU

ACV

ASBP

ALS

ACP

ACPF

ACPS

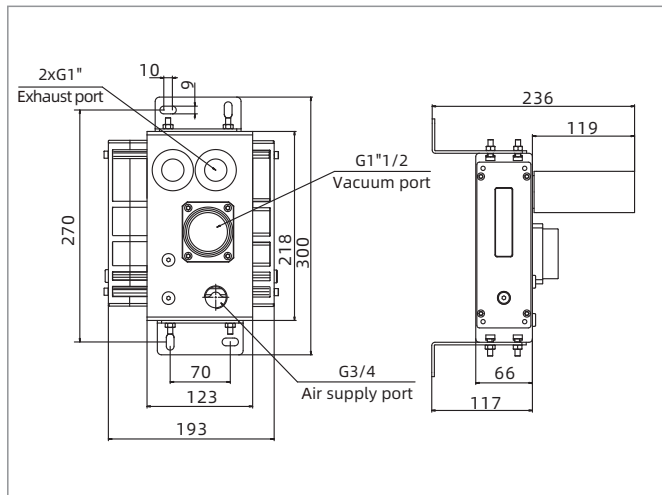
APB

AM/AL Series

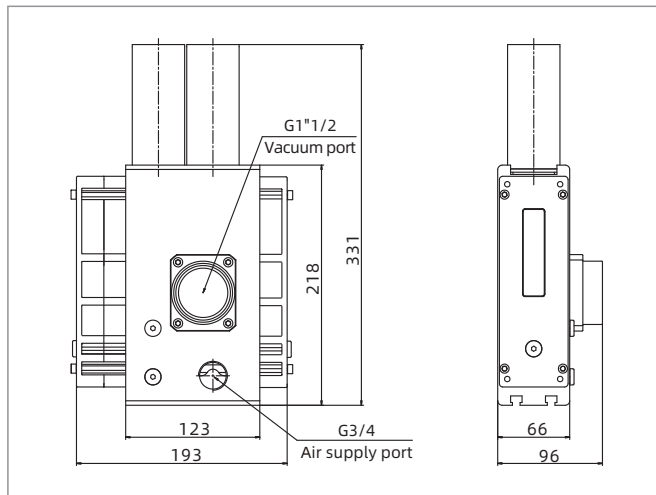
Combined Type Multistage Vacuum Generator



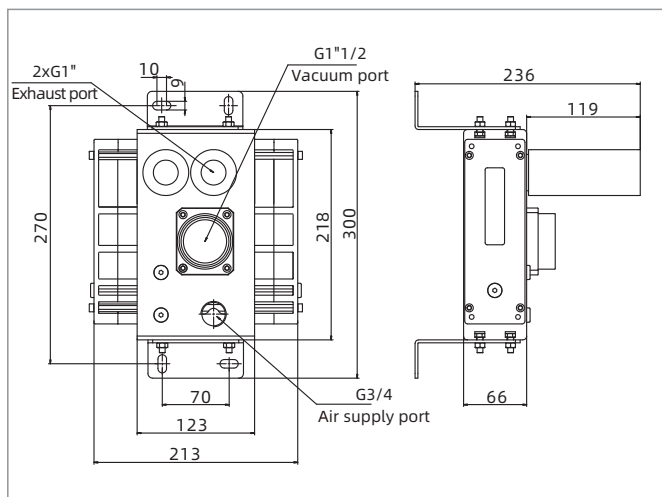
Dimensions(mm)



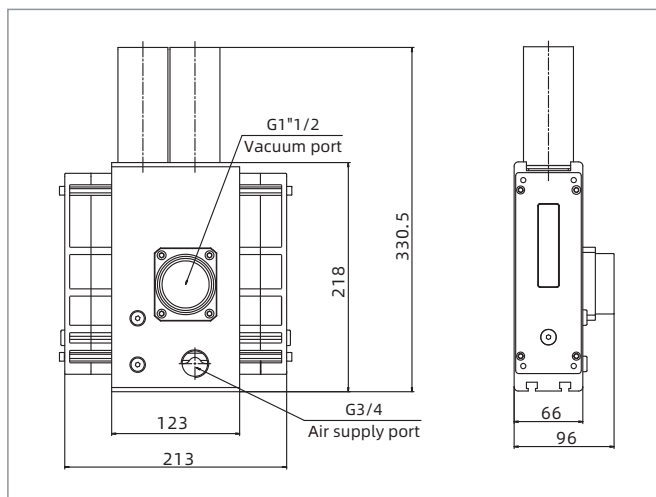
AM150M AL150M



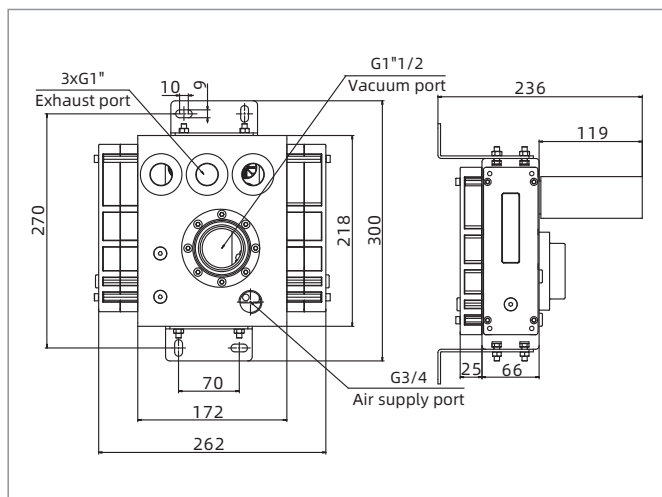
AM150M-P AL150M-P



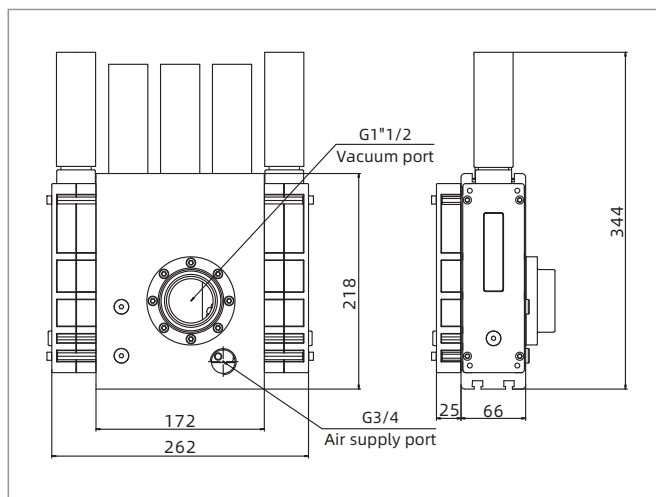
AM200M AL200M



AM200M-P AL200M-P



AM300M AL300M



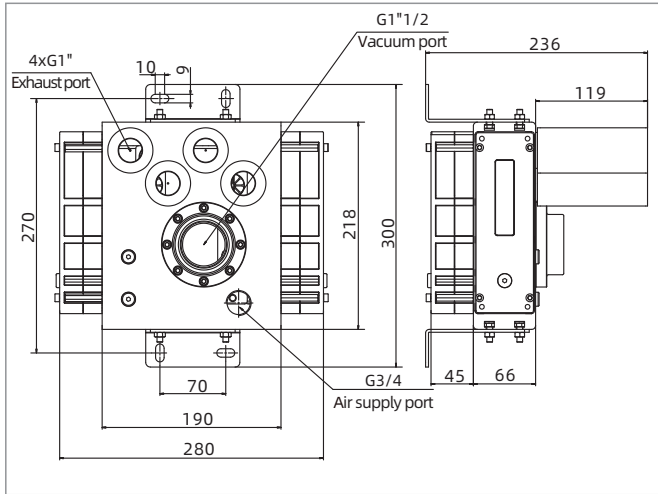
AM300M-P AL300M-P

AM/AL Series

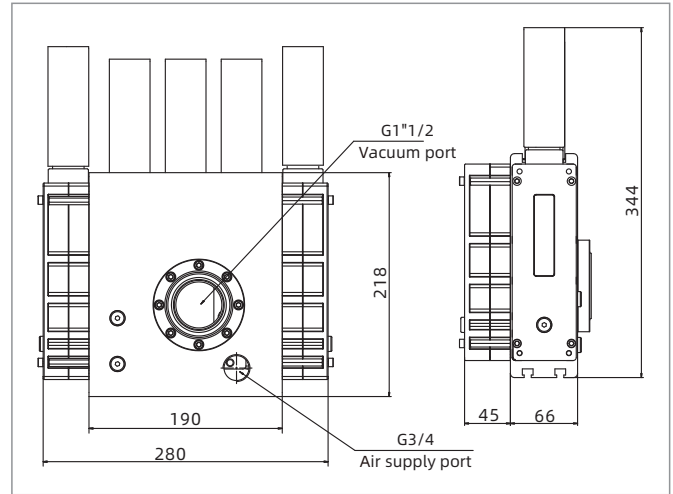
Combined Type Multistage Vacuum Generator



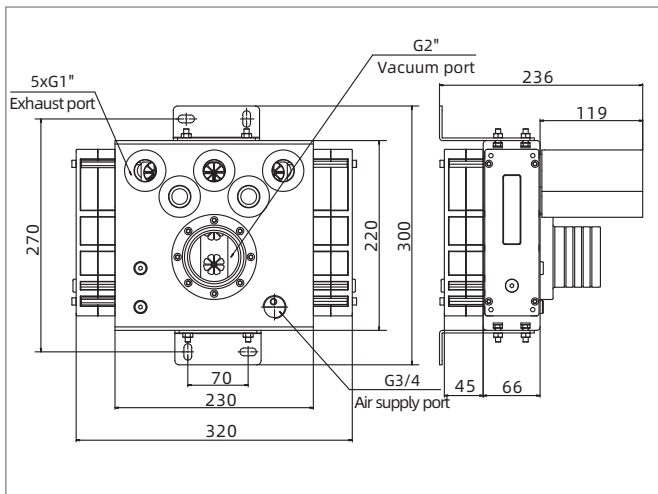
Dimensions(mm)



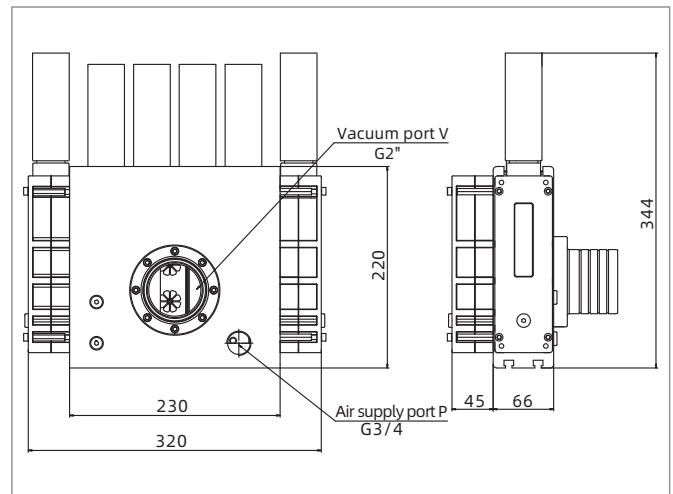
AM400M AL400M



AM400M-P AL400M-P



AM500M AL500M



AM500M-P AL500M-P

Vacuum Generator

AZK

AZQ

AZX

AZD

AGS

AGB

AGP

AGX

AGE

ABM/ABX

ABM/ABX
Combined Type

AMC

AM/AL/AH

AM/AL
Combined Type

AMD

AZW

AZR

ABT

ABP

ABQ

AEVC

AZL

ALH

AZH

AZU

ACV

ASBP

ALS

ACP

ACPF

ACPS

APB

AMD Series

Large Flow Vacuum Generator



UNIVERSAL

Features

- ◇ Built-in vacuum cartridge, greatly improve the energy consumption ratio
- ◇ Suitable connection specifications can be configured according to different vacuum flow requirements
- ◇ Various connection specifications can meet different requirements

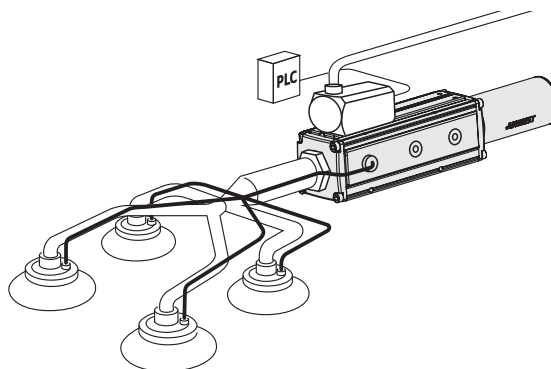
Advantages

- ◇ Easy installation, easy maintenance, it can be replaced by users themselves
- ◇ Various connection specifications can meet different customized requirements
- ◇ Multistage vacuum generator, the housing is made of aluminum alloy



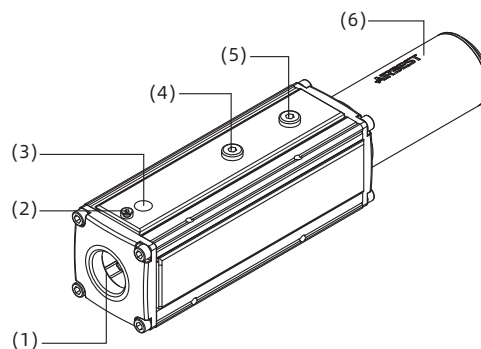
Applications

- ◇ Suitable for multi-station vacuum grasping applications
- ◇ Suitable for vacuum evacuation occasions in pharmaceutical and food industry



Structure

- ◇ (1) Vacuum port
- ◇ (2) Release port
- ◇ (3) Air supply port
- ◇ (4) Vacuum port
- ◇ (5) Exhaust port
- ◇ (6) Silencer



AMD Series

Large Flow Vacuum Generator

How to order

AMD - S 3 - LG8 - G8
 ① ② ③ ④ ⑤

① Series	② Performance	③ Specification	④ Connection plate specification	⑤ Vacuum port specification
AMD	X - High vacuum level	1	LG8 - Straight exhaust, Air supply port: G1/4	G8 - Vacuum port G1
	S - Large vacuum flow	2	Vacuum detecting port: G1/8,	G6 - Vacuum port G3/4
		3	Exhaust detecting port: G1	
		4	LG6 - Side exhaust, Air supply port: G1/4	
			Vacuum detecting port: G1/8, Exhaust port: G3/4	

Technical parameters

Model	Air supply pressure range bar	Working temperature °C	Rated air supply pressure bar	Max. vacuum level -kPa	Max. vacuum flow NL/min	Air consumption NL/min	Noise level dB(A)	Recommended hose dia. mm	
								(Hose outer dia.) Air supply port	(Wired hose inner dia.) Vacuum port
AMD-X1	4.0~7.0	-10~80	5.0	95	354	130	63~72	≥φ8	≥φ25
AMD-X2	4.0~7.0	-10~80	5.0	95	700	260	63~72	≥φ8	≥φ25
AMD-X3	4.0~7.0	-10~80	5.0	95	980	390	63~72	≥φ10	≥φ45
AMD-X4	4.0~7.0	-10~80	5.0	95	1,380	520	63~72	≥φ10	≥φ45
AMD-S1	4.0~7.0	-10~80	6.0	75	360	135	63~72	≥φ8	≥φ32
AMD-S2	4.0~7.0	-10~80	6.0	75	710	270	63~72	≥φ8	≥φ32
AMD-S3	4.0~7.0	-10~80	6.0	75	1,050	405	63~72	≥φ10	≥φ45
AMD-S4	4.0~7.0	-10~80	6.0	75	1,410	540	63~72	≥φ10	≥φ45

Vacuum flow(NL/min) at different vacuum levels(-kPa)

Model	Air supply pressure bar	Air consumption NL/min	Vacuum level (-kPa)											Max. vacuum level -kPa
			0	10	20	30	40	50	60	70	80	90		
AMD-X1	5.0	135	354	180	120	78	43.8	34.8	25.8	19.2	10.8	1.8	95	
AMD-X2	5.0	270	700	360	240	156	87.6	69.6	51.6	38.4	21.6	3.6	95	
AMD-X3	5.0	405	980	540	360	234	131.4	104.4	77.4	57.6	32.4	5.4	95	
AMD-X4	5.0	540	1,380	720	480	312	175.2	139.2	103.2	76.8	43.2	7.2	95	
AMD-S1	6.0	130	360	210	156	102	54	36	30	21	-	-	75	
AMD-S2	6.0	260	710	420	312	204	108	72	60	42	-	-	75	
AMD-S3	6.0	390	1,050	630	468	306	162	108	90	66	-	-	75	
AMD-S4	6.0	520	1,410	840	624	408	216	144	120	84	-	-	75	

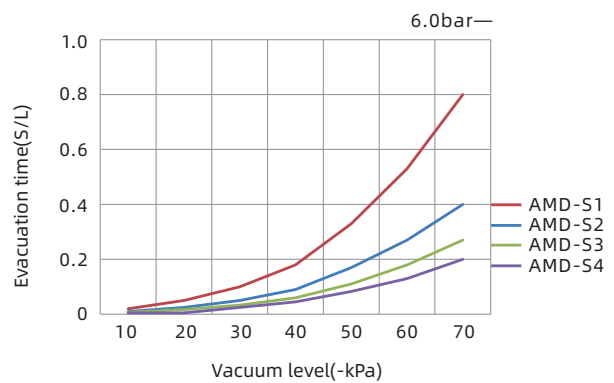
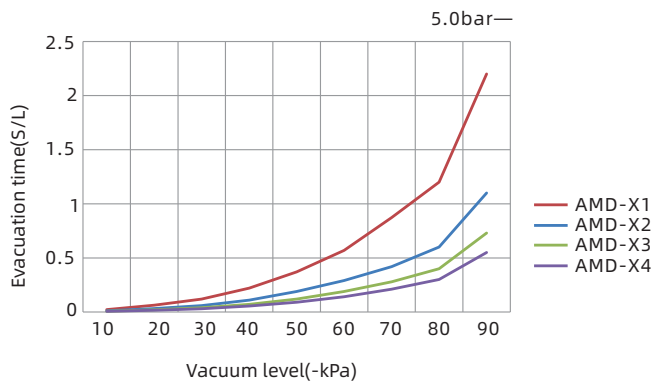
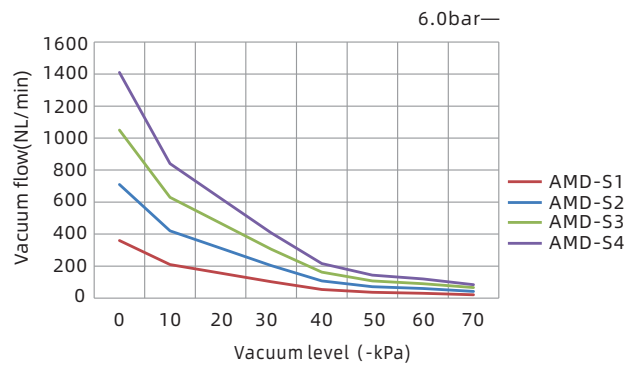
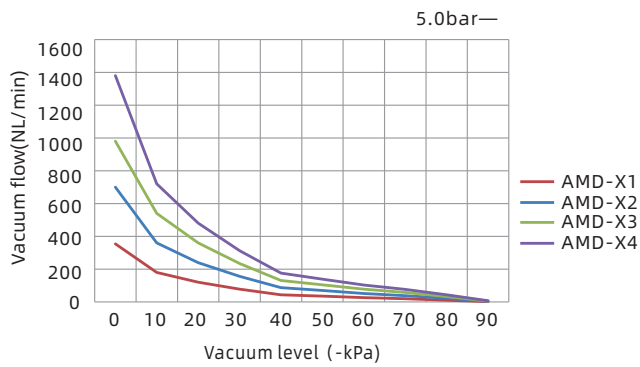
AMD Series

Large Flow Vacuum Generator



Evacuation time(s/L) to reach different vacuum levels(-kPa)

Model	Air supply pressure bar	Air consumption NL/min	10	20	30	40	50	60	70	80	90	Max. Vacuum level -kPa
AMD-X1	5.0	135	0.022	0.063	0.12	0.22	0.37	0.57	0.874	1.2	2.2	95
AMD-X2	5.0	270	0.011	0.031	0.06	0.11	0.19	0.29	0.42	0.6	1.1	95
AMD-X3	5.0	405	0.007	0.021	0.04	0.07	0.12	0.19	0.28	0.4	0.73	95
AMD-X4	5.0	540	0.006	0.016	0.03	0.055	0.09	0.14	0.21	0.3	0.55	95
AMD-S1	6.0	130	0.02	0.05	0.1	0.18	0.33	0.53	0.8	-	-	75
AMD-S2	6.0	260	0.01	0.025	0.05	0.09	0.17	0.27	0.4	-	-	75
AMD-S3	6.0	390	0.007	0.017	0.033	0.06	0.11	0.18	0.27	-	-	75
AMD-S4	6.0	520	0.005	0.005	0.025	0.045	0.083	0.13	0.2	-	-	75

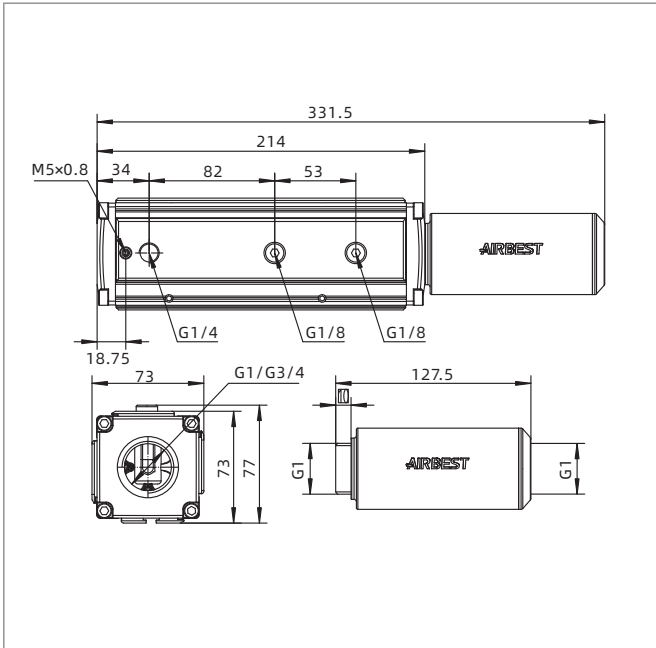


AMD Series

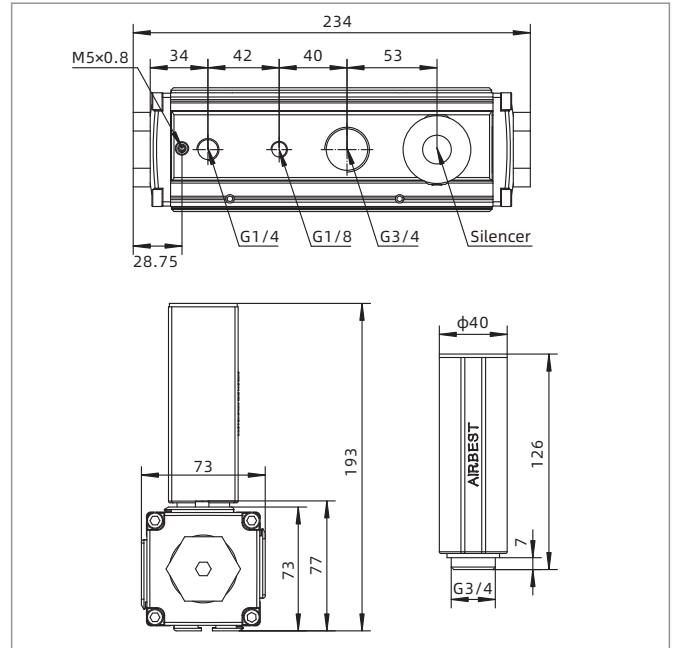
Large Flow Vacuum Generator



Dimensions(mm)

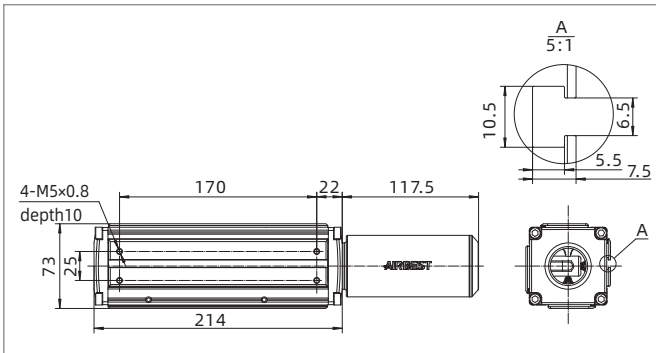


AMD-□-LG8-□ type (Straight exhaust)



AMD-□-LG6-□ type (Side exhaust)

Mounting dimensions(mm)



Vacuum Generator

AZK

AZQ

AZX

AZD

AGS

AGB

AGP

AGX

AGE

ABM/ABX

ABM/ABX
Combined Type

AMC

AM/AL/AH

AM/AL
Combined Type

AMD

AZW

AZR

ABT

ABP

ABQ

AEVC

AZL

ALH

AZH

AZU

ACV

ASBP

ALS

ACP

ACPF

ACPS

APB

AZW Series



Large Flow Integrated Vacuum Generator



BIO-PHARMACEUTICAL FOOD INDUSTRY

Features

- ◇ Built-in high performance vacuum cartridge
- ◇ External silencer
- ◇ Centralized air supply, solenoid valves of each station controll separately
- ◇ Multi-station, large flow, integrated design

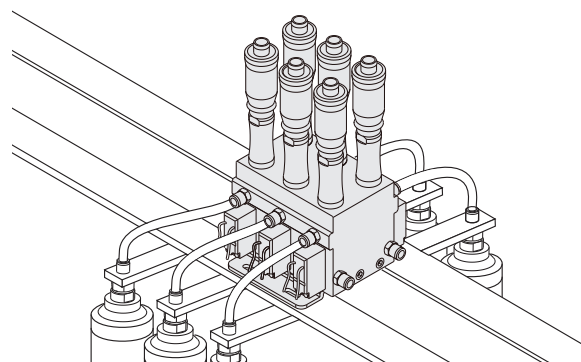
Advantages

- ◇ Easy installation, easy maintenance, it can be replaced by users themselves
- ◇ Reduce product noise most
- ◇ Customers can open or close according to the actual application conditions to save air source
- ◇ High vacuum level, large flow, it can reach high vacuum level in a short time



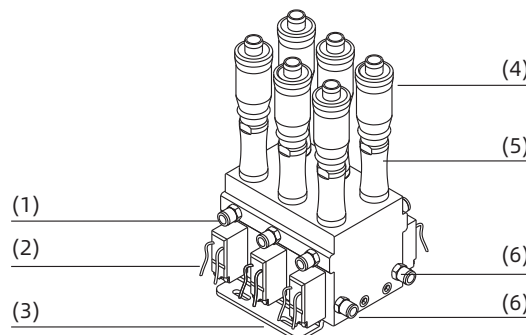
Applications

- ◇ Suitable for multi-station vacuum grasping applications
- ◇ Suitable for the occasions with high demand on the evacuation time
- ◇ Suitable for fast evacuation occasions in medical and food industry



Structure

- ◇ (1) Vacuum port
- ◇ (2) Air supply valve
- ◇ (3) Mounting bracket
- ◇ (4) Silencer
- ◇ (5) Vacuum cartridge
- ◇ (6) Air supply port



AZW Series

Large Flow Integrated Vacuum Generator

How to order

AZW - 06V

① ②

① Series	② Vacuum stack quantity
AZW	03V - 3 stacks 06V - 6 stacks

Technical parameters

Model	Air supply pressure range bar	Rated air supply pressure bar	Max.vacuum level -kPa	Max. vacuum flow NL/min	Air consumption NL/min	Noise level dB(A)
AZW	4.0~7.0	6.0	95	140	135	74

Model	Solenoid valve rated working voltage V	Solenoid valve status	Solenoid valve rated power W	Working temperature °C	Weight kg		Recommended hose dia.mm	
					03V	06V	Air supply port P	Vacuum port V
AZW	DC24	Normally closed(NC)	5.4	0~60	1.2	2.3	φ10	φ10

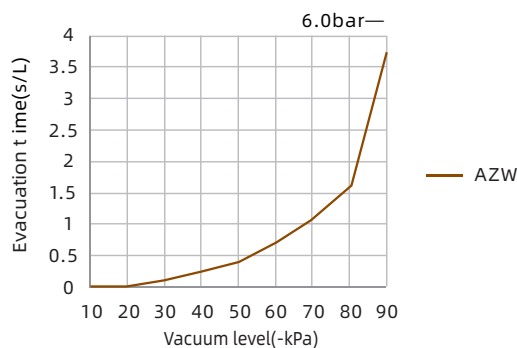
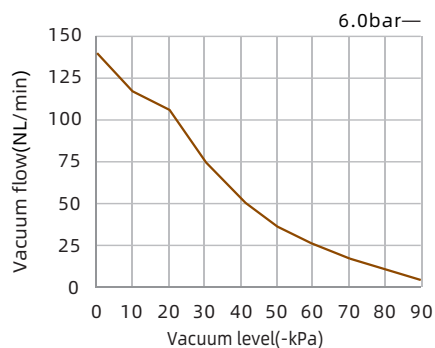
Vacuum flow(NL/min) at different vacuum levels(-kPa)

Model	Air supply pressure bar	Air consumption NL/min	Max. vacuum level -kPa										
			0	10	20	30	40	50	60	70	80	90	
AZW	6.0	135	140	117	106	76	54	36	26	18	11.5	5.2	95

Evacuation time(s/L) to reach different vacuum levels(-kPa)

Model	Air supply pressure bar	Air consumption NL/min	Max. vacuum level -kPa									
			1	20	30	40	50	60	70	80	90	
AZW	6.0	135	0.01	0.02	0.08	0.23	0.43	0.71	1.04	1.61	3.72	95

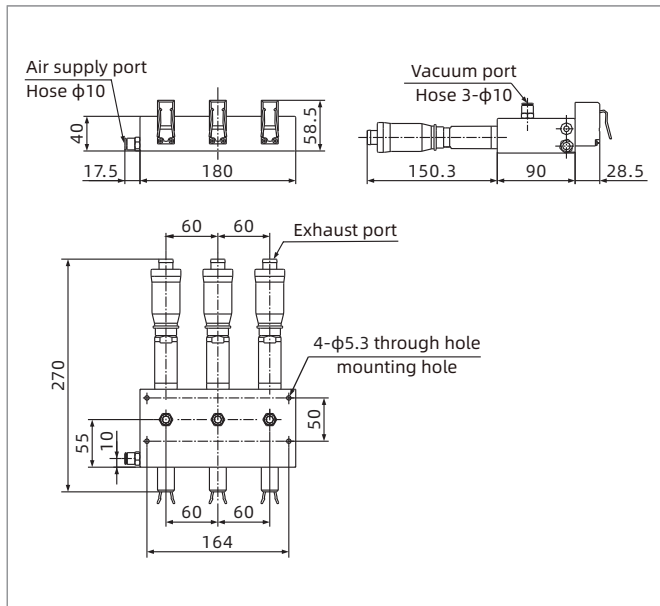
◇ Note: The above data is the data of one stack, the actual air consumption and max. vacuum flow need to be multiplied by the number of stack of the vacuum generator



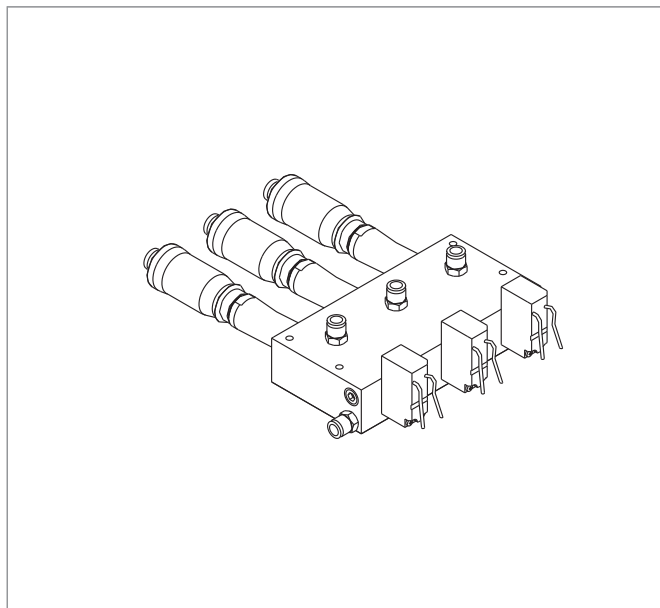
AZW Series

Large Flow Integrated Vacuum Generator

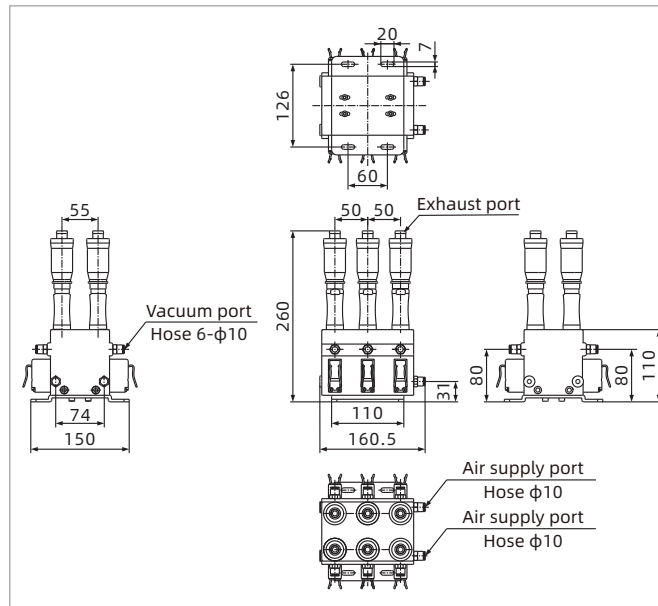
Dimensions(mm)



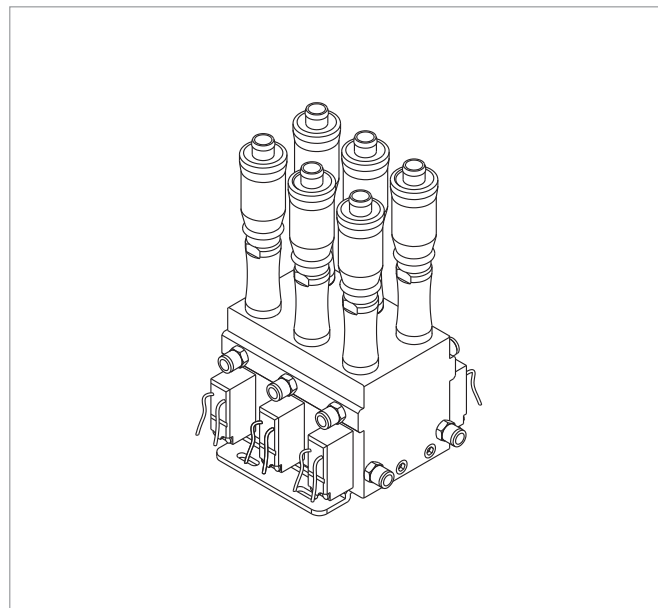
AZW-03V



AZW-03V Schematic diagram



AZW-06V



AZW-06V Schematic diagram

AZR Series

Mini Vacuum Generator

AIRBEST



ELECTRONICS



PLASTIC

RoHS

Features

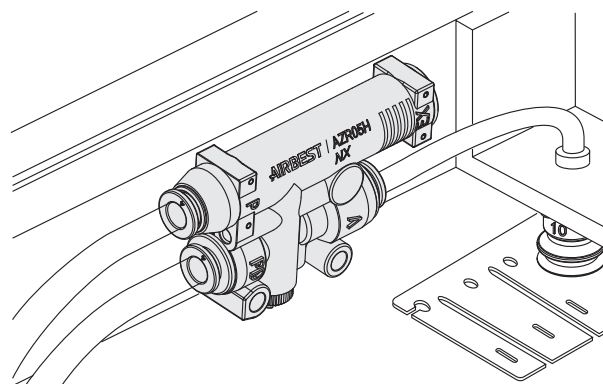
- ◇ Small size, light weight
- ◇ High vacuum level type and large vacuum flow type are optional
- ◇ The generator has vacuum breaking function itself
- ◇ Separate vacuum filter and mounting bracket are optional

Advantages

- ◇ For the occasions with limited installation space and weight
- ◇ It can meet different requirements of vacuum flow in different working conditions
- ◇ There is no need for external control device, can quickly release the product
- ◇ Customers can choose freely according to the actual working conditions

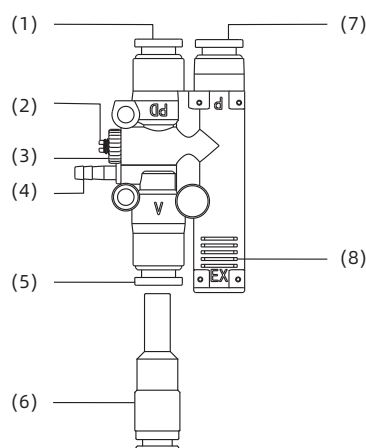
Applications

- ◇ Suitable for handling electronic components and other small workpieces
- ◇ Suitable for working occasions where quick picking and quick release are required



Structure

- ◇ (1) Release port
- ◇ (2) Vacuum release regulating valve
- ◇ (3) Lock nut
- ◇ (4) Vacuum detecting port
- ◇ (5) Vacuum port
- ◇ (6) Vacuum filter
- ◇ (7) Air supply port
- ◇ (8) Exhaust port



Vacuum Generator

AZK

AZQ

AZX

AZD

AGS

AGB

AGP

AGX

AGE

ABM/ABX

ABM/ABX
Combined Type

AMC

AM/AL/AH

AM/AL
Combined Type

AMD

AZW

AZR

ABT

ABP

ABQ

AEVC

AZL

ALH

AZH

AZU

ACV

ASBP

ALS

ACP

ACPF

ACPS

APB

AZR Series

Mini Vacuum Generator

How to order

AZR 07 H - J - V - F
 ① ② ③ ④ ⑤ ⑥

① Series	② Nozzle Diameter	③ Specification	④ Exhaust way	⑤ Special specification	⑥ Vacuum filter
AZR	05 - ϕ 0.5mm 07 - ϕ 0.7mm	H - High vacuum level type L - Large vacuum flow type	Nil - Direct exhaust J - Centralized exhaust	Nil - Standard type V - Vacuum detecting port	Nil - Standard type F - With vacuum filter

Selection

Model/ Nozzle Diameter	05		07	
AZR□□	AZR05H	AZR05L	AZR07H	AZR07L
AZR□□-J	AZR05H-J	AZR05L-J	AZR07H-J	AZR07L-J
AZR□□-J-F	AZR05H-J-F	AZR05L-J-F	AZR07H-J-F	AZR07L-J-F
AZR□□-J-V	AZR05H-J-V	AZR05L-J-V	AZR07H-J-V	AZR07L-J-V
AZR□□-J-V-F	AZR05H-J-V-F	AZR05L-J-V-F	AZR07H-J-V-F	AZR07L-J-V-F
AZR□□-V	AZR05H-V	AZR05L-V	AZR07H-V	AZR07L-V
AZR□□-V-F	AZR05H-V-F	AZR05L-V-F	AZR07H-V-F	AZR07L-V-F
AZR□□-F	AZR05H-F	AZR05L-F	AZR07H-F	AZR07L-F

Technical parameters

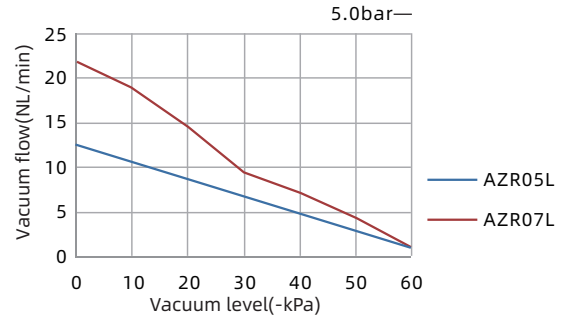
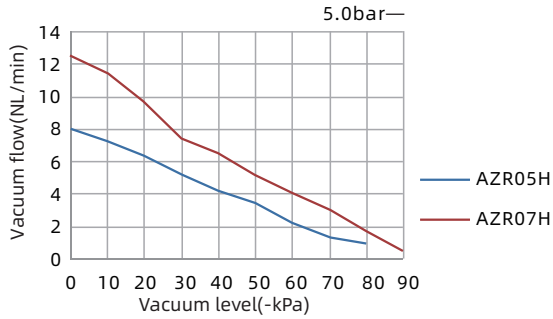
Model	Rated air supply pressure bar	Max. vacuum level -kPa	Max. vacuum flow NL/min	Max. break flow rate NL/min	Air consumption NL/min	Noise level dB(A)	Weight g	Air supply port P	Recommended hose dia. mm Vacuum port V
AZR05H	5.0	88	7.0	40	11	80	19	ϕ 4	ϕ 4
AZR07H	5.0	88	12.5	40	22	80	20	ϕ 6	ϕ 6
AZR05L	5.0	58	12.0	40	11	70	19	ϕ 4	ϕ 4
AZR07L	5.0	58	20.0	40	22	70	20	ϕ 6	ϕ 6

◇ Note: Max. air supply pressure is 6.0 bar.

Vacuum flow(NL/min) at different vacuum levels(-kPa)

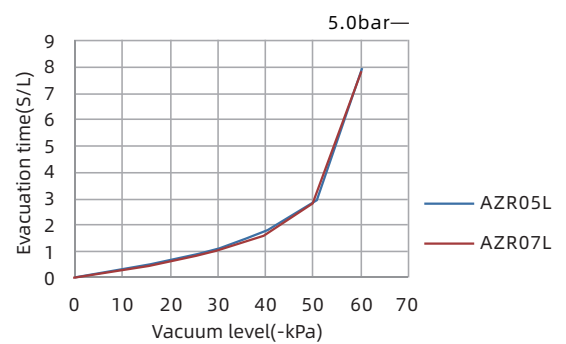
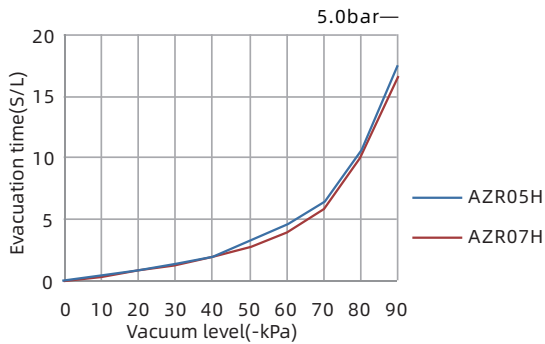
Model	Air supply pressure bar	Air consumption NL/min	0	10	20	30	40	50	60	70	80	Max. vacuum level -kPa
AZR05H	5.0	11	8.0	7.3	6.3	5.2	4.2	3.4	2.2	1.4	1.0	88
AZR07H	5.0	22	12.5	11.5	9.7	7.4	6.5	5.2	4.1	3.0	1.7	88
AZR05L	5.0	11	12.5	10.5	8.7	6.9	5.0	2.9	1.0	-	-	58
AZR07L	5.0	22	22.0	19.1	14.5	9.4	7.2	4.3	1.0	-	-	58

Vacuum flow(NL/min) at different vacuum levels(-kPa)

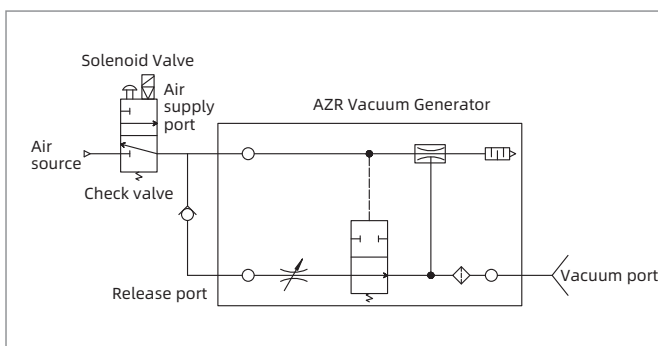


Evacuation time(s/L) to reach different vacuum levels(-kPa)

Model	Air supply pressure bar	Air consumption NL/min	10	20	30	40	50	60	70	80	Max. vacuum level -kPa
AZR05H	5.0	11	0.42	0.83	1.30	1.92	3.2	4.5	6.3	10.5	88
AZR07H	5.0	22	0.34	0.75	1.22	1.87	2.7	3.8	5.7	9.9	88
AZR05L	5.0	11	0.32	0.64	1.06	1.73	2.9	8.2	-	-	58
AZR07L	5.0	22	0.23	0.53	0.93	1.53	2.8	7.8	-	-	58



Air circuit schematic diagram



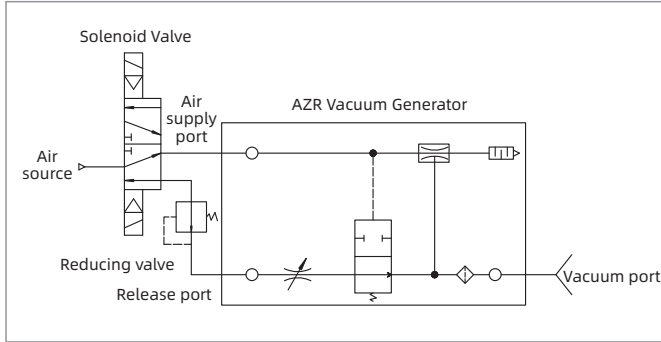
Vacuum release principle and attentions:

- ◇ 1. Close solenoid valve and stop air supply, open the release valve. The residual positive pressure air in the air circuit between check valve and release port flows into the vacuum circuit to release vacuum
- ◇ 2. Change the tube length between the check valve and release port to adjust the residual positive pressure air volume. In this way, the vacuum releasing time can be adjusted
- ◇ 3. The vacuum releasing flow of this way is small

AZR Series

Mini Vacuum Generator

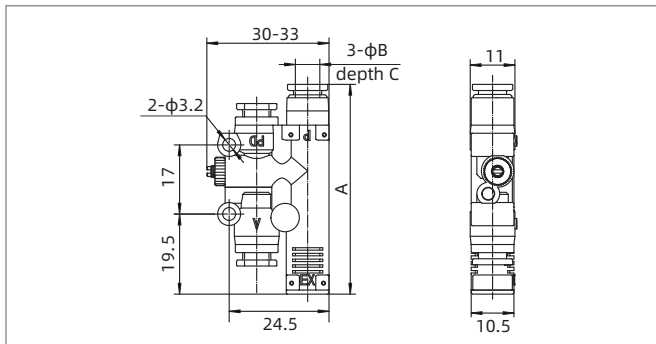
Air circuit schematic diagram



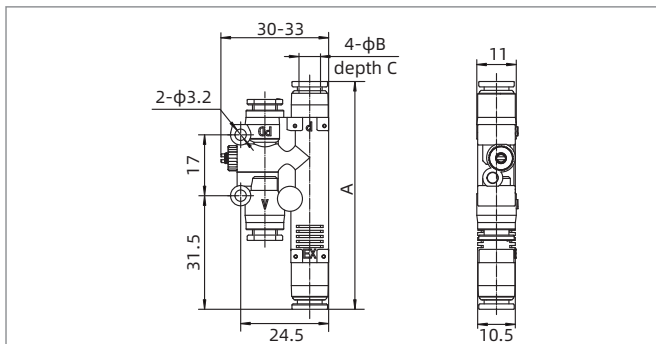
Vacuum release principle and attentions:

- ◇ 1. Close solenoid valve and stop air supply, open the release valve, and the positive pressure air flows directly into the vacuum circuit to release the vacuum
- ◇ 2. Can adjust the vacuum releasing time through controlling the air supply time of solenoid valve
- ◇ 3. Adjust the air releasing pressure through the reducing valve to avoid excessive pressure blowing away the workpiece
- ◇ 4. The air releasing pressure must be lower than air supply pressure of vacuum generator
- ◇ 5. The releasing flow and pressure can be adjusted freely as required

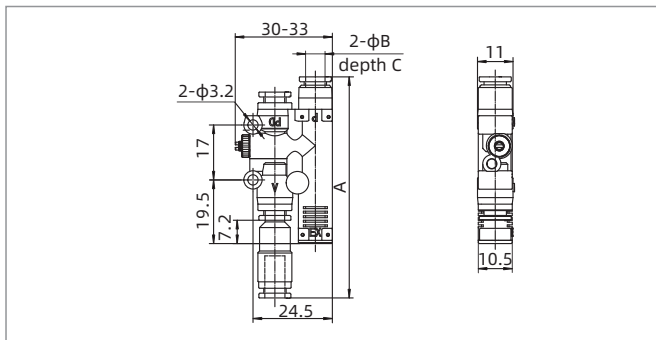
Dimensions(mm)



AZR□□



AZR□□-J



AZR□□-F

Model/Size	A	B	C
AZR05H	49.5	4	10
AZR05L	49.5	4	10
AZR07H	51.5	6	12.5
AZR07L	51.5	6	12.5

◇ Note:"C" is insert depth

Model/Size	A	B	C
AZR05H-J	61.5	4	10
AZR05L-J	61.5	4	10
AZR07H-J	63.5	6	12.5
AZR07L-J	63.5	6	12.5

◇ Note:"C" is insert depth

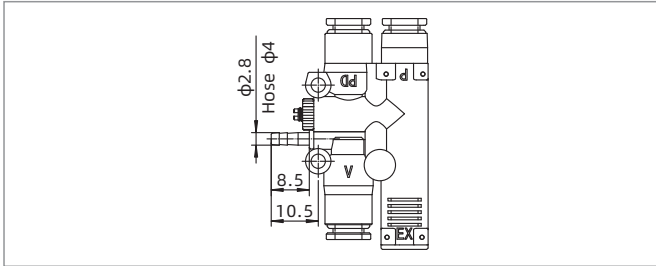
Model/Size	A	B	C
AZR05H-F	65.5	4	10
AZR05L-F	65.5	4	10
AZR07H-F	68.8	6	12.5
AZR07L-F	68.8	6	12.5

◇ Note:"C" is insert depth

AZR Series

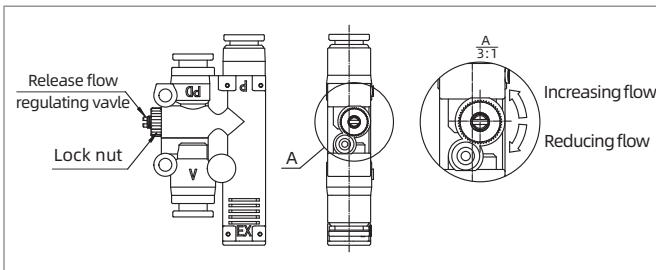
Mini Vacuum Generator

Dimensions(mm)



AZR□□-V

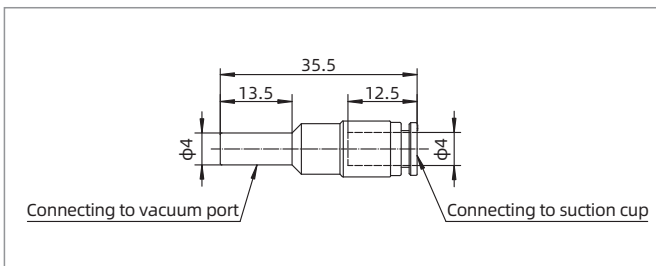
Vacuum release function



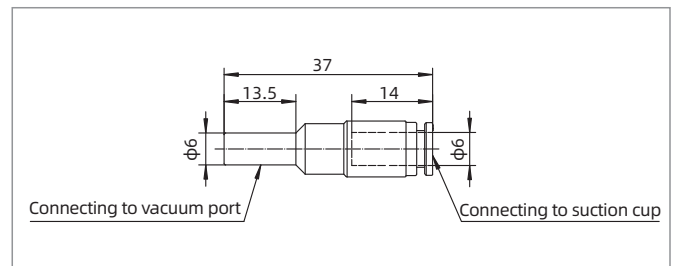
Vacuum releasing flow regulation:

- ◇ 1. Rotating clockwise the releasing flow regulating valve to reduce the releasing flow. Rotating counterclockwise the releasing flow regulating valve to increase the releasing flow
- ◇ 2. When regulation is finished, tighten the lock nut clockwise to fix the position of the regulating valve
- ◇ 3. The regulating valve has limited positions. When it can not be turned clockwise or counterclockwise, it means that the limit position has been reached

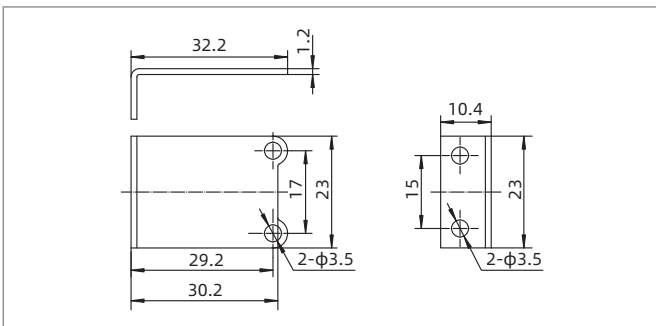
Repair kits dimensions(mm)



ZFD04 Vacuum filter



ZFD06 Vacuum filter



AZR-B Mounting bracket

Item	Model	Applicable vacuum generator
Vacuum filter	ZFD04	AZR05H、AZR05L
Vacuum filter	ZFD06	AZR07H、AZR07L
Mounting bracket	AZR-B	AZR05H、AZR05L、AZR07H、AZR07L

ABT Series

Mini Vacuum Generator



UNIVERSAL

Features

- ◇ Linear installation
- ◇ Long and thin plastic housing, compact size
- ◇ Quick plug connector for direct connection
- ◇ Optimal lateral direct exhaust design

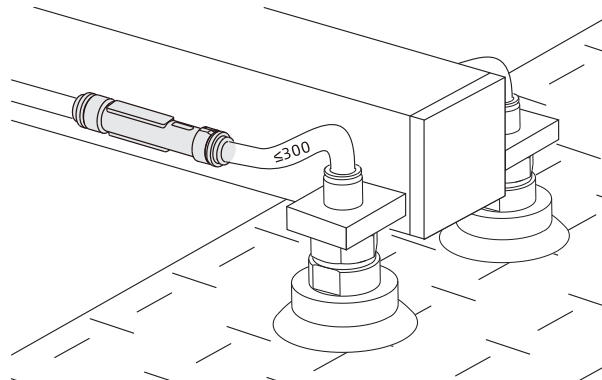
Advantages

- ◇ Can be connected to the hose directly
- ◇ Suitable for installation in narrow spaces
- ◇ Convenient connection, no additional installation accessories are required
- ◇ Minimize product noise



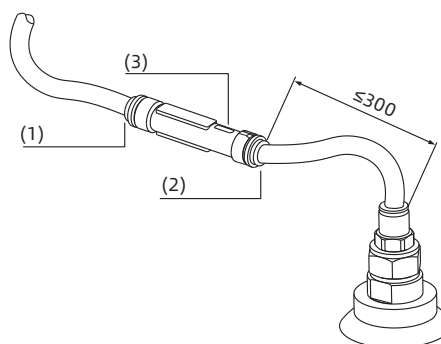
Applications

- ◇ The linear vacuum generator can be connected to the PU hose directly
- ◇ Suitable for the handling systems with limited space



Structure

- ◇ (1) Air supply port
- ◇ (2) Vacuum port
- ◇ (3) Exhaust port



ABT Series

Mini Vacuum Generator

How to order

ABT - T05

① ②

① Series	② Specification
ABT	S02 X10 T05 P12 X2.5 D16 S08

Technical parameters

Model	Air supply pressure range bar	Rated air supply pressure bar	Max. vacuum level -kPa	Max. vacuum flow NL/min	Air consumption NL/min	Noise level dB(A)	Working temperature °C	Weight g	Recommended hose dia.(mm)	
									Air supply port	Vacuum port
ABT-S02	4.0~7.0	6.0	75	16.8	8	70	0~60	15	φ6	φ6
ABT-T05	4.0~7.0	5.0	81	18	18.5	70	0~60	15	φ6	φ6
ABT-X2.5	4.0~7.0	5.0	90	15.6	9.5	70	0~60	15	φ6	φ6
ABT-S08	4.0~7.0	6.0	75	46	27	73	0~60	29	φ8	φ8
ABT-X10	4.0~7.0	5.0	92	42	30	73	0~60	29	φ8	φ8
ABT-P12	2.0~7.0	3.14	90	42	29	73	0~60	29	φ8	φ8
ABT-D16	4.0~7.0	6.0	72	40	46	77	0~60	29	φ8	φ8

Vacuum flow(NL/min) at different vacuum levels(-kPa)

Model	Air supply pressure bar	Air consumption NL/min	Vacuum level (-kPa)									Max. vacuum level -kPa
			0	10	20	30	40	50	60	70	80	
ABT-S02	6.0	8	16.8	12.2	6.3	4.6	3.9	3.0	2.0	-	-	75
ABT-T05	5.0	18.5	18	16.2	13.3	9.9	8.2	5.6	4.2	3.1	1.3	81
ABT-X2.5	5.0	9.5	15.6	11.6	6.6	4	3.3	2.6	1.7	-	-	90
ABT-S08	6.0	27	46	42	32.6	22.6	12	9.8	8.3	5.9	-	75
ABT-X10	5.0	30	42	40	30.6	22.2	13.5	8.9	6.6	4.5	2	92
ABT-P12	3.14	29	42	36	25.6	14.9	10.4	8.9	6.6	4.2	19	90
ABT-D16	6.0	46	40	38	30.5	26.7	22	17	12	3.5	-	72

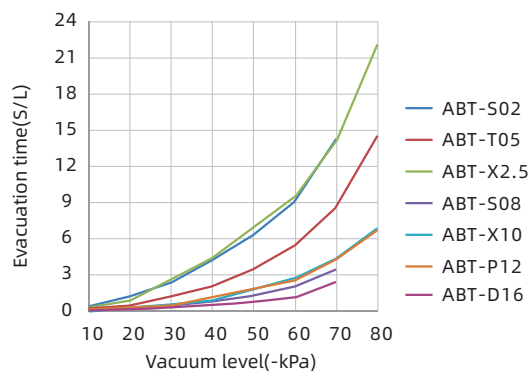
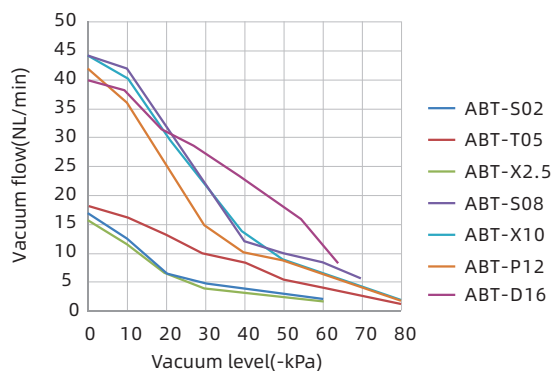
Evacuation time(s/L) to reach different vacuum levels(-kPa)

Model	Air supply pressure bar	Air consumption NL/min	Vacuum level (-kPa)									Max. vacuum level -kPa
			10	20	30	40	50	60	70	80		
ABT-S02	6.0	8	0.3	1.1	2.4	4.1	6.2	9	14.3	-	75	
ABT-T05	5.0	18.5	0.18	0.52	1.11	1.98	3.35	5.45	8.5	14.6	81	
ABT-X2.5	5.0	9.5	0.3	0.9	2.4	4.3	6.7	9.5	14.1	22.03	90	
ABT-S08	6.0	27	0.07	0.2	0.39	0.74	1.35	2.14	3.35	-	75	
ABT-X10	5.0	30	0.05	0.23	0.48	0.95	1.68	2.71	4.18	6.86	92	
ABT-P12	3.14	29	0.12	0.29	0.59	1.07	1.86	2.66	4.33	6.72	90	
ABT-D16	6.0	46	0.04	0.18	0.39	0.63	0.95	1.47	3.1	-	72	

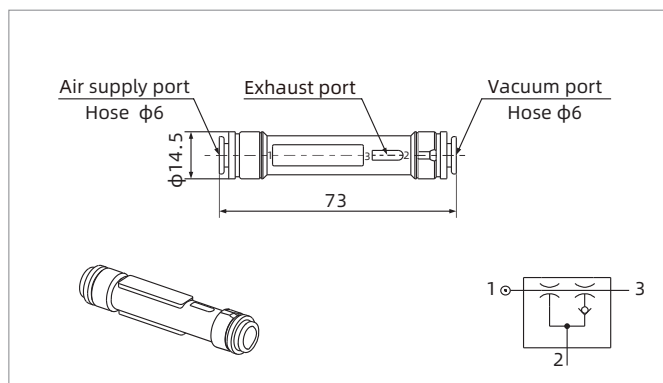
ABT Series

Mini Vacuum Generator

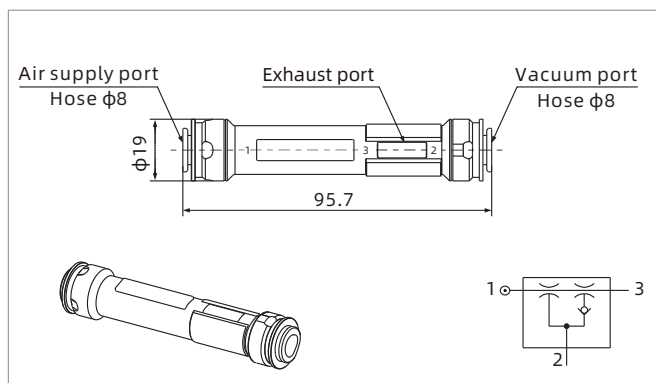
Technical parameters



Dimensions(mm)



ABT-S02/T05/X2.5



ABT-S08/X10/P12/D16

ABP Series

Vacuum Generator with Fast Blow-off



UNIVERSAL

Features

- ◇ Axial connection
- ◇ Plastic housing, compact size, light weight
- ◇ Connect plug-in fitting directly
- ◇ Optimal direct lateral exhaust design
- ◇ Built-in fast breaking device, no need of external drive

Advantages

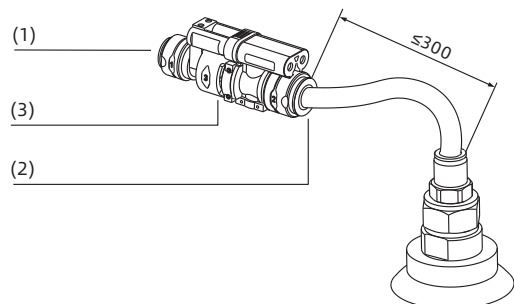
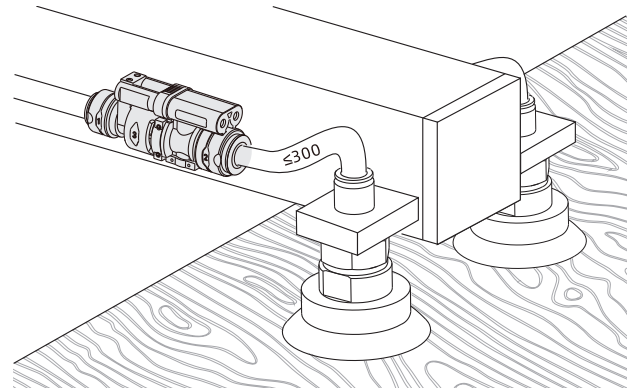
- ◇ Connect hose directly
- ◇ Suitable for installing in narrow space
- ◇ Easy to mount, there is no need to add extra mounting accessories
- ◇ Reduce product noise most
- ◇ Release product fast

Applications

- ◇ The linear vacuum generator can be connected with the PU hose directly
- ◇ Suitable for the handling systems with limited space
- ◇ Suitable for occasions where there is no need of external drive and can automatically release workpiece fast
- ◇ Suitable for occasions where need to grip and release workpieces fastly, and there is requirement for light weight of whole equipment, etc.

Structure

- ◇ (1) Air supply port
- ◇ (2) Vacuum port
- ◇ (3) Exhaust port



Vacuum Generator

AZK

AZQ

AZX

AZD

AGS

AGB

AGP

AGX

AGE

ABM/ABX

ABM/ABX
Combined Type

AMC

AM/AL/AH

AM/AL
Combined Type

AMD

AZW

AZR

ABT

ABP

ABQ

AEVC

AZL

ALH

AZH

AZU

ACV

ASBP

ALS

ACP

ACPF

ACPS

APB

ABP Series



Vacuum Generator with Fast Blow-off

How to order

ABP - 10

① ②

① Series	② Specification
ABP	10

Technical parameters

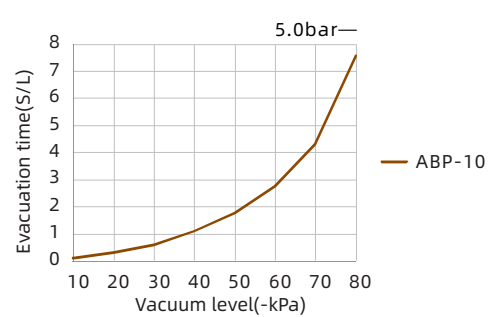
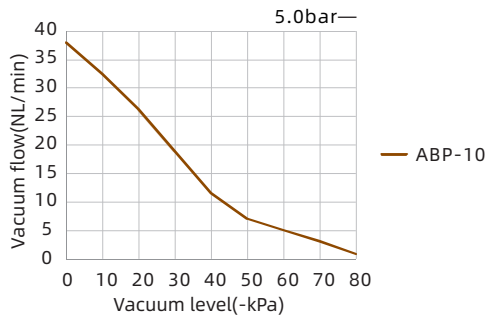
Model	Air supply pressure range bar	Rated air supply pressure bar	Max. vacuum level -kPa	Max. vacuum flow NL/min	Air consumption NL/min	Noise level dB(A)	Working temperature °C	Weight g	Recommended hose dia.(mm) Air supply port P	Vacuum port V
ABP-10	4.0~7.0	5.0	81	38	38	70	0~60	34	φ8	φ10

Vacuum flow(NL/min) at different vacuum levels(-kPa)

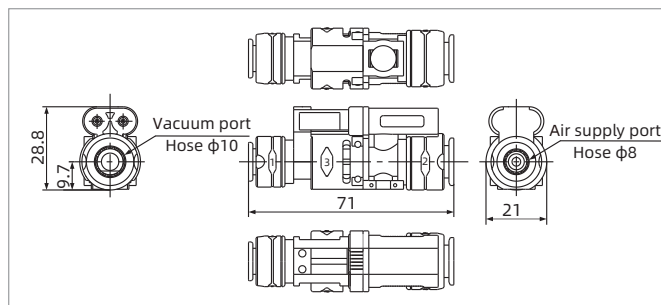
Model	Air supply pressure bar	Air consumption NL/min	0	10	20	30	40	50	60	70	80	Max. vacuum level -kPa
ABP-10	5.0	38	38.0	32.4	26.3	18.9	11.5	7.1	5.0	3.2	0.8	81

Evacuation time(s/L) to reach different vacuum levels(-kPa)

Model	Air supply pressure bar	Air consumption NL/min	10	20	30	40	50	60	70	80	Max. vacuum level -kPa
ABP-10	5.0	38	0.12	0.32	0.61	1.08	1.76	2.73	4.29	7.58	81

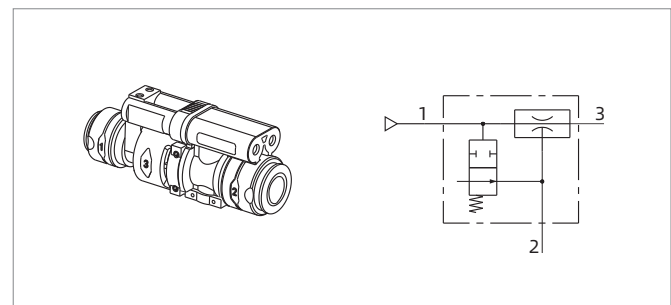


Dimensions(mm)



ABP-10

ABP-10 Air circuit schematic diagram



ABP-10

Note: 1. Air supply port, 2. Vacuum port, 3. Exhaust port

ABQ Series

Vacuum Generator with Fast Blow-off



UNIVERSAL

Features

- ◇ Plastic housing, compact size and light weight
- ◇ Connect plug-in fitting directly
- ◇ Optimal direct lateral exhaust design
- ◇ Built-in fast blow-off device

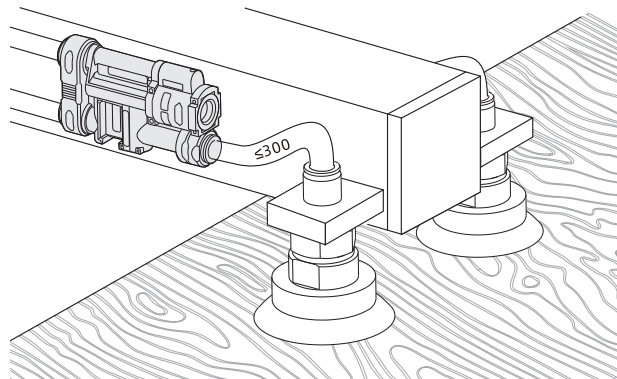
Advantages

- ◇ Suitable for installing in narrow space
- ◇ Easy installation, no need extra mounting accessory
- ◇ Minimize product noise
- ◇ Safe and reliable with fast blow-off system



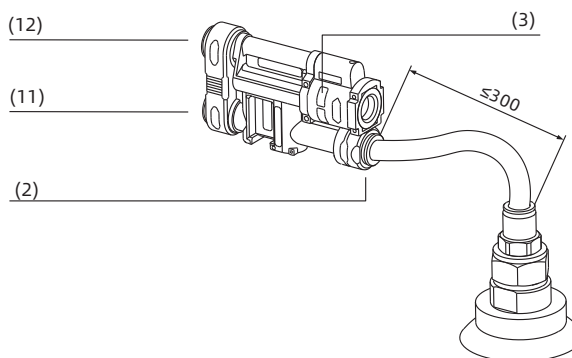
Applications

- ◇ Suitable for handling system with limited space
- ◇ Suitable for occasions where require safe and quick release of the workpieces
- ◇ Suitable for occasions where need to grip and release workpieces fastly, and there is requirement for light weight of whole equipment, etc.



Structure

- ◇ (11) Air supply port
- ◇ (12) Vacuum release port
- ◇ (2) Vacuum port
- ◇ (3) Exhaust port



Vacuum Generator

AZK

AZQ

AZX

AZD

AGS

AGB

AGP

AGX

AGE

ABM/ABX

ABM/ABX
Combined Type

AMC

AM/AL/AH

AM/AL
Combined Type

AMD

AZW

AZR

ABT

ABP

ABQ

AEVC

AZL

ALH

AZH

AZU

ACV

ASBP

ALS

ACP

ACPF

ACPS

APB

ABQ Series



Vacuum Generator with Fast Blow-off

How to order

ABQ - 08

① ②

① Series	② Specification
ABQ	08

Technical parameters

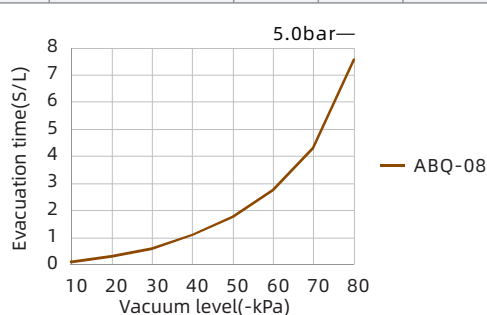
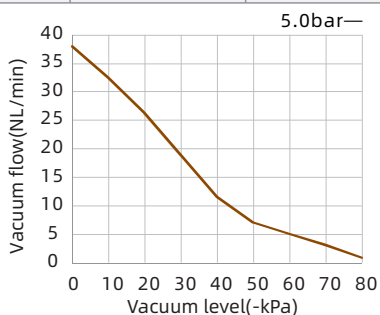
Model	Air supply pressure range bar	Rated air supply pressure bar	Max. vacuum level -kPa	Max. vacuum flow NL/min	Air consumption NL/min	Noise level dB(A)	Working temperature °C	Weight g	Recommended hose dia.(mm)	
									Air supply port	Vacuum port
ABQ-08	4.0~7.0	5.0	81	38	38	70	0~60	55	φ8	φ8

Vacuum flow(NL/min) at different vacuum levels(-kPa)

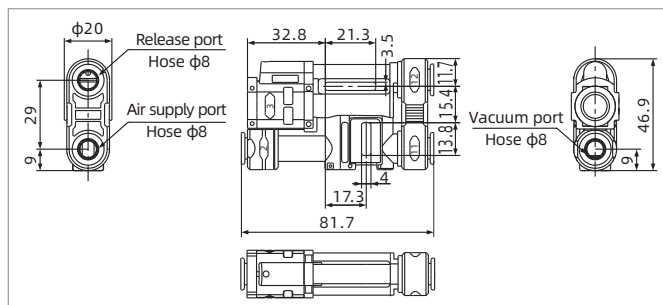
Model	Air supply pressure range bar	Air consumption NL/min	0	10	20	30	40	50	60	70	80	Max. vacuum level -kPa
			38.0	32.4	26.3	18.9	11.5	7.1	5.0	3.2	0.8	
ABQ-08	5.0	38	38.0	32.4	26.3	18.9	11.5	7.1	5.0	3.2	0.8	81

Evacuation time(s/L) to reach different vacuum levels(-kPa)

Model	Air supply pressure range bar	Air consumption NL/min	10	20	30	40	50	60	70	80	Max. vacuum level -kPa
			0.12	0.32	0.61	1.08	1.76	2.73	4.29	7.58	
ABQ-08	5.0	38	0.12	0.32	0.61	1.08	1.76	2.73	4.29	7.58	81

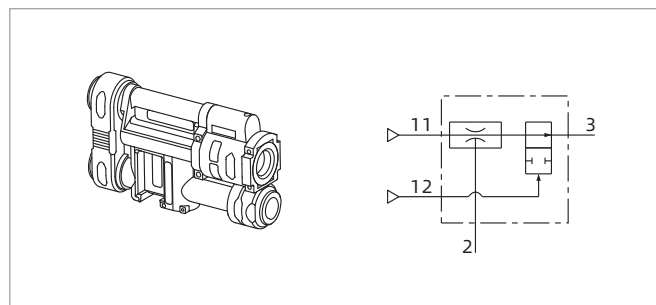


Dimensions(mm)



ABQ-08

ABQ-08 Air circuit schematic diagram



ABQ-08 Note: 11. Air supply port, 12. Release port, 3. Exhaust port, 2: Vacuum port

AEVC Series

Vacuum Generator with Fast Blow-off



METAL SHEET



PACKAGING



AUTOMOTIVE

Features

- ◇ Fast suction and blow-off
- ◇ Main body is made of plastic
- ◇ Suitable mounting bracket
- ◇ With built-in silencer

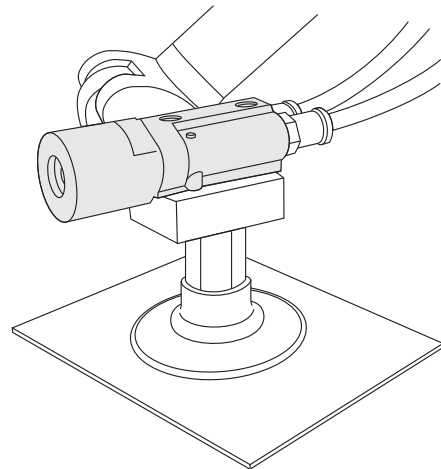
Advantages

- ◇ Short action cycle
- ◇ Small size, light weight, especially suitable for high speed working
- ◇ Could be fixed with suction cup and connector directly
- ◇ Reduce noise greatly



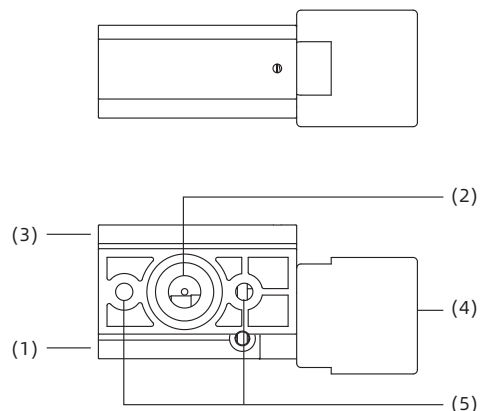
Applications

- ◇ Suitable for occasions where need blow-off function and short working cycle, such as metal sheet processing, automotive industry, packaging machine and industrial robot



Structure

- ◇ (1) Air supply port
- ◇ (2) Vacuum port
- ◇ (3) Release port
- ◇ (4) Silencer
- ◇ (5) Mounting hole



Vacuum Generator

AZK

AZQ

AZX

AZD

AGS

AGB

AGP

AGX

AGE

ABM/ABX

ABM/ABX Combined Type

AMC

AM/AL/AH

AM/AL Combined Type

AMD

AZW

AZR

ABT

ABP

ABQ

AEVC

AZL

ALH

AZH

AZU

ACV

ASBP

ALS

ACP

ACPF

ACPS

APB

How to order

AEVC 10 - S - G2F

① ② ③ ④

① Series	② Nozzle diameter	③ Mounting type	④ Mounting thread
AEVC	10 - ϕ 1.0mm	Nil - Without mounting block S - Vertical mounting block L - Lateral mounting block B - Oval vertical mounting block	Nil - Without thread G1F - G1/8 female thread G2F - G1/4 female thread

Selection

Model/Mounting type Nil - Without mounting block	S - Vertical mounting block	L - Lateral mounting block	B - Oval vertical mounting block
AEVC10	AEVC10-S-G2F	AEVC10-L-G2F	AEVC10-B-G1F AEVC10-B-G2F

Technical parameters

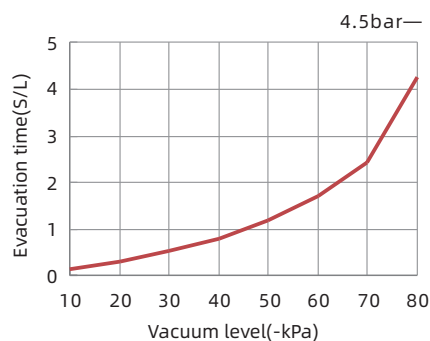
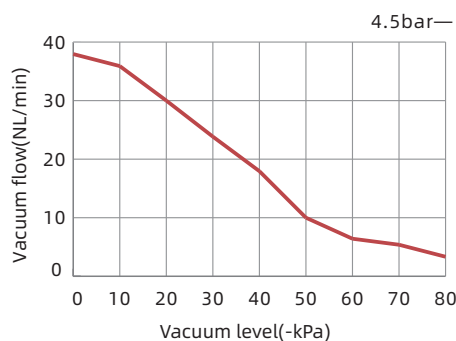
Model	Rated air supply pressure bar	Max. vacuum level -kPa	Max.vacuum flow NL/min	Air consumption NL/min	Noise level dB(A)	Weight g
AEVC10	4.5	85	35	48.5	73.5	64

Vacuum flow(NL/min) at different vacuum levels(-kPa)

Model	Air supply pressure bar	Air consumption NL/min	0	10	20	30	40	50	60	70	80	Max. vacuum level -kPa
AEVC10	4.5	48.5	35.0	32.0	30.0	24.0	18.0	10.0	6.5	5.5	3.3	85

Evacuation time(s/L) to reach different vacuum levels(-kPa)

Model	Air supply pressure bar	Air consumption NL/min	10	20	30	40	50	60	70	80	Max. vacuum level -kPa
AEVC10	4.5	48.5	0.14	0.30	0.54	0.81	1.19	1.70	2.42	4.27	85

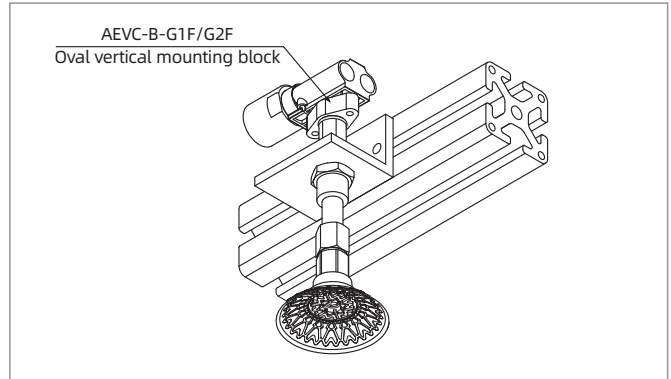
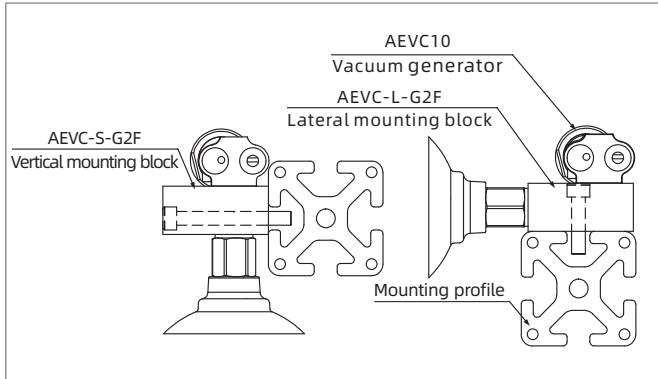


AEVC Series

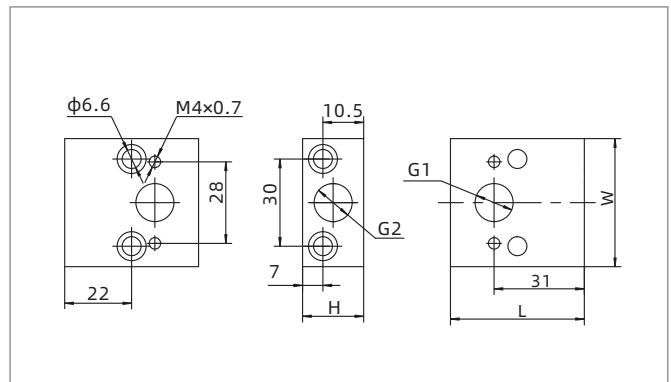
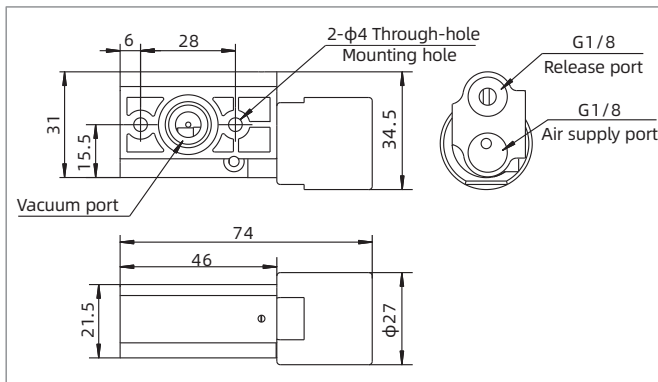
Vacuum Generator with Fast Blow-off



Installation instruction

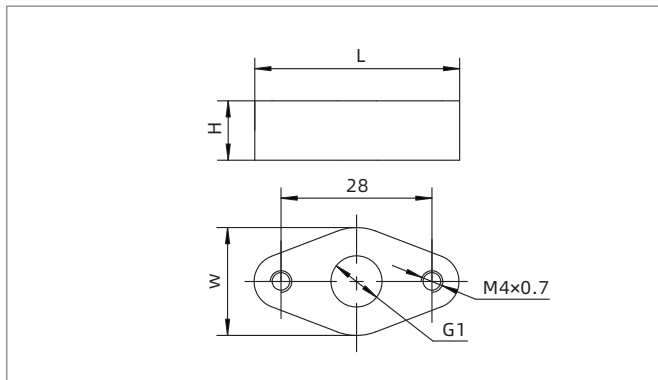


Dimensions(mm)



AEVC10

AEVC-S-G2F AEVC-L-G2F



AEVC-B-G1F AEVC-B-G2F

Model/Size	L	W	H	G1	G2
AEVC-L-G2F	46	44	21	G1/4	-
AEVC-S-G2F	46	44	21	-	G1/4
AEVC-B-G1F	38	20	11	G1/8	-
AEVC-B-G2F	38	20	11	G1/4	-

Accessory Selection

Item	Model
S type Vertical mounting block-G1/4	AEVC-S-G2F
L type Vertical mounting block-G1/4	AEVC-L-G2F

Item	Model
B type Oval vertical mounting block-G1/8	AEVC-B-G1F
B type Oval vertical mounting block-G1/4	AEVC-B-G2F

Vacuum Generator

AZK

AZQ

AZX

AZD

AGS

AGB

AGP

AGX

AGE

ABM/ABX

ABM/ABX Combined Type

AMC

AM/AL/AH

AM/AL Combined Type

AMD

AZW

AZR

ABT

ABP

ABQ

AEVC

AZL

ALH

AZH

AZU

ACV

ASBP

ALS

ACP

ACPF

ACPS

APB

AZL Series

Multistage Vacuum Generator

AIRBEST



Features

- ◇ Multi-level and energy-efficient design
- ◇ Optional solenoid valve and pressure switch
- ◇ Built-in vacuum filter and silencer
- ◇ Vertical and lateral mounting holes for option

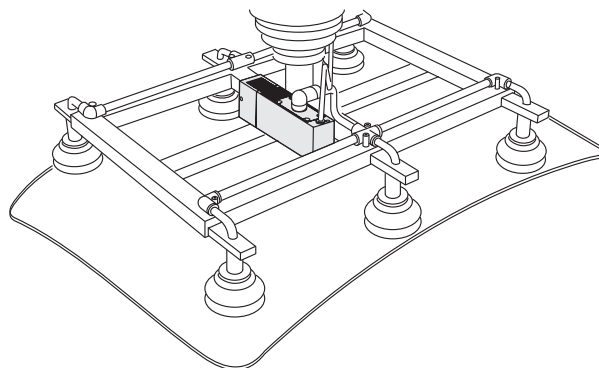
Advantages

- ◇ Vacuum flow can be increased, save air consumption and shorten working cycle
- ◇ Control function is optional, no need of separate external connection to save space and reduce cost
- ◇ Minimize noise, the filter element is replaceable
- ◇ A variety of installation ways are available



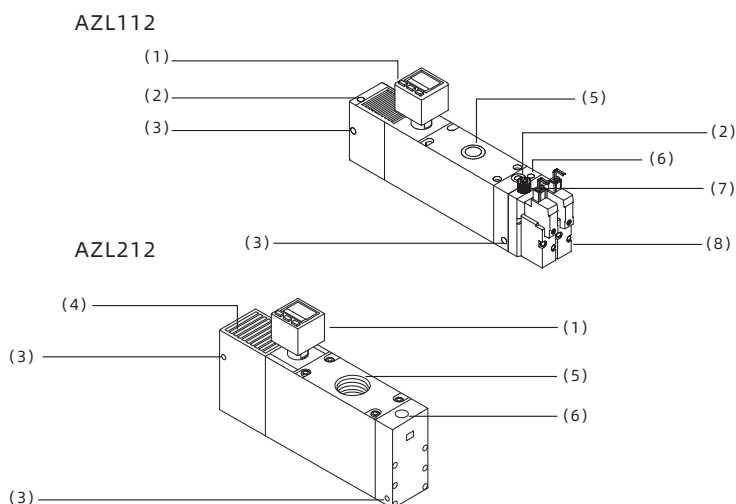
Applications

- ◇ Suitable for handling of cartons, metal sheet and plastics
- ◇ Suitable for occasions which require large vacuum flow, fast evacuation and low air consumption



Structure

- ◇ (1) Pressure switch
- ◇ (2) Vertical mounting hole
- ◇ (3) Lateral mounting hole
- ◇ (4) Exhaust port
- ◇ (5) Vacuum port
- ◇ (6) Air supply port
- ◇ (7) Vacuum release valve
- ◇ (8) Vacuum supply valve



AZL Series

Multistage Vacuum Generator

How to order

AZL 112 - A - DCN

① ② ③ ④

① Series	② Nozzle diameter	③ Control valve	④ Digital vacuum pressure switch
AZL	112 - 1×φ1.2mm 212 - 2×φ1.2mm	Nil - Without vacuum supply valve and vacuum release valve A - With vacuum supply valve and vacuum release valve	Nil - Default, without external vacuum port NP - With vacuum port Rc1/8, without pressure switch DCN - Compound pressure switch (-100.0~100.0kPa), 2NPN+V(1-5V) DCP - Compound pressure switch (-100.0~100.0kPa), 2PNP+V(1-5V)

Selection-AZL112 Series

Model/Control valve Nil- Without control valve	A - With vacuum supply valve +vacuum release valve
AZL112	AZL112-A
AZL112-NP	AZL112-A-NP
AZL112-DCN	AZL112-A-DCN
AZL112-DCP	AZL112-A-DCP

Selection-AZL212 Series

Model/Control valve Nil- Without control valve	A - With vacuum supply valve +vacuum release valve
AZL212	-
AZL212-NP	-
AZL212-DCN	-
AZL212-DCP	-

Technical parameters

Model	Rated air supply pressure bar	Max. vacuum level -kPa	Max. vacuum flow NL/min	Air consumption NL/min	Noise level dB(A)	Working temperature °C	Recommended hose dia.(mm)	
							Air supply port (P)	Vacuum port (V)
AZL112	4.0	84	100	63	70	5~50	φ6	φ12
AZL212	4.0	84	200	126	77	5~50	φ8	φ12

◇ Note: Max.operating pressure 7bar, recommended air supply pressure range 2-5bar. Noise level is measured by the vacuum generator with built-in silencer.

Vacuum flow(NL/min) at different vacuum levels(-kPa)

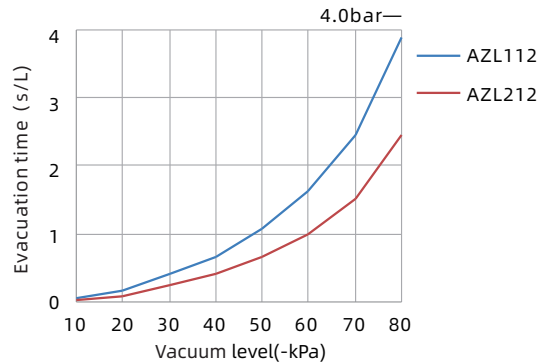
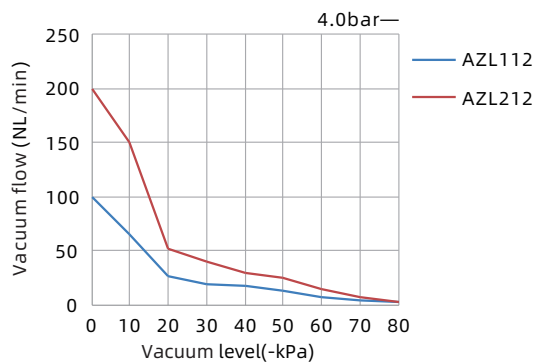
Model	Air supply pressure bar	Air consumption NL/min	Vacuum level (-kPa)										Max. vacuum level -kPa
			0	10	20	30	40	50	60	70	80		
AZL112	4.0	63	100.0	65.0	26.0	20.0	18.5	13.0	8.0	5.0	2.8	84	
AZL212	4.0	126	200.0	150.0	52.0	40.0	30.0	25.0	15.0	8.0	3.0	84	

Evacuation time(s/L) to reach different vacuum levels(-kPa)

Model	Air supply pressure bar	Air consumption NL/min	Vacuum level (-kPa)										Max. vacuum level -kPa
			10	20	30	40	50	60	70	80			
AZL112	4.0	63	0.05	0.17	0.40	0.67	1.07	1.63	2.46	3.9	84		
AZL212	4.0	126	0.02	0.08	0.25	0.42	0.65	0.98	1.52	2.46	84		

AZL Series

Multistage Vacuum Generator

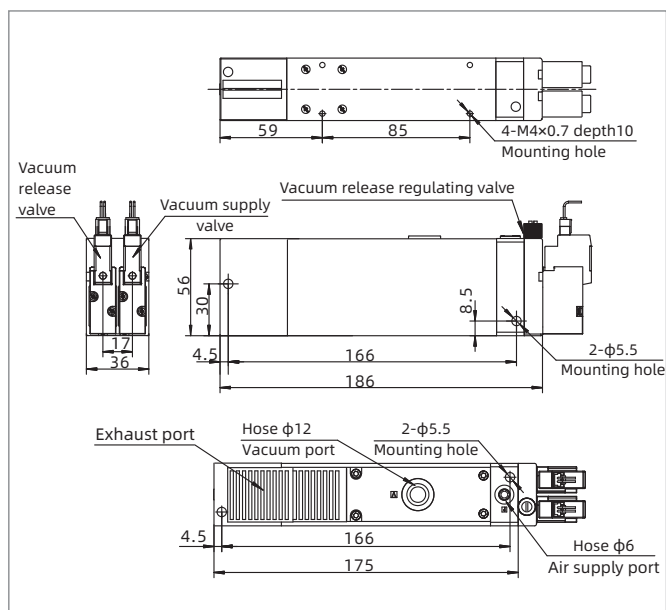


Technical parameters- Control valve

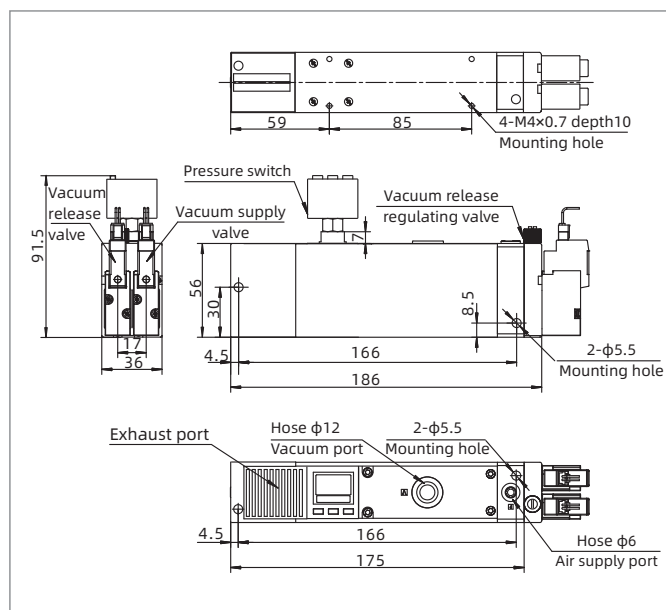
Type of valve actuation	Internal pilot type NC (normally closed)
Operating pressure range	2.0~5.0bar
Rated voltage	24V
Ambient and fluid temperature	5~50°C
Response time(at 0.5Mpa)	25ms below
Max. operating frequency	5Hz
Manual operation	Slotted locking type

Pilot exhaust type	Individual exhaust,concentrated exhaust
Lubrication	Not required
Mounting position	Unrestricted
Impact/Vibration resistance	150/30m/s ²
Enclosure	Dust-proof
Lead wire type	Direct lead out type, lead wire length 0.3m

Dimensions(mm)



AZL112-A

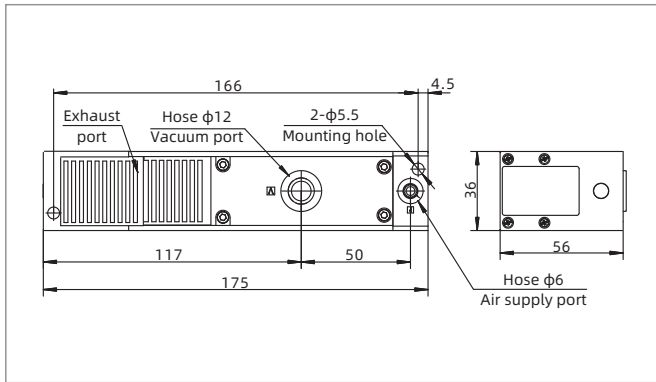


AZL112-A-DCN AZL112-A-DCP

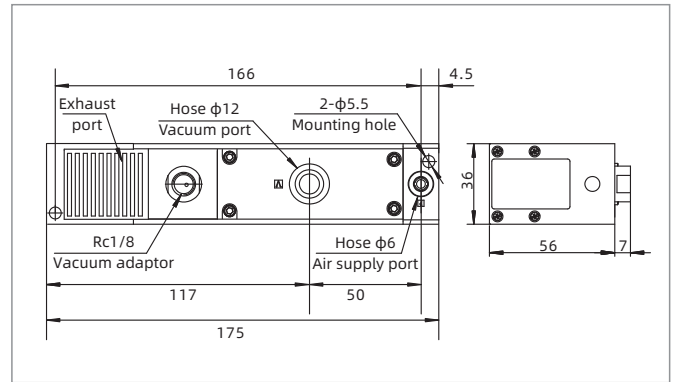
AZL Series

Multistage Vacuum Generator

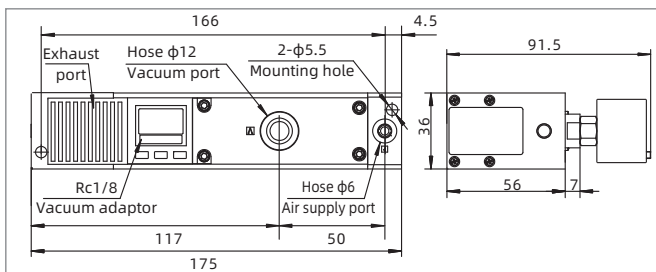
Dimensions(mm)



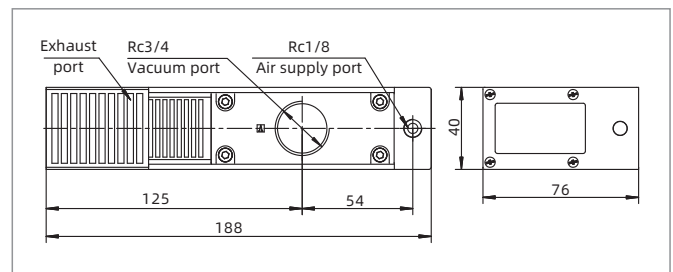
AZL112



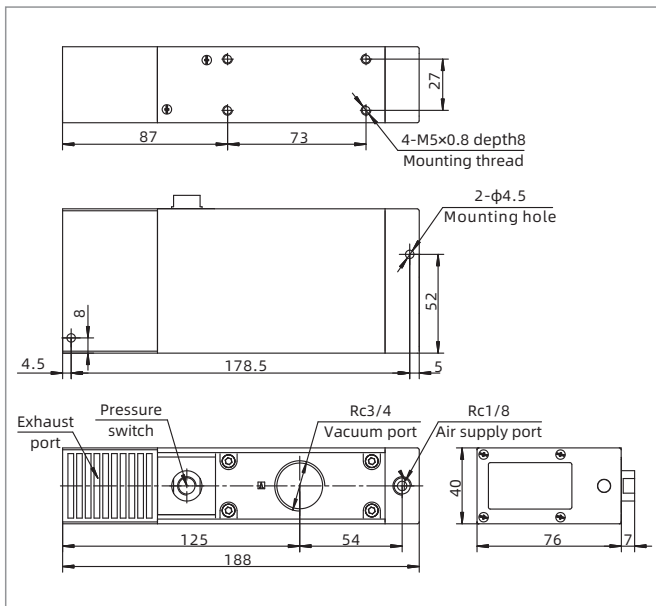
AZL112-NP



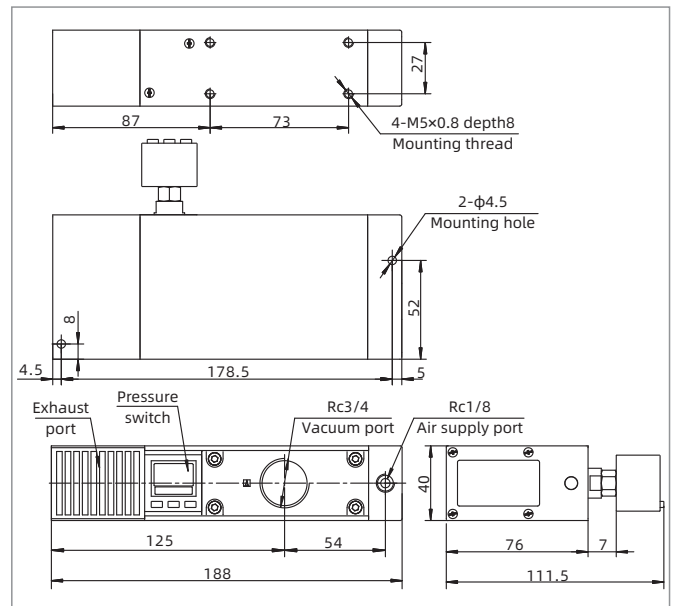
AZL112-DCN AZL112-DCP



AZL212



AZL212-NP



AZL212-DCN AZL212-DCP

Vacuum Generator

AZK

AZQ

AZX

AZD

AGS

AGB

AGP

AGX

AGE

ABM/ABX

ABM/ABX
Combined Type

AMC

AM/AL/AH

AM/AL
Combined Type

AMD

AZW

AZR

ABT

ABP

ABQ

AEVC

AZL

ALH

AZH

AZU

ACV

ASBP

ALS

ACP

ACPF

ACPS

APB

ALH Series

Mini Vacuum Generator



UNIVERSAL

Features

- ◇ Small size, light weight.
- ◇ Standard quick connector, connection, fast and convenient

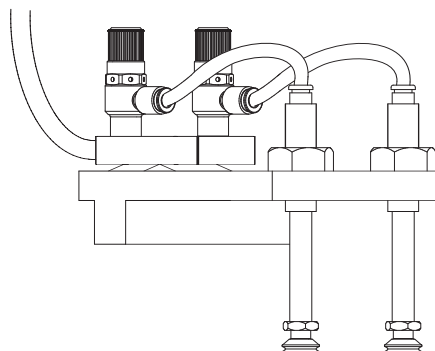
Advantage

- ◇ Standard quick connector, connection, fast and convenient
- ◇ Centralized exhaust option available
- ◇ Low noise level



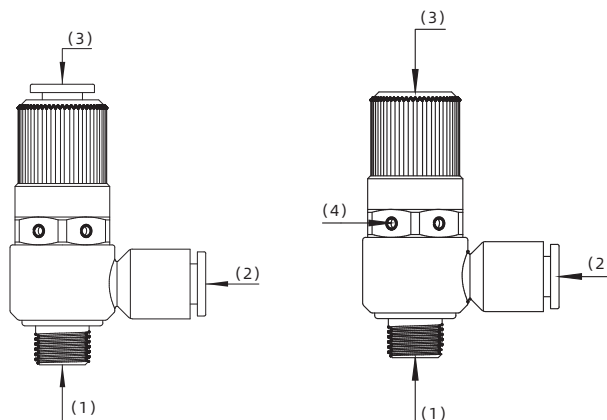
Application

- ◇ Suitable for handling electronic components and other small workpieces



Structure

- ◇ (1) Air supply port
- ◇ (2) Vacuum port
- ◇ (3) Exhaust port
- ◇ (4) Exhaust port



ALH Series

Mini Vacuum Generator

How to order

ALH 07 E - A6 - J
 ① ② ③ ④ ⑤

① Series	② Nozzle diameter	③ Specification	④ Vacuum port specifications	⑤ Exhaust
ALH	07 - Nozzle diameter 0.7mm	E - Low air supply pressure type	A6 - $\phi 6$ quick connector	Nil - Default direct exhaust J - Centralized exhaust

Technical parameters

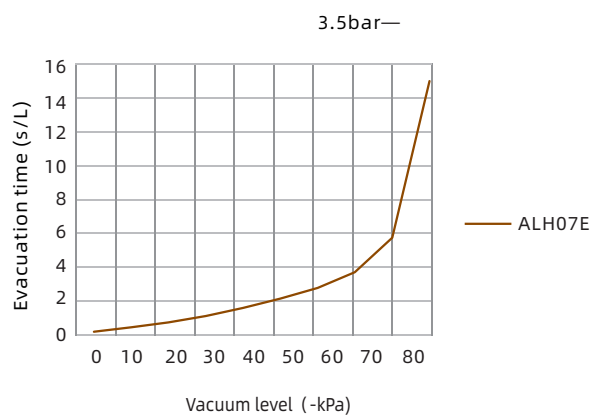
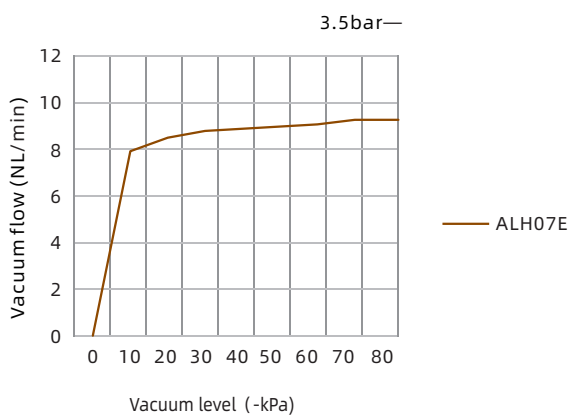
Model	Rated air supply pressure bar	Air supply pressure range bar	Max. vacuum level -kPa	Max. vacuum flow NL/min	Air consumption NL/min	Noise level dB(A)	Weight g
ALH07E-A6	3.5	3.0~6.0	90	9.5	20	70	37
ALH07E-A6-J	3.5	3.0~6.0	90	9.5	20	-	40

Vacuum flow(NL/min) at different vacuum levels(-kPa)

Model	0	10	20	30	40	50	60	70	80	Max. vacuum level -kPa
ALH07E	0	8.3	8.9	9.2	9.3	9.4	9.5	9.7	9.7	90

Evacuation time(s/L) to reach different vacuum levels(-kPa)

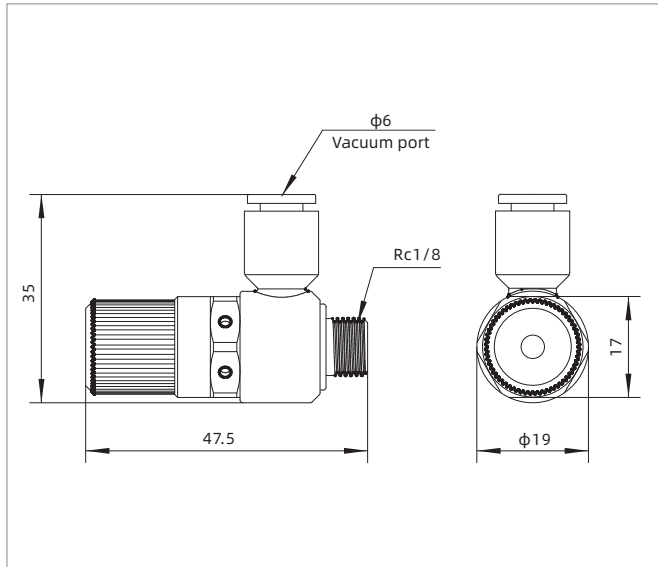
Model	0	10	20	30	40	50	60	70	80	Max. vacuum level -kPa
ALH07E	0	0.7	1.5	2.5	3.8	5.3	7	9.5	15	90



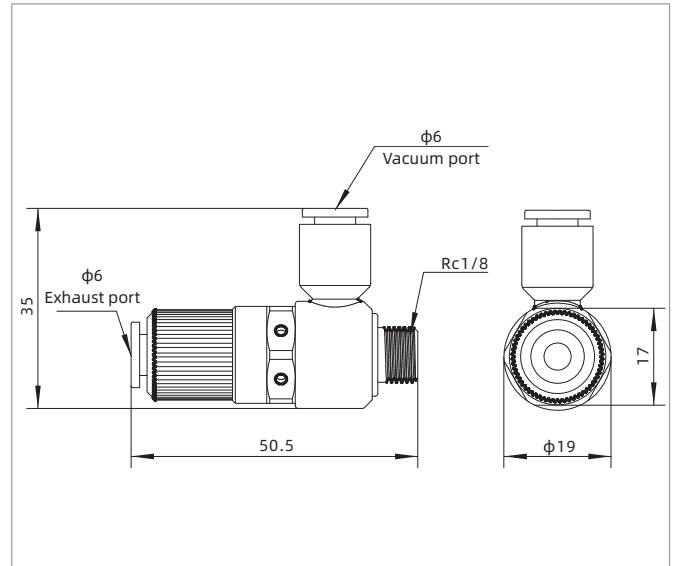
ALH Series

Mini Vacuum Generator

Dimensions (mm)



ALH07E-A6



ALH07E-A6-J

AZH Series

Basic Vacuum Generator

AIRBEST



UNIVERSAL



Features

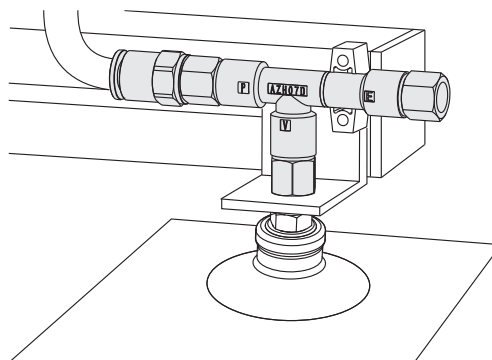
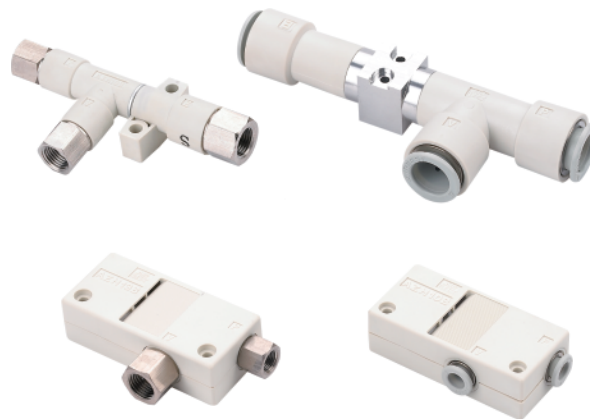
- ◇ Single stage vacuum generator with plastic housing
- ◇ High vacuum level type and large vacuum flow type for option
- ◇ Body ported type and box type for option
- ◇ Thread connection or one-touch fitting for port connection

Advantages

- ◇ Small size, light weight and cost-effective
- ◇ Suitable for various occasions
- ◇ Box type with built-in silencer to reduce noise
- ◇ Thread connection and one-touch fitting for option

Applications

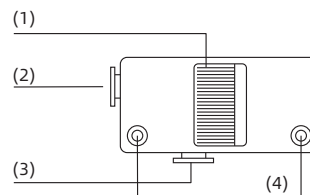
- ◇ Widely used in all kinds of vacuum systems
- ◇ Suitable for various handling operations such as automotive, metal sheet, wood, food and packaging, etc.
- ◇ High vacuum type and large flow type for different occasions



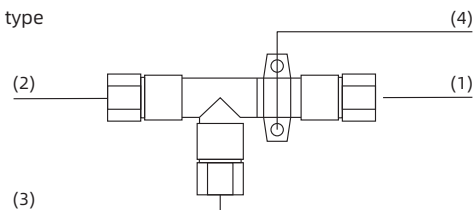
Structure

- ◇ (1) Exhaust port
- ◇ (2) Air supply port
- ◇ (3) Vacuum port
- ◇ (4) Mounting hole

B - Box type



D - Body ported type



Vacuum Generator

AZK

AZQ

AZX

AZD

AGS

AGB

AGP

AGX

AGE

ABM/ABX

ABM/ABX
Combined Type

AMC

AM/AL/AH

AM/AL
Combined Type

AMD

AZW

AZR

ABT

ABP

ABQ

AEVC

AZL

ALH

AZH

AZU

ACV

ASBP

ALS

ACP

ACPF

ACPS

APB

AZH Series

Basic Vacuum Generator



How to order

AZH 07 B S - 06 - 06
AZH 07 D S - 01 - 01 - 01
 ① ② ③ ④ ⑤ ⑥ ⑦

① Series	② Nozzle diameter	③ Shape	④ Specification	⑤ Air supply port	⑥ Vacuum port	⑦ Exhaust port
AZH	05 - φ0.5mm	B - Box type	S - High vacuum level type (-88kPa)	06 - φ6 One-touch fitting	06 - φ6 One-touch fitting	06 - φ6 One-touch fitting
	07 - φ0.7mm	D - Body ported type	L - Large vacuum flow type (-48kPa)	08 - φ8 One-touch fitting	10 - φ10 One-touch fitting	08 - φ8 One-touch fitting
	10 - φ1.0mm			10 - φ10 One-touch fitting	12 - φ12 One-touch fitting	10 - φ10 One-touch fitting
	13 - φ1.3mm			12 - φ12 One-touch fitting	16 - φ16 One-touch fitting	12 - φ12 One-touch fitting
	15 - φ1.5mm			01 - Rc1/8 Female thread	01 - Rc1/8 Female thread	16 - φ16 One-touch fitting
	18 - φ1.8mm			02 - Rc1/4 Female thread	02 - Rc1/4 Female thread	01 - Rc1/8 Female thread
	20 - φ2.0mm			03 - Rc3/8 Female thread	03 - Rc3/8 Female thread	02 - Rc1/4 Female thread
					04 - Rc1/2 Female thread	03 - Rc3/8 Female thread
						04 - Rc1/2 Female thread

Selection-Box type

Model/Shape BS		BL	
AZH05BS-06-06	AZH05BS-01-01	AZH05BL-06-06	AZH05BL-01-01
AZH07BS-06-06	AZH07BS-01-01	AZH07BL-06-06	AZH07BL-01-01
AZH10BS-06-06	AZH10BS-01-01	AZH10BL-06-06	AZH10BL-01-01
AZH13BS-08-10	AZH13BS-01-02	AZH13BL-08-10	AZH13BL-01-02

Selection-Body ported type

Model/Shape DS		DL	
AZH05DS-06-06-06	AZH05DS-01-01-01	AZH05DL-06-06-06	AZH05DL-01-01-01
AZH07DS-06-06-06	AZH07DS-01-01-01	AZH07DL-06-06-06	AZH07DL-01-01-01
AZH10DS-06-06-08	AZH10DS-01-01-01	AZH10DL-06-06-08	AZH10DL-01-01-01
AZH13DS-08-10-10	AZH13DS-01-02-02	AZH13DL-08-10-10	AZH13DL-01-02-02
AZH15DS-10-12-12	AZH15DS-02-03-03	AZH15DL-10-12-12	AZH15DL-02-03-03
AZH18DS-12-12-12	AZH18DS-03-03-03	AZH18DL-12-12-12	AZH18DL-03-03-03
AZH20DS-12-16-16	AZH20DS-03-04-04	AZH20DL-12-16-16	AZH20DL-03-04-04

Technical parameters

Model	Rated air supply pressure bar	Max. vacuum level -kPa		Max. vacuum flow NL/min		Air consumption NL/min	Noise level dB(A)	Working temperature °C	Weight g	Recommended hose dia.(mm)		
		S	L	S	L					Air supply port S	Vacuum port V	Exhaust port E
AZH05B	4.5	88	48	5	9	13.5	68	5~50	28	φ6	φ6	-
AZH07B	4.5	88	48	12	22	23.5	68	5~50	28	φ6	φ6	-
AZH10B	4.5	88	48	24	34	46.0	72	5~50	33	φ6	φ6	-
AZH13B	4.5	88	48	40	75	78.0	72	5~50	66	φ8	φ10	-

Technical parameters

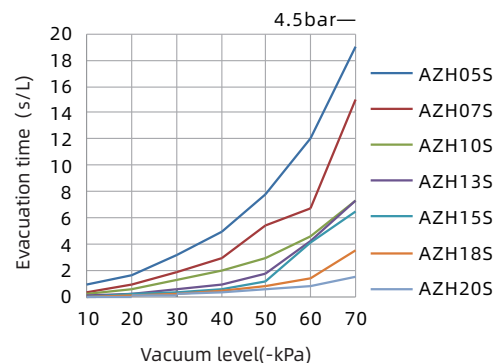
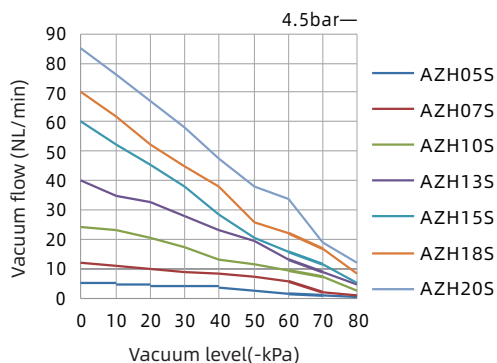
Model	Rated air supply pressure bar	Max. vacuum level -kPa		Max. vacuum flow NL/min		Air consumption NL/min	Noise level dB(A)	Working temperature °C	Weight g	Recommended hose dia.(mm)		
		S	L	S	L					Air supply port S	Vacuum port V	Exhaust port E
AZH05D	4.5	88	48	7.5	9	13.5	75	5~50	11	φ6	φ6	φ6
AZH07D	4.5	88	48	12	22	23.5	75	5~50	12	φ6	φ6	φ6
AZH10D	4.5	88	48	24	34	46.0	68	5~50	16	φ6	φ6	φ8
AZH13D	4.5	88	48	40	75	78.0	68	5~50	27	φ8	φ10	φ10
AZH15D	4.5	88	53	60	80	97.0	72	5~50	43	φ10	φ12	φ12
AZH18D	4.5	88	53	70	110	150.0	72	5~50	55	φ12	φ12	φ12
AZH20D	4.5	88	53	85	140	185.0	75	5~50	95	φ12	φ16	φ16

Vacuum flow(NL/min) at different vacuum levels(-kPa)

Model	Air supply pressure bar	Air consumption NL/min	Vacuum level (-kPa)										Max. vacuum level -kPa
			0	10	20	30	40	50	60	70	80		
AZH05S	4.5	13.5	5.0	4.5	4.1	3.8	3.3	2.3	1.6	0.9	0.3	88	
AZH07S	4.5	23.5	12.0	11.0	10.0	9.0	8.0	7.0	5.5	2.1	0.8	88	
AZH10S	4.5	46.0	24.0	23.0	20.5	17.5	13.0	11.5	9.5	7.0	2.5	88	
AZH13S	4.5	78.0	40.0	35.0	32.5	28.0	23.0	19.5	13.0	9.0	4.5	88	
AZH15S	4.5	97.0	60.0	52.5	45.5	38.0	28.5	20.5	15.5	11.5	5.0	88	
AZH18S	4.5	150.0	70.0	62.0	52.0	45.0	38.0	26.0	22.0	16.5	8.5	88	
AZH20S	4.5	185.0	85.0	76.0	67.0	58.0	47.5	38.0	33.5	19.0	12.0	88	

Evacuation time(s/L) to reach different vacuum levels(-kPa)

Model	Air supply pressure bar	Air consumption NL/min	Vacuum level (-kPa)								Max. vacuum level -kPa
			10	20	30	40	50	60	70		
AZH05S	4.5	13.5	0.89	1.70	3.20	5.00	7.80	12.00	19.00	88	
AZH07S	4.5	23.5	0.37	1.00	1.90	3.00	5.40	6.70	15.00	88	
AZH10S	4.5	46.0	0.25	0.60	1.25	2.00	2.90	4.60	7.30	88	
AZH13S	4.5	78.0	0.10	0.27	0.53	1.00	1.75	4.20	7.30	88	
AZH15S	4.5	97.0	0.04	0.21	0.35	0.63	1.23	4.10	6.50	88	
AZH18S	4.5	150.0	0.02	0.15	0.29	0.46	0.78	1.38	3.51	88	
AZH20S	4.5	185.0	0.02	0.12	0.21	0.34	0.55	0.85	1.58	88	



AZH Series

Basic Vacuum Generator

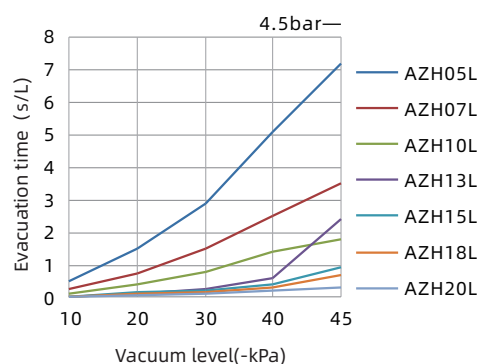
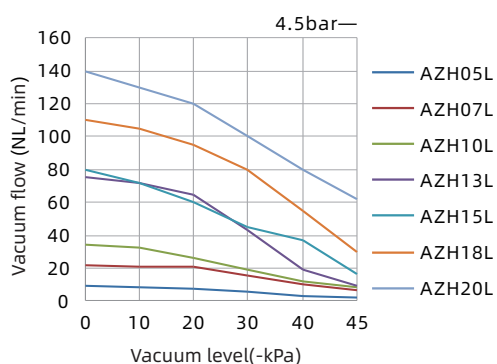
Vacuum flow(NL/min) at different vacuum levels(-kPa)

Model	Air supply pressure bar	Air consumption NL/min	0	10	20	30	40	45	Max. vacuum level -kPa
AZH05L	4.5	13.5	9.0	8.0	7.0	6.0	3.0	1.9	48
AZH07L	4.5	23.5	22.0	21.0	20.5	15.5	10.5	6.8	48
AZH10L	4.5	46.0	34.0	32.0	26.0	19.0	12.0	8.0	48
AZH13L	4.5	78.0	75.0	72.0	65.0	43.0	19.0	9.0	48
AZH15L	4.5	97.0	80.0	72.0	60.0	45.0	36.5	16.0	53
AZH18L	4.5	150.0	110.0	105.0	95.0	80.0	55.0	30.0	53
AZH20L	4.5	185.0	140.0	130.0	120.0	100.0	80.0	62.0	53

Evacuation time(s/L) to reach different vacuum levels(-kPa)

Model	Air supply pressure bar	Air consumption NL/min	10	20	30	40	45	Max. vacuum level -kPa
AZH05L	4.5	13.5	0.49	1.50	2.90	5.10	7.20	48
AZH07L	4.5	23.5	0.28	0.75	1.50	2.50	3.50	48
AZH10L	4.5	46.0	0.14	0.40	0.81	1.40	1.80	48
AZH13L	4.5	78.0	0.04	0.12	0.24	0.62	2.40	48
AZH15L	4.5	97.0	0.03	0.15	0.23	0.40	0.92	53
AZH18L	4.5	150.0	0.02	0.10	0.18	0.32	0.67	53
AZH20L	4.5	185.0	0.01	0.08	0.14	0.20	0.30	53

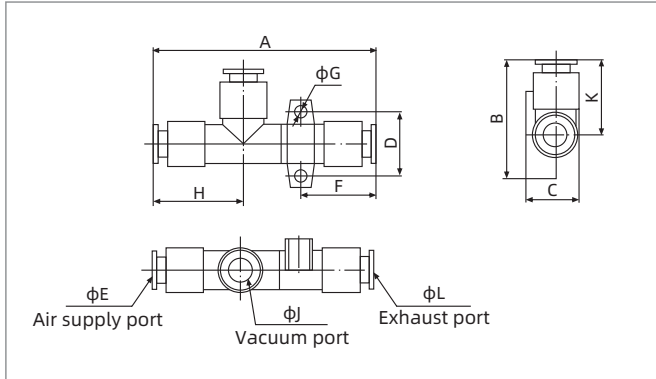
Technical parameters



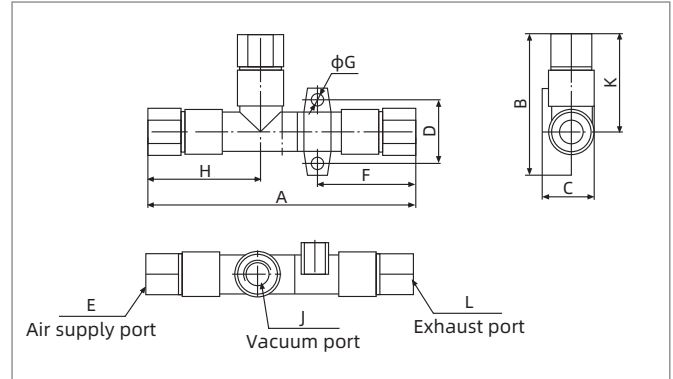
AZH Series

Basic Vacuum Generator

Dimensions(mm)



AZH - D Body ported type(One-touch fitting)



AZH - D Body ported type(Female thread connection)

Model/Size	A	B	C	D	E	F	G	H	L	K	J
AZH05DS-06-06-06	58.5	34.0	14.2	17.0	6	21.0	3.2	24.0	6	22.0	6
AZH07DS-06-06-06	61.0	34.0	14.2	17.0	6	22.0	3.2	24.0	6	22.0	6
AZH10DS-06-06-08	66.0	37.0	17.2	20.0	6	24.5	4.2	26.0	8	23.0	6
AZH10DL-06-06-08	70.0	37.0	17.2	20.0	6	24.5	4.2	26.0	8	23.0	6
AZH13DS-08-10-10	74.0	42.5	20.0	22.0	8	27.0	4.2	28.0	10	27.5	10
AZH13DL-08-10-10	79.5	42.5	20.0	22.0	8	27.0	4.2	28.0	10	27.5	10
AZH15DS-10-12-12	93.3	47.0	22.5	27.0	10	32.8	4.2	31.5	12	29.5	12
AZH18DS-12-12-12	114.0	41.0	21.0	10.0	12	50.0	3.5	35.5	12	30.5	12
AZH20DS-12-16-16	124.6	46.0	27.0	12.0	12	54.3	3.5	38.5	16	32.7	16

AZH - D Body ported type(One-touch fitting)

Model/Size	A	B	C	D	E	F	G	H	L	K	J
AZH05DS-01-01-01	73.5	41.5	14.2	17.0	Rc1/8	28.5	3.2	31.5	Rc1/8	29.5	Rc1/8
AZH07DS-01-01-01	76.0	41.5	14.2	17.0	Rc1/8	29.5	3.2	31.5	Rc1/8	29.5	Rc1/8
AZH10DS-01-01-01	82.0	44.5	17.2	20.0	Rc1/8	33.0	4.2	33.5	Rc1/8	30.5	Rc1/8
AZH10DL-01-01-01	86.0	44.5	17.2	20.0	Rc1/8	33.0	4.2	33.5	Rc1/8	30.5	Rc1/8
AZH13DS-01-02-02	94.5	54.0	20.0	22.0	Rc1/8	38.5	4.2	36.5	Rc1/4	39.0	Rc1/4
AZH13DL-01-02-02	99.5	54.0	20.0	22.0	Rc1/8	38.5	4.2	36.5	Rc1/4	39.0	Rc1/4
AZH15DS-02-03-03	116.5	58.5	22.5	27.0	Rc1/4	44.5	4.2	43.0	Rc3/8	41.0	Rc3/8
AZH18DS-03-03-03	133.0	52.5	21.0	10.0	Rc3/8	57.5	3.5	47.0	Rc3/8	42.0	Rc3/8
AZH20DS-03-04-04	151.0	61.0	27.0	12.0	Rc3/8	69.3	3.5	50.0	Rc1/2	47.7	Rc1/2

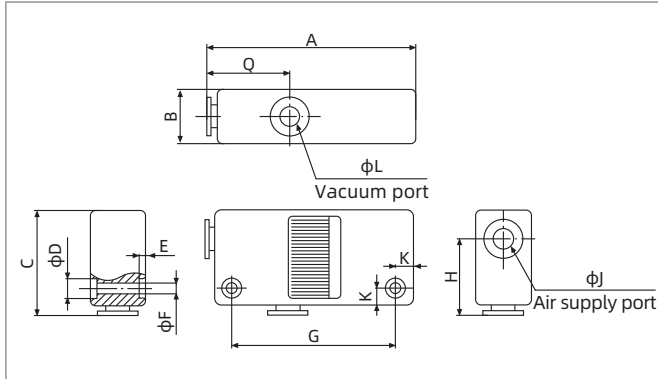
AZH - D Body ported type(Female thread connection)

AZH Series

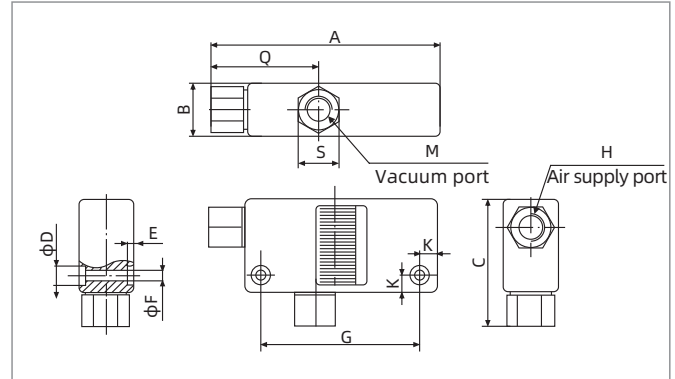
Basic Vacuum Generator



Dimensions(mm)



AZH - B Box type(One-touch fitting)



AZH - B Box type(Female thread connection)

Model/Size	A	B	C	D	E	F	G	H	Q	L	K	J
AZH05B-06-06	60	16	31	5.8	2	3.2	47	22	24	6	5	6
AZH07B-06-06	60	16	31	5.8	2	3.2	47	22	24	6	5	6
AZH10B-06-06	63	18	32	5.8	2	3.2	50	23	26	6	5	6
AZH13B-08-10	78	23	38.5	7.5	3	4.2	61	27.5	28	10	7	8

AZH - B Box type(One-touch fitting)

Model/Size	A	B	C	D	E	F	G	H	Q	M	K	S
AZH05B-01-01	68	16	39	5.8	2	3.2	47	Rc1/8	31.5	Rc1/8	5	12
AZH07B-01-01	68	16	39	5.8	2	3.2	47	Rc1/8	31.5	Rc1/8	5	12
AZH10B-01-01	71	18	40	5.8	2	3.2	50	Rc1/8	33.5	Rc1/8	5	12
AZH13B-01-02	86.5	23	50	7.5	3	4.2	61	Rc1/8	36.5	Rc1/4	7	14

AZH - B Box type(Female thread connection)

AZU Series

Basic Vacuum Generator



ELECTRONICS

Features

- ◇ Axial connection
- ◇ Plastic housing
- ◇ High vacuum type and large flow type for option

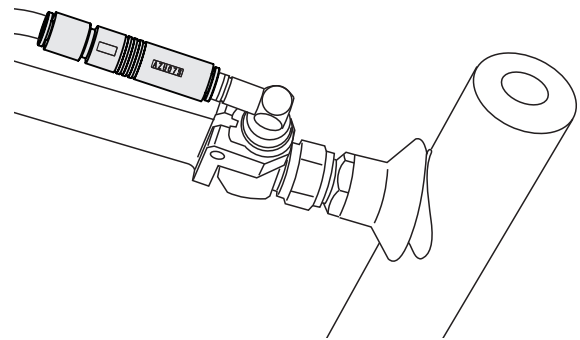
Advantages

- ◇ Installing directly to hose
- ◇ Suitable for small space
- ◇ Easy installation, no additional installation accessories are required



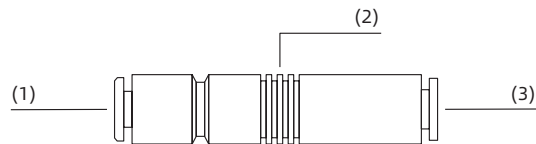
Applications

- ◇ Linear type to install to PU hose directly
- ◇ Suitable for handling system of limited space
- ◇ Handling of electronic components



Structure

- ◇ (1) Air supply port
- ◇ (2) Exhaust port
- ◇ (3) Vacuum port



Vacuum Generator

AZK

AZQ

AZX

AZD

AGS

AGB

AGP

AGX

AGE

ABM/ABX

ABM/ABX
Combined Type

AMC

AM/AL/AH

AM/AL
Combined Type

AMD

AZW

AZR

ABT

ABP

ABQ

AEVC

AZL

ALH

AZH

AZU

ACV

ASBP

ALS

ACP

ACPF

ACPS

APB

AZU Series

Basic Vacuum Generator

How to order

AZU 05 S

① ② ③

① Series	② Nozzle diameter	③ Specification
AZU	05 - ϕ 0.5mm 07 - ϕ 0.7mm	S - High vacuum level type (-85kPa) L - Large vacuum flow type (-48kPa)

Selection

Model/Nozzle diameter	05	07
AZU□S	AZU05S	AZU07S
AZU□L	AZU05L	AZU07L

Technical parameters

Model	Nozzle diameter mm	Rated air supply pressure bar	Max. vacuum level -kPa	Max. vacuum flow NL/min	Air consumption NL/min	Noise level dB(A)	Working temperature °C	Weight g	Recommended hose dia.(mm) Air supply port P	Vacuum port V
AZU05S	0.5	4.5	85	7	9	68	5~60	6.5	ϕ 6	ϕ 6
AZU07S	0.7	4.5	85	12	19	68	5~60	7.0	ϕ 6	ϕ 6
AZU05L	0.5	4.5	48	12	9	70	5~60	6.5	ϕ 6	ϕ 6
AZU07L	0.7	4.5	48	21	19	70	5~60	7.0	ϕ 6	ϕ 6

◇ Note: Max. operating pressure 7bar, standard operating pressure 4.5bar

Vacuum flow(NL/min) at different vacuum levels(-kPa)

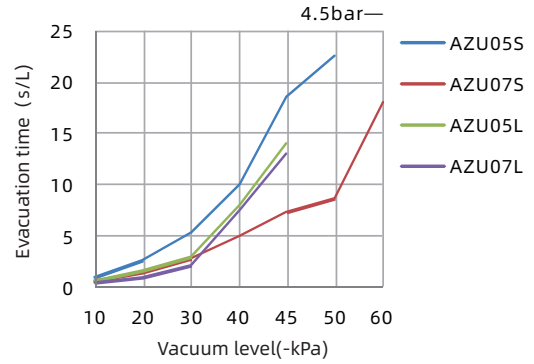
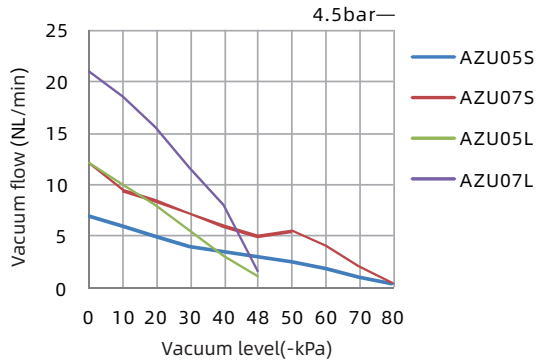
Model	Air supply pressure bar	Air consumption NL/min	0	10	20	30	40	48	50	60	70	80	Max. vacuum level -kPa
AZU05S	4.5	9	7.0	6.0	5.0	4.0	3.5	-	2.5	1.8	1.0	0.4	85
AZU07S	4.5	19	12.0	9.5	8.5	7.2	6.0	-	5.5	4.0	2.0	0.4	85
AZU05L	4.5	9	12.0	10.0	8.0	5.5	3.0	1.0	-	-	-	-	48
AZU07L	4.5	19	21.0	18.5	15.5	11.5	8.0	1.5	-	-	-	-	48

Evacuation time(s/L) to reach different vacuum levels(-kPa)

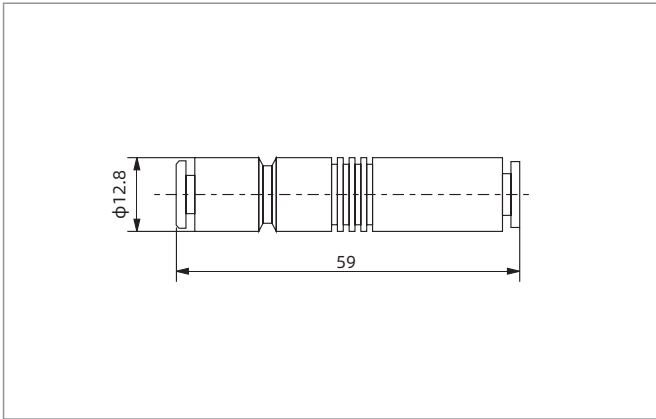
Model	Air supply pressure bar	Air consumption NL/min	10	20	30	40	45	50	60	Max. vacuum level -kPa
AZU05S	4.5	9	0.90	2.6	5.2	10.0	-	22.5	-	85
AZU07S	4.5	19	0.53	1.4	2.7	5.0	-	8.7	18	85
AZU05L	4.5	9	0.60	1.5	2.9	8.0	14.0	-	-	48
AZU07L	4.5	19	0.34	0.9	2.0	7.5	13.0	-	-	48

AZU Series

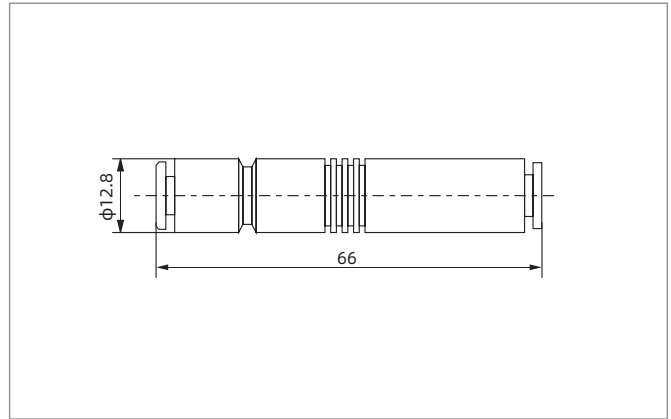
Basic Vacuum Generator



Dimensions(mm)



AZU05



AZU07

AZK

AZQ

AZX

AZD

AGS

AGB

AGP

AGX

AGE

ABM/ABX

ABM/ABX
Combined Type

AMC

AM/AL/AH

AM/AL
Combined Type

AMD

AZW

AZR

ABT

ABP

ABQ

AEVC

AZL

ALH

AZH

AZU

ACV

ASBP

ALS

ACP

ACPF

ACPS

APB

ACV Series

Basic Vacuum Generator

AIRBEST



UNIVERSAL



Features

- ◇ Single stage and compact structure
- ◇ High vacuum level type and large flow type for option
- ◇ Optional pressure switch

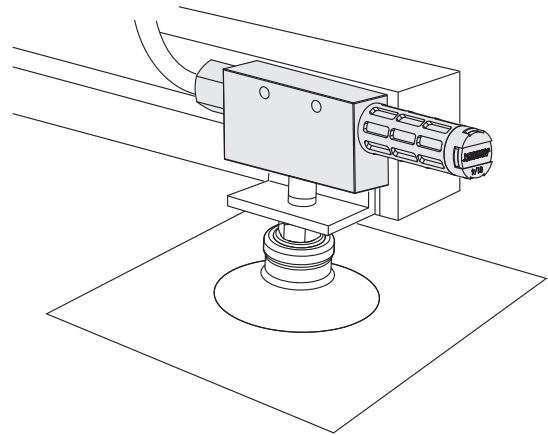


Advantages

- ◇ Long lifetime and easy maintenance
- ◇ Meeting all kinds of working conditions
- ◇ Cost-effective and simple pressure switch for detecting directly

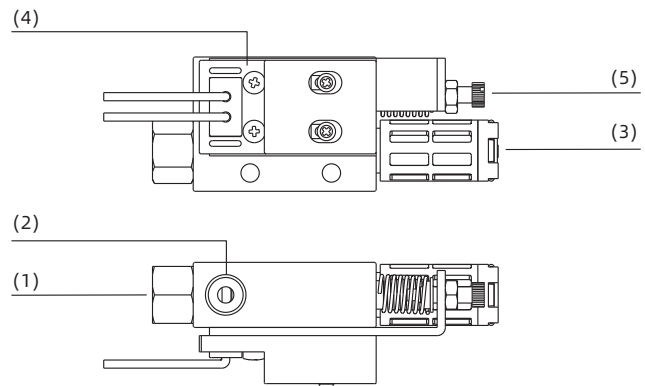
Applications

- ◇ Widely used in all kinds of vacuum systems
- ◇ Suitable for various handling operations such as automotive, metal sheet, wood, food and packaging, etc.
- ◇ High vacuum type and large flow type for different occasions
- ◇ Simple structure, the metal nozzle and body can be used in occasions of complicated environment, it is easy to maintain and clean



Structure

- ◇ (1) Air supply port
- ◇ (2) Vacuum port
- ◇ (3) Silencer
- ◇ (4) Pressure switch
- ◇ (5) Adjusting nut



ACV Series

Basic Vacuum Generator

How to order

ACV - 10 HS CK

① ② ③ ④

① Series	② Nozzle diameter	③ Specification	④ Pressure switch
ACV	05 - ϕ 0.5mm	HS - High vacuum level type (-87kPa)	Nil - Without pressure switch
	10 - ϕ 1.0mm	LS - Large vacuum flow type (-57kPa)	CK - With adjustable pressure switch
	15 - ϕ 1.5mm		
	20 - ϕ 2.0mm		
	25 - ϕ 2.5mm		
	30 - ϕ 3.0mm		

Selection

Model/Pressure switch Nil-Without pressure switch		Model/Pressure switch CK-With adjustable pressure switch	
ACV-05HS	ACV-05HSCK	ACV-05LS	ACV-05LSCK
ACV-10HS	ACV-10HSCK	ACV-10LS	ACV-10LSCK
ACV-15HS	ACV-15HSCK	ACV-15LS	ACV-15LSCK
ACV-20HS	ACV-20HSCK	ACV-20LS	ACV-20LSCK
ACV-25HS	-	ACV-25LS	-
ACV-30HS	-	ACV-30LS	-

Technical parameters

Model	Rated air supply pressure bar	Max. vacuum level -kPa	Max. vacuum flow NL/min	Air consumption NL/min	Noise level dB(A)	Working temperature °C	Weight(g)		Recommended hose dia.(mm)	
							Without switch	CK	Air supply port (P)	Vacuum port (V)
ACV-05HS	5.0	87	7	13	68	0~60	80	120	ϕ 8	ϕ 8
ACV-10HS	5.0	90	27	44	68	0~60	80	120	ϕ 8	ϕ 8
ACV-15HS	5.0	90	63	100	72	0~60	140	190	ϕ 8	ϕ 8
ACV-20HS	5.0	90	110	180	72	0~60	350	460	ϕ 8	ϕ 10
ACV-25HS	5.0	90	160	265	75	0~60	730	700	ϕ 10	ϕ 12
ACV-30HS	5.0	90	225	385	75	0~60	870	846	ϕ 10	ϕ 12
ACV-05LS	5.0	57	10	13	68	0~60	75	115	ϕ 8	ϕ 8
ACV-10LS	5.0	57	36	44	68	0~60	75	115	ϕ 8	ϕ 8
ACV-15LS	5.0	57	95	100	72	0~60	135	180	ϕ 8	ϕ 8
ACV-20LS	5.0	57	170	180	72	0~60	330	440	ϕ 8	ϕ 10
ACV-25LS	5.0	57	250	265	75	0~60	710	680	ϕ 10	ϕ 12
ACV-30LS	5.0	57	350	385	75	0~60	840	816	ϕ 10	ϕ 12

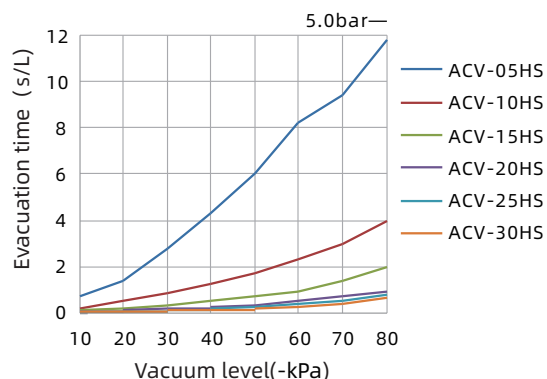
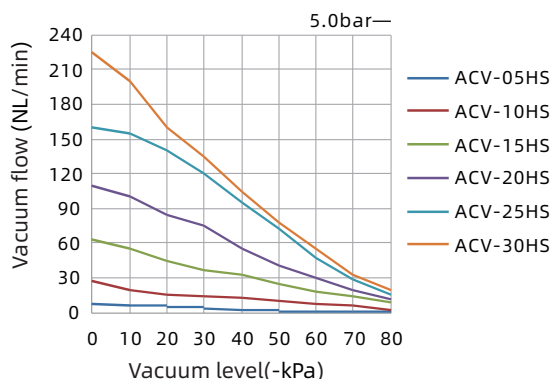
Basic Vacuum Generator

Vacuum flow(NL/min) at different vacuum levels(-kPa)

Model	Air supply pressure bar	Air consumption NL/min	0	10	20	30	40	50	60	70	80	Max. vacuum level -kPa
ACV-05HS	5.0	13	7.0	5.5	4.2	3.0	1.5	0.8	0.5	0.2	0.05	87
ACV-10HS	5.0	44	27.0	19.0	16.0	14.5	13.0	10.5	8.0	6.5	2.50	90
ACV-15HS	5.0	100	63.0	55.0	44.0	37.0	32.5	25.0	18.0	14.0	9.00	90
ACV-20HS	5.0	180	110.0	100.0	85.0	75.0	55.0	40.5	30.0	20.0	12.00	90
ACV-25HS	5.0	265	160.0	155.0	140.0	120.0	95.0	72.0	47.0	28.0	15.00	90
ACV-30HS	5.0	385	225.0	200.0	160.0	135.0	105.0	78.0	55.0	33.0	19.00	90

Evacuation time(s/L) to reach different vacuum levels(-kPa)

Model	Air supply pressure bar	Air consumption NL/min	10	20	30	40	50	60	70	80	Max. vacuum level -kPa
ACV-05HS	5.0	13	0.68	1.38	2.77	4.32	6.02	8.25	9.44	11.82	87
ACV-10HS	5.0	44	0.20	0.49	0.82	1.25	1.74	2.32	2.95	4.00	90
ACV-15HS	5.0	100	0.08	0.19	0.32	0.48	0.69	0.92	1.38	1.95	90
ACV-20HS	5.0	180	0.04	0.10	0.17	0.23	0.34	0.49	0.71	0.92	90
ACV-25HS	5.0	265	0.03	0.07	0.11	0.17	0.24	0.35	0.49	0.75	90
ACV-30HS	5.0	385	0.03	0.06	0.09	0.14	0.20	0.27	0.41	0.63	90



Vacuum flow(NL/min) at different vacuum levels(-kPa)

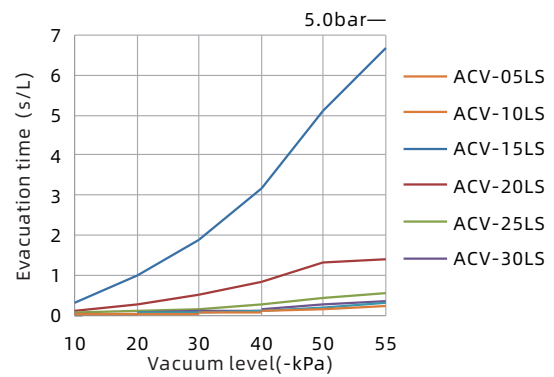
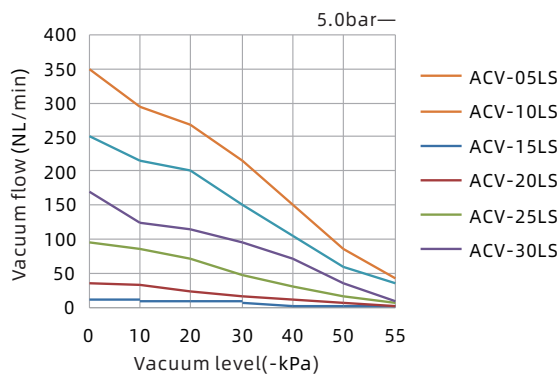
Model	Air supply pressure bar	Air consumption NL/min	0	10	20	30	40	50	55	Max. vacuum level -kPa
ACV-05LS	5.0	13	10.0	9.0	8.0	6.5	2.5	1.8	0.7	57
ACV-10LS	5.0	44	36.0	31.5	23.5	16.5	10.0	6.5	2.5	57
ACV-15LS	5.0	100	95.0	85.0	70.0	47.5	30.5	15.5	5.5	57
ACV-20LS	5.0	180	170.0	125.0	115.0	95.0	70.0	35.5	7.5	57
ACV-25LS	5.0	265	250.0	215.0	200.0	150.0	105.0	60.0	36.0	57
ACV-30LS	5.0	385	350.0	295.0	267.0	215.0	150.0	85.0	41.0	57

ACV Series

Basic Vacuum Generator

Evacuation time(s/L) to reach different vacuum levels(-kPa)

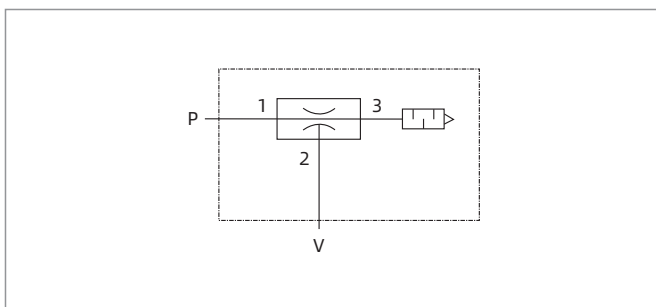
Model	Air supply pressure bar	Air consumption NL/min	10	20	30	40	50	55	Max. vacuum level -kPa
ACV-05LS	5.0	13	0.31	0.98	1.89	3.17	5.12	6.70	57
ACV-10LS	5.0	44	0.12	0.28	0.51	0.83	1.32	1.40	57
ACV-15LS	5.0	100	0.45	0.10	0.15	0.26	0.42	0.56	57
ACV-20LS	5.0	180	0.03	0.06	0.11	0.14	0.25	0.34	57
ACV-25LS	5.0	265	0.02	0.05	0.08	0.12	0.18	0.30	57
ACV-30LS	5.0	385	0.02	0.04	0.06	0.09	0.13	0.22	57



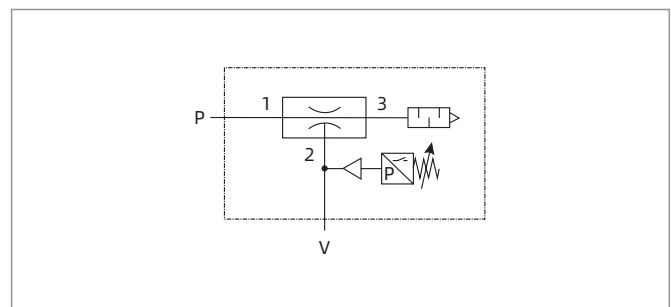
Technical parameters-Pressure switch

Model	ACV-CK (Adjustable pressure switch)
Fluid	Air
Set pressure range(-kPa)	20~53
Ambient temperature	0~60°C (Non-freezing)
Operating accuracy(-kPa)	±5.3
Hysteresis(-kPa)	4.0~13.3
Operating voltage(V)	DC24V below
Load current(A)	0.2
Effective length of lead wire(m)	0.7

Air circuit schematic diagram



ACV Standard



ACV - CK With pressure switch

Vacuum Generator

AZK

AZQ

AZX

AZD

AGS

AGB

AGP

AGX

AGE

ABM/ABX

ABM/ABX
Combined Type

AMC

AM/AL/AH

AM/AL
Combined Type

AMD

AZW

AZR

ABT

ABP

ABQ

AEVC

AZL

ALH

AZH

AZU

ACV

ASBP

ALS

ACP

ACPF

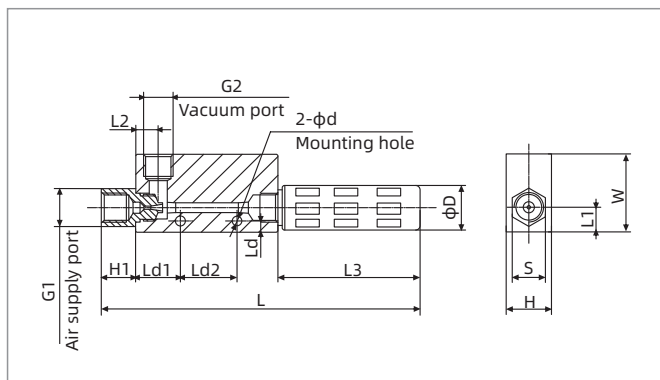
ACPS

APB

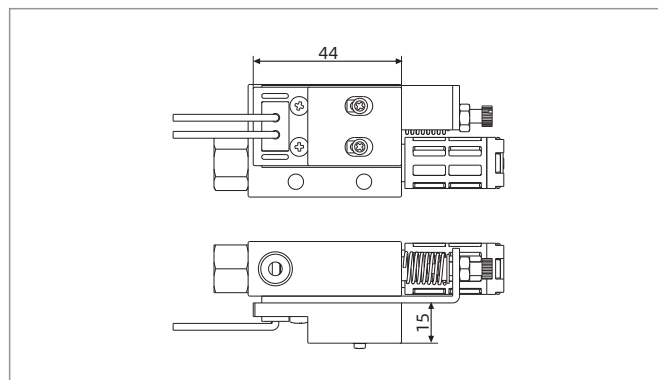
ACV Series

Basic Vacuum Generator

Dimensions(mm)



ACV Standard



ACV - CK With pressure switch

Model/Size	L	H	W	G1	H1	L1	S	G2	L2	ϕd	Ld	Ld1	Ld2	ϕD	L3
ACV-05	85	16	33	Rp1/8	10	10	14	Rp1/8	8	4.5	4.5	14	20	15	30
ACV-10	85	16	33	Rp1/8	10	10	14	Rp1/8	8	4.5	4.5	14	20	15	30
ACV-15	129	20	35	Rp1/4	15	11	17	Rp1/4	10	4.5	5.0	20	25	19	51
ACV-20	161	30	40	Rp1/4	20	15	24	Rp3/8	13	6.0	7.0	28	32	28	56
ACV-20CK	161	30	50	Rp1/4	20	15	24	Rp3/8	13	6.0	7.0	28	32	28	56
ACV-25	236	40	60	Rp3/8	17	20	27	Rp1/2	16	6.0	5.5	20	50	40	119
ACV-30	257	40	60	Rp1/2	20	20	30	Rp3/4	20	6.0	5.5	33	50	40	119

Repair kits

Model of silencer	Connection thread	Color	Applicable vacuum generator
ZSB-X-G1M	G1/8Male thread		ACV-05HS、10HS
ZSB-F-G1M	G1/8Male thread		ACV-05LS、10LS
ZSB-X-G2M	G1/4Male thread		ACV-15HS
ZSB-F-G2M	G1/4Male thread		ACV-15LS
ZSB-X-G4M	G1/2Male thread		ACV-20HS
ZSB-F-G4M	G1/2Male thread		ACV-20LS
ZSA-G6M	G3/4Male thread		ACV-25HS /LS、30HS / LS

ASBP Series

Basic Vacuum Generator

AIRBEST



UNIVERSAL



Features

- ◇ Plastic housing, small size and light weight
- ◇ Nozzle diameter 1.0mm and 1.5mm
- ◇ Threaded connection

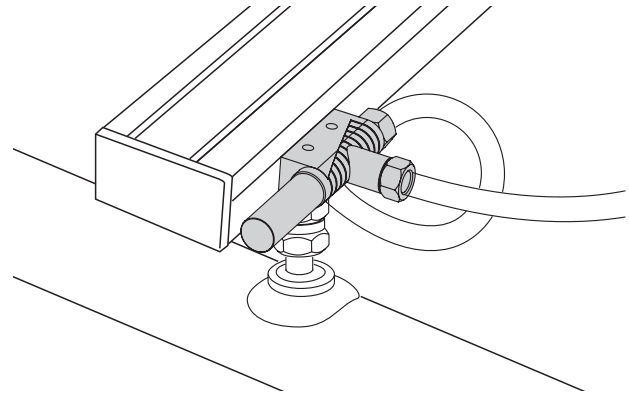
Advantages

- ◇ Suitable for fast handling
- ◇ Low air consumption
- ◇ Easy installation and space saving
- ◇ Low noise and easy maintenance



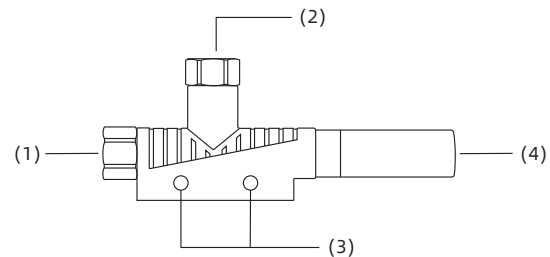
Applications

- ◇ Basic vacuum generator with plastic housing
- ◇ Compact structure, can be installed in row
- ◇ Handling of electronic components



Structure

- ◇ (1) Air supply port
- ◇ (2) Vacuum port
- ◇ (3) Mounting hole
- ◇ (4) Exhaust port



Vacuum Generator

AZK

AZQ

AZX

AZD

AGS

AGB

AGP

AGX

AGE

ABM/ABX

ABM/ABX
Combined Type

AMC

AM/AL/AH

AM/AL
Combined Type

AMD

AZW

AZR

ABT

ABP

ABQ

AEVC

AZL

ALH

AZH

AZU

ACV

ASBP

ALS

ACP

ACPF

ACPS

APB

ASBP Series

Basic Vacuum Generator

How to order

ASBP 10

① ②

① Series	② Nozzle diameter
ASBP	10 - ϕ 1.0mm 15 - ϕ 1.5mm

Selection

Model/Nozzle diameter	10	15
ASBP□	ASBP10	ASBP15

Technical parameters

Model	Nozzle diameter mm	Rated air supply pressure bar	Max. vacuum level -kPa	Max. vacuum flow NL/min	Air consumption NL/min	Noise level dB(A)	Working temperature °C	Weight g	Recommended hose dia.(mm)	
									Air supply port P	Vacuum port V
ASBP10	1.0	4.5	85	38	50	59	0~60	22	ϕ 6	ϕ 8
ASBP15	1.5	4.5	85	72	110	65	0~60	22	ϕ 6	ϕ 8

◇ Note: Max.operating pressure 7bar, standard operating pressure 4.5bar

ASBP Series

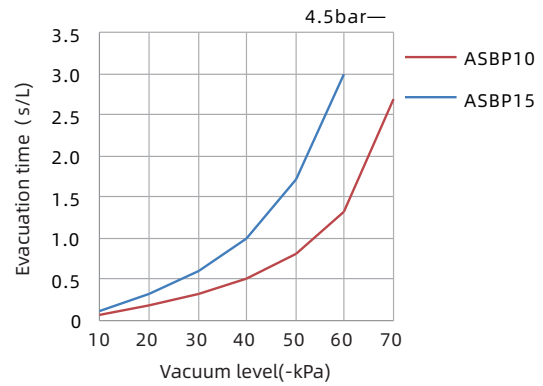
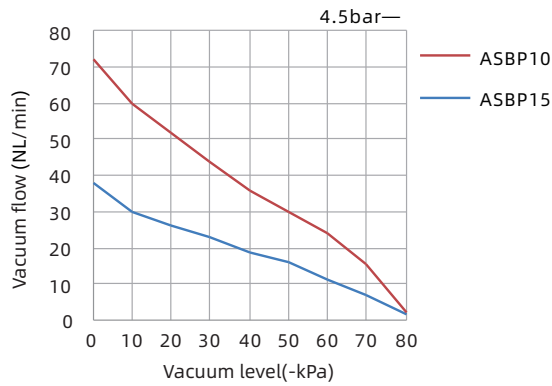
Basic Vacuum Generator

Vacuum flow(NL/min) at different vacuum levels(-kPa)

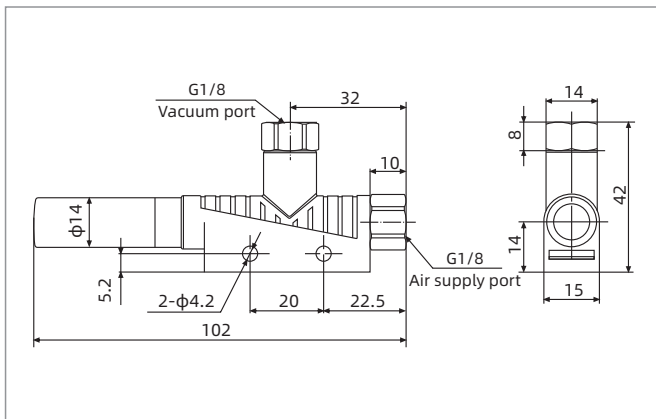
Model	Air supply pressure bar	Air consumption NL/min	0	10	20	30	40	50	60	70	80	Max. vacuum level -kPa
ASBP10	4.5	50	38	30	26	23	18.6	16	11	7.0	1.8	85
ASBP15	4.5	110	72	60	52	44	36.0	30	24	15.5	2.2	85

Evacuation time(s/L) to reach different vacuum levels(-kPa)

Model	Air supply pressure bar	Air consumption NL/min	10	20	30	40	50	60	70	Max. vacuum level -kPa
ASBP10	4.5	50	0.13	0.33	0.60	1.00	1.72	3.00	-	85
ASBP15	4.5	110	0.06	0.18	0.32	0.52	0.81	1.32	2.7	85



Dimensions(mm)



ASBP

Vacuum Generator

AZK

AZQ

AZX

AZD

AGS

AGB

AGP

AGX

AGE

ABM/ABX

ABM/ABX Combined Type

AMC

AM/AL/AH

AM/AL Combined Type

AMD

AZW

AZR

ABT

ABP

ABQ

AEVC

AZL

ALH

AZH

AZU

ACV

ASBP

ALS

ACP

ACPF

ACPS

APB

ALS Series

Linear Single Stage Vacuum Generator



UNIVERSAL

Features

- ◇ It is installed directly between suction cup and compressed air source
- ◇ Aluminum alloy body, small size, light weight

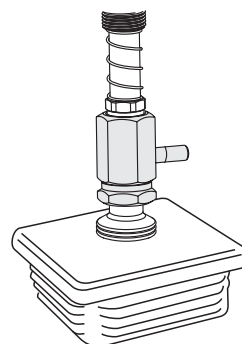
Advantages

- ◇ No need to connect PU hose, it can directly produce vacuum at the working site
- ◇ Saving space, suitable for installation occasions with small space and fast movement



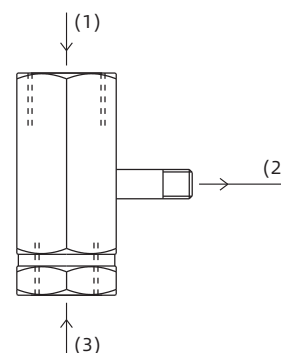
Applications

- ◇ The linear vacuum generator is connected with the suction cup and the compressed air source directly, which can reduce the evacuation time
- ◇ Suitable for a variety of handling process, such as industrial robots and feeding systems



Structure

- ◇ (1) Air supply port
- ◇ (2) Exhaust port
- ◇ (3) Vacuum port



ALS Series

Linear Single Stage Vacuum Generator

How to order

ALS - M5F

① ②

① Series	② Vacuum port connection thread
ALS	M5F - M5×0.8 female thread G1F - G1/8 female thread G2F - G1/4 female thread

Selection

Model/ Vacuum port connection thread M5F	G1F	G2F
ALS-M5F	ALS-G1F	ALS-G2F

Technical parameters

Model	Rated air supply pressure bar	Max.vacuum level -kPa	Max.vacuum flow NL/min	Air consumption NL/min	Noise level dB(A)	Weight g
ALS-M5F	5.0	85	14.4	42	80	18
ALS-G1F	5.0	85	14.4	42	80	22
ALS-G2F	5.0	85	14.4	42	80	21

ALS Series



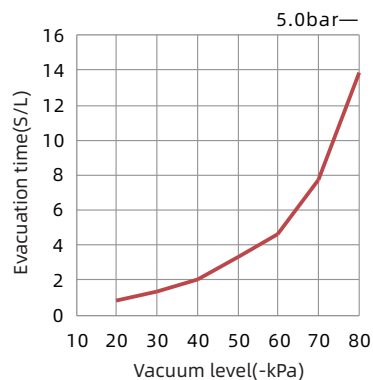
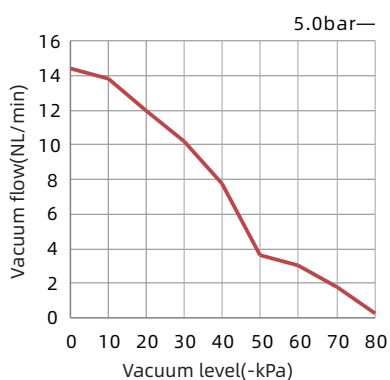
Linear Single Stage Vacuum Generator

Vacuum flow(NL/min) at different vacuum levels(-kPa)

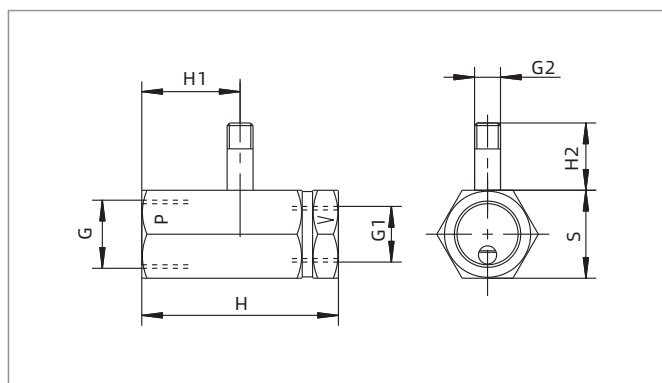
Model	Air supply pressure bar	Air consumption NL/min	0	10	20	30	40	50	60	70	80	Max. vacuum level -kPa
ALS	5.0	42	14.40	13.80	12.00	10.20	7.80	3.60	3.00	1.80	0.24	85

Evacuation time(s/L) to reach different vacuum levels(-kPa)

Model	Air supply pressure bar	Air consumption NL/min	10	20	30	40	50	60	70	80	Max. vacuum level -kPa
ALS	5.0	42	0.39	0.79	1.34	2.06	3.32	4.62	7.71	13.97	85



Dimensions(mm)



ALS

Model/size	H	H1	H2	G	G1	G2	S
ALS-M5F	30	15	13	G1/4	M5×0.8	M5×0.8	17
ALS-G1F	35	17.5	13	G1/4	G1/8	M5×0.8	17
ALS-G2F	38	19	13	G1/4	G1/4	M5×0.8	17

ACP Series

Conveying Vacuum Generator



BIOPHARMING



FOOD



PACKAGING

Features

- ◇ Straight-through design, extremel large vacuum flow
- ◇ Vacuum flow is adjustable according to the working condition
- ◇ Different diameters are available

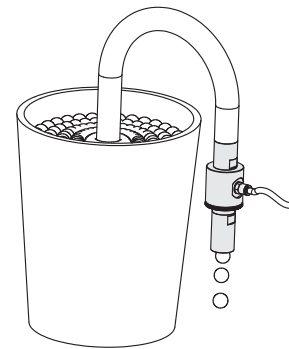
Advantages

- ◇ Handling of workpieces with high permeability, particle, powder, gas and fluid
- ◇ Vacuum flow can be manually adjusted according to the different working conditions



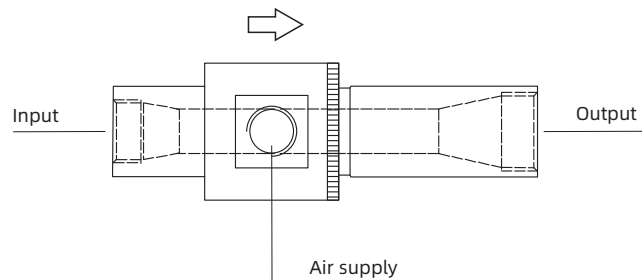
Applications

- ◇ Handling of loose materials such as textile and paper
- ◇ Conveying of grains such as wheat and corn
- ◇ Conveying of powder particles such as laundry detergent and plastic particles
- ◇ Removal of cutter chips during machining
- ◇ Suction of non-corrosive waste water and waste gas during industrial processing



Structure

- ◇ Straight-through design, can adsorb and transport different materials continuously
- ◇ All ports are connected with female thread



Vacuum Generator

AZK

AZQ

AZX

AZD

AGS

AGB

AGP

AGX

AGE

ABM/ABX

ABM/ABX
Combined Type

AMC

AM/AL/AH

AM/AL
Combined Type

AMD

AZW

AZR

ABT

ABP

ABQ

AEVC

AZL

ALH

AZH

AZU

ACV

ASBP

ALS

ACP

ACPF

ACPS

APB

ACP Series

Conveying Vacuum Generator

How to order

ACP 250 S

① ② ③

① Series	② Specification	③ Material
ACP	250	Nil - Aluminum alloy
	375	S - Stainless steel
	500	
	750	

Selection

Model/Material Nil-Aluminum alloy	S - Stainless steel
ACP250	ACP250S
ACP375	ACP375S
ACP500	ACP500S
ACP750	ACP750S

Technical parameters

Air consumption(NL/min) at different vacuum levels(-kPa)

Model	Nozzle diameter mm	Air supply pressure bar	17	34	50	68	84	Working temperature °C	Aluminum alloy	Weight (g) Stainless steel
ACP250	6.5	5.5	112	169	233	276	342	-20~80	100	296
ACP375	9.5	5.5	176	327	485	595	825	-20~80	286	846
ACP500	13.0	5.5	340	625	795	940	1,280	-20~80	401	1,189
ACP750	19.0	5.5	650	875	1,250	1,790	2,550	-20~80	540	1,599

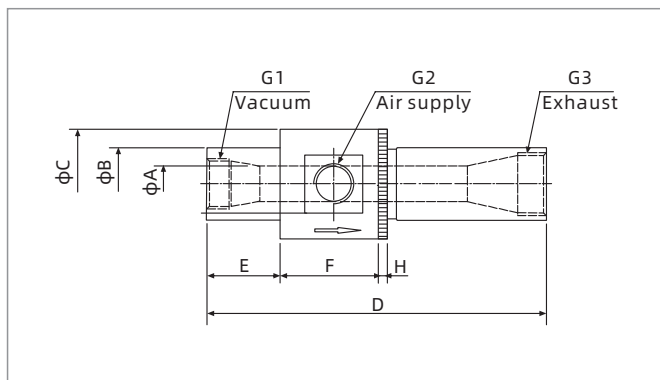
Vacuum flow(NL/min) at different vacuum levels(-kPa)

Model	Air supply pressure bar	17	34	50	68	84
ACP250	5.5	280	240	200	162	125
ACP375	5.5	846	735	620	520	395
ACP500	5.5	1,695	1,325	1,130	990	650
ACP750	5.5	3,390	2,460	1,970	1,440	1,130

ACP Series

Conveying Vacuum Generator

Dimensions(mm)



ACP

Model/Size	A	B	C	D	E	F	H	G1	G2	G3
ACP250	6.5	19	32	94~105	22	32	5	G1/4	G1/8	G1/4
ACP375	9.5	25	45	155~165	38	45	5	G3/8	G3/8	G1/2
ACP500	13.0	32	51	155~160	38	51	5	G1/2	G3/8	G3/4
ACP750	19.0	38	58	175~189	38	51	5	G3/4	G1/2	G1"

Vacuum Generator

AZK

AZQ

AZX

AZD

AGS

AGB

AGP

AGX

AGE

ABM/ABX

ABM/ABX
Combined Type

AMC

AM/AL/AH

AM/AL
Combined Type

AMD

AZW

AZR

ABT

ABP

ABQ

AEVC

AZL

ALH

AZH

AZU

ACV

ASBP

ALS

ACP

ACPF

ACPS

APB

ACPF Series

Conveying Vacuum Generator

AIRBEST



Features

- ◇ Straight-through design, extremely large vacuum flow
- ◇ Different diameters are available, the largest diameter is 38mm

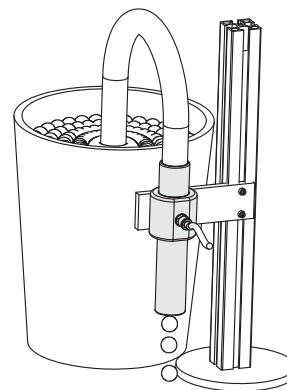
Advantages

- ◇ Handling of workpieces with high permeability, particle, powder, gas and fluid



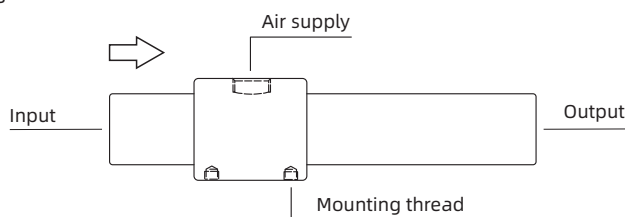
Applications

- ◇ Handling of loose materials such as textile and paper
- ◇ Conveying of grains such as wheat and corn
- ◇ Conveying of powder particles such as laundry detergent and plastic particles
- ◇ Removal of cutter chips during machining
- ◇ Suction of non-corrosive waste water and waste gas during industrial processing



Structure

- ◇ Straight-through design, can adsorb and transport different materials continuously
- ◇ With mounting threaded hole
- ◇ The ports of ACPF3-3 are threaded connection, and the others are connected by external steel wire hoses



ACPF Series

Conveying Vacuum Generator

How to order

ACPF 2-3 S
 ① ② ③

① Series	② Specification	③ Material
ACPF	2-3	Nil- Aluminum alloy
	3-3	S-Stainless steel
	5-6	
	7-6	
	15-3	
	15-6	

Selection

Model/Material	
Nil-Aluminum alloy	S - Stainless steel
ACPF2-3	ACPF2-3S
ACPF3-3	ACPF3-3S
ACPF5-6	ACPF5-6S
ACPF7-6	ACPF7-6S
ACPF15-3	ACPF15-3S
ACPF15-6	ACPF15-6S

Technical parameters

Model	Nozzle diameter mm	Rated air supply pressure bar	Max. vacuum level -kPa	Max. vacuum flow NL/min	Air consumption NL/min		Working temperature °C	Weight(g)	
					2.8bar	5.5bar		Aluminum alloy	Stainless steel
ACPF2-3	6.5	6.0	26.0	295	85	160	-20~80	85	252
ACPF3-3	9.5	6.0	16.0	425	95	170	-20~80	69	205
ACPF5-6	12.5	6.0	35.0	870	395	680	-20~80	170	505
ACPF7-6	19.0	6.0	28.0	1,825	790	1,365	-20~80	388	1,151
ACPF15-3	25.0	6.0	4.4	4,400	405	695	-20~80	519	1,537
ACPF15-6	38.0	6.0	9.0	5,610	790	1,365	-20~80	659	1,953

AZK

AZQ

AZX

AZD

AGS

AGB

AGP

AGX

AGE

ABM/ABX

ABM/ABX Combined Type

AMC

AM/AL/AH

AM/AL Combined Type

AMD

AZW

AZR

ABT

ABP

ABQ

AEVC

AZL

ALH

AZH

AZU

ACV

ASBP

ALS

ACP

ACPF

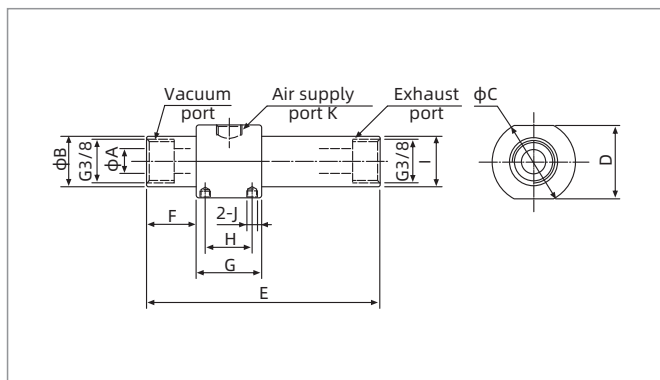
ACPS

APB

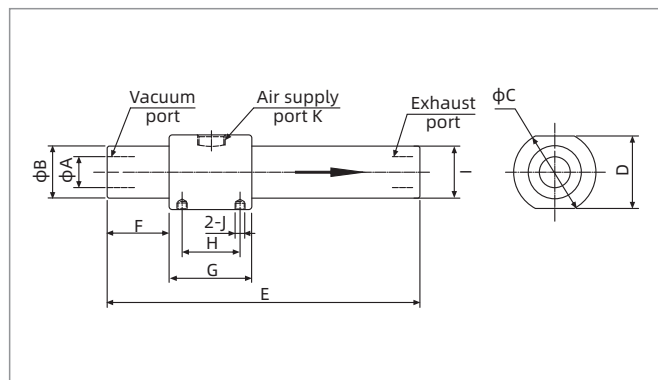
ACPF Series

Conveying Vacuum Generator

Dimensions(mm)



ACPF3-3



ACPF(Other sizes)

Model/Size	A	B	C	D	E	F	G	H	I	J	K
ACPF2-3	6.5	18.5	32	28	89	19	25	18	19.5	M4×0.7	G1/8
ACPF3-3	9.5	18.5	32	28	89	19	25	18	19.5	M4×0.7	G1/8
ACPF5-6	12.5	24.0	38	34	140	25	32	23	25.0	M4×0.7	G1/4
ACPF7-6	19.0	31.0	50	45	190	38	50	35	33.0	M4×0.7	G3/8
ACPF15-3	25.0	38.0	59	55	198	40	56	40	38.0	M4×0.7	G3/8
ACPF15-6	38.0	49.6	69	65	205	40	60	42	49.6	M4×0.7	G3/8

ACPS Series

Conveying Vacuum Generator



BIOPHARMING



FOOD



PACKAGING

Features

- ◇ Straight-through design, extremely large vacuum flow
- ◇ Different diameters are available

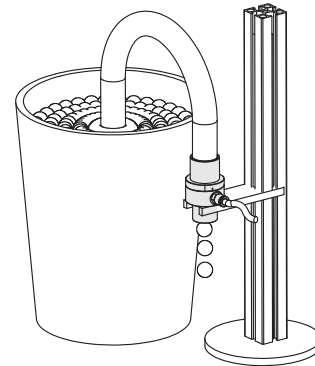
Advantages

- ◇ Handling of workpieces with high permeability, particle, powder, gas and fluid



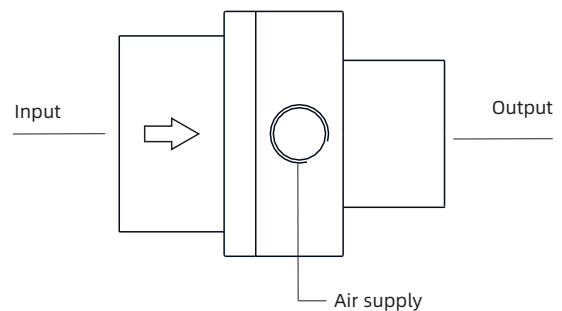
Applications

- ◇ Handling of loose materials such as textile and paper
- ◇ Conveying of grains such as wheat and corn
- ◇ Conveying of powder particles such as laundry detergent and plastic particles
- ◇ Removal of cutter chips during machining
- ◇ Suction of non-corrosive waste water and waste gas during industrial processing



Structure

- ◇ Straight-through design, can adsorb and transport different materials continuously
- ◇ Compressed air goes through the lateral annular gap



Vacuum Generator

AZK

AZQ

AZX

AZD

AGS

AGB

AGP

AGX

AGE

ABM/ABX

ABM/ABX
Combined Type

AMC

AM/AL/AH

AM/AL
Combined Type

AMD

AZW

AZR

ABT

ABP

ABQ

AEVC

AZL

ALH

AZH

AZU

ACV

ASBP

ALS

ACP

ACPF

ACPS

APB

ACPS Series

Conveying Vacuum Generator

How to order

ACPS 10

① ②

① Series	② Nozzle diameter
ACPS	10 - ϕ 10mm 20 - ϕ 20mm 40 - ϕ 40mm 75 - ϕ 75mm

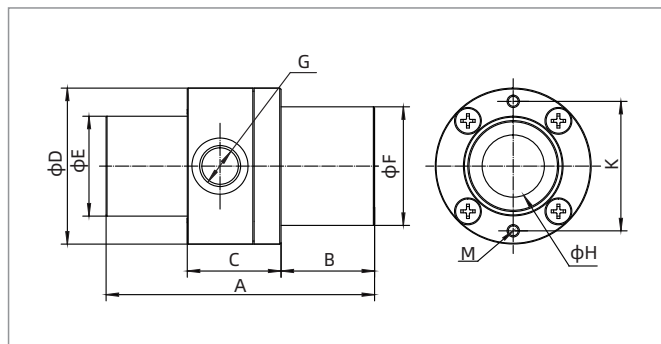
Selection

Model/Nozzle diameter	10	20	40	75
ACPS□	ACPS10	ACPS20	ACPS40	ACPS75

Technical parameters

Model	Nozzle diameter mm	Rated air supply pressure bar	Max. vacuum level -kPa	Max. vacuum flow NL/min	Air consumption NL/min	Working temperature °C	Weight g
ACPS10	10	5.0	12	550	140	-20~80	77
ACPS20	20	5.0	4	1,375	265	-20~80	189
ACPS40	40	5.0	2	2,250	470	-20~80	522
ACPS75	75	5.0	1	8,640	876	-20~80	2,308

Dimensions(mm)



ACPS

Model/Size	A	B	C	D	E	F	G	H	K	M
ACPS10	70	23	21	37	19	19	G1/8	10	29.0	2-M4×0.7
ACPS20	86	30	30	50	32	38	G1/4	20	41.5	2-M4×0.7
ACPS40	94	30	34	84	52	75	G3/8	40	72.0	2-M4×0.7
ACPS75	180	34	65	140	100	125	G1/2	75	126.0	2-M6×1

APB Series

High Pressure Vacuum Blower



PACKAGING



WOOD



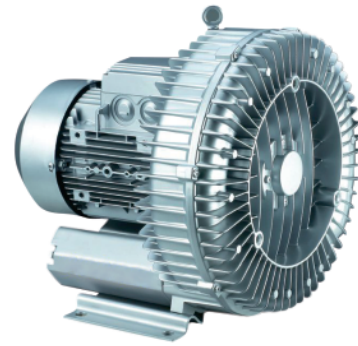
COMPOSITE MATERIAL

Features

- ◇ Extremely high suction capacity
- ◇ The housing and impeller are made of high strength die-casting aluminum alloy
- ◇ Available in various suction capacity

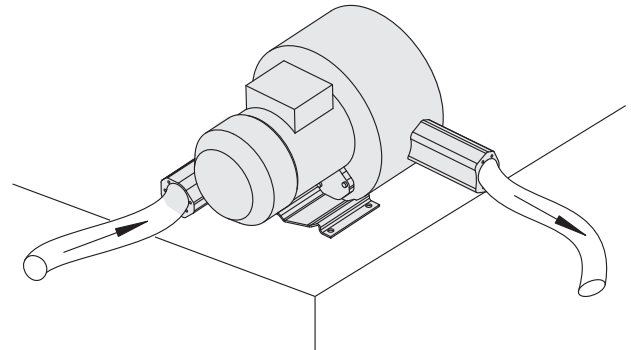
Advantages

- ◇ Fast and reliable handling of porous materials
- ◇ Low noise and high suction capacity
- ◇ It can be precisely selected according to the actual working conditions



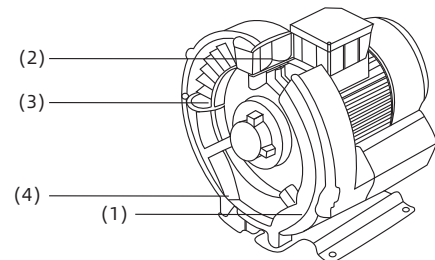
Applications

- ◇ Handling of cartons, wood, foam materials, heat insulating materials and other extremely porous materials
- ◇ Extremely high suction flow to compensate for leakage easily



Structure

- ◇ (1) Air supply port
- ◇ (2) Side channel
- ◇ (3) Impeller
- ◇ (4) Exhaust port



Vacuum Generator

AZK

AZQ

AZX

AZD

AGS

AGB

AGP

AGX

AGE

ABM/ABX

ABM/ABX
Combined Type

AMC

AM/AL/AH

AM/AL
Combined Type

AMD

AZW

AZR

ABT

ABP

ABQ

AEVC

AZL

ALH

AZH

AZU

ACV

ASBP

ALS

ACP

ACPF

ACPS

APB

APB Series

High Pressure Vacuum Blower

How to order

APB - 420

① ②

② Series	① Specifications
APB	420
	520
	620
	720
	820
	920

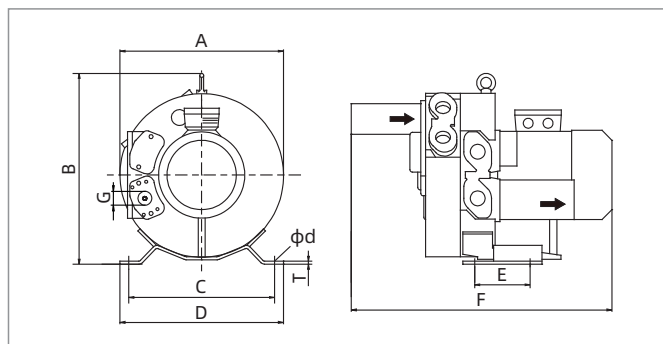
Selection

Model	Model
APB-420	APB-720
APB-520	APB-820
APB-620	APB-920

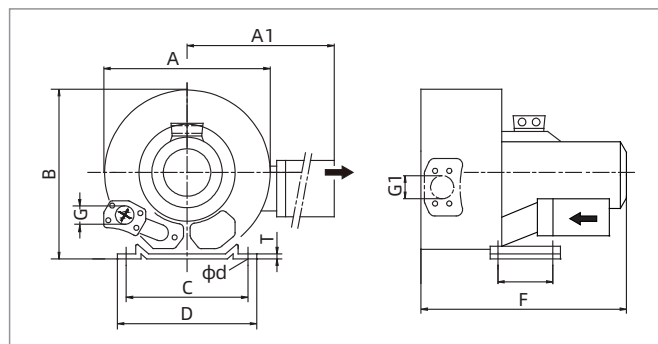
Technical parameters

Model	Motor (50HZ)			Max. flow m ³ /h	Max. vacuum level -kPa	Max. pressure mbar	Noise level dB(A)	Protection grade IP	Weight kg
	Rated power KW	Input voltage V	Rated current A						
APB-420	1.5	220-240△/345-415	7.5△/4.3Y	87	48	450	61	IP55	33
APB-520	2.2	220-240△/345-415	11.4△/6.6Y	120	47	460	64	IP55	40
APB-620	3.2	220-240△/345-415	13.0△/7.5Y	165	46	500	67	IP55	48
APB-720	5.5	345-415△/600-720	13.0△/7.7Y	320	44	500	73	IP55	66
APB-820	7.5	345-415△/600-720	13.3△/7.7Y	520	40	400	74	IP55	86
APB-920	16.5	345-415△/600-720	35.0△/20.0Y	1,110	41	370	74	IP55	197

Dimensions(mm)



APB-420~620

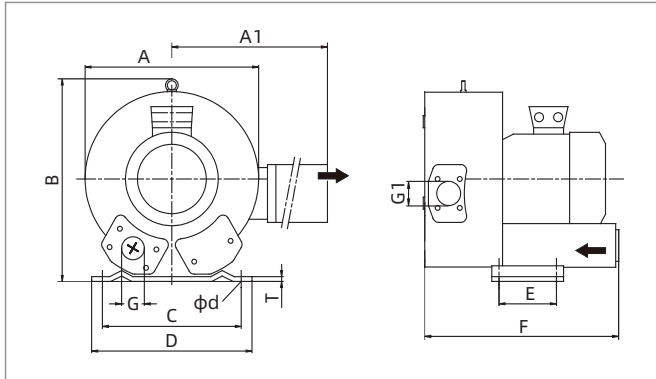


APB-720

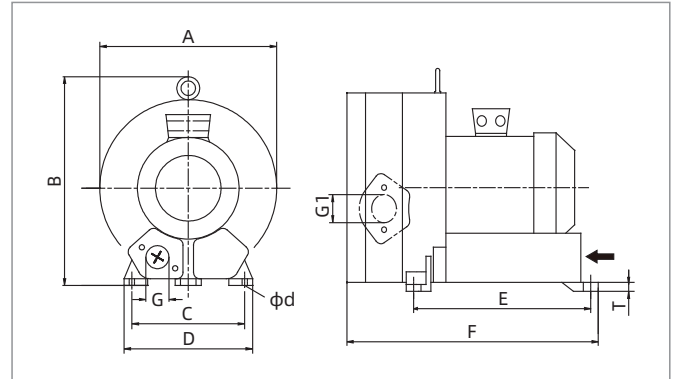
APB Series

High Pressure Vacuum Blower

Dimensions(mm)



APB-820



APB-920

Model/Size	A	A1	B	C	D	ϕd	E	F	T	G	G1
APB-420	363	-	414	315	350	14	130	529	4	G1"1/4depth18	-
APB-520	387	-	435	328	363	14	130	549	5	G1"1/4depth18	-
APB-620	442	-	495	372	406	14	152	578	5	G1"1/4depth18	-
APB-720	426	426	410	290	325	15	140	571	4.5	$\phi 55$	-
APB-820	500	549	509	356	545	15	170	589	6	G2"1/2	-
APB-920	615	-	623	360	415	15	533	786	21	$\phi 100$	-

Safety Information

- ◇ Remarks: If this product has the following applications: logistics and transportation, consumer goods industry, agriculture, construction industry, comprehensive trade, etc. This type of equipment usually includes exposed parts. They are very dangerous since they are moving parts or rotating parts in many cases during working process. Unauthorized removal of protective covers, improper use, improper operation or insufficient maintenance may cause serious personal injury or equipment failure.
- ◇ The staff responsible for safety must ensure: Only qualified personnel can operate such equipment. Qualified personnel are already fully familiar with the operation manual when operating these equipment and can operate according to the installation manual systematically. Unqualified personnel are not allowed to operate such equipment.
- ◇ Qualified personnel: the personnel authorized by the person in charge of plant safety. They complete a certain necessary work based on their own experience and training, knowledge of relevant standards, and ability to prevent accidents, while being aware of potential dangers and take necessary measures.
- ◇ DIN VDE 0105 or IGC 364 stipulates that unqualified personnel shall not be engaged in electrical equipment work. Product manuals or catalogue cannot contain all the detailed information, especially it is impossible to cover every possible safety, operation and maintenance method. Therefore, these operating manuals only include the necessary information for qualified personnel to operate the equipment correctly. If the detailed parameters of the product are lacking, please contact us for more information.

Vacuum Generator

AZK

AZQ

AZX

AZD

AGS

AGB

AGP

AGX

AGE

ABM/ABX

ABM/ABX
Combined Type

AMC

AM/AL/AH

AM/AL
Combined Type

AMD

AZW

AZR

ABT

ABP

ABQ

AEVC

AZL

ALH

AZH

AZU

ACV

ASBP

ALS

ACP

ACPF

ACPS

APB

C Vacuum Suction Cups

Suction cups

Products overview

Suction cups

154 SZ Series

Standard Suction Cup

- ◇ Diameter: 2-50mm
- ◇ Material: N WS CN CS HP



RoHS

185 SOFA Series

Oval Flat Suction Cup

- ◇ Size: 6×18mm
- ◇ Material: N WS



RoHS

162 SP3 Series

Suction Cup

- ◇ Diameter: 1.5-16mm
- ◇ Material: N WS CN CS HP



RoHS

186 STP Series

Ultra-thin Flower-Shaped Suction Cup

- ◇ Diameter: 35-60mm
- ◇ Material: S WS



RoHS

176 SUF Series

Small Flat Suction Cup

- ◇ Diameter: 3.5-5.5mm
- ◇ Material: N S



RoHS

188 SFT Series

Flat Suction Cup Special for Plastic Film and Paper

- ◇ Diameter: 15-40mm
- ◇ Material: WS HD NR



RoHS

177 SAN Series

Nozzle Type Suction Cup

- ◇ Diameter: 0.8-1.1mm
- ◇ Material: N WS CN CS



RoHS

192 SFA Series

Flat Ultra-thin Lip Suction Cup

- ◇ Diameter: 20-50mm
- ◇ Material: S

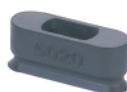


RoHS

178 SAO Series

Oval Flat Suction Cup

- ◇ Size: 3.5×7-8×30mm
- ◇ Material: N WS CN CS



RoHS

194 SBT Series

Bellows Suction Cup Special for Thin Workpieces

- ◇ Diameter: 16mm
- ◇ Material: N WS



RoHS

Suction cups

Products overview

Suction cups

195 SBL Series

4.5 Bellows Suction Cup

- ◇ Diameter: 15-50mm
- ◇ Material: N S WS



RoHS

209 SXP Series

PU Bellows Suction Cup

- ◇ Diameter: 20-70mm
- ◇ Material: U UG UD



RoHS

198 SBLP Series

Multiple Bellows Suction Cup Special for Soft Packing Bags

- ◇ Diameter: 30-50mm
- ◇ Material: S



RoHS

213 SGP Series

PU Bellows Suction Cup

- ◇ Diameter: 25-55mm
- ◇ Material: U UD



RoHS

200 SBS Series

Suction Cup Special for Spherical Objects

- ◇ Diameter: 30-35mm
- ◇ Material: S WS WSA



RoHS

216 SBOF Series

2.5 Bellows Oval Suction Cup

- ◇ Size: 35×28 45×28mm
- ◇ Material: V



RoHS

202 SFP Series

PU Flat Suction Cup

- ◇ Diameter: 20-40mm
- ◇ Material: U UY



RoHS

219 STC Series

1.5 Bellows Suction Cup Special for Metal Sheet

- ◇ Diameter: 22-125mm
- ◇ Material: N



RoHS

205 SBP Series

PU Bellows Suction Cup

- ◇ Diameter: 10-70mm
- ◇ Material: U UY UD



RoHS

223 SFF Series

Flat Suction Cup Special for Metal Sheet

- ◇ Diameter: 30-125mm
- ◇ Material: N NG



RoHS

Suction cups

Products overview

Suction cups

227 SOB Series

Oval Bellows Suction Cup Special for Metal Sheet

◇ Size: 30×60-70×140mm

◇ Material: N



RoHS

244 SBF Series

1.5 Bellows Suction Cup Special for Metal Sheet

◇ Diameter: 30-100mm

◇ Material: U



RoHS

230 SOF Series

Oval Flat Suction Cup Special for Metal Sheet

◇ Size: 16×50-70×140mm

◇ Material: N NG



RoHS

247 SDM Series

Flat Suction Cup Special for Metal Sheet

◇ Diameter: 100mm

◇ Material: U



RoHS

234 SOG Series

Oval Flat Suction Cup Special for Cylindrical Objects

◇ Size: 15×40mm 35×100mm

◇ Material: N



RoHS

249 SFU Series

Big Flat Suction Cup

◇ Diameter: 100-400mm

◇ Material: N WS



RoHS

237 SFM Series

Flat Suction Cup Special for Oily Metal Sheet

◇ Diameter: 30-120mm

◇ Material: U



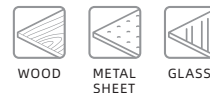
RoHS

253 SFK Series

Flat Suction Cup Special for Rough Surface Objects

◇ Diameter: 110-250mm

◇ Material: E



RoHS

241 SOM Series

Oval Flat Suction Cup Special for Long and Narrow Objects

◇ Size: 20×60-40×100mm

◇ Material: U



RoHS

256 SHT Series

High Temperature Suction Cup

◇ Diameter: 35-90mm

◇ Material: --



Suction cups

Products overview

Suction cups

258 SDL Series

Annular Suction Cup

- ◇ Diameter: 100mm
- ◇ Material: N



METAL SHEET



RoHS

271 SBA Series

1.5 Bellows Suction Cup

- ◇ Diameter: 6-78mm
- ◇ Material: N WS HD NR



UNIVERSAL



RoHS

259 SFG Series

Flat Suction Cup for Glass Industry

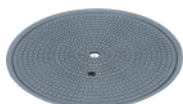
- ◇ Diameter: 125-400mm
- ◇ Material: E HD



GLASS



SLIPPING HIGH SEALING RESISTANCE



RoHS

276 SF Series

Universal Flat Suction Cup

- ◇ Diameter: 15-300mm
- ◇ Material: N S WS CS



UNIVERSAL



RoHS

262 SFGT Series

Big Flat Suction Cup

- ◇ Diameter: 65-160mm
- ◇ Material: ws



METAL SHEET



GLASS



RoHS

282 SU Series

Universal Flat Suction Cup

- ◇ Diameter: 6-80mm
- ◇ Material: N S WS CS



UNIVERSAL



RoHS

264 SFD Series

Flat Suction Cup for Wood Industry

- ◇ Diameter: 40-70mm
- ◇ Material: N WS NR



WOOD



RoHS

286 SP2F Series

Universal Flat Suction Cup

- ◇ Diameter: 10-15mm
- ◇ Material: N WS CN CS



PAPER



ANTI-DEFORMATION



RoHS

266 SB Series

Universal Bellows Suction Cup

- ◇ Diameter: 5-150mm
- ◇ Material: N S WS CS



UNIVERSAL



RoHS

293 SPA Series

Thin Lip Flat Suction Cup

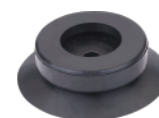
- ◇ Diameter: 10-50mm
- ◇ Material: N WS CN CS



PAPER



ANTI-DEFORMATION



RoHS

Suction cups

Products overview

Suction cups

302 SPD Series

Thin Lip Flat Suction Cup

- ◇ Diameter: 10-15mm
- ◇ Material: N WS



PAPER



334 SH Series

Heavy Load Flat Suction Cup

- ◇ Diameter: 40-125mm
- ◇ Material: N WS



METAL SHEET



WOOD



HEAVY LOAD



304 SPF Series

Flat Suction Cup

- ◇ Diameter: 2-200mm
- ◇ Material: N WS CN CS



UNIVERSAL



341 SHB Series

Heavy Load Bellows Suction Cup

- ◇ Diameter: 40-125mm
- ◇ Material: N WS



METAL SHEET



WOOD



HEAVY LOAD



CURVED SURFACE



316 SPC Series

Bellows Suction Cup

- ◇ Diameter: 3-90mm
- ◇ Material: N WS CN CS



PACKAGING



PLASTIC



ELECTRONICS



348 SBB Series

1.5 Bellows Big Suction Cup

- ◇ Diameter: 200-300mm
- ◇ Material: N



HEAVY LOAD



322 SPJ Series

Bellows Suction Cup

- ◇ Diameter: 4-80mm
- ◇ Material: N WS CN CS HP



PACKAGING



PLASTIC



350 SOP Series

Circular Foam Rubber Cup

- ◇ Diameter: 40-220mm
- ◇ Material: NF OF



STONE



ROUGH SURFACE



331 SPU Series

Swivel Flat Suction Cup

- ◇ Diameter: 10-100mm
- ◇ Material: N WS



METAL SHEET



WOOD



CURVED SURFACE



352 SNP Series

Rectangular Foam Rubber Cup

- ◇ Size: 50×135-140×290mm
- ◇ Material: NF OF



STONE



ROUGH SURFACE



SZ Series

Standard Suction Cup

AIRBEST



Features

- ◇ Available in various shapes: U type, C type, B type and D type
- ◇ Simple structure
- ◇ Conductive material available
- ◇ Available in various sizes

Advantages

- ◇ Small size and light weight
- ◇ Suitable for workpieces of various sizes and shapes



B-Bellows type

D-Deep type

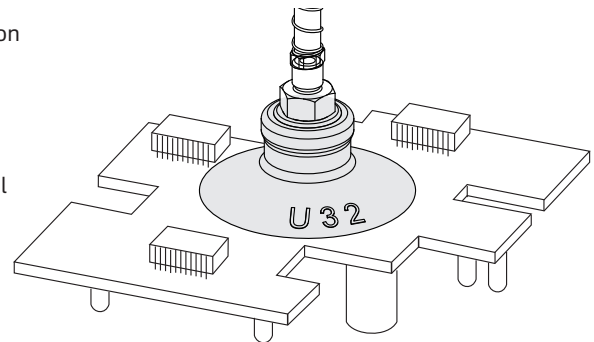


U-Flat type

C-Flat type with ribs

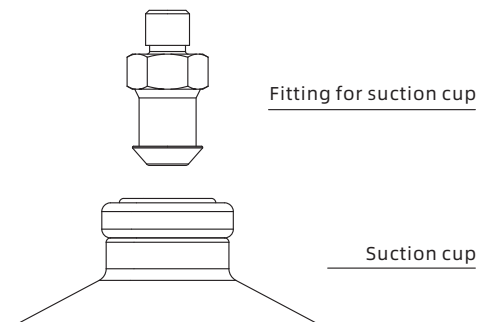
Applications

- ◇ U type suitable for workpieces with even surface and without deformation
- ◇ C type suitable for easily deformed workpieces
- ◇ B type suitable for workpieces with inclined surface
- ◇ D type suitable for spherical objects
- ◇ Suitable for handling of paper box, small sized semiconductor, spherical objects and food, ect.
- ◇ Conductive material suitable for 3C industry



Structure

- ◇ Split structure for easy replacement of wearing parts



SZ Series

Standard Suction Cup

How to order

SZ B 10 N
 ① ② ③ ④

① Series	② Suction cup type	③ Diameter		④ Material & Hardness	
SZ	U - Flat	2 - φ2mm	16 - φ16mm	N - NBR	50
	C - Flat with ribs	4 - φ4mm	20 - φ20mm	WS - White silicone	45
	B - 1.5 bellows	6 - φ6mm	25 - φ25mm	CN - Conductive NBR	55
	D - Deep	8 - φ8mm	32 - φ32mm	CS - Conductive silicone	55
		10 - φ10mm	40 - φ40mm	HP - Mark free rubber	50
		13 - φ13mm	50 - φ50mm		

◇ Note: HP material is not for all sizes. Please contact AIRBEST if need

Selection

Diameter of suction cup	Suction cup type			
	U - Flat	C - Flat with ribs	B - 1.5 Bellows	D - Deep
φ2	SZU2□	-	-	-
φ4	SZU4□	-	-	-
φ6	SZU6□	-	SZB6□	-
φ8	SZU8□	-	SZB8□	-
φ10	SZU10□	SZC10□	SZB10□	SZD10□
φ13	SZU13□	SZC13□	SZB13□	-
φ16	SZU16□	SZC16□	SZB16□	SZD16□
φ20	SZU20□	SZC20□	SZB20□	-
φ25	SZU25□	SZC25□	SZB25□	SZD25□
φ32	SZU32□	SZC32□	SZB32□	-
φ40	SZU40□	SZC40□	SZB40□	SZD40□
φ50	SZU50□	SZC50□	SZB50□	-

- SZ
- SP3
- SUF
- SAN
- SAO
- SOFA
- STP
- SFT
- SFA
- SBT
- SBL
- SBLP
- SBS
- SFP
- SBP
- SXP
- SGP
- SBOF
- STC
- SFF
- SOB
- SOE
- SOG
- SFM
- SOM
- SBF
- SDM
- SFU
- SFK
- SHT
- SDL
- SFG
- SFGT
- SFD
- SB
- SBA
- SF
- SU
- SP2F
- SPA
- SPD
- SPF
- SPC
- SPJ
- SPU
- SH
- SHB
- SBB
- SOP
- SNP

SZ Series

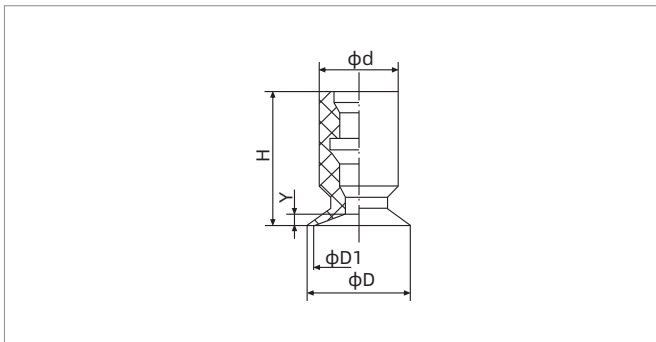
Standard Suction Cup

Technical parameters

Diameter of suction cup	Pull-out force N	Inner volume(cm ³)				Recommended hose dia. mm	MPQ pcs
		SZU	SZC	SZB	SZD		
φ2	0.15	< 0.1	-	-	-	4	10
φ4	0.6	< 0.1	-	-	-	4	10
φ6	1.2	< 0.1	-	< 0.1	-	4	10
φ8	2.2	< 0.1	-	< 0.1	-	4	10
φ10	3.5	0.15	0.15	0.3	0.3	6	10
φ13	6	0.2	0.2	0.9	-	6	10
φ16	9.6	0.3	0.3	1.3	0.6	6	10
φ20	15	0.6	0.6	2.2	-	6	5
φ25	24	0.9	0.9	3.3	1.5	6	5
φ32	38	1.6	1.6	7.2	-	6	5
φ40	60	3.5	3.5	15	9	6	1
φ50	92	6	6	25	-	6	1

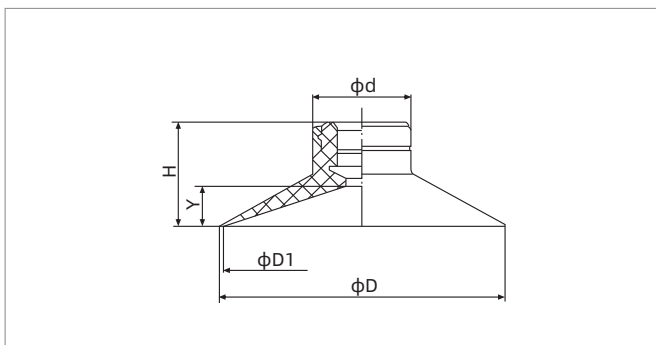
◇ Note: Testing vacuum level -60kPa, workpiece with smooth and clean surface. The data of pull-out force as above are figured out without considering safety factor. The data may be different according to different workpiece surfaces. Recommend the length of vacuum hose to be as short as possible, max 2m.

Dimensions(mm)



SZU2-8

Model/Size	D	D1	H	d	Y	Weight g
SZU2□	2.6	2	12	7	0.5	0.3
SZU4□	4.8	4	12	7	0.8	0.3
SZU6□	7	6	12	7	0.8	0.4
SZU8□	9	8	12	7	1	0.4



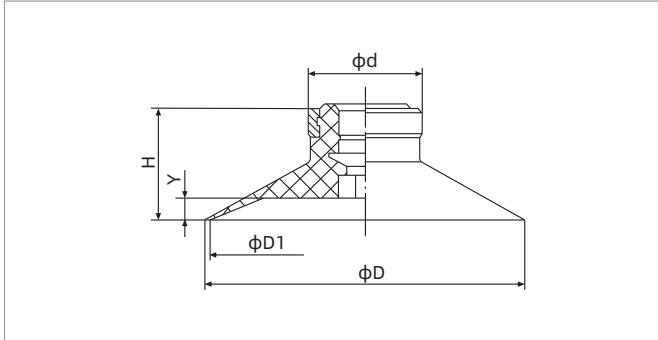
SZU10-50

Model/Size	D	D1	H	d	Y	Weight g
SZU10□	12	10	12	13	3	0.8
SZU13□	15	13	12	13	3	0.8
SZU16□	18	16	12.5	13	3.5	0.9
SZU20□	23	20	14	15	4	1.6
SZU25□	28	25	14	15	4	1.8
SZU32□	35	32	14.5	15	4.5	2.3
SZU40□	43	40	18.5	18	6.5	5.5
SZU50□	53	50	19.5	18	7.5	6.9

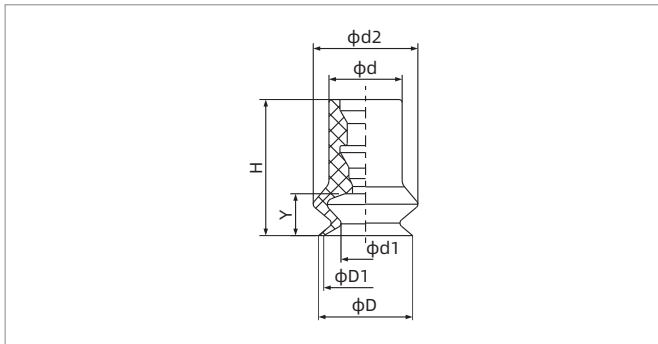
SZ Series

Standard Suction Cup

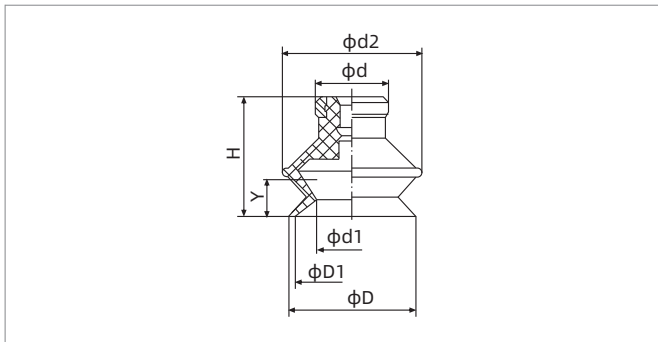
Dimensions(mm)



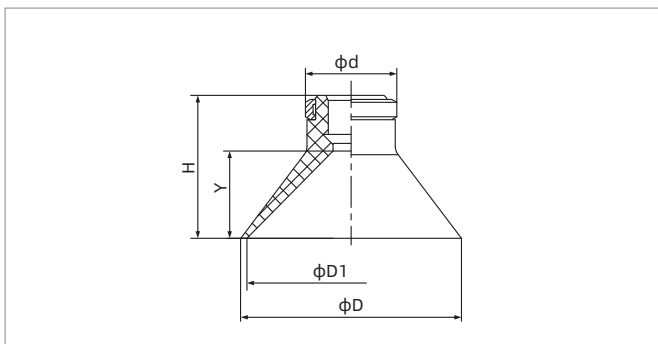
SZC10-50



SZB6-8



SZB10-50



SZD10-40

◇ Note: The dimensional tolerance conforms to GBT3672.1-2002-1 M3 rubber product dimensional tolerance standard

Model/Size	D	D1	H	d	Y	Weight g
SZC10□	12	10	12	13	1.7	0.8
SZC13□	15	13	12	13	1.8	1.0
SZC16□	18	16	12.5	13	1.2	0.9
SZC20□	23	20	14	15	1.7	1.6
SZC25□	28	25	14	15	1.8	2.1
SZC32□	35	32	14.5	15	2.3	2.4
SZC40□	43	40	18.5	18	3.3	5.5
SZC50□	53	50	19.5	18	3.8	7.3

Model/Size	D	D1	H	d	d1	d2	Y	Weight g
SZB6□	7	6	13	7	3.3	9.1	4	0.4
SZB8□	9	8	13	7	4.7	10.1	4	0.4

Model/Size	D	D1	H	d	d1	d2	Y	Weight g
SZB10□	12	10	16	13	5.5	13.8	4	1.1
SZB13□	15	13	18.5	13	8.7	19	4	1.7
SZB16□	18	16	20	13	9.9	21	4	2.1
SZB20□	22	20	23.5	15	12.4	25	4	2.9
SZB25□	27	25	24	15	15.6	28	4	3.9
SZB32□	34	32	29	15	18.9	37	4	6.7
SZB40□	43	40	34	18	24.4	48	4	13.3
SZB50□	53	50	38	18	32.4	57	4	18.8

Model/Size	D	D1	H	d	Y	Weight g
SZD10□	12	10	15	13	6	1.0
SZD16□	18	16	16	13	7	1.2
SZD25□	28	25	20	15	10	1.8
SZD40□	43.5	40	28	18	17	5.9

- SZ
- SP3
- SUF
- SAN
- SAO
- SOFA
- STP
- SFT
- SFA
- SBT
- SBL
- SBLP
- SBS
- SFP
- SBP
- SXP
- SGP
- SBOF
- STC
- SFF
- SOB
- SOE
- SOG
- SFM
- SOM
- SBF
- SDM
- SFU
- SFK
- SHT
- SDL
- SFG
- SFGT
- SFD
- SB
- SBA
- SF
- SU
- SP2F
- SPA
- SPD
- SPF
- SPC
- SPJ
- SPU
- SH
- SHB
- SBB
- SOP
- SNP

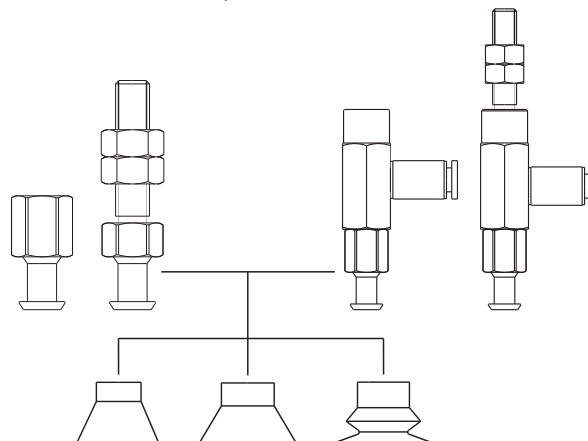
SZ Series

Suction Cup with Locking Fitting

Structure

- ◇ Consisting of replacement suction cup and locking fitting
- ◇ Plug-in fitting for suction cup
- ◇ Vertical vacuum port, male and female thread for mounting
- ◇ Lateral vacuum port, male and female thread for mounting

In the same series, replacement suction cup and locking fitting can be combined as required



How to order

SZU10N - LA6 - M5M

① ② ③

① Model	② Vacuum port direction	③ Mounting thread
SZU10N	Nil - Vertical	M5M - M5×0.8 male thread
SZC	LA4 - Lateral, one-touch fitting φ4 hose	M6M - M6×1 male thread
SZB	LA6 - Lateral, one-touch fitting φ6 hose	M8M - M8×1 male thread
SZD		M5F - M5×0.8 female thread
		M8F - M8×1.25 female thread

◇ Please refer to page 155 for suction cup selection

Selection

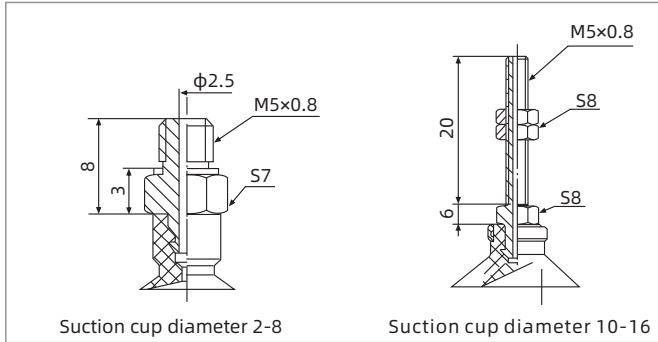
Diameter of suction cup	Vacuum port direction			Mounting thread				
	Nil	LA4	LA6	M5M	M6M	M8M	M5F	M8F
2-8	●	●	●	●	-	-	●	-
10-16	●	●	●	●	-	-	●	-
20-32	●	●	●	-	●	-	●	-
40-50	●	-	●	-	-	●	-	●

◇ Note: "●" default, in stock, "-" unavailable

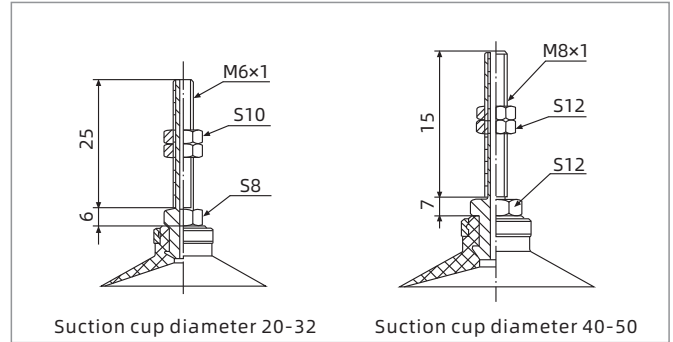
SZ Series

Suction Cup with Locking Fitting

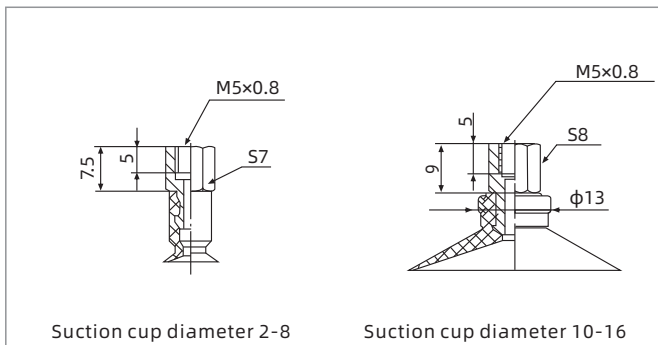
Dimensions(mm)



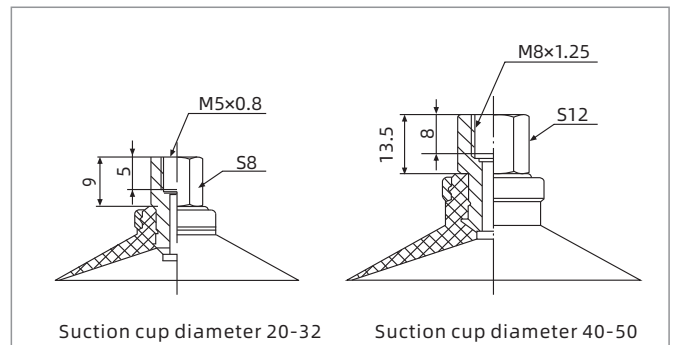
Vertical-Male thread connection



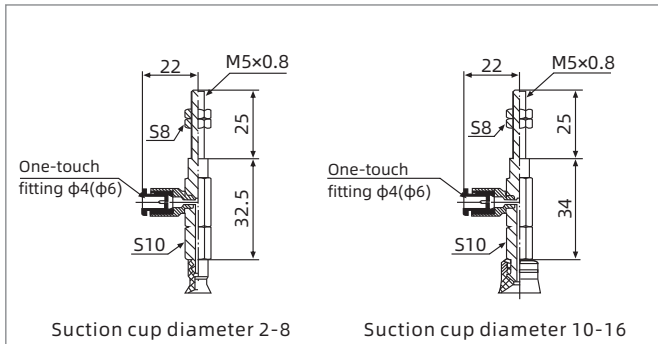
Vertical-Male thread connection



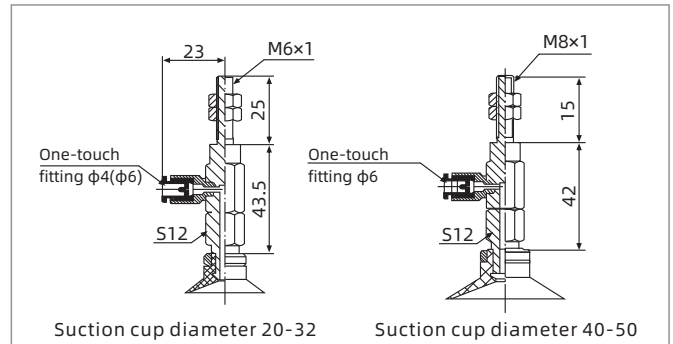
Vertical-Female thread connection



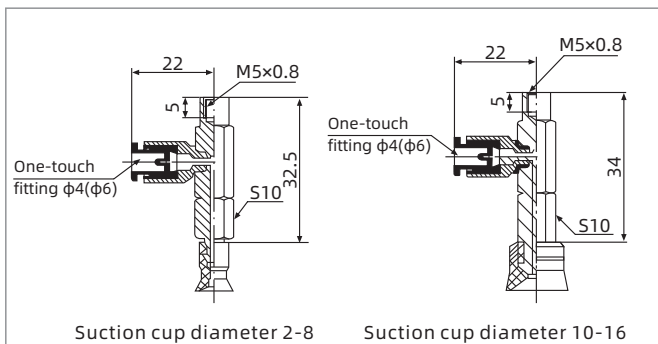
Vertical-Female thread connection



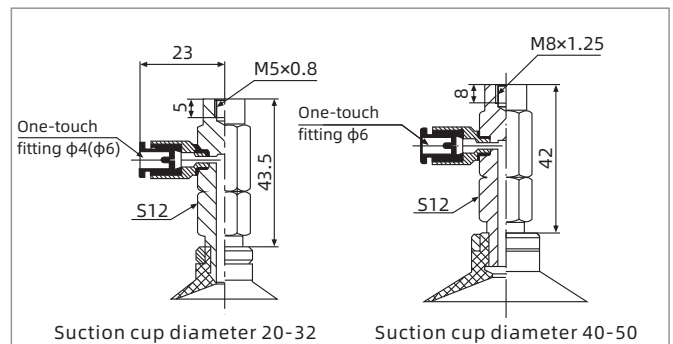
Lateral-Male thread connection



Lateral-Male thread connection



Lateral-Female thread connection



Lateral-Female thread connection

SZ

SP3

SUF

SAN

SAO

SOFA

STP

SFT

SFA

SBT

SBL

SBLP

SBS

SFP

SBP

SXP

SGP

SBOF

STC

SFF

SOB

SOE

SOG

SFM

SOM

SBF

SDM

SFU

SFK

SHT

SDL

SFG

SFGT

SFD

SB

SBA

SF

SU

SP2F

SPA

SPD

SPF

SPC

SPJ

SPU

SH

SHB

SBB

SOP

SNP

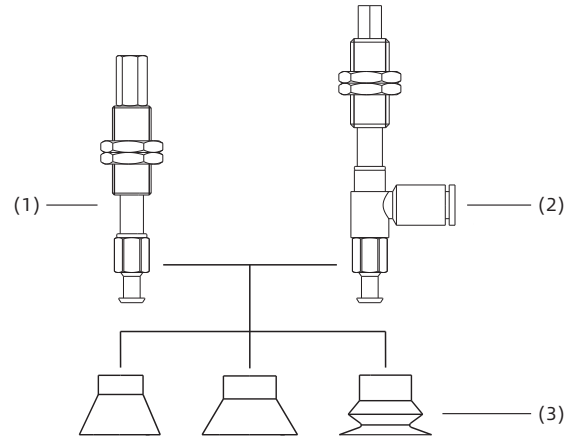
SZ Series

Suction Cup with Level Compensator

Structure

- ◇ Consisting of replacement suction cup(3) and level compensator
- ◇ Plug-in fitting for suction cup
- ◇ Vertical vacuum port(1), male thread for mounting
- ◇ Lateral vacuum port(2), male thread for mounting

In the same series, replacement suction cup and locking fitting can be combined as required



How to order

SZU10N - E I 10 R A6 - M10

① ② ③ ④ ⑤ ⑥ ⑦

① Model	② Level compensator type	③ Buffer type	④ Buffer stroke	⑤ Rotary type	⑥ Vacuum port connection	⑦ Mounting thread
SZU10N	E - PSPE Series	I - Internal spring	6 20	Nil - Vertical rotating	Nil - M5x0.8 female thread	M8 - M8x1
SZC			10 30	R - Vertical non-rotating	A4 - one-touch fitting φ4 hose	M10 - M10x1
SZB			15 40	L - Lateral rotating	A6 - one-touch fitting φ6 hose	M14 - M14x1
SZD			25 50	B - Lateral non-rotating	B4 - Pagoda fitting φ4 hose B6 - Pagoda fitting φ6 hose	

◇ Please refer to page 155 for suction cup selection

Selection

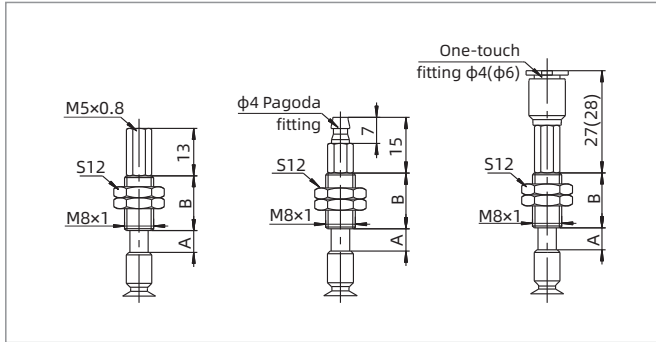
Diameter of suction cup	Buffer stroke	Rotary type				Vacuum port connection					Mounting thread
		Nil	R	L	B	Nil	A4	A6	B4	B6	
2-8	6, 10, 15, 25	●	●	●	●	●	●	●	●	-	M8
10-32	10, 20, 30, 40, 50	●	●	●	●	●	●	●	-	●	M10
40-50	10, 20, 30, 50	●	-	-	-	●	-	-	-	-	M14

◇ Note: "●" default, in stock, "-" unavailable

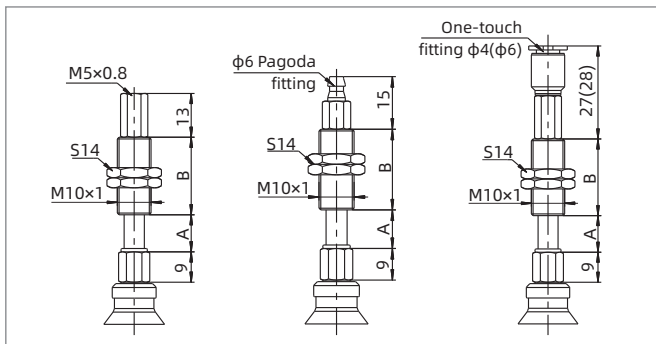
SZ Series

Suction Cup with Level Compensator

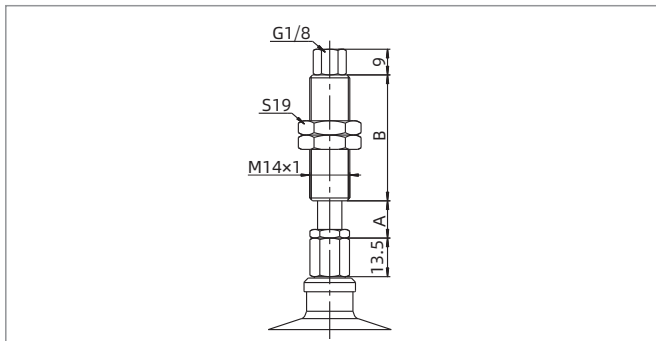
Dimensions(mm)



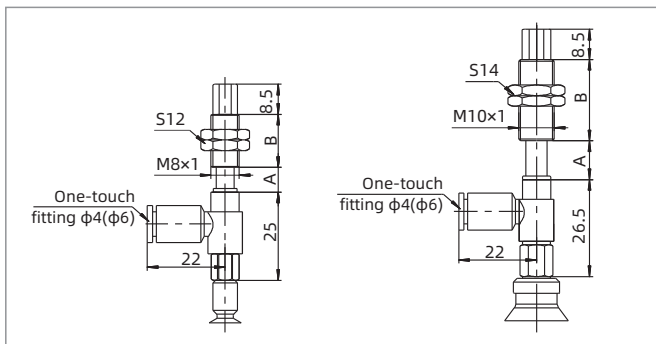
Vertical direction Suction cup diameter 2-8



Vertical direction Suction cup diameter 10-32



Vertical direction Suction cup diameter 40-50



Lateral direction Suction cup diameter 2-8 Suction cup diameter 10-32

Suction cup dia./ Size	A	B	Buffer stroke	F1 (N)	F2 (N)
2-8	6	15	6	0.8	1.2
	11	43	10	0.8	1.2
	16	43	15	0.8	1.2
	26	43	25	0.8	1.2

Suction cup dia./ Size	A	B	Buffer stroke	F1 (N)	F2 (N)
10-32	11.5	23	10	1.0	3.0
	21.5	51	20	1.0	3.0
	31.5	51	30	1.0	3.0
	41.5	77	40	1.0	3.0
	51.5	77	50	1.0	3.0

Suction cup dia./ Size	A	B	Buffer stroke	F1 (N)	F2 (N)
40-50	13	44	10	2.0	5.5
	23	44	20	2.0	5.5
	33	44	30	2.0	5.5
	53	75	50	2.0	5.5

Suction cup dia./ Size	A	B	Buffer stroke	F1 (N)	F2 (N)
2-8	8	15	6	0.8	1.2
	11	43	10	0.8	1.2
	16	43	15	0.8	1.2
	26	43	25	0.8	1.2
10-32	11	23	10	1.0	3.0
	21	51	20	1.0	3.0
	31	51	30	1.0	3.0
	41	77	40	1.0	3.0
	51	77	50	1.0	3.0

◇ Note: "F1" means spring force at 0 stroke, "F2" means spring force at max. stroke

- SZ
- SP3
- SUF
- SAN
- SAO
- SOFA
- STP
- SFT
- SFA
- SBT
- SBL
- SBLP
- SBS
- SFP
- SBP
- SXP
- SGP
- SBOF
- STC
- SFF
- SOB
- SOF
- SOG
- SFM
- SOM
- SBF
- SDM
- SFU
- SFK
- SHT
- SDL
- SFG
- SFGT
- SFD
- SB
- SBA
- SF
- SU
- SP2F
- SPA
- SPD
- SPF
- SPC
- SPJ
- SPU
- SH
- SHB
- SBB
- SOP
- SNP

SP3 Series

Suction Cup



Features

- ◇ Suction cups of same diameter among U/C/B types use same fitting
- ◇ Small size, short height
- ◇ Available in conductive material

Advantages

- ◇ Used in various occasions, suction cups are interchangeable
- ◇ Suitable for occasions with limited space
- ◇ Discharge static electricity gently to protect workpieces from damage



U-Flat



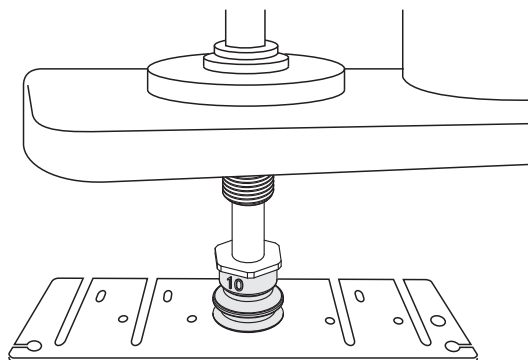
C-Flat with ribs



B-1.5 bellows

Applications

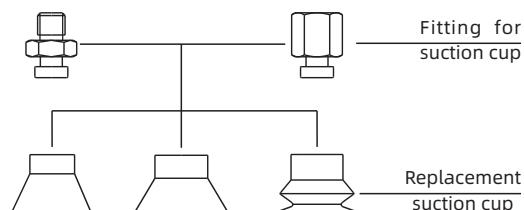
- ◇ U type suitable for workpieces with even surface and without deformation
- ◇ C type suitable for easily deformed workpieces
- ◇ B type suitable for workpieces with inclined surface
- ◇ Suitable for handling of workpieces with small size and light weight
- ◇ Conductive material suitable for 3C industry



Structure

- ◇ Split structure for easy replacement of wearing parts

In the same series, replacement suction cup and locking fitting can be combined as required



SP3 Series

Suction Cup

How to order

SP3 B 10 N - M5M
 ① ② ③ ④ ⑤

① Series	② Suction cup type	③ Diameter	④ Material & Hardness	⑤ Connection thread	
SP3	U - Flat	1.5 - ϕ 1.5mm	2 - ϕ 2mm	N - NBR 55	Nil - Suction cup only
	C - Flat with ribs	3.5 - ϕ 3.5mm	4 - ϕ 4mm	WS - White silicone 50	M3F - M3 \times 0.5 female thread
	B - 1.5 Bellows	10 - ϕ 10mm	6 - ϕ 6mm	CN - Conductive NBR 55	M5F - M5 \times 0.8 female thread
		13 - ϕ 13mm	8 - ϕ 8mm	CS - Conductive silicone 55	M3M - M3 \times 0.5 male thread
		16 - ϕ 16mm	HP - Mark free rubber 55	M5M - M5 \times 0.8 male thread	

◇ Note: HP material is not for all sizes. Please contact AIRBEST if need

Selection

Diameter of suction cup	Suction cup type			Connection thread				MPQ pcs
	U	C	B	M3F	M3M	M5F	M5M	
ϕ 1.5	●	-	-	●	●	-	-	10
ϕ 2	●	-	-	●	●	-	-	10
ϕ 3.5	●	-	-	●	●	-	-	10
ϕ 4	-	●	●	-	-	●	●	10
ϕ 6	-	●	●	-	-	●	●	10
ϕ 8	-	●	●	-	-	●	●	10
ϕ 10	-	●	●	-	-	●	●	10
ϕ 13	-	●	●	-	-	●	●	10
ϕ 16	-	●	●	-	-	●	●	10

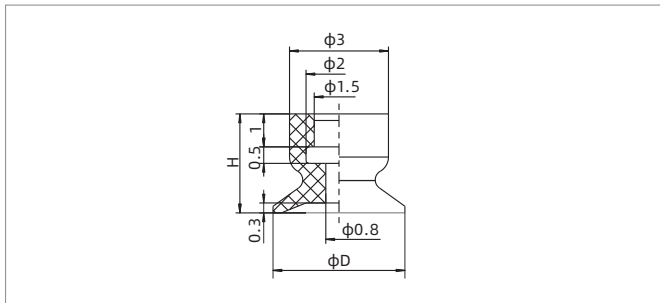
◇ Note: "●" default, in stock, "-" unavailable

- SZ
- SP3
- SUF
- SAN
- SAO
- SOFA
- STP
- SFT
- SFA
- SBT
- SBL
- SBLP
- SBS
- SFP
- SBP
- SXP
- SGP
- SBOF
- STC
- SFF
- SOB
- SOF
- SOG
- SFM
- SOM
- SBF
- SDM
- SFU
- SFK
- SHT
- SDL
- SFG
- SFGT
- SFD
- SB
- SBA
- SF
- SU
- SP2F
- SPA
- SPD
- SPF
- SPC
- SPJ
- SPU
- SH
- SHB
- SBB
- SOP
- SNP

SP3 Series

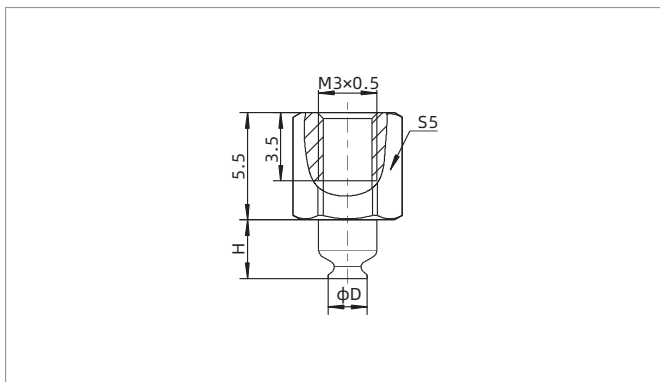
Suction Cup

Dimensions(mm) - U type



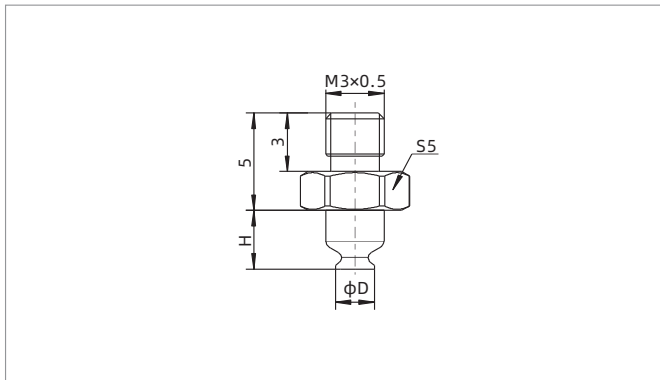
SP3U1.5-3.5

Model/Size	D	H	Weight g
SP3U1.5□	2.0	3.0	0.1
SP3U2□	2.5	3.0	0.1
SP3U3.5□	4.0	3.0	0.1



SP3U1.5-3.5 F - Female thread connection

Model/Size	D	H	Weight g
SP3U1.5□-M3F	2.0	3.0	0.9
SP3U2□-M3F	2.5	3.0	0.9
SP3U3.5□-M3F	4.0	3.0	0.9



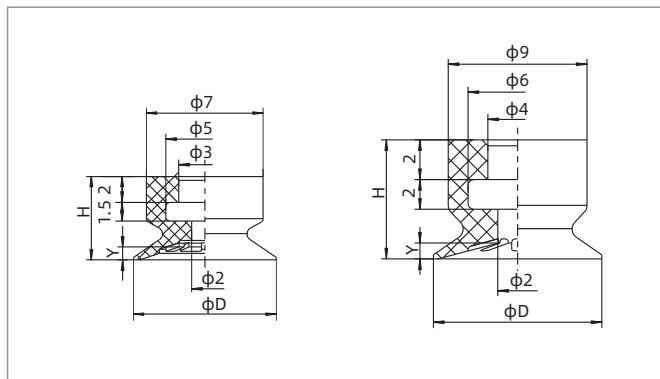
SP3U1.5-3.5 M - Male thread connection

Model/Size	D	H	Weight g
SP3U1.5□-M3M	2.0	3.0	0.6
SP3U2□-M3M	2.5	3.0	0.6
SP3U3.5□-M3M	4.0	3.0	0.6

SP3 Series

Suction Cup

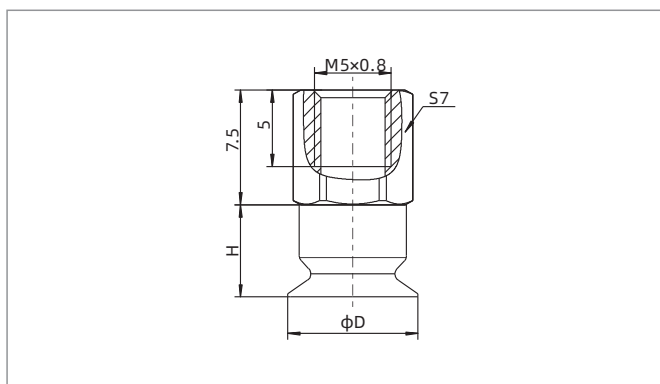
Dimensions(mm) - C type



SP3C4-8

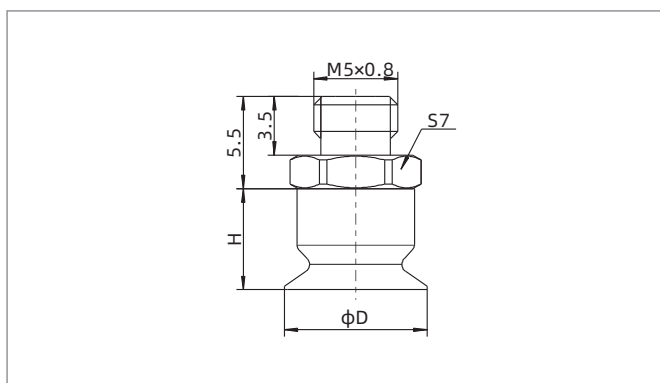
SP3C10-16

Model/Size	D	H	Y	Weight g
SP3C4□	4.5	6.0	0.5	0.3
SP3C6□	6.5	6.0	0.8	0.3
SP3C8□	8.5	6.0	0.8	0.3
SP3C10□	11.0	7.0	1.0	0.6
SP3C13□	14.0	7.0	1.2	0.7
SP3C16□	17.0	7.0	1.2	0.8



SP3C4-16 F - Female thread connection

Model/Size	D	H	Weight g
SP3C4□-M5F	4.5	6.0	2.3
SP3C6□-M5F	6.5	6.0	2.3
SP3C8□-M5F	8.5	6.0	2.3
SP3C10□-M5F	11.0	7.0	5.7
SP3C13□-M5F	14.0	7.0	5.8
SP3C16□-M5F	17.0	7.0	5.9



SP3C4-16 M - Male thread connection

Model/Size	D	H	Weight g
SP3C4□-M5M	4.5	6.0	1.7
SP3C6□-M5M	6.5	6.0	1.7
SP3C8□-M5M	8.5	6.0	1.7
SP3C10□-M5M	11.0	7.0	3.0
SP3C13□-M5M	14.0	7.0	3.1
SP3C16□-M5M	17.0	7.0	3.2

SZ

SP3

SUF

SAN

SAO

SOFA

STP

SFT

SFA

SBT

SBL

SBLP

SBS

SFP

SBP

SXP

SGP

SBOF

STC

SFF

SOB

SOE

SOG

SFM

SOM

SBF

SDM

SFU

SFK

SHT

SDL

SFG

SFGT

SFD

SB

SBA

SF

SU

SP2F

SPA

SPD

SPF

SPC

SPJ

SPU

SH

SHB

SBB

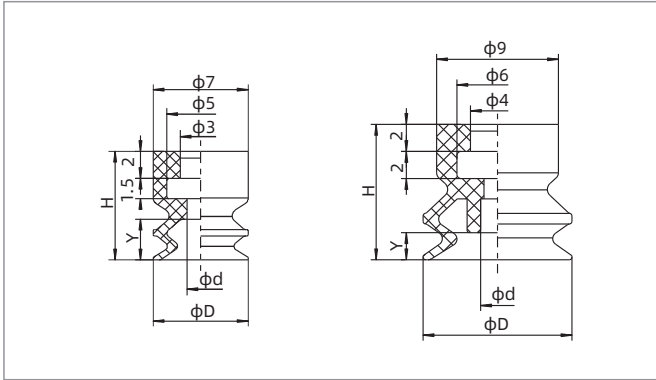
SOP

SNP

SP3 Series

Suction Cup

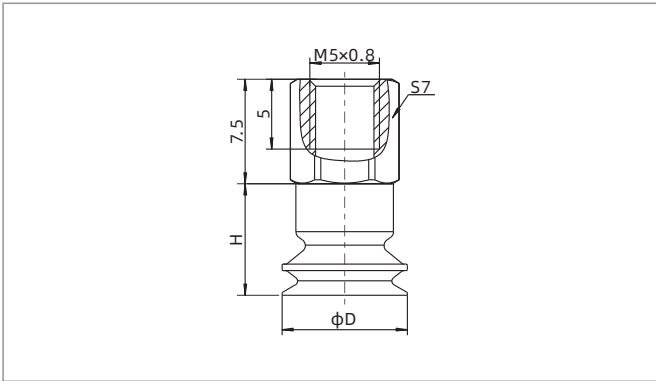
Dimensions(mm) - B type



SP3B4-8

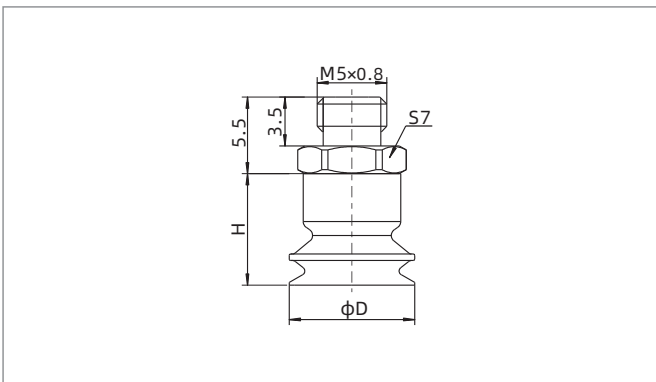
SP3B10-16

Model/Size	D	H	d	Y	Weight g
SP3B4□	4.5	8.0	1.8	2.2	0.3
SP3B6□	7.0	8.0	2.0	3.0	0.3
SP3B8□	9.0	8.0	2.0	3.0	0.4
SP3B10□	11.0	10.0	2.0	2.0	0.8
SP3B13□	14.0	10.0	3.0	2.0	1.0
SP3B16□	17.0	10.0	3.0	2.0	1.1



SP3B4-16 F - Female thread connection

Model/Size	D	H	Weight g
SP3B4□-M5F	4.5	8.0	2.3
SP3B6□-M5F	7.0	8.0	2.3
SP3B8□-M5F	9.0	8.0	2.4
SP3B10□-M5F	11.0	10.0	5.9
SP3B13□-M5F	14.0	10.0	6.1
SP3B16□-M5F	17.0	10.0	6.2



SP3B4-16 M - Male thread connection

◇ Note: The dimensional tolerance conforms to the GB/T 3672.1-2002-1 M3 rubber product dimensional tolerance standard

Model/Size	D	H	Weight g
SP3B4□-M5M	4.5	8.0	1.7
SP3B6□-M5M	7.0	8.0	1.7
SP3B8□-M5M	9.0	8.0	1.8
SP3B10□-M5M	11.0	10.0	3.2
SP3B13□-M5M	14.0	10.0	3.4
SP3B16□-M5M	17.0	10.0	3.5

Mounting parts

Item	Model		Applicable suction cup
	Female thread	Male thread	
Fitting for suction cup	PJS-M3F-ST0.5	PJS-M3M-ST0.5	SP3U1.5, 2, 3.5
	PJS-M5F-ST1.5	PJS-M5M-ST1.5	SP3C4, 6, 8; SP3B4, 6, 8
	PJS-M5F-ST2	PJS-M5M-ST2-A	SP3C10, 13, 16; SP3B10, 13, 16

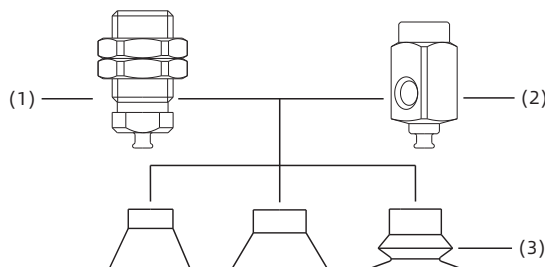
SP3 Series

Suction Cup with Locking Fitting

Structure

- ◇ Consisting of replacement suction cup(3) and locking fitting(1 or 2)
- ◇ Plug-in fitting for suction cup
- ◇ Vertical vacuum port(1), male thread for mounting
- ◇ Lateral vacuum port(2), female thread for mounting

In the same series, replacement suction cup and locking fitting can be combined as required



How to order

SP3B10N - L M5F - M5F
 ① ② ③ ④

① Model	② Vacuum port direction	③ Vacuum port connection	④ Mounting thread
SP3B10N	Nil - Vertical	M3F - M3×0.5 female thread	M3F - M3×0.5 female thread
	L - Lateral	M5F - M5×0.8 female thread	M5F - M5×0.8 female thread M6M - M6×0.75 male thread M10M - M10×1 male thread M12M - M12×1 male thread

◇ Please refer to page 163 for suction cup selection

Selection

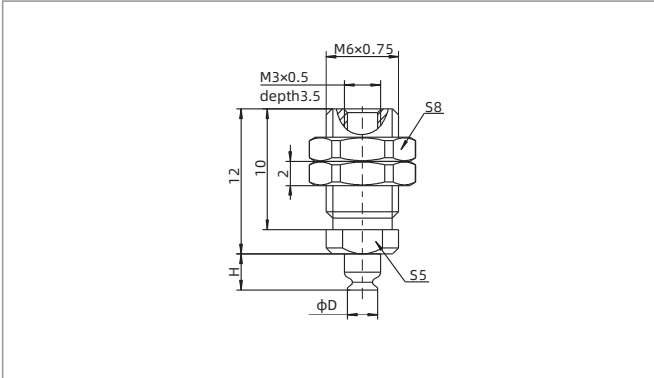
Model	Nil-Vertical Vacuum port connection	Mounting thread	L- Lateral Vacuum port connection	Mounting thread
SP3U1.5-3.5	M3F	M6M	M3F	M3F
SP3C4-8	M5F	M10M	M5F	M5F
SP3C10-16	M5F	M12M	M5F	M5F
SP3B4-8	M5F	M10M	M5F	M5F
SP3B10-16	M5F	M12M	M5F	M5F

SZ
 SP3
 SUF
 SAN
 SAO
 SOFA
 STP
 SFT
 SFA
 SBT
 SBL
 SBLP
 SBS
 SFP
 SBP
 SXP
 SGP
 SBOF
 STC
 SFF
 SOB
 SOF
 SOG
 SFM
 SOM
 SBF
 SDM
 SFU
 SFK
 SHT
 SDL
 SFG
 SFGT
 SFD
 SB
 SBA
 SF
 SU
 SP2F
 SPA
 SPD
 SPF
 SPC
 SPJ
 SPU
 SH
 SHB
 SBB
 SOP
 SNP

SP3 Series

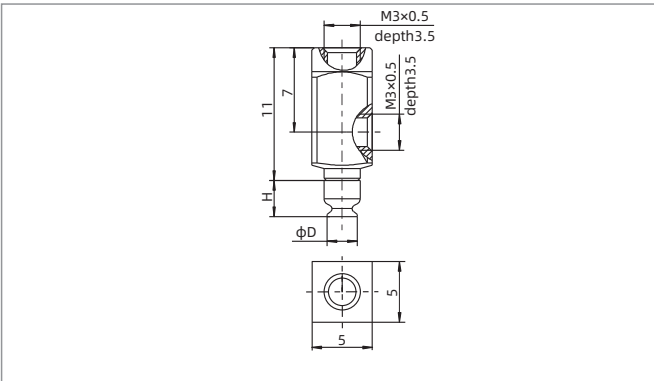
Suction Cup with Locking Fitting

Dimensions(mm) - U type



SP3U1.5-3.5 Vertical-Male thread connection

Model/Size	D	H	Weight g
SP3U1.5□-M3F-M6M	2.0	3.0	2.8
SP3U2□-M3F-M6M	2.5	3.0	2.8
SP3U3.5□-M3F-M6M	4.0	3.0	2.8



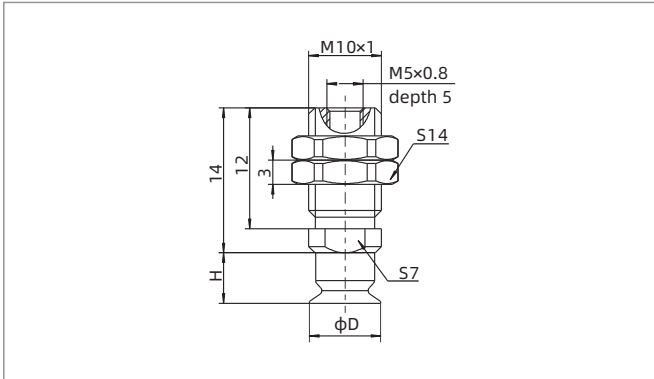
SP3U1.5-3.5 Lateral-Female thread connection

Model/Size	D	H	Weight g
SP3U1.5□-LM3F-M3F	2.0	3.0	1.9
SP3U2□-LM3F-M3F	2.5	3.0	1.9
SP3U3.5□-LM3F-M3F	4.0	3.0	1.9

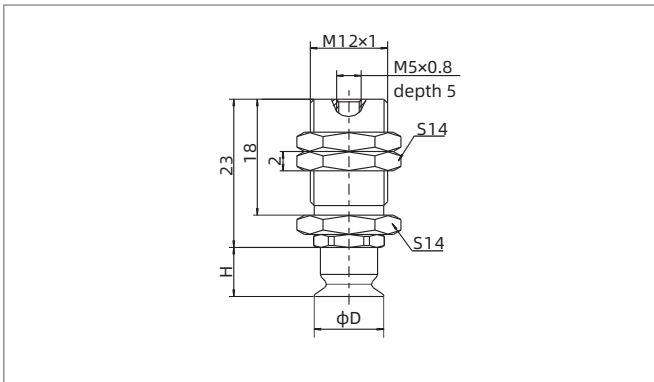
SP3 Series

Suction Cup with Locking Fitting

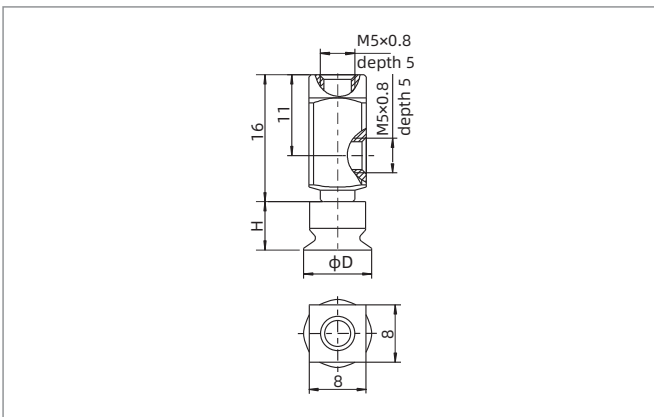
Dimensions(mm) - C type



SP3C4-8 Vertical-Male thread connection



SP3C10-16 Vertical-Male thread connection



SP3C4-16 Lateral-Female thread connection

Model/Size	D	H	Weight g
SP3C4□-M5F-M10M	4.5	6.0	11.0
SP3C6□-M5F-M10M	6.5	6.0	11.0
SP3C8□-M5F-M10M	8.5	6.0	11.0

Model/Size	D	H	Weight g
SP3C10□-M5F-M12M	11.0	7.0	18.8
SP3C13□-M5F-M12M	14.0	7.0	18.9
SP3C16□-M5F-M12M	17.0	7.0	19.0

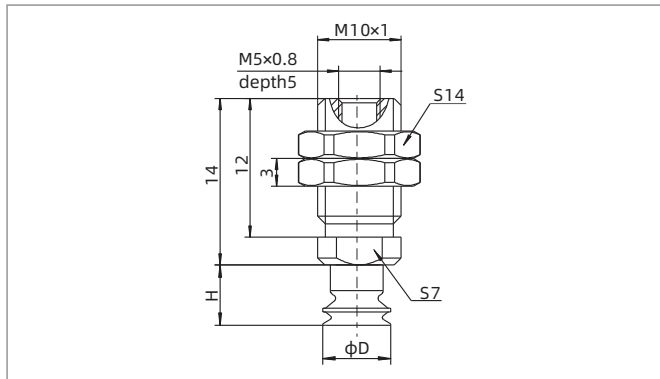
Model/Size	D	H	Weight g
SP3C4□-LM5F-M5F	4.5	6.0	7.0
SP3C6□-LM5F-M5F	6.5	6.0	7.0
SP3C8□-LM5F-M5F	8.5	6.0	7.0
SP3C10□-LM5F-M5F	11.0	7.0	7.7
SP3C13□-LM5F-M5F	14.0	7.0	7.8
SP3C16□-LM5F-M5F	17.0	7.0	7.9

- SZ
- SP3
- SUF
- SAN
- SAO
- SOFA
- STP
- SFT
- SFA
- SBT
- SBL
- SBLP
- SBS
- SFP
- SBP
- SXP
- SGP
- SBOF
- STC
- SFF
- SOB
- SOE
- SOG
- SFM
- SOM
- SBF
- SDM
- SFU
- SFK
- SHT
- SDL
- SFG
- SFGT
- SFD
- SB
- SBA
- SF
- SU
- SP2F
- SPA
- SPD
- SPF
- SPC
- SPJ
- SPU
- SH
- SHB
- SBB
- SOP
- SNP

SP3 Series

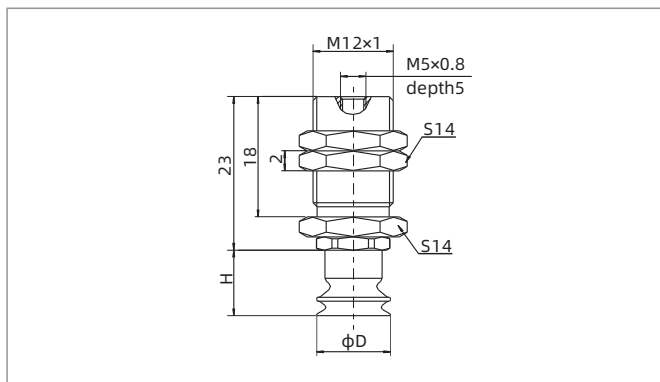
Suction Cup with Locking Fitting

Dimensions(mm) -B type



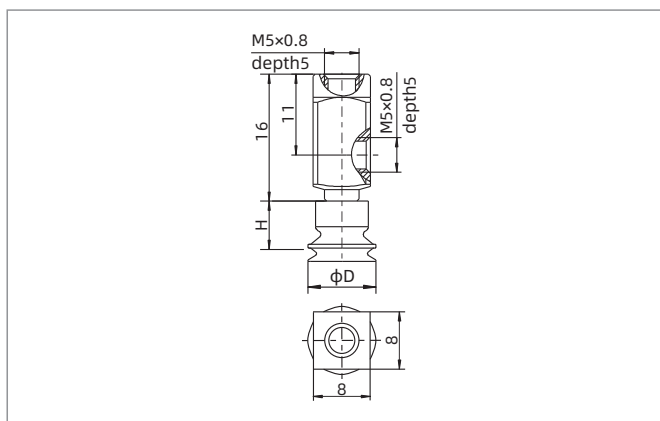
SP3B□□-M5F-M10M

Model/Size	D	H	Weight g
SP3B4□-M5F-M10M	4.5	8.0	11.0
SP3B6□-M5F-M10M	7.0	8.0	11.0
SP3B8□-M5F-M10M	9.0	8.0	11.1



SP3B□□-M5F-M12M

Model/Size	D	H	Weight g
SP3B10□-M5F-M12M	11.0	10.0	19.0
SP3B13□-M5F-M12M	14.0	10.0	19.2
SP3B16□-M5F-M12M	17.0	10.0	19.3



SP3B□□-LM5F-M5F

Model/Size	D	H	Weight g
SP3B4□-LM5F-M5F	4.5	8.0	7.0
SP3B6□-LM5F-M5F	7.0	8.0	7.0
SP3B8□-LM5F-M5F	9.0	8.0	7.1
SP3B10□-LM5F-M5F	11.0	10.0	7.9
SP3B13□-LM5F-M5F	14.0	10.0	8.1
SP3B16□-LM5F-M5F	17.0	10.0	8.2

Mounting parts

Item	Model		Applicable suction cup
	Vertical direction	Lateral direction	
Locking fitting	PJF-M3F-M6M-ST0.5	PJF-LM3F-M3F-ST0.5	SP3U1.5, 2, 3.5
	PJF-M5F-M10M-ST1.5	PJF-LM5F-M5F-ST1.5	SP3C4, 6, 8; SP3B4, 6, 8
	PJF-M5F-M12M-ST2	PJF-LM5F-M5F-ST2	SP3C10, 13, 16; SP3B10, 13, 16

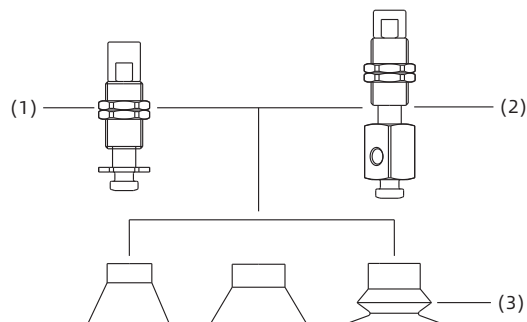
SP3 Series

Suction Cup with Level Compensator

Structure

- ◇ Consisting of replacement suction cup(3) and level compensator(1 or 2)
- ◇ Plug-in fitting for suction cup
- ◇ Vertical vacuum port(1), male thread for mounting
- ◇ Lateral vacuum port(2), male thread for mounting

In the same series, replacement suction cup and level compensator can be combined as required



How to order

SP3B10N - I 10 R - M8
 ① ② ③ ④ ⑤

① Model	② Vacuum port direction	③ Buffer stroke	④ Rotary type	⑤ Mounting thread
SP3B10N	I - Vertical	3 15	Nil - Rotating	M6 - M6×0.75
	L - Lateral	6 20	R - Non-rotating	M8 - M8×0.75
		10		

◇ Please refer to page 163 for suction cup selection

Selection

Model	Vacuum port direction		Rotary type		Buffer stroke	Mounting thread
	I-Vertical	L-Lateral	Nil-Rotating	R-Non-rotating		
SP3U1.5-3.5	●	●	●	-	3 6	M6
SP3U1.5-3.5	●	●	-	●	3 6	M8
SP3C4-16	●	●	●	●	3 6 10 15 20	M8
SP3B4-16	●	●	●	●	3 6 10 15 20	M8

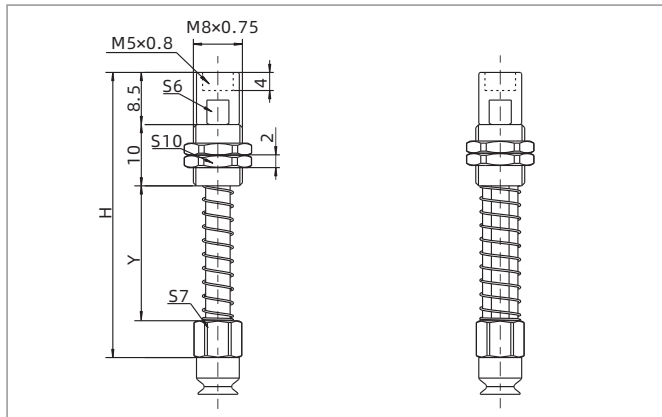
◇ Note: "●" default, in stock, "-" unavailable

- SZ
- SP3
- SUF
- SAN
- SAO
- SOFA
- STP
- SFT
- SFA
- SBT
- SBL
- SBLP
- SBS
- SFP
- SBP
- SXP
- SGP
- SBOF
- STC
- SFF
- SOB
- SOE
- SOG
- SFM
- SOM
- SBF
- SDM
- SFU
- SFK
- SHT
- SDL
- SFG
- SFGT
- SFD
- SB
- SBA
- SF
- SU
- SP2F
- SPA
- SPD
- SPF
- SPC
- SPJ
- SPU
- SH
- SHB
- SBB
- SOP
- SNP

SP3 Series

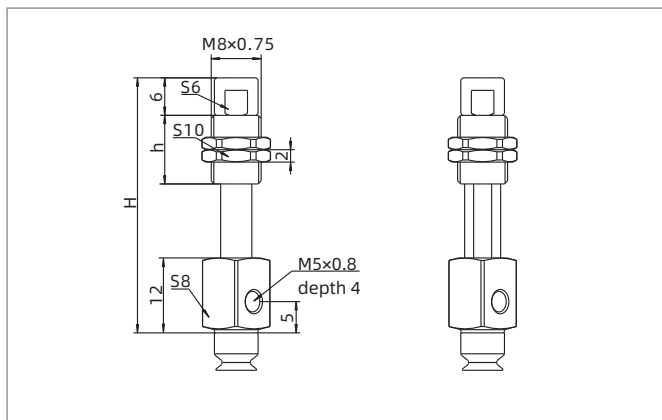
Suction Cup with Level Compensator

Dimensions(mm) -C type



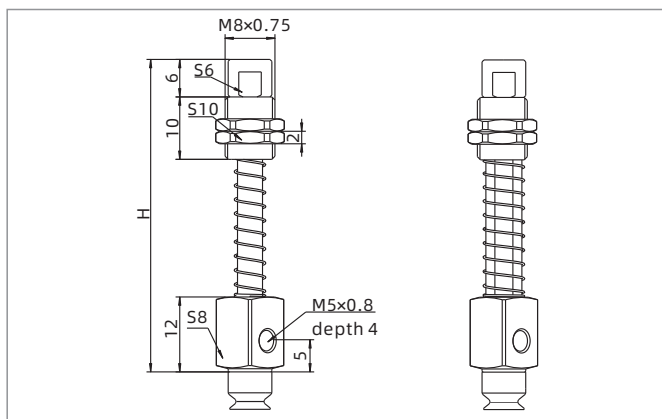
SP3C4-16 Vertical rotating

SP3C4-16 Vertical non-rotating



SP3C4-16 Lateral rotating

SP3C4-16 Lateral non-rotating



SP3C4-16 Lateral rotating

SP3C4-16 Lateral non-rotating

Model/Size	H	Y	Buffer stroke	F1 N	F2 N	Weight g
SP3C□-I15-M8	49.0	24.5	15	0.2	0.5	10.3
SP3C□-I15R-M8	49.0	24.5	15	0.2	0.5	12.3
SP3C□-I20-M8	56.5	32.0	20	0.2	0.5	10.9
SP3C□-I20R-M8	56.5	32.0	20	0.2	0.5	13.4

Model/Size	H	h	Buffer stroke	F1 N	F2 N	Weight g
SP3C□-L3-M8	33.0	11.0	3	0.2	0.5	12.8
SP3C□-L3R-M8	33.0	11.0	3	0.2	0.5	12.2
SP3C□-L6-M8	39.5	14.5	6	0.2	0.5	14.2
SP3C□-L6R-M8	39.5	14.5	6	0.2	0.5	13.4
SP3C□-L10-M8	49.5	20.5	10	0.2	0.5	16.6
SP3C□-L10R-M8	49.5	20.5	10	0.2	0.5	15.4

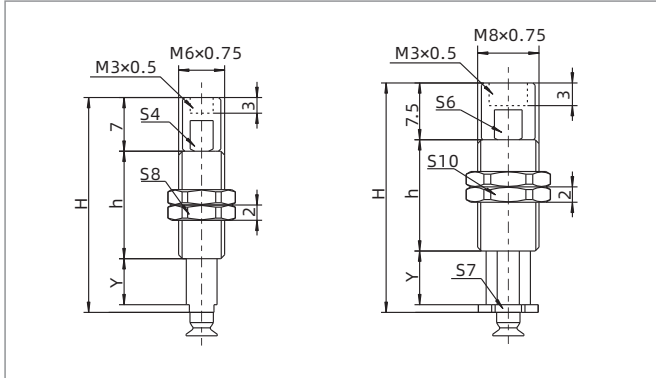
Model/Size	H	Buffer stroke	F1 N	F2 N	Weight g
SP3C□-L15-M8	52.5	15	0.2	0.5	16.3
SP3C□-L15R-M8	52.5	15	0.2	0.5	15.5
SP3C□-L20-M8	60.0	20	0.2	0.5	15.1
SP3C□-L20R-M8	60.0	20	0.2	0.5	16.6

◇ Note: 1. Please refer to page 163 for suction cup selection
 2. "F1" means spring force at 0 stroke, "F2" means spring force at max. stroke

SP3 Series

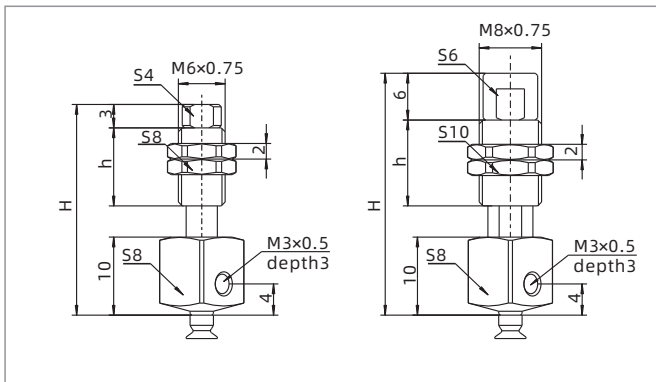
Suction Cup with Level Compensator

Dimensions(mm) -U type



SP3U1.5-3.5 Vertical rotating

SP3U1.5-3.5 Vertical non-rotating



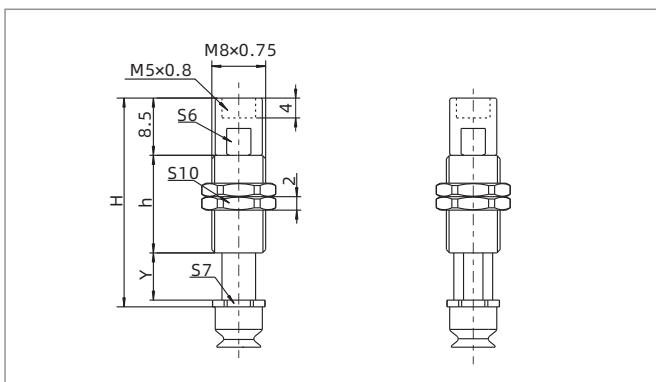
SP3U1.5-3.5 Lateral rotating

SP3U1.5-3.5 Lateral non-rotating

Model/Size	H	h	Y	Buffer stroke	F1 N	F2 N	Weight g
SP3U□-I3-M6	21.0	10.0	3.0	3	0.2	0.4	3.4
SP3U□-I3R-M8	23.5	11.0	3.0	6	0.2	0.5	6.8
SP3U□-I6-M6	28.0	14.0	6.0	3	0.2	0.5	4.4
SP3U□-I6R-M8	30.0	14.5	6.0	6	0.2	0.5	8.2

Model/Size	H	h	Buffer stroke	F1 N	F2 N	Weight g
SP3U□-L3-M6	27.0	10.0	3	0.2	0.4	7.7
SP3U□-L3R-M8	31.0	11.0	6	0.2	0.5	11.0
SP3U□-L6-M6	34.0	14.0	3	0.2	0.5	8.6
SP3U□-L6R-M8	37.5	14.5	6	0.2	0.5	12.2

Dimensions(mm) -C type



SP3C4-16 Vertical rotating

SP3C4-16 Vertical non-rotating

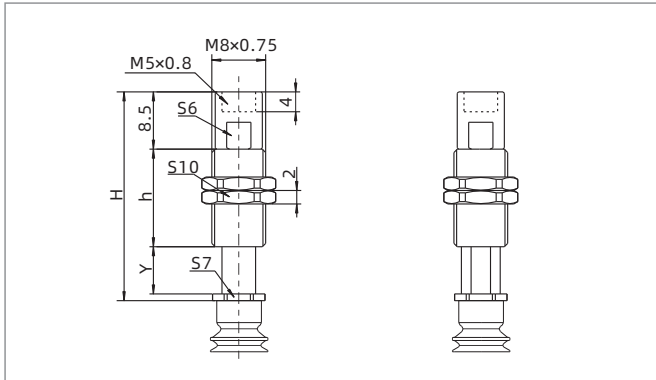
Model/Size	H	h	Y	Buffer stroke	F1 N	F2 N	Weight g
SP3C□-I3-M8	24.5	11.0	4.0	3	0.2	0.5	7.4
SP3C□-I3R-M8	24.5	11.0	4.0	3	0.2	0.5	7.3
SP3C□-I6-M8	31.0	14.5	7.0	6	0.2	0.5	8.6
SP3C□-I6R-M8	31.0	14.5	7.0	6	0.2	0.5	8.6
SP3C□-I10-M8	41.0	20.5	11.0	10	0.2	0.5	10.5
SP3C□-I10R-M8	41.0	20.5	11.0	10	0.2	0.5	10.5

◇ Note: 1. Please refer to page 163 for suction cup selection
2. "F1" means spring force at 0 stroke, "F2" means spring force at max. stroke

SP3 Series

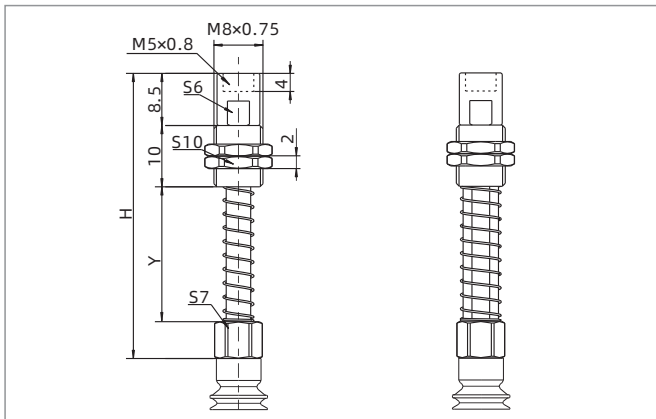
Suction Cup with Level Compensator

Dimensions(mm) -B type



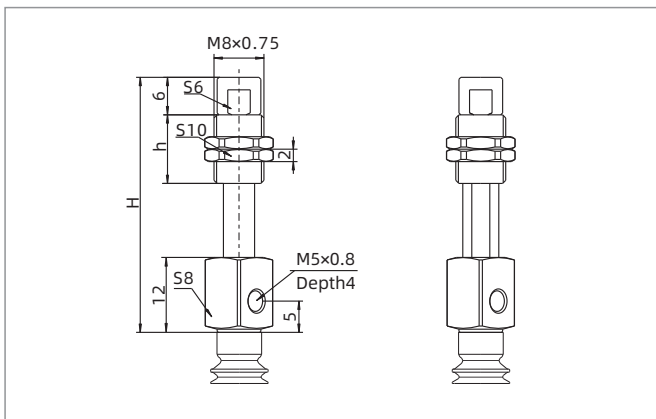
SP3B4-16 Vertical rotating

SP3B4-16 Vertical non-rotating



SP3B4-16 Vertical rotating

SP3B4-16 Vertical non-rotating



SP3B4-16 Lateral rotating

SP3B4-16 Lateral non-rotating

Model/Size	H	h	Y	Buffer stroke	F1 N	F2 N	Weight g
SP3B□-I3-M8	24.5	11.0	4	3	0.2	0.5	7.4
SP3B□-I3R-M8	24.5	11.0	4	3	0.2	0.5	7.3
SP3B□-I6-M8	31.0	14.5	7	6	0.2	0.5	8.6
SP3B□-I6R-M8	31.0	14.5	7	6	0.2	0.5	8.6
SP3B□-I10-M8	41.0	20.5	11	10	0.2	0.5	10.5
SP3B□-I10R-M8	41.0	20.5	11	10	0.2	0.5	10.5

Model/Size	H	Y	Buffer stroke	F1 N	F2 N	Weight g
SP3B□-I15-M8	49.0	24.5	15	0.2	0.5	10.3
SP3B□-I15R-M8	49.0	24.5	15	0.2	0.5	12.3
SP3B□-I20-M8	56.5	32.0	20	0.2	0.5	10.9
SP3B□-I20R-M8	56.5	32.0	20	0.2	0.5	13.4

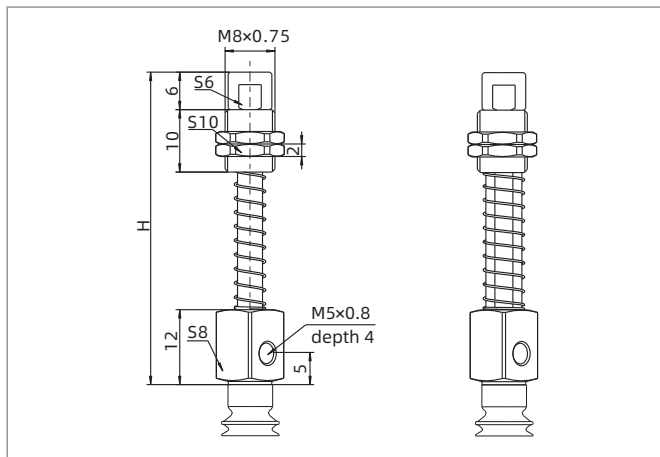
Model/Size	H	h	Buffer stroke	F1 N	F2 N	Weight g
SP3B□-L3-M8	33.0	11.0	3	0.2	0.5	12.8
SP3B□-L3R-M8	33.0	11.0	3	0.2	0.5	12.2
SP3B□-L6-M8	39.5	14.5	6	0.2	0.5	14.2
SP3B□-L6R-M8	39.5	14.5	6	0.2	0.5	13.4
SP3B□-L10-M8	49.5	20.5	10	0.2	0.5	16.6
SP3B□-L10R-M8	49.5	20.5	10	0.2	0.5	15.4

◇ Note: 1. Please refer to page 163 for suction cup selection
 2. "F1" means spring force at 0 stroke, "F2" means spring force at max. stroke

SP3 Series

Suction Cup with Level Compensator

Dimensions(mm) -B type



SP3B4-16 Lateral rotating

SP3B4-16 Lateral non-rotating

Model/Size	H	Buffer stroke	F1 N	F2 N	Weight g
SP3B□-L15-M8	52.5	15	0.2	0.5	16.3
SP3B□-L15R-M8	52.5	15	0.2	0.5	15.5
SP3B□-L20-M8	59.5	20	0.2	0.5	15.1
SP3B□-L20R-M8	59.5	20	0.2	0.5	16.6

◇ Note: 1. Please refer to page 163 for suction cup selection
 2. "F1" means spring force at 0 stroke, "F2" means spring force at max. stroke

Mounting parts - Level compensator

Model Vertical rotating	Vertical non-rotating	Model Lateral rotating	Lateral non-rotating	Buffer stroke	Applicable suction cup
PSP3-I3ST0.5-M6	PSP3-I3RST0.5-M8	PSP3-L3ST0.5-M6	PSP3-L3RST0.5-M8	3	SP3U1.5, 2, 3.5
PSP3-I6ST0.5-M6	PSP3-I6RST0.5-M8	PSP3-L6ST0.5-M6	PSP3-L6RST0.5-M8	6	
PSP3-I3ST1.5-M8	PSP3-I3RST1.5-M8	PSP3-L3ST1.5-M8	PSP3-L3RST1.5-M8	3	SP3C4, 6, 8; SP3B4, 6, 8
PSP3-I6ST1.5-M8	PSP3-I6RST1.5-M8	PSP3-L6ST1.5-M8	PSP3-L6RST1.5-M8	6	
PSP3-I10ST1.5-M8	PSP3-I10RST1.5-M8	PSP3-L10ST1.5-M8	PSP3-L10RST1.5-M8	10	
PSP3-I15ST1.5-M8	PSP3-I15RST1.5-M8	PSP3-L15ST1.5-M8	PSP3-L15RST1.5-M8	15	
PSP3-I20ST1.5-M8	PSP3-I20RST1.5-M8	PSP3-L20ST1.5-M8	PSP3-L20RST1.5-M8	20	
PSP3-I3ST2-M8	PSP3-I3RST2-M8	PSP3-L3ST2-M8	PSP3-L3RST2-M8	3	SP3C10, 13, 16; SP3B10, 13, 16
PSP3-I6ST2-M8	PSP3-I6RST2-M8	PSP3-L6ST2-M8	PSP3-L6RST2-M8	6	
PSP3-I10ST2-M8	PSP3-I10RST2-M8	PSP3-L10ST2-M8	PSP3-L10RST2-M8	10	
PSP3-I15ST2-M8	PSP3-I15RST2-M8	PSP3-L15ST2-M8	PSP3-L15RST2-M8	15	
PSP3-I20ST2-M8	PSP3-I20RST2-M8	PSP3-L20ST2-M8	PSP3-L20RST2-M8	20	

SZ
 SP3
 SUF
 SAN
 SAO
 SOFA
 STP
 SFT
 SFA
 SBT
 SBL
 SBLP
 SBS
 SFP
 SBP
 SXP
 SGP
 SBOF
 STC
 SFF
 SOB
 SOF
 SOG
 SFM
 SOM
 SBF
 SDM
 SFU
 SFK
 SHT
 SDL
 SFG
 SFGT
 SFD
 SB
 SBA
 SF
 SU
 SP2F
 SPA
 SPD
 SPF
 SPC
 SPJ
 SPU
 SH
 SHB
 SBB
 SOP
 SNP

SUF Series

Small Flat Suction Cup



Features

- ◇ Standard flat lip
- ◇ Small size, light weight

Advantages

- ◇ Good airtightness, suitable for handling workpiece with smooth and even surface
- ◇ Suitable for handling small workpieces in electronic industry



Applications

- ◇ Suitable for handling small workpieces, such as electronic components, sheet metal, solar wafer, etc.

Structure

- ◇ Suction cup and fitting are split structure design, wearing parts can be replaced separately.

How to order

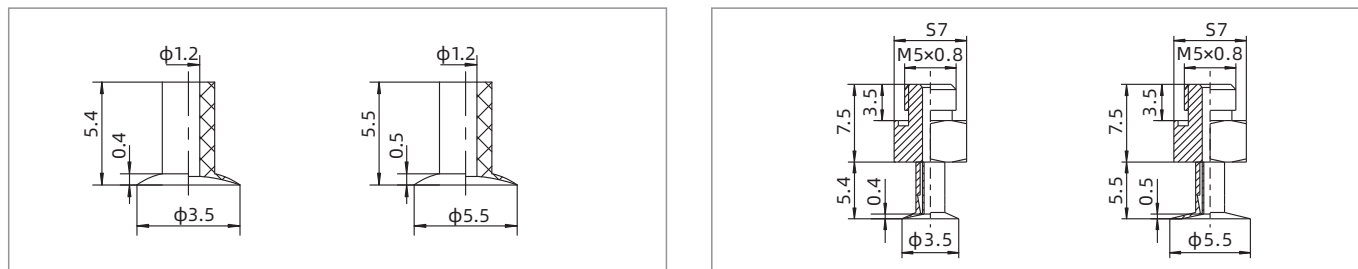
SUF 3.5 N - M5M
 ① ② ③ ④

① Series	② Diameter	③ Material & Hardness	④ Connection thread
SUF	3.5 - ϕ 3.5mm	N - NBR 55	Nil - Suction cup only
	5.5 - ϕ 5.5mm	S - Silicone 50	M5M - M5×0.8 male thread

Selection

Model	Connection thread M - Male thread	MPQ pcs	Weight g
SUF3.5N SUF3.5S	SUF3.5N-M5M SUF3.5S-M5M	10	0.1
SUF5.5N SUF5.5S	SUF5.5N-M5M SUF3.5S-M5M	10	0.1

Dimensions(mm)



SUF3.5

SUF5.5

SUF3.5□-M5M

SUF5.5□-M5M

◇ Note: The dimensional tolerance conforms to GBT3672.1-2002-1 M3 rubber product dimensional tolerance standard

Mounting parts

Item	Model	Applicable suction cup
Fitting for suction cup	PJS-M5M-SUF5.5	SUF3.5,5.5

SAN Series

Nozzle Suction Cup



Features

- ◇ Nozzle design
- ◇ Small diameter
- ◇ Conductive material available

Advantages

- ◇ Fast handling of mini type workpieces
- ◇ Ideal for occasions with limited space

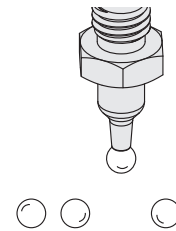


Applications

- ◇ Handling of mini type electronic components and thin sheet metal
- ◇ Handling of workpieces of small size and light weight
- ◇ Conductive material is suitable for electronic industry

Structure

- ◇ Split structure for easy replacement of wearing parts



How to order

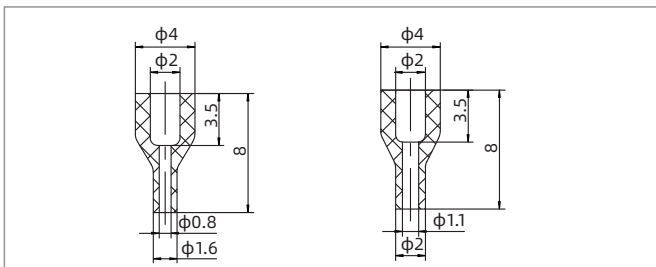
SAN 1.1 N - M5M

① ② ③ ④

① Series	② Diameter	③ Material & Hardness	④ Connection thread
SAN	0.8 - ϕ 0.8mm 1.1 - ϕ 1.1mm	N - NBR	55
		WS - White silicone	50
		CN - Conductive NBR	55
		CS - Conductive silicone	55
			Nil - Suction cup only M5M - M5x0.8 male thread

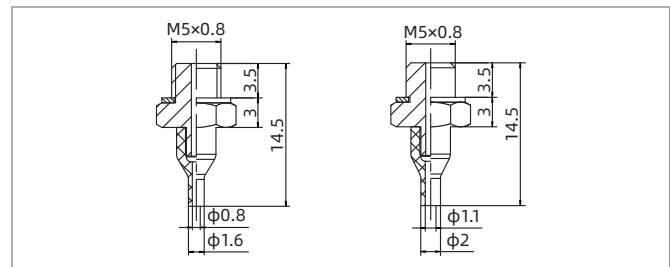
◇ Note: Min. package: 10pcs/bag

Dimensions(mm)



SAN0.8

SAN1.1



SAN0.8□-M5M

SAN1.1□-M5M

◇ Note: The dimensional tolerance conforms to the GB/T 3672.1-2002-1 M3 rubber product dimensional tolerance standard

Mounting parts

Item	Model	Applicable suction cup
Fitting for suction cup	PJS-M5M-SAN1.1	SAN0.8, 1.1

SAO Series

Oval Flat Suction Cup

AIRBEST



ELECTRONICS

RoHS

Features

- ◇ Oval and Flat structure
- ◇ Conductive material available
- ◇ Various sizes available

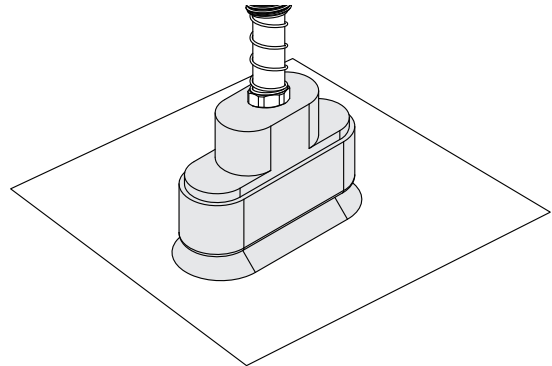
Advantages

- ◇ Small sizes, large suction force, suitable for handling of long and narrow workpieces
- ◇ Discharge static electricity gently to protect workpieces from damage
- ◇ Suitable for workpieces of various sizes and shapes



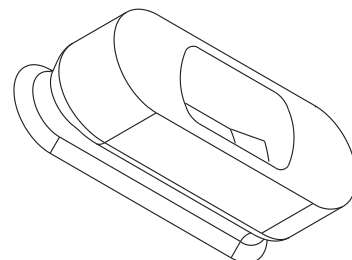
Applications

- ◇ Handling of long and narrow workpieces with even surface
- ◇ Handling of electronic components
- ◇ Conductive material is suitable for 3C industry



Structure

- ◇ Split structure for easy replacement of wearing parts



SAO Series

Oval Flat Suction Cup

How to order

SAO 8x20 N

① ② ③

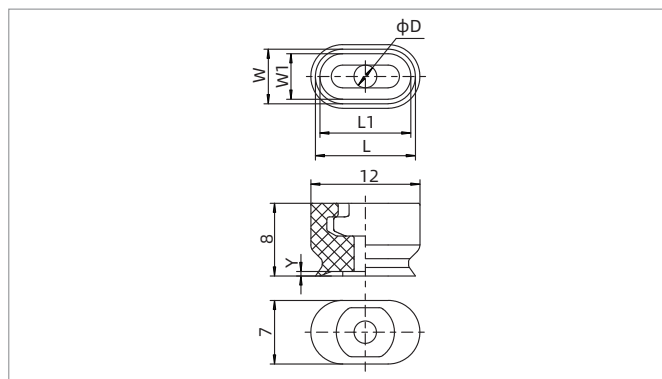
① Series	② Size	③ Material & Hardness
SAO	3.5x7 6x20	N - NBR 55
	4x10 8x20	WS - White silicone 50
	5x10 4x30	CN - Conductive NBR 55
	6x10 5x30	CS - Conductive silicone 55
	4x20 6x30	
	5x20 8x30	

Technical parameters

Model	Pull-out force N	Inner volume cm ³	Min. Curve radius of workpiece mm	Weight g	Recommended hose dia. mm	MPQ pcs
SAO3.5x7	0.9	<0.1	6	0.5	4	10
SAO4x10	1.6	<0.1	7	0.4	4	10
SAO5x10	2	<0.1	9	0.4	4	10
SAO6x10	2.4	<0.1	13	0.5	4	10
SAO4x20	3.2	<0.1	8	0.8	4	10
SAO5x20	4.2	<0.1	11	0.7	4	10
SAO6x20	5	<0.1	14	0.9	4	10
SAO8x20	6.5	<0.1	16	0.9	4	10
SAO4x30	5.2	<0.1	8	1.3	4	10
SAO5x30	6.5	<0.1	10	1.1	4	10
SAO6x30	7.8	<0.1	14	1.2	4	10
SAO8x30	10.2	0.1	18	1.3	4	10

◇ Note: Testing vacuum level -60kPa, workpiece with smooth and clean surface. The data of pull-out force as above are figured out without considering safety factor. The data may be different according to different workpiece surfaces. Recommend the length of vacuum hose to be as short as possible, max 2m.

Dimensions(mm)



Model/Size	W	L	W1	L1	D	Y
SAO3.5x7 □	4.5	8	3.5	7	2-1.5	0.5
SAO4x10 □	5	11	4	10	2-1.5	0.5
SAO5x10 □	6	11	5	10	2.5	0.5
SAO6x10 □	7	11	6	10	2.5	0.5

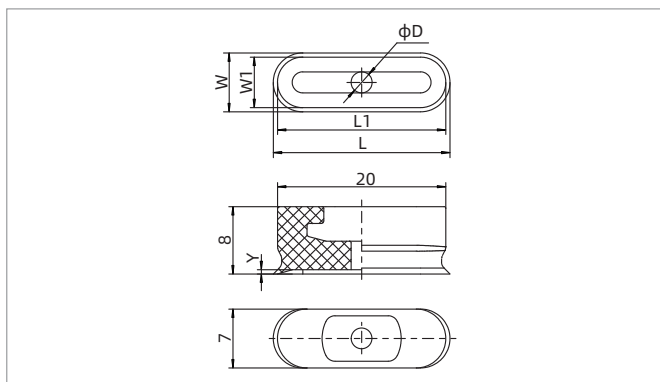
SAO

- SZ
- SP3
- SUF
- SAN
- SAO
- SOFA
- STP
- SFT
- SFA
- SBT
- SBL
- SBLP
- SBS
- SFP
- SBP
- SXP
- SGP
- SBOF
- STC
- SFF
- SOB
- SOF
- SOG
- SFM
- SOM
- SBF
- SDM
- SFU
- SFK
- SHT
- SDL
- SFG
- SFGT
- SFD
- SB
- SBA
- SF
- SU
- SP2F
- SPA
- SPD
- SPF
- SPC
- SPJ
- SPU
- SH
- SHB
- SBB
- SOP
- SNP

SAO Series

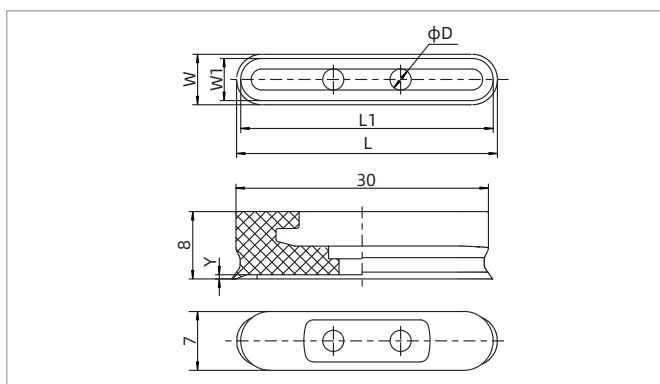
Oval Flat Suction Cup

Dimensions(mm)



Model/Size	W	L	W1	L1	D	Y
SAO4×20□	5	21	4	20	2-1.8	0.5
SAO5×20□	6	21	5	20	2-2	0.5
SAO6×20□	7	21	6	20	2.5	0.5
SAO8×20□	9	21	8	20	3	0.8

SAO



Model/Size	W	L	W1	L1	D	Y
SAO4×30□	5	31	4	30	2-1.8	0.5
SAO5×30□	6	31	5	30	2-2.5	0.5
SAO6×30□	7	31	6	30	2-2.5	0.5
SAO8×30□	9	31	8	30	2-2.5	0.8

SAO

◇ Note: The dimensional tolerance conforms to the GB/T 3672.1-2002-1 M3 rubber product dimensional tolerance standard

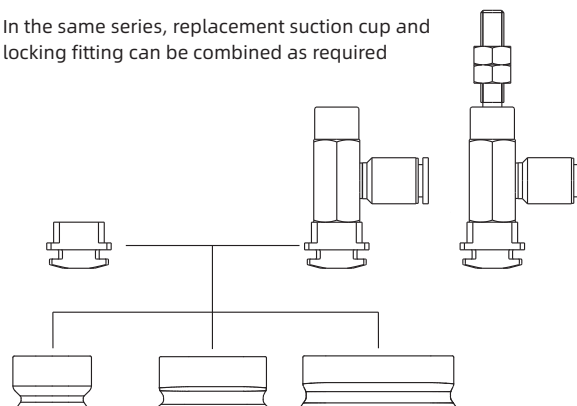
SAO Series

Suction Cup with Locking Fitting

Structure

- ◇ Consisting of replacement suction cup and locking fitting
- ◇ Plug-in fitting for suction cup
- ◇ Vertical vacuum port, female thread for mounting
- ◇ Lateral vacuum port, male and female thread for mounting

In the same series, replacement suction cup and locking fitting can be combined as required



- SZ
- SP3
- SUF
- SAN
- SAO**
- SOFA
- STP
- SFT
- SFA
- SBT
- SBL
- SBLP
- SBS
- SFP
- SBP
- SXP
- SGP
- SBOF
- STC
- SFF
- SOB
- SOF
- SOG
- SFM
- SOM
- SBF
- SDM
- SFU
- SFK
- SHT
- SDL
- SFG
- SFGT
- SFD
- SB
- SBA
- SF
- SU
- SP2F
- SPA
- SPD
- SPF
- SPC
- SPJ
- SPU
- SH
- SHB
- SBB
- SOP
- SNP

How to order

SAO5×20N - LA6 - M5F

① ② ③

① Model	② Vacuum port direction	③ Mounting thread
SAO5×20N	Nil - Vertical LA4 - Lateral, one-touch fitting φ4 hose LA6 - Lateral, one-touch fitting φ6 hose	M5M - M5×0.8 male thread M5F - M5×0.8 female thread

◇ Please refer to page 179 for suction cup selection

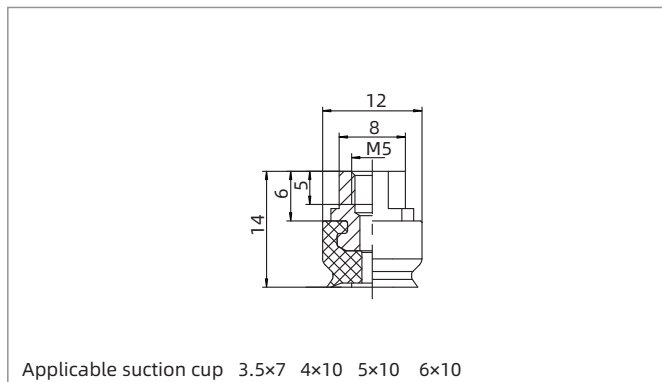
Selection

Connection thread M - Male thread		F - Female thread		
SAO3.5×7□-LA4-M5M	SAO3.5×7□-LA6-M5M	SAO3.5×7□-LA4-M5F	SAO3.5×7□-LA6-M5F	SAO3.5×7□-M5F
SAO4×10□-LA4-M5M	SAO4×10□-LA6-M5M	SAO4×10□-LA4-M5F	SAO4×10□-LA6-M5F	SAO4×10□-M5F
SAO5×10□-LA4-M5M	SAO5×10□-LA6-M5M	SAO5×10□-LA4-M5F	SAO5×10□-LA6-M5F	SAO5×10□-M5F
SAO6×10□-LA4-M5M	SAO6×10□-LA6-M5M	SAO6×10□-LA4-M5F	SAO6×10□-LA6-M5F	SAO6×10□-M5F
SAO4×20□-LA4-M5M	SAO4×20□-LA6-M5M	SAO4×20□-LA4-M5F	SAO4×20□-LA6-M5F	SAO4×20□-M5F
SAO5×20□-LA4-M5M	SAO5×20□-LA6-M5M	SAO5×20□-LA4-M5F	SAO5×20□-LA6-M5F	SAO5×20□-M5F
SAO6×20□-LA4-M5M	SAO6×20□-LA6-M5M	SAO6×20□-LA4-M5F	SAO6×20□-LA6-M5F	SAO6×20□-M5F
SAO8×20□-LA4-M5M	SAO8×20□-LA6-M5M	SAO8×20□-LA4-M5F	SAO8×20□-LA6-M5F	SAO8×20□-M5F
SAO4×30□-LA4-M5M	SAO4×30□-LA6-M5M	SAO4×30□-LA4-M5F	SAO4×30□-LA6-M5F	SAO4×30□-M5F
SAO5×30□-LA4-M5M	SAO5×30□-LA6-M5M	SAO5×30□-LA4-M5F	SAO5×30□-LA6-M5F	SAO5×30□-M5F
SAO6×30□-LA4-M5M	SAO6×30□-LA6-M5M	SAO6×30□-LA4-M5F	SAO6×30□-LA6-M5F	SAO6×30□-M5F
SAO8×30□-LA4-M5M	SAO8×30□-LA6-M5M	SAO8×30□-LA4-M5F	SAO8×30□-LA6-M5F	SAO8×30□-M5F

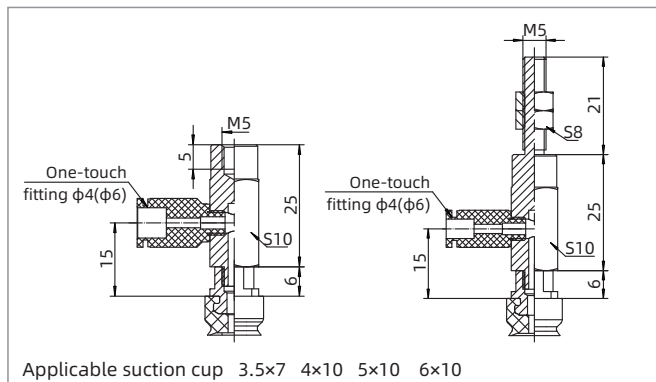
SAO Series

Suction Cup with Locking Fitting

Dimensions(mm)

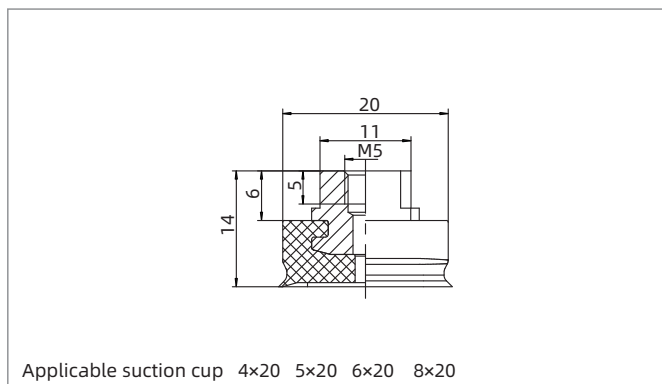


Vertical-Female thread connection

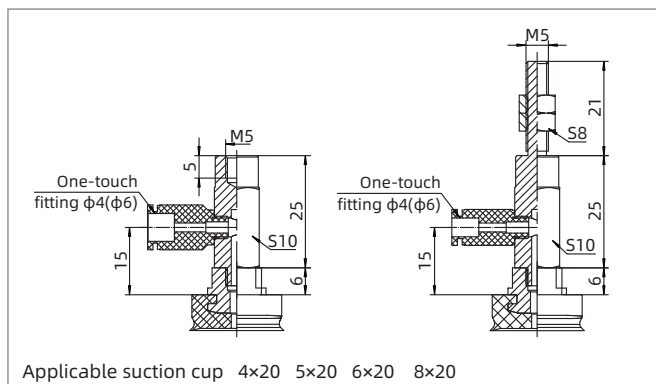


Lateral-Female thread connection

Lateral-Male thread connection

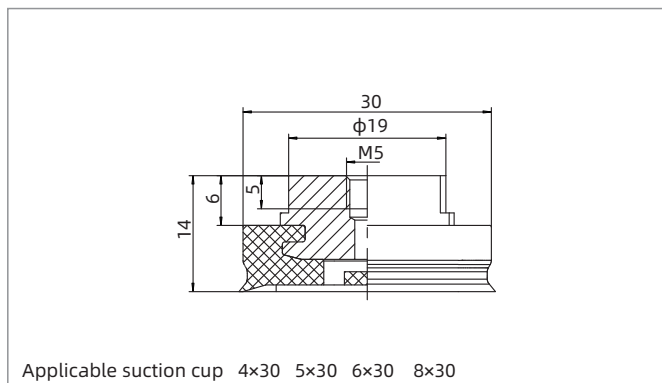


Vertical-Female thread connection

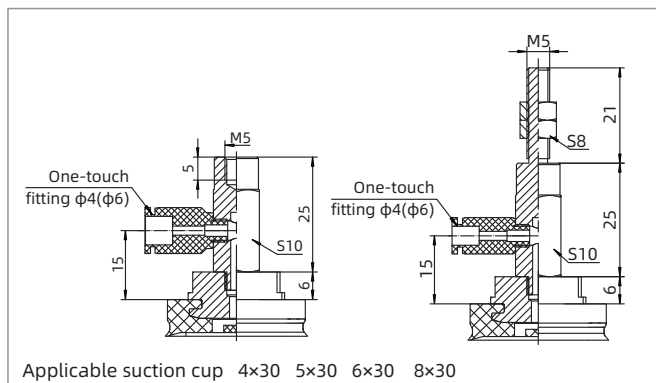


Lateral-Female thread connection

Lateral-Male thread connection



Vertical-Female thread connection



Lateral-Female thread connection

Lateral-Male thread connection

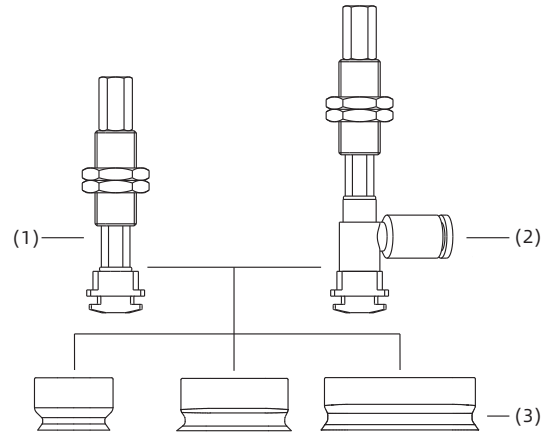
SAO Series

Suction Cup with Level Compensator

Structure

- ◇ Consisting of replacement suction cup(3) and level compensator
- ◇ Plug-in fitting for suction cup
- ◇ Vertical vacuum port(1), male thread for mounting
- ◇ Lateral vacuum port(2), male thread for mounting

In the same series, replacement suction cup and level compensator can be combined as required



How to order

SAO5×20N - E | 10 R A6 - M10

① ② ③ ④ ⑤ ⑥ ⑦

① Series	② Level compensator type	③ Buffer type	④ Buffer stroke	⑤ Rotary type	⑥ Vacuum port connection	⑦ Mounting thread
SAO5×20N	E - PSPE Series	I - Internal spring	10 40 20 50 30	R - Vertical non-rotating B - Lateral non-rotating	Nil - M5×0.8 female thread A4 - One-touch fitting φ4 hose A6 - One-touch fitting φ6 hose	M10 - M10×1

◇ Please refer to page 179 for suction cup selection

Selection

Rotary type/ Vacuum port connection	Nil	A4	A6
R - Vertical non-rotating	●	●	●
B - Lateral non-rotating	-	●	●

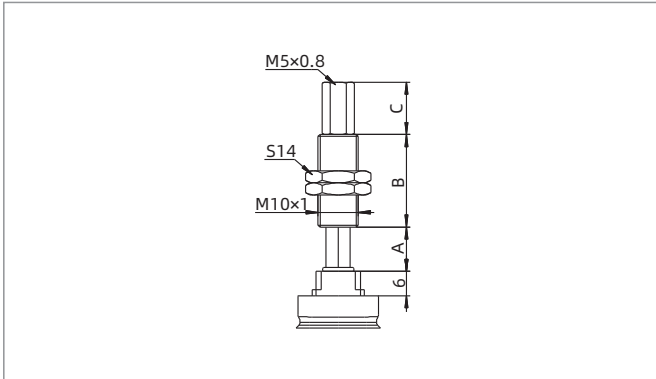
◇ Note: "●" default, in stock, "-" unavailable

- SZ
- SP3
- SUF
- SAN
- SAO
- SOFA
- STP
- SFT
- SFA
- SBT
- SBL
- SBLP
- SBS
- SFP
- SBP
- SXP
- SGP
- SBOF
- STC
- SFF
- SOB
- SOE
- SOG
- SFM
- SOM
- SBF
- SDM
- SFU
- SFK
- SHT
- SDL
- SFG
- SFGT
- SFD
- SB
- SBA
- SF
- SU
- SP2F
- SPA
- SPD
- SPF
- SPC
- SPJ
- SPU
- SH
- SHB
- SBB
- SOP
- SNP

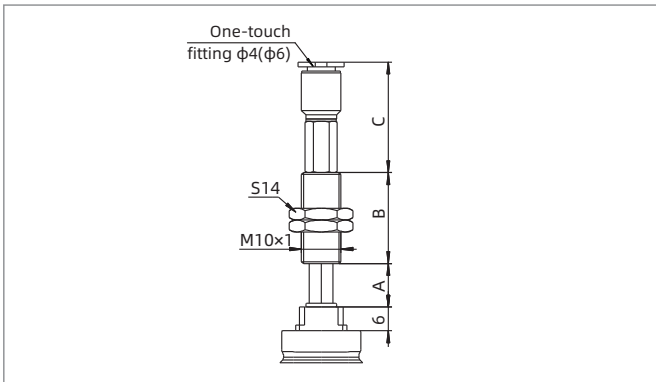
SAO Series

Suction Cup with Level Compensator

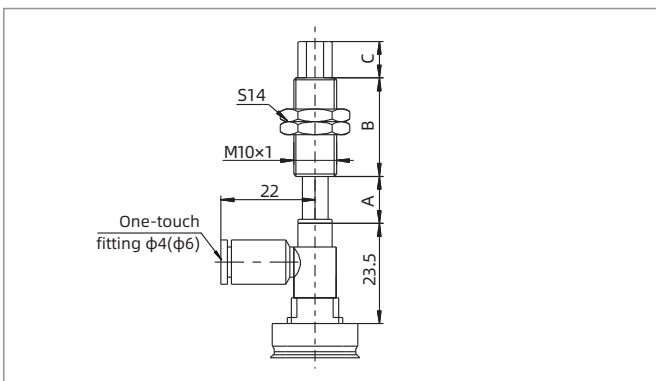
Dimensions(mm)



Vertical-Female thread connection



Vertical-One-touch fitting



Lateral-One-touch fitting

Model/Size	A	B	C	Buffer stroke	F1 (N)	F2 (N)
SAO□-EI10R-M10	11	23	13	10	1.0	3.0
SAO□-EI20R-M10	21	51	13	20	1.0	3.0
SAO□-EI30R-M10	31	51	13	30	1.0	3.0
SAO□-EI40R-M10	41	77	13	40	1.0	3.0
SAO□-EI50R-M10	51	77	13	50	1.0	3.0

Model/Size	A	B	C	Buffer stroke	F1 (N)	F2 (N)
SAO□-EI10R□-M10	11	23	28	10	1.0	3.0
SAO□-EI20R□-M10	21	51	28	20	1.0	3.0
SAO□-EI30R□-M10	31	51	28	30	1.0	3.0
SAO□-EI40R□-M10	41	77	28	40	1.0	3.0
SAO□-EI50R□-M10	51	77	28	50	1.0	3.0

Model/Size	A	B	C	Buffer stroke	F1 (N)	F2 (N)
SAO□-EI10B□-M10	11	23	8.5	10	1.0	3.0
SAO□-EI20B□-M10	21	51	8.5	20	1.0	3.0
SAO□-EI30B□-M10	31	51	8.5	30	1.0	3.0
SAO□-EI40B□-M10	41	77	8.5	40	1.0	3.0
SAO□-EI50B□-M10	51	77	8.5	50	1.0	3.0

◇ Note: 1. Please refer to page 179 for suction cup selection
 2. "F1" means spring force at 0 stroke, "F2" means spring force at max. Stroke

SOFA Series

Oval Flat Suction Cup

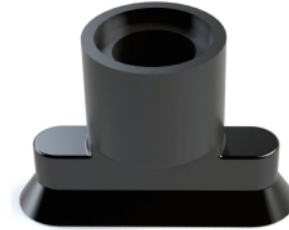


Features

- ◇ Oval Flat suction cup

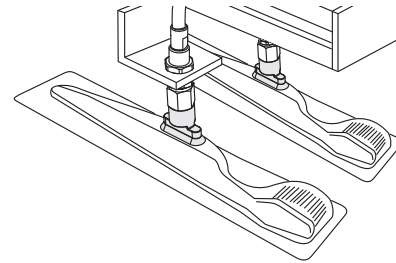
Advantages

- ◇ Handling long and narrow workpieces or flat workpieces with reinforced rib on surface
- ◇ Small size, light weight



Applications

- ◇ Handling small, long and narrow workpieces
- ◇ Electronic products



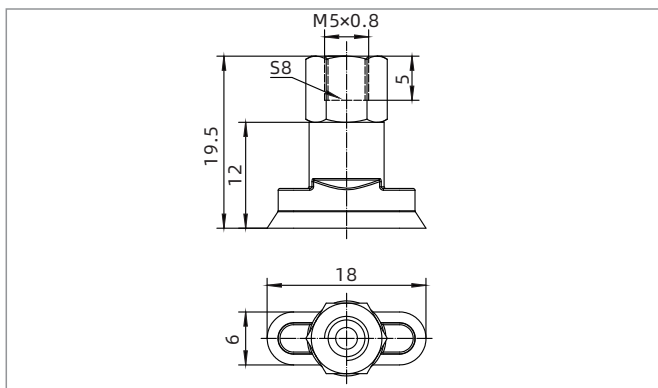
How to order

SOFA 6×18 N - M5F
 ① ② ③ ④

① Series	② Size	③ Material & Hardness	④ Connection thread
SOFA	6×18	N - NBR 55 WS - White silicone 50	Nil - Suction cup only M5F - M5×0.8 female thread

- ◇ Min package: 10pcs

Dimensions(mm)



SOFA6x18-M5F

- ◇ Note: The dimensional tolerance conforms to GB/T3672.1-2002-1 M3 rubber product dimensional tolerance standard

- SZ
- SP3
- SUF
- SAN
- SAO
- SOFA
- STP
- SFT
- SFA
- SBT
- SBL
- SBLP
- SBS
- SFP
- SBP
- SXP
- SGP
- SBOF
- STC
- SFF
- SOB
- SOF
- SOG
- SFM
- SOM
- SBF
- SDM
- SFU
- SFK
- SHT
- SDL
- SFG
- SFGT
- SFD
- SB
- SBA
- SF
- SU
- SP2F
- SPA
- SPD
- SPF
- SPC
- SPJ
- SPU
- SH
- SHB
- SBB
- SOP
- SNP

STP Series

Ultra-thin Flower-shaped Suction Cup



PLASTIC BAG



HIGH SEALING



Features

- ◇ Ultra-thin soft sealing lip design
- ◇ Double reinforced rib structure
- ◇ Food grade POM and silicone
- ◇ Lateral air ports are evenly distributed
- ◇ Two sizes and two hardness are optional

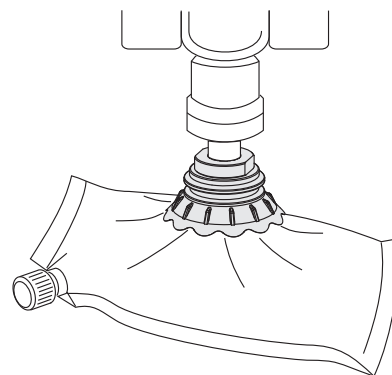
Advantages

- ◇ Optimal sealing, good for fitting different soft packing bags
- ◇ Effectively enhance suction cup strength, ensure maximum grasping capacity
- ◇ Can be used for food package handling
- ◇ Prevent soft package from deformation during grabbing and blocking the air port
- ◇ 35 degrees white silicone is suitable for softer bags, 50 degrees blue silicone is suitable for harder bags



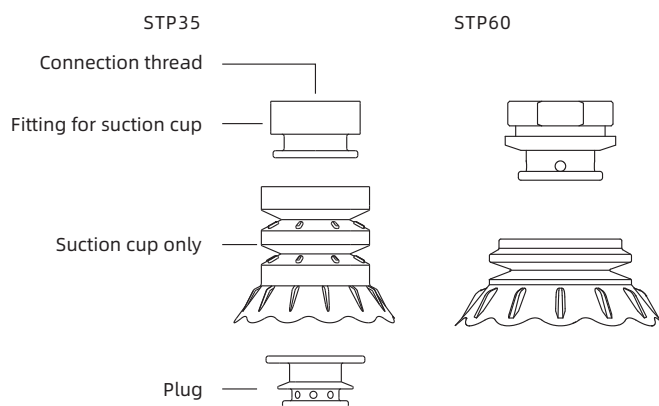
Applications

- ◇ Suitable for handling soft packaging plastic bags, such as bags of washing powder, detergent, tissue, express bags, etc.
- ◇ Food grade silicone can be used in food industry, such as bag of milk, bread, puffed food, etc.



Structure

- ◇ STP35 is 2.5 bellows and with large compressed stroke
- ◇ Suction cup and fitting are split structure design, wearing parts can be replaced separately



STP Series

Ultra-thin Flower-shaped Suction Cup

How to order

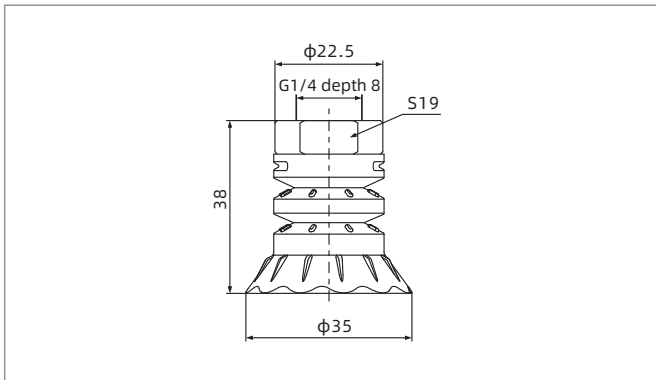
STP 60 S - G3F
 ① ② ③ ④

① Series	② Diameter	③ Material & Hardness	④ Connection thread
STP	35 - ϕ 35mm	S - Silicone 50	G2F - G1/4 female thread
	60 - ϕ 60mm	WS - White silicone 35	G3F - G3/8 female thread

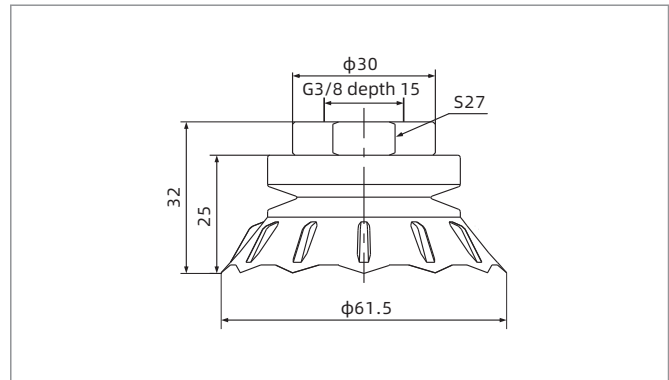
Selection

Model	Material S	WS	MPQ pcs	Weight g
STP35	STP35S-G2F	STP35WS-G2F	1	5
STP60	STP60S-G3F	STP60WS-G3F	1	9

Dimensions(mm)



STP35□-G2F



STP60□-G3F

◇Note: The dimensional tolerance conforms to GBT3672.1-2002-1 M3 rubber product dimensional tolerance standard

- SZ
- SP3
- SUF
- SAN
- SAO
- SOFA
- STP
- SFT
- SFA
- SBT
- SBL
- SBLP
- SBS
- SFP
- SBP
- SXP
- SGP
- SBOF
- STC
- SFF
- SOB
- SOE
- SOG
- SFM
- SOM
- SBF
- SDM
- SFU
- SFK
- SHT
- SDL
- SFG
- SFGT
- SFD
- SB
- SBA
- SF
- SU
- SP2F
- SPA
- SPD
- SPF
- SPC
- SPJ
- SPU
- SH
- SHB
- SBB
- SOP
- SNP

SFT Series

Thin Lip Flat Suction Cup

AIRBEST



PAPER



PLASTIC BAG



GLASS



SOLAR



COMPOSITE MATERIAL



ANTI-DEFORMATION



Features

- ◇ Ultra-thin sealing lip
- ◇ High temperature and mark free material is optional

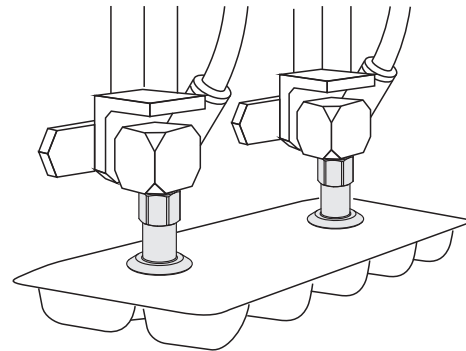
Advantages

- ◇ Suitable for film, paper and solar panels
- ◇ Prevent the workpiece from being sucked into the suction cup
- ◇ Suction without mark, can also for high temperature and mark free
- ◇ Prevent paper and film from wrinkling
- ◇ High temperature resistance, ozone resistance and UV radiation, suitable for handling in paper and printing industry



Applications

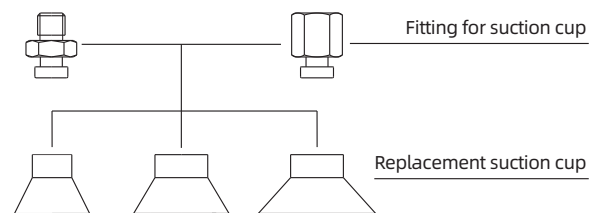
- ◇ Handling all kinds of packaging materials, such as paper, plastic film, opening plastic bag
- ◇ Handling fragile workpieces, such as thin wooden panels, solar silicon wafers, solar cell



Structure

- ◇ Suction cup and fitting are split structure design, wearing parts can be replaced separately

In same series, replacement suction cup and fitting can be combined on request.



SFT Series

Thin Lip Flat Suction Cup

How to order

SFT 15 HD - M5M

① ② ③ ④

① Series	② Diameter	③ Material & Hardness	④ Connection thread
SFT	15 - ϕ 15mm	WS - White silicone	50 Nil - Suction cup only
	20 - ϕ 20mm	HD - High temp/ Mark free material	60 M5M - M5x0.8 male thread
	24 - ϕ 24mm	NR - Natural rubber	40 G1M - G1/8 male thread
	30 - ϕ 30mm		G2M - G1/4 male thread
	34 - ϕ 34mm		G1F - G1/8 female thread
	35 - ϕ 35mm		G2F - G1/4 female thread
	40 - ϕ 40mm		

Selection

Model	Connection thread	
	M - Male thread	F - Female thread
SFT15□	SFT15□-M5M SFT15□-G1M	SFT15□-G1F
SFT20□	SFT20□-M5M SFT20□-G1M	SFT20□-G1F
SFT24□	SFT24□-M5M SFT24□-G1M	SFT24□-G1F
SFT30□	SFT30□-G2M	SFT30□-G2F
SFT34□	SFT34□-G2M	SFT34□-G2F
SFT35□	SFT35□-G2M	SFT35□-G2F
SFT40□	SFT40□-G2M	SFT40□-G2F

Technical parameters

Model	Pull-out force N	Inner volume cm ³	Min.curve radius of workpiece mm	Weight g	Recommended hose dia. mm	MPQ pcs
SFT15	8	0.2	16	0.5	6	10
SFT20	14	0.5	18	0.8	6	5
SFT24	20	0.7	23	1	6	5
SFT30	32	1.3	28	2.7	8	5
SFT34	41	2	33	3.1	8	5
SFT35	43	1.5	19	5.8	8	5
SFT40	56.5	3	39	4.5	8	5

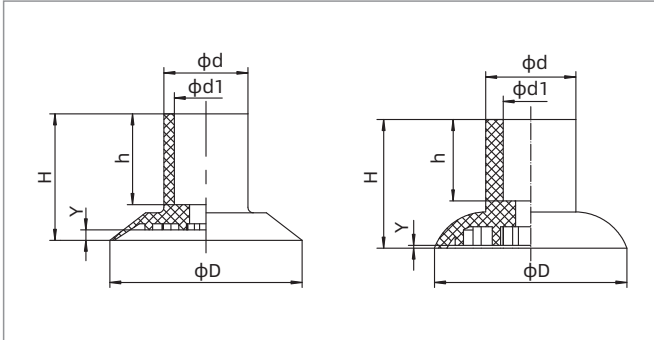
◇ Note: Testing vacuum level -60kPa, workpiece with smooth and clean surface. The data of pull-out force as above are figured out without considering safety factor. The data may be different according to different workpiece surfaces. Recommend the length of vacuum hose to be as short as possible, max 2m.

- SZ
- SP3
- SUF
- SAN
- SAO
- SOFA
- STP
- SFT**
- SFA
- SBT
- SBL
- SBLP
- SBS
- SFP
- SBP
- SXP
- SGP
- SBOF
- STC
- SFF
- SOB
- SOF
- SOG
- SFM
- SOM
- SBF
- SDM
- SFU
- SKF
- SHT
- SDL
- SFG
- SFGT
- SFD
- SB
- SBA
- SF
- SU
- SP2F
- SPA
- SPD
- SFP
- SPC
- SPJ
- SPU
- SH
- SHB
- SBB
- SOP
- SNP

SFT Series

Thin Lip Flat Suction Cup

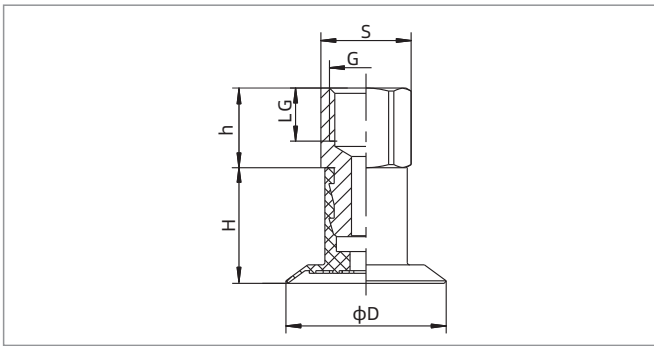
Dimensions(mm) - Suction cup only



SFT15-40

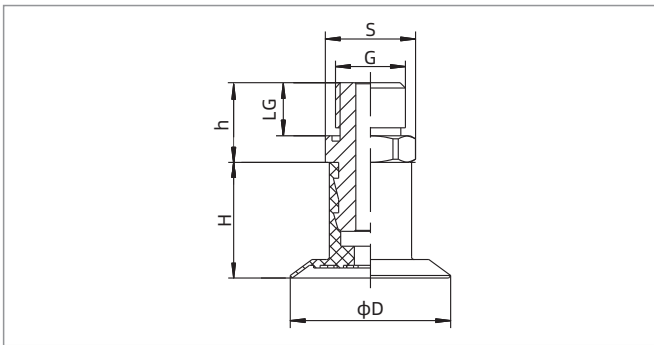
SFT35

Model/Size	D	H	d	h	d1	Y
SFT15□	14.5	10	9	7.2	4.5	0.9
SFT20□	20.9	10.4	10.5	7.2	4.5	1.5
SFT24□	24.4	10.8	10	7.2	4.5	1.7
SFT30□	30.6	21.8	15.6	15.7	11.2	2
SFT34□	34.5	23	14.8	16.8	11.2	1.4
SFT35□	35	23.5	16.5	14.8	10	0.5
SFT40□	40.5	20.5	16	14.5	8	2.3



SFT - Female thread connection

Model/Size	D	H	h	G	LG	S
SFT15□-G1F	14.5	10	12	G1/8	8	14
SFT20□-G1F	20.9	10.4	12	G1/8	8	14
SFT24□-G1F	24.4	10.8	12	G1/8	8	14
SFT30□-G2F	30.6	21.8	15	G1/4	10	17
SFT34□-G2F	34.5	23	15	G1/4	10	17
SFT35□-G2F	35	23.5	15	G1/4	10	17
SFT40□-G2F	40.5	20.5	15	G1/4	10	17



SFT - Male thread connection

Model/Size	D	H	h	G	LG	S
SFT15□-M5M	14.5	10	10	M5×0.8	5	7
SFT15□-G1M	14.5	10	13.5	G1/8	7.5	14
SFT20□-M5M	20.9	10.4	10	M5×0.8	5	7
SFT20□-G1M	20.9	10.4	13.5	G1/8	7.5	14
SFT24□-M5M	24.4	10.8	10	M5×0.8	5	7
SFT24□-G1M	24.4	10.8	13.5	G1/8	7.5	14
SFT30□-G2M	30.6	21.8	15	G1/4	10	17
SFT34□-G2M	34.5	23	15	G1/4	10	17
SFT35□-G2M	35	23.5	15	G1/4	10	17
SFT40□-G2M	40.5	20.5	15	G1/4	10	17

◇ Note: The dimensional tolerance conforms to GBT3672.1-2002-1 M3 rubber product dimensional tolerance standard

Mounting parts

Item	Model M - Male thread	F - Female thread	Applicable suction cup
Fitting for suction cup	PJS-M5M-SFT24	-	SFT15, 20, 24
	PJS-G1M-SFT24	PJS-G1F-SFT24	SFT15, 20, 24
	PJS-G2M-SFT34	PJS-G2F-SFT34	SFT30, 34
	PJS-G2M-SFT35	PJS-G2F-SFT35	SFT35
	PJS-G2M-SFT40	PJS-G2F-SFT40	SFT40

SFA Series

Ultra-thin Lip Flat Suction Cup Special for Plastic Bags

AIRBEST



PLASTIC BAG



HIGH SEALING



Suction Cup

Features

- ◇ Ultra-thin sealing lip
- ◇ Support structure at the bottom

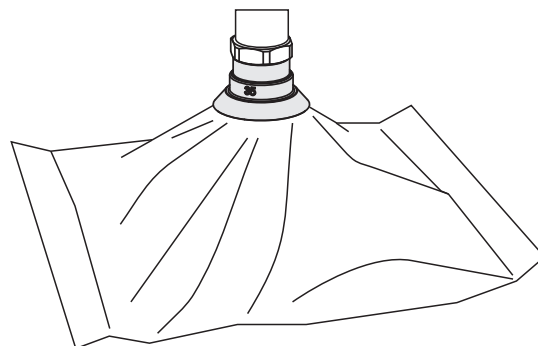
Advantages

- ◇ Suitable for film products, can fit workpiece closely
- ◇ Prevent the workpiece from being sucked into suction cup and wrinkling
- ◇ Food grade silicone, suitable for food package



Applications

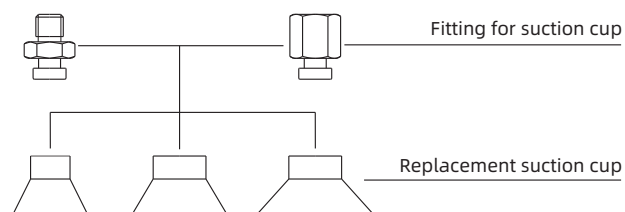
- ◇ Handling plastic film packaging bag
- ◇ Open film packaging bag in packaging production line



Structure

- ◇ Suction cup and fitting are split structure design, wearing parts can be replaced separately

In same series, replacement suction cup and fitting can be combined on request.



SZ
SP3
SUF
SAN
SAO
SOFA
STP
SFT
SFA
SBT
SBL
SBLP
SBS
SFP
SBP
SXP
SGP
SBOF
STC
SFF
SOB
SOF
SOG
SFM
SOM
SBF
SDM
SFU
SFK
SHT
SDL
SFG
SFGT
SFD
SB
SBA
SF
SU
SP2F
SPA
SPD
SPF
SPC
SPJ
SPU
SH
SHB
SBB
SOP
SNP

SFA Series

Ultra-thin Lip Flat Suction Cup Special for Plastic Bags

How to order

SFA 20 S - M5M

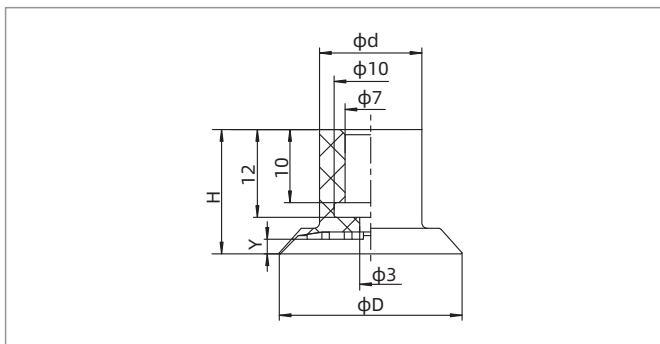
① ② ③ ④

① Series	② Diameter	③ Material & Hardness	④ Connection thread
SFA	20 - ϕ 20mm	S - Silicone 40	Nil - Suction cup only
	25 - ϕ 25mm		M5M - M5x0.8 male thread M5F - M5x0.8 female thread
	35 - ϕ 35mm		G1M - G1/8 male thread M8F - M8x1.25 female thread
	50 - ϕ 50mm		G2M - G1/4 male thread G3M - G3/8 male thread

Selection

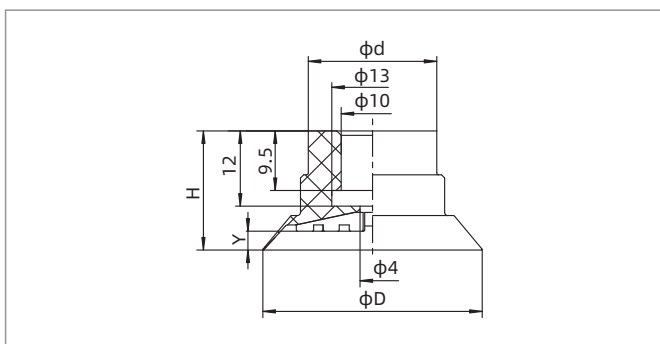
Model	Connection thread		MPQ pcs
	M - Male thread	F - Female thread	
SFA20S	SFA20S-M5M SFA20S-G1M	SFA20S-M5F	5
SFA25S	SFA25S-M5M SFA25S-G1M	SFA25S-M5F	5
SFA35S	SFA35S-G2M SFA35S-G3M	SFA35S-M8F	5
SFA50S	SFA50S-G2M SFA50S-G3M	SFA50S-M8F	1

Dimensions(mm) - Suction cup only



SFA20-25

Model/Size	D	H	d	Y
SFA20S	20	17	13	1.6
SFA25S	25	17	14	2



SFA35-50

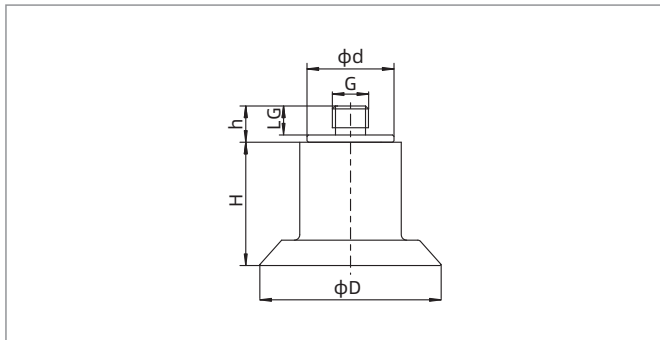
Model/Size	D	H	d	Y
SFA35S	35	19	20.5	3
SFA50S	50	22	20.5	4.5

SFA Series

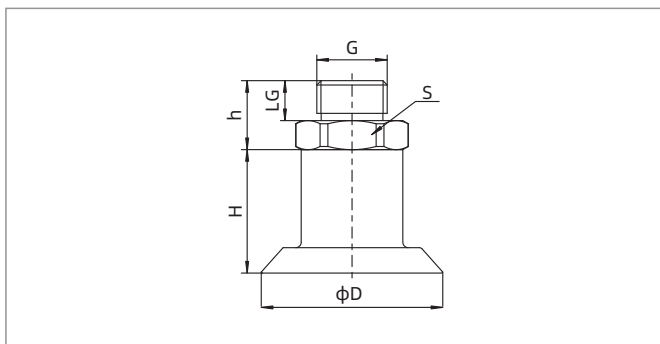
Ultra-thin Lip Flat Suction Cup Special for Plastic Bags



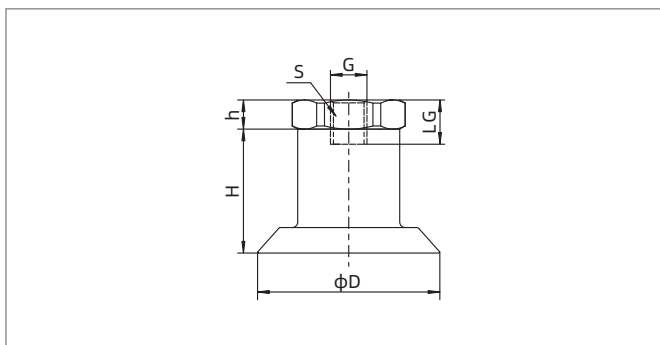
Dimensions(mm) - Suction cup with fitting



SFA - Male thread connection



SFA - Male thread connection



SFA - Female thread connection

◇ Note: The dimensional tolerance conforms to GB/T3672.1-2002-1 M3 rubber product dimensional tolerance standard

Model/Size	D	H	h	G	LG	d
SFA20S-M5M	20	17	5	M5×0.8	4	12
SFA25S-M5M	25	17	5	M5×0.8	4	12

Model/Size	D	H	h	G	LG	S
SFA20S-G1M	20	17	9.5	G1/8	5.5	14
SFA25S-G1M	25	17	9.5	G1/8	5.5	14
SFA35S-G2M	35	19	11.5	G1/4	6.5	21
SFA35S-G3M	35	19	11.5	G3/8	6.5	21
SFA50S-G2M	50	22	11.5	G1/4	6.5	21
SFA50S-G3M	50	22	11.5	G3/8	6.5	21

Model/Size	D	H	h	G	LG	S
SFA20S-M5F	20	17	4	M5×0.8	5	14
SFA25S-M5F	25	17	4	M5×0.8	5	14
SFA35S-M8F	35	19	6	M8×1.25	8	21
SFA50S-M8F	50	22	6	M8×1.25	8	21

Mounting parts

Item	Model M - Male thread	F - Female thread	Applicable suction cup
Fitting for suction cup	PJS-M5M-SFA20	PJS-M5F-SFA20	SFA20,25
	PJS-G1M-SFA20	-	SFA20,25
	PJS-G2M-SFA50	PJS-M8F-SFA50	SFA35,50
	PJS-G3M-SFA50	-	SFA35,50

- SZ
- SP3
- SUF
- SAN
- SAO
- SOFA
- STP
- SFT
- SFA
- SBT
- SBL
- SBLP
- SBS
- SFP
- SBP
- SXP
- SGP
- SBOF
- STC
- SFF
- SOB
- SOF
- SOG
- SFM
- SOM
- SBF
- SDM
- SFU
- SFK
- SHT
- SDL
- SFG
- SFGT
- SFD
- SB
- SBA
- SF
- SU
- SP2F
- SPA
- SPD
- SPF
- SPC
- SPJ
- SPU
- SH
- SHB
- SBB
- SOP
- SNP

SBT Series

Bellows Suction Cup Special for Thin Workpieces

AIRBEST



PACKAGING



ANTI-DEFORMATION



Features

- ◇ Designed with slightly curved bottom and distributed holes avoiding permanent deformation of thin workpieces
- ◇ 1.5 bellows has certain buffer effect
- ◇ Split structure for easy replacement of wearing parts

Applications

- ◇ Thin film objects such as aluminum foil and silver paper, etc.



How to order

SBT 16 N - M5F

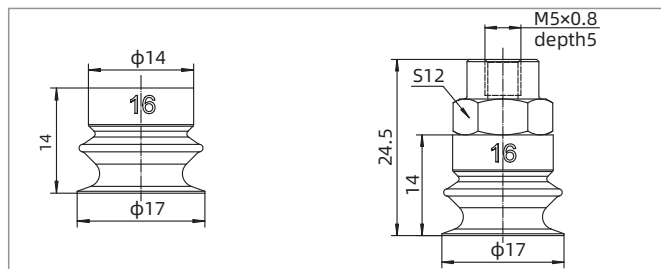
① ② ③ ④

① Series	② Diameter	③ Material&Hardness	④ Connection thread
SBT	16 - ϕ 16mm	N - NBR 40 WS - White silicone 30	Nil - Suction cup only M5F - M5×0.8 female thread M5M - M5×0.8 male thread

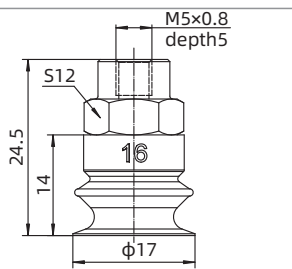
Technical parameters

Model	Pull-out force (N)	Inner volume cm ³	Weight g
SBT16	8	< 0.1	1.3

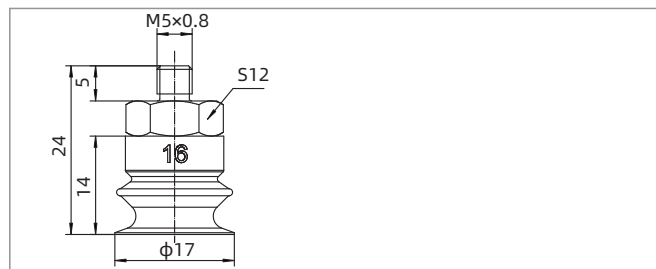
Dimensions (mm)



SBT16



SBT16-M5F



SBT16-M5M

SBL Series

4.5 Bellows Suction Cup



FOOD
PACKAGING



PLASTIC BAG



FDA



Features

- ◇ 4.5 Bellows
- ◇ Thin sealing lip
- ◇ Food grade silicone

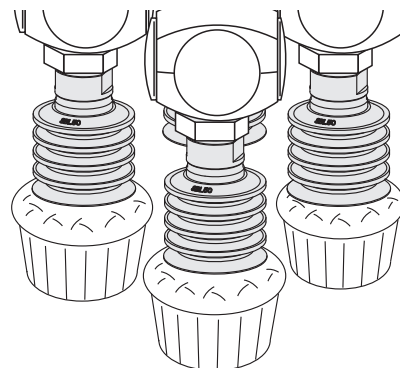
Advantages

- ◇ Suitable for handling workpieces with irregular shape
- ◇ Grabbing soft package with good airtightness
- ◇ Direct contact with food



Applications

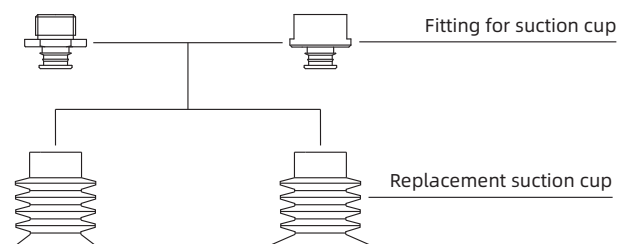
- ◇ Handling very soft products, such as plastic bags, aluminum foil bags, etc
- ◇ Handling fragile products, such as glass, egg, etc
- ◇ Handling food, such as bread, biscuits, etc
- ◇ Grabbing package bags containing solid products, powder or liquid safely



Structure

- ◇ Multiple bellows, large compressed stroke
- ◇ Suction cup and fitting are split structure design, wearing parts can be replaced separately

In same series, replacement suction cup and fitting can be combined on request.



- SZ
- SP3
- SUF
- SAN
- SAO
- SOFA
- STP
- SFT
- SFA
- SBT**
- SBL**
- SBLP
- SBS
- SFP
- SBP
- SXP
- SGP
- SBOF
- STC
- SFF
- SOB
- SOE
- SOG
- SFM
- SOM
- SBF
- SDM
- SFU
- SFK
- SHT
- SDL
- SFG
- SFGT
- SFD
- SB
- SBA
- SF
- SU
- SP2F
- SP2
- SPD
- SPE
- SPC
- SPJ
- SPIU
- SHB
- SBB
- SBB
- SOP
- SNP

How to order

SBL 15 S - M5M

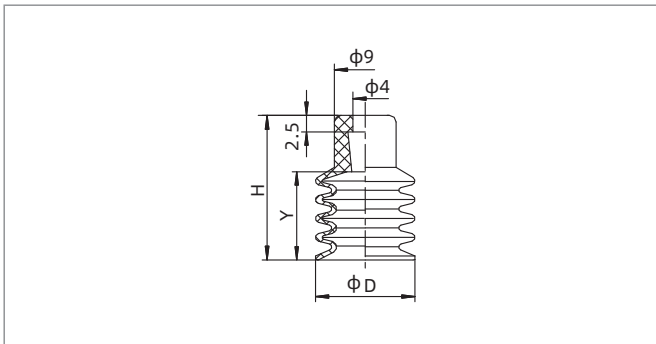
① ② ③ ④

① Series	② Diameter	③ Material & Hardness	④ Connection thread
SBL	15 - ϕ 15mm	N - NBR 55	Nil - Suction cup only M5M - M5x0.8 male thread
	20 - ϕ 20mm	S - Silicone 50	G1F - G1/8 female thread G1M - G1/8 male thread
	30 - ϕ 30mm	WS - White silicone 50	G2F - G1/4 female thread G2M - G1/4 male thread
	40 - ϕ 40mm		G3F - G3/8 female thread G3M - G3/8 male thread
	50 - ϕ 50mm		

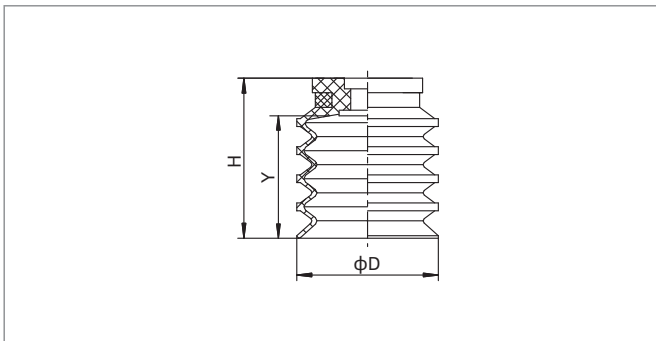
Selection

Model	Connection thread		MPQ pcs
	M - Male thread	F - Female thread	
SBL15□	SBL15□-M5M	-	5
SBL20□	SBL20□-G1M	SBL20□-G1F	5
SBL30□	SBL30□-G1M	SBL30□-G1F	1
SBL40□	SBL40□-G1M	SBL40□-G1F	1
SBL50□	SBL50□-G2M SBL50□-G3M	SBL50□-G2F SBL50□-G3F	1

Dimensions(mm) - Suction cup only



SBL15



SBL20-50

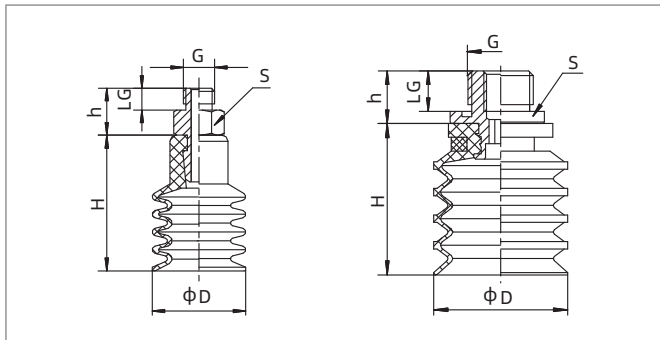
Model/Size	D	H	Y	Weight g
SBL15□	15.5	21.5	13.5	12

Model/Size	D	H	Y	Weight g
SBL20□	20	23	17.5	2.3
SBL30□	30	32	25.5	5.8
SBL40□	40	42	34.5	12.4
SBL50□	50	52	40	20.9

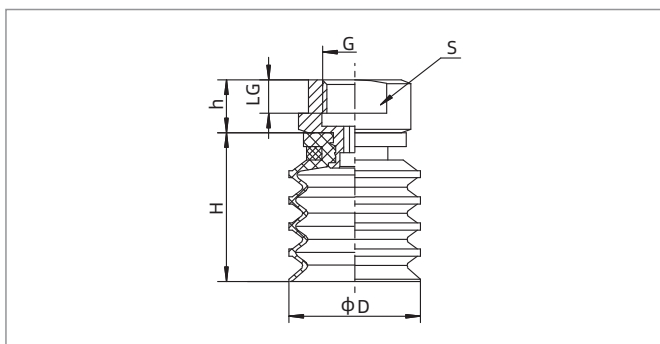
SBL Series

4.5 Bellows Suction Cup

Dimensions(mm) - Suction cup with fitting



SBL - Male thread connection



SBL - Female thread connection

◇ Note: The dimensional tolerance conforms to GBT3672.1-2002-1 M3 rubber product dimensional tolerance standard

Model/Size	D	H	h	G	LG	S
SBL15□-M5M	15.5	21.5	7.5	M5×0.8	3.5	7
SBL20□-G1M	20	23	7.8	G1/8	6	13
SBL30□-G1M	30	32	12	G1/8	6	17
SBL40□-G1M	40	42	12	G1/8	6	17
SBL50□-G2M	50	52	17	G1/4	9	24
SBL50□-G3M	50	52	18	G3/8	10	24

Model/Size	D	H	h	G	LG	S
SBL20□-G1F	20	23	8	G1/8	7	13
SBL30□-G1F	30	32	10	G1/8	7	17
SBL40□-G1F	40	42	10	G1/8	7	17
SBL50□-G2F	50	52	13	G1/4	10	24
SBL50□-G3F	50	52	13	G3/8	11	24

Mounting parts

Item	Model		Applicable suction cup
	M - Male thread	F - Female thread	
Fitting for suction cup	PJS-M5M-SC3	-	SBL15
	PJS-G1M-SF1	PJS-G1F-SF1	SBL20
	PJS-G1M-SF2	PJS-G1F-SF2	SBL30,40
	PJS-G2M-SF3	PJS-G2F-SF3	SBL50
	PJS-G3M-SF3	PJS-G3F-SF3	SBL50

- SZ
- SP3
- SUF
- SAN
- SAO
- SOFA
- STP
- SFT
- SFA
- SBT
- SBL**
- SBLP
- SBS
- SFP
- SBP
- SXP
- SGP
- SBOF
- STC
- SFF
- SOB
- SOE
- SOG
- SFM
- SOM
- SBF
- SDM
- SFU
- SFK
- SHT
- SDL
- SFG
- SFGT
- SFD
- SB
- SBA
- SF
- SU
- SP2F
- SPA
- SPD
- SPF
- SPC
- SPJ
- SPU
- SH
- SHB
- SBB
- SOP
- SNP

SBLP Series

Bellows Suction Cup Special for Soft Packing Bags



FOOD
PACKAGING



PLASTIC BAG



FDA



Features

- ◇ Thin sealing lip
- ◇ 4.5 Bellows structure
- ◇ Big size, increasing vacuum flow
- ◇ Food grade silicone
- ◇ Plugs are optional

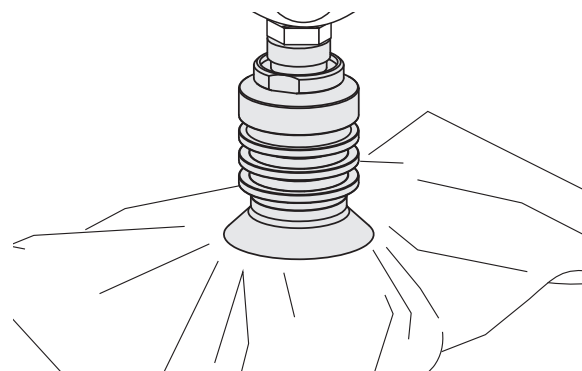
Advantages

- ◇ Have good airtightness when grab soft packing bag or flexible workpiece
- ◇ Effectively compensate height difference of packing bag with irregular shapes
- ◇ When grabbing porous workpieces, it can compensate the grabbing capacity by large flow
- ◇ Direct contact with food
- ◇ Prevent soft plastic film to be sucked into suction cup



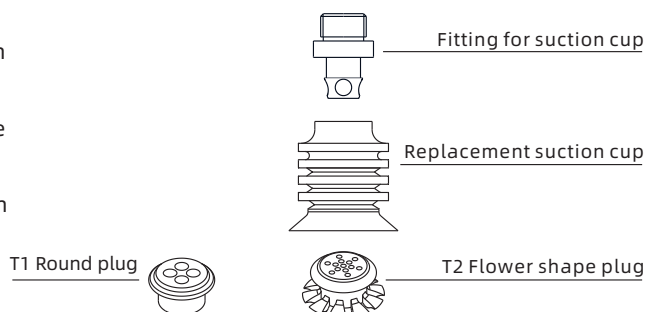
Applications

- ◇ Handling soft packing bag, such as EXPRESS bag, aluminum foil bags, laundry detergent bags, water bags, etc.
- ◇ Handling food package, such as bread, biscuits, milk, etc.
- ◇ Suitable for opening the bags, such as woven bags opening and dragging, etc.
- ◇ Grabbing packing bags containing solid products, powder or liquid safely



Structure

- ◇ Multiple bellows, large compressed stroke
- ◇ Suction cup and fitting are split structure design, wearing parts can be replaced separately
- ◇ T1 - White round plug, for light, thin and soft workpieces with large deformation
- ◇ T2 - Blue flower shape plug, for hard workpieces with small deformation



SBLP Series

Bellows Suction Cup Special for Soft Packing Bags



How to order

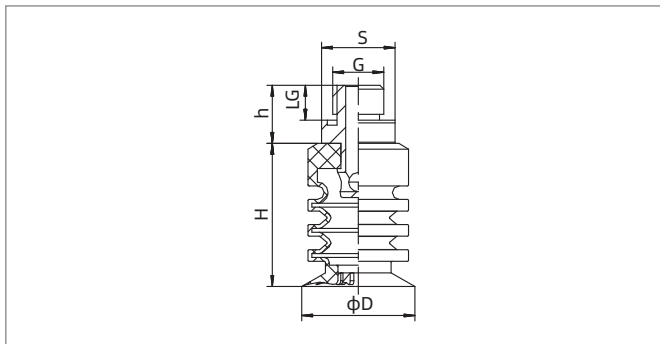
SBLP 40 S - G3M - T1
 ① ② ③ ④ ⑤

① Series	② Diameter	③ Material & Hardness	④ Connection thread	⑤ Special specification
SBLP	30 - ϕ 30mm 40 - ϕ 40mm 50 - ϕ 50mm	S - Silicone 40	Nil - Suction cup G2M - G1/4 male thread G3M - G3/8 male thread G4M - G1/2 male thread	Nil - Standard T1 - White round plug T2 - Blue flower shape plug

Selection

Model	M - Male thread	T1 - White round plug	T2 - Blue flower shape plug	MPQ pcs
SBLP30S	SBLP30S-G2M	-	SBLP30S-T2 SBLP30S-G2M-T2	1
SBLP40S	SBLP40S-G3M	SBLP40S-T1 SBLP40S-G3M-T1	SBLP40S-T2 SBLP40S-G3M-T2	1
SBLP50S	SBLP50S-G4M	-	SBLP50S-T2 SBLP50S-G4M-T2	1

Dimensions(mm)



SBLP

Model/Size	D	H	G	h	LG	S	Weight g
SBLP30S-G2M	30	36.5	G1/4	15	9	19	14.4
SBLP40S-G3M	40	40	G3/8	16	10	22	24.1
SBLP50S-G4M	50	55	G1/2	16	10	28	43.3

◇ Note: The dimensional tolerance conforms to GB/T3672.1-2002-1 M3 rubber product dimensional tolerance standard

Mounting parts

Item	Model M - Male thread	T1 - White round plug	T2 - Blue flower shape plug	Applicable suction cup
Fitting for suction cup	PJS-G2M-SBLP30	-	SBLP30-T2	SBLP30
	PJS-G3M-SBLP40	SBLP40-T1	SBLP40-T2	SBLP40
	PJS-G4M-SBLP50	-	SBLP50-T2	SBLP50

SBS Series

Bellows Suction Cup Special for Spherical Objects



SPHERICAL
OBJECT



FDA



Features

- ◇ Ultra-soft and tapered sealing lip
- ◇ Special inner structure
- ◇ Food grade silicone

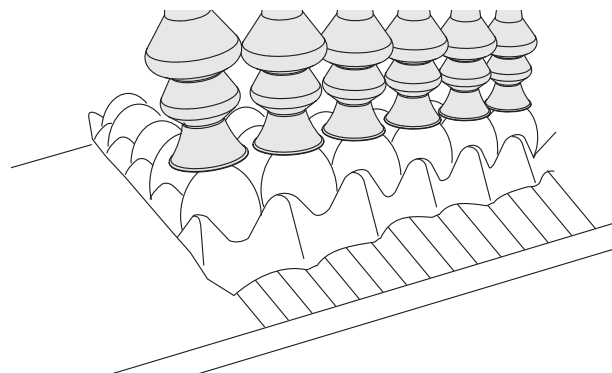
Advantages

- ◇ Effectively fit surface of spherical workpiece
- ◇ The corresponding suction cup can be accurately selected according to the shape of the adsorbed food
- ◇ Direct contact with food



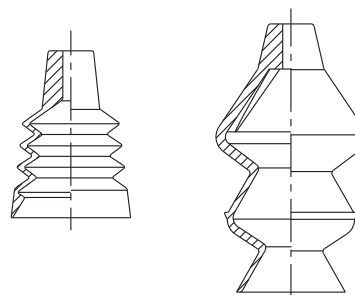
Applications

- ◇ Directly contact and handle candy and food, which are round, oval, and with irregular shapes
- ◇ Handling food with irregular surfaces or decorative shapes
- ◇ Multiple bellows suction cups are suitable for handling soft-contact food, such as eggs



Structure

- ◇ Special sealing lip, suitable for handling irregular products
- ◇ Ultra-thin, soft and tapered sealing lip, suitable for handling fragile objects



SBS Series

Bellows Suction Cup Special for Spherical Objects



- SZ
- SP3
- SUF
- SAN
- SAO
- SOFA
- STP
- SFT
- SFA
- SBT
- SBL
- SBLP
- SBS**
- SFP
- SBP
- SXP
- SGP
- SBOF
- STC
- SFF
- SOB
- SOF
- SOG
- SFM
- SOM
- SBF
- SDM
- SFU
- SFK
- SHT
- SDL
- SFG
- SFGT
- SFD
- SB
- SBA
- SF
- SU
- SP2F
- SPA
- SPD
- SPF
- SPC
- SPJ
- SPU
- SH
- SHB
- SBB
- SOP
- SNP

How to order

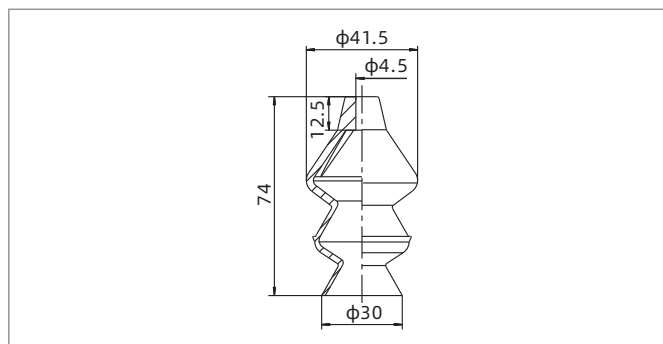
SBS 30 S
① ② ③

① Series	② Diameter	③ Material & Hardness
SBS	30 - ϕ 30mm	S - Silicone 35
	33 - ϕ 33mm	WS - White silicone 50
	34 - ϕ 34mm	WSA - White silicone 30
	35 - ϕ 35mm	

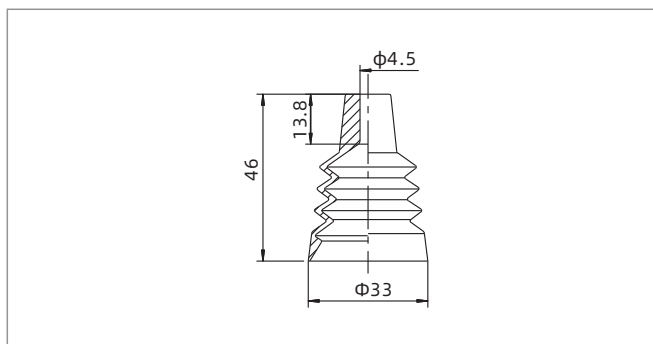
Selection

Model	Material S	WS	WSA	MPQ pcs	Weight g
SBS30	SBS30S	-	-	1	17
SBS33	-	SBS33WS	SBS33WSA	1	8
SBS34	-	SBS34WS	SBS34WSA	1	19.3
SBS35	-	SBS35WS	SBS35WSA	1	9.7

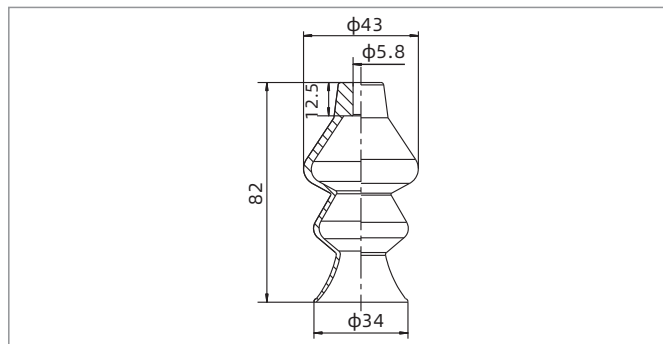
Dimensions(mm)



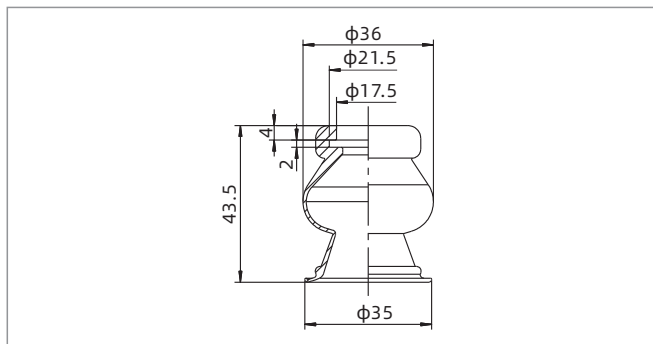
SBS30



SBS33



SBS34



SBS35

◇ Note: The dimensional tolerance conforms to GBT3672.1-2002-1 M3 rubber product dimensional tolerance standard

SFP Series

PU Flat Suction Cup



PACKAGING



LONG LIFETIME



Features

- ◇ Support structure at bottom
- ◇ PU material
- ◇ Various sizes are available

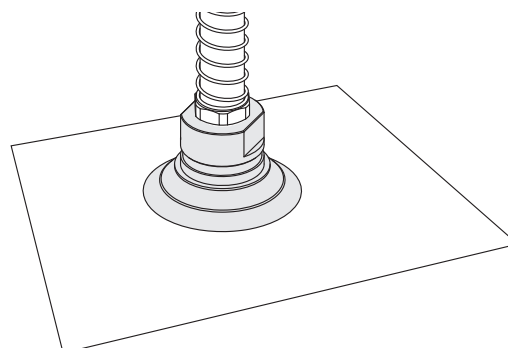
Advantages

- ◇ Preventing thin workpieces from permanent deformation
- ◇ Good wear resistance, long lifetime
- ◇ Suitable for workpieces with different sizes and shapes



Applications

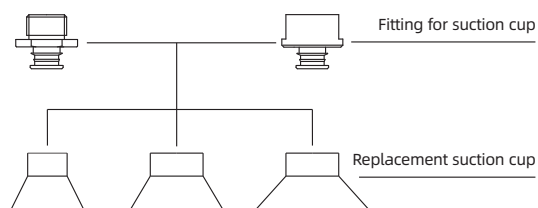
- ◇ Suitable for handling cardboard box or cardboard
- ◇ Suitable for handling carton or handling in packaging machinery
- ◇ Suitable for stacking and unstacking
- ◇ PU material has good wear resistance, suitable for heavy load occasions



Structure

- ◇ Suction cup and fitting are split structure design
- ◇ Fitting for suction cup is with mesh filter

In same series, replacement suction cup and fitting can be combined on request



SFP Series

PU Flat Suction Cup

How to order

SFP 20 U - G1F
① ② ③ ④

① Series	② Diameter	③ Material & Hardness		④ Connection thread
SFP	20 - ϕ 20mm	U - PU	60	Nil - Suction cup only
	30 - ϕ 30mm	UY - PU	40	G1M - G1/8 male thread
	40 - ϕ 40mm			G1F - G1/8 female thread

Selection

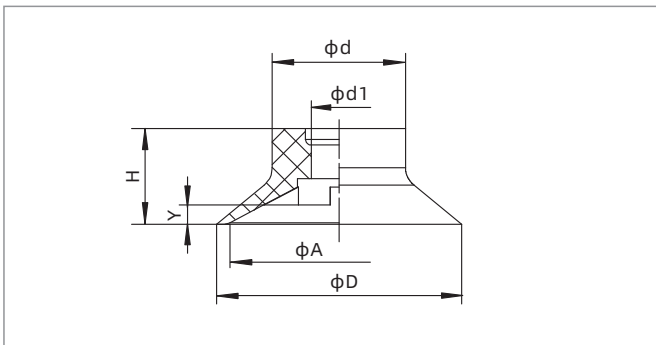
Model	Connection thread	
	M - Male thread	F - Female thread
SFP20□	SFP20□-G1M	SFP20□-G1F
SFP30□	SFP30□-G1M	SFP30□-G1F
SFP40□	SFP40□-G1M	SFP40□-G1F

Technical parameters

Model	Pull-out force N	Inner volume cm ³	Min.curve radius of workpiece mm	Weight g	Recommended hose dia. mm	MPQ pcs
SFP20	14	0.36	24	1.1	6	5
SFP30	21	1	42	2.5	6	5
SFP40	56.5	2.7	52	6	6	5

◇ Note: Testing vacuum level -60kPa, workpiece with smooth and clean surface. The data of pull-out force as above are figured out without considering safety factor. The data may be different according to different workpiece surfaces. Recommend the length of vacuum hose to be as short as possible, max 2m.

Dimensions(mm) - Suction cup only



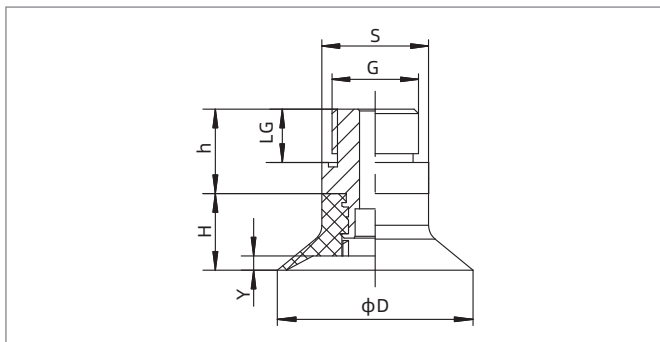
SFP20-40

Model/Size	D	H	A	d	d1	Y
SFP20□	22	8.6	20	12	5	1.6
SFP30□	31	10.5	30	15.8	5	2
SFP40□	41	14	40	21	6.5	2.5

SFP Series

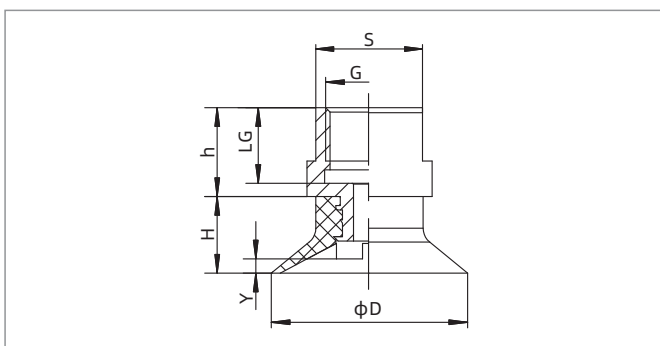
PU Flat Suction Cup

Dimensions(mm)



SFP20-40 Male thread connection

Model/Size	D	H	G	h	LG	S	Y
SFP20□-G1M	22	8.6	G1/8	7.8	6	13	1.6
SFP30□-G1M	31	10.5	G1/8	7.8	6	13	2
SFP40□-G1M	41	14	G1/8	12	6	17	2.5



SFP20-40 Female thread connection

Model/Size	D	H	G	h	LG	S	Y
SFP20□-G1F	22	8.6	G1/8	8	7	13	1.6
SFP30□-G1F	31	10.5	G1/8	8	7	13	2
SFP40□-G1F	41	14	G1/8	10	7	17	2.5

◇ Note: The dimensional tolerance conforms to GB/T3672.1-2002-1 M3 rubber product dimensional tolerance standard

Mounting parts

Item	Model		Applicable suction cup
	M - Male thread	F - Female thread	
Fitting for suction cup	PJS-G1M-SF1-EW	PJS-G1F-SF1-EW	SFP20, 30
	PJS-G1M-SF2-EW	PJS-G1F-SF2-EW	SFP40

SBP Series

PU Bellows Suction Cup



Suction Cup

Features

- ◇ 1.5 Bellows
- ◇ Internal support structure at bottom
- ◇ PU material
- ◇ Various sizes are available

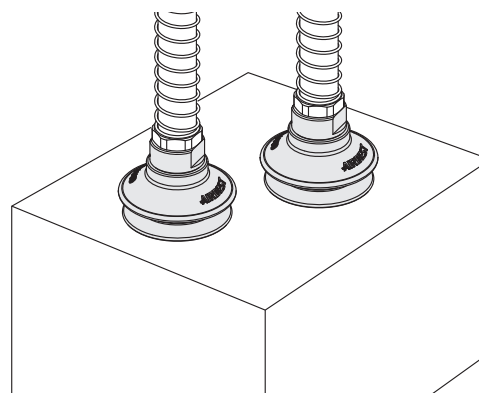
Advantages

- ◇ Easy to fit the uneven surface of workpiece, and has buffer effect
- ◇ Prevent thin workpieces from permanent deformation
- ◇ Good wear resistance, long lifetime
- ◇ Suitable for workpieces with different sizes and shapes



Applications

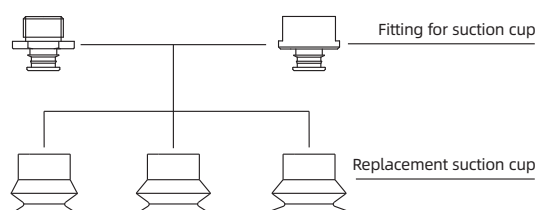
- ◇ Suitable for handling cardboard box or cardboard
- ◇ Suitable for handling carton or handling in packaging machinery
- ◇ Suitable for stacking and unstacking
- ◇ PU material has good wear resistance, suitable for heavy load occasions



Structure

- ◇ For suction cup with diameter $\phi 10\text{-}\phi 50\text{mm}$, suction cup and fitting are split structure design
- ◇ For suction cup with diameter $\phi 70\text{mm}$, suction cup and fitting are one-piece structure design
- ◇ Fitting for suction cup is with filter mesh

In same series, replacement suction cup and fitting can be combined on request



- SZ
- SP3
- SUF
- SAN
- SAO
- SOFA
- STP
- SFT
- SFA
- SBT
- SBL
- SBLP
- SBS
- SFP**
- SBP**
- SXP
- SGP
- SBOF
- STC
- SFF
- SOB
- SOE
- SOG
- SFM
- SOM
- SBF
- SDM
- SFU
- SFK
- SHT
- SDL
- SFG
- SFGT
- SFD
- SB
- SBA
- SF
- SU
- SP2F
- SPA
- SPD
- SPF
- SPC
- SPJ
- SPU
- SH
- SHB
- SBB
- SOP
- SNP

SBP Series

PU Bellows Suction Cup

How to order

SBP 30 U - G1F
 ① ② ③ ④

① Series	② Diameter	③ Material & Hardness	④ Connection thread
SBP	10 - φ10mm	U - PU 60	Nil - Suction cup only
	15 - φ15mm	UY - PU 40	M5M - M5x0.8 male thread
	20 - φ20mm	UD - PU 30 60	G1M - G1/8 male thread
	30 - φ30mm		G2M - G1/4 male thread
	40 - φ40mm		G3M - G3/8 male thread
	50 - φ50mm		G1F - G1/8 female thread
	70 - φ70mm		G2F - G1/4 female thread G3F - G3/8 female thread

Selection

Model	Connection thread	
	M - Male thread	F - Female thread
SBP10□	SBP10□-M5M	-
SBP15□	SBP15□-M5M	-
SBP20□	SBP20□-G1M	SBP20□-G1F
SBP30□	SBP30□-G1M	SBP30□-G1F
SBP40□	SBP40□-G1M	SBP40□-G1F
SBP50□	SBP50□-G2M SBP50□-G3M	SBP50□-G2F SBP50□-G3F
SBP70□	SBP70□-G3M	SBP70□-G3F

Technical parameters

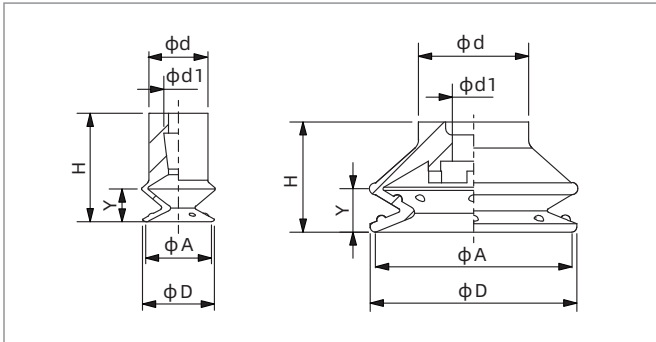
Model	Pull-out force N	Inner volume cm ³	Min.curve radius of workpiece mm	Weight g	Recommended hose dia. mm	MPQ pcs
SBP10	3.5	0.2	10	0.8	6	5
SBP15	7.9	0.5	25	1.4	6	5
SBP20	14	2	31	2.1	6	5
SBP30	31	4	47	4.8	6	5
SBP40	56.5	9	59	11.5	6	1
SBP50	88	17	68	20.7	8	1
SBP70	173	55	91	68.3	10	1

◇ Note: Testing vacuum level -60kPa, workpiece with smooth and clean surface. The data of pull-out force as above are figured out without considering safety factor. The data may be different according to different workpiece surfaces. Recommend the length of vacuum hose to be as short as possible, max 2m.

SBP Series

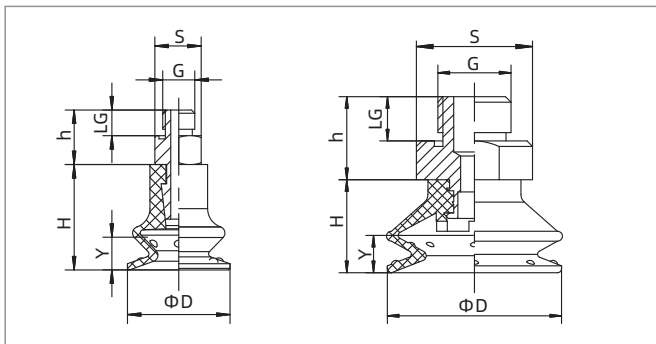
PU Bellows Suction Cup

Dimensions(mm)

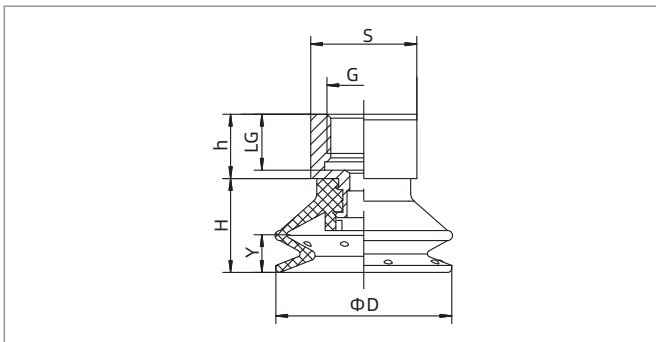


SBP10-15

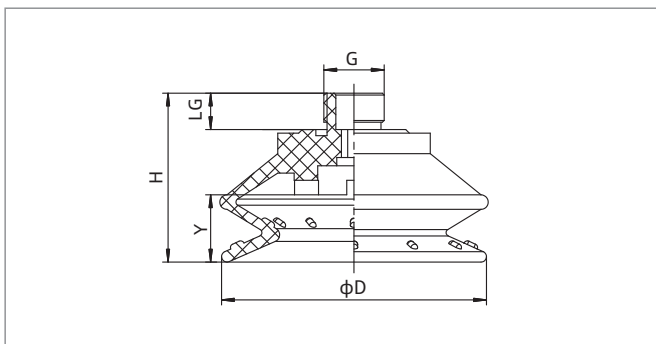
SBP20-50



SBP10-50 Male thread connection



SBP20-50 Female thread connection



SBP70 Male thread connection

Model/Size	D	H	A	d	d1	Y
SBP10□	10.9	16.5	10	9	5	5
SBP15□	16	19	15	9	5.5	5.8
SBP20□	21	18	20	12	5	7.5
SBP30□	31.5	16.8	30	16.8	6.5	6.6
SBP40□	42	22.4	40	22.4	6.5	8.8
SBP50□	52.5	29.3	50	28	10.5	12.3

Model/Size	D	H	G	h	LG	S	Y
SBP10□-M5M	10.9	16.5	M5×0.8	7.5	3.5	7	5
SBP15□-M5M	16	19	M5×0.8	7.5	3.5	7	5.8
SBP20□-G1M	21	18	G1/8	7.8	6	13	7.5
SBP30□-G1M	31.5	16.8	G1/8	12	6	17	6.6
SBP40□-G1M	42	22.4	G1/8	12	6	17	8.8
SBP50□-G2M	52.5	29.3	G1/4	17	9	24	12.3
SBP50□-G3M	52.5	29.3	G3/8	18	10	24	12.3

Model/Size	D	H	G	h	LG	S	Y
SBP20□-G1F	21	18	G1/8	8	7	13	7.5
SBP30□-G1F	31.5	16.8	G1/8	10	7	17	6.6
SBP40□-G1F	42	22.4	G1/8	10	7	17	8.8
SBP50□-G2F	52.5	29.3	G1/4	13	10	24	12.3
SBP50□-G3F	52.5	29.3	G3/8	13	11	24	12.3

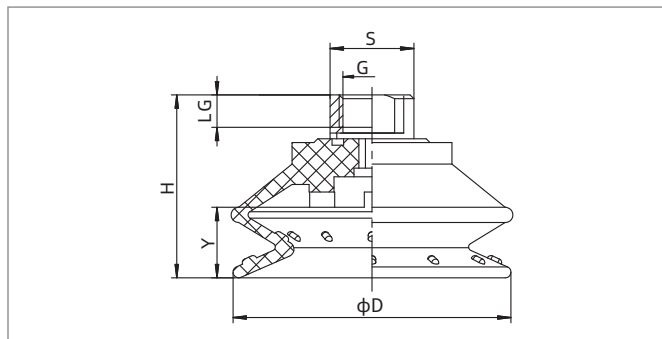
Model/Size	D	H	G	LG	Y
SBP70□-G3M	73	46.5	G3/8	10	16.5

- SZ
- SP3
- SUF
- SAN
- SAO
- SOFA
- STP
- SFT
- SFA
- SBT
- SBL
- SBLP
- SBS
- SFP
- SBP**
- SXP
- SGP
- SBOF
- STC
- SFF
- SOB
- SOF
- SOG
- SFM
- SOM
- SBF
- SDM
- SFU
- SFK
- SHT
- SDL
- SFG
- SFGT
- SFD
- SB
- SBA
- SF
- SU
- SP2F
- SPA
- SPD
- SPF
- SPC
- SPJ
- SPU
- SH
- SHB
- SBB
- SOP
- SNP

SBP Series

PU Bellows Suction Cup

Dimensions(mm)



Model/Size	D	H	G	LG	S	Y
SBP70□-G3F	73	48	G3/8	11.5	22	16.5

SBP70 Female thread connection

◇ Note: The dimensional tolerance conforms to GB/T3672.1-2002-1 M3 rubber product dimensional tolerance standard

Mounting parts

Item	Model M - Male thread	F - Female thread	Applicable suction cup
Fitting for suction cup	PJS-M5M-SC3	-	SBP10, 15
	PJS-G1M-SF1-EW	PJS-G1F-SF1-EW	SBP20
	PJS-G1M-SF2-EW	PJS-G1F-SF2-EW	SBP30, 40
	PJS-G2M-SF3-EW	PJS-G2F-SF3-EW	SBP50
	PJS-G3M-SF3-EW	PJS-G3F-SF3-EW	SBP50

SXP Series

PU Bellows Suction Cup



PACKAGING



LONG LIFETIME



Features

- ◇ 2.5 Bellows
- ◇ Internal support structure at bottom
- ◇ PU material
- ◇ Various sizes are available

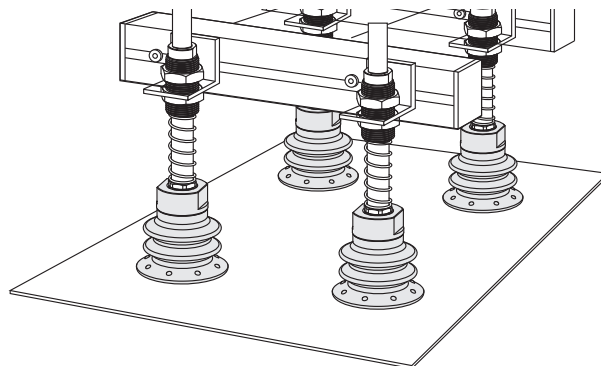
Advantages

- ◇ Easy to fit uneven surface of workpiece, and has buffer effect
- ◇ Prevent thin workpieces from permanent deformation
- ◇ Good wear resistance, long lifetime
- ◇ Suitable for workpieces with different sizes and shapes



Applications

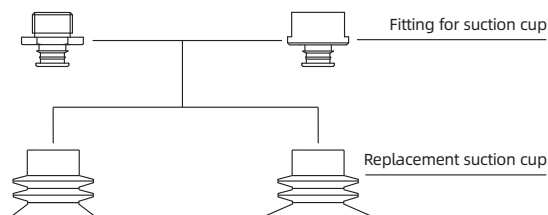
- ◇ Suitable for workpieces with every uneven surfaces, such as cartons, pipes, etc, fitting surfaces perfectly
- ◇ Suitable for handling cardboard box or cardboard
- ◇ Suitable for handling carton or handling in packaging machinery
- ◇ PU material has good wear resistance, suitable for heavy load occasions



Structure

- ◇ For suction cup with diameter $\phi 20\text{-}\phi 50\text{mm}$, suction cup and fitting are split structure design
- ◇ For suction cup with diameter $\phi 70\text{mm}$, suction cup and fitting are one-piece structure design
- ◇ Fitting for suction cup is with filter mesh

In same series, replacement suction cup and fitting can be combined on request



- SZ
- SP3
- SUF
- SAN
- SAO
- SOFA
- STP
- SFT
- SFA
- SBT
- SBL
- SBLP
- SBS
- SFP
- SXP**
- SGP
- SBOF
- STC
- SFF
- SOB
- SOE
- SOG
- SFM
- SOM
- SBF
- SDM
- SFU
- SFK
- SHT
- SDL
- SFG
- SFGT
- SFD
- SB
- SBA
- SF
- SU
- SP2F
- SPA
- SPD
- SPF
- SPC
- SPJ
- SPU
- SH
- SHB
- SBB
- SOP
- SNP

SXP Series

PU Bellows Suction Cup

How to order

SXP 30 U - G1F
 ① ② ③ ④

① Series	② Diameter	③ Material & Hardness	④ Connection thread
SXP	20 - φ20mm	U - PU 60	Nil - Scution cup only
	25 - φ25mm	UG - PU 55	G1M - G1/8 male thread
	30 - φ30mm	UD - PU 30 60	G2M - G1/4 male thread
	35 - φ35mm		G3M - G3/8 male thread
	40 - φ40mm		G1F - G1/8 female thread
	50 - φ50mm		G2F - G1/4 female thread
	70 - φ70mm		G3F - G3/8 female thread

Selection

Model	Connection thread	
	M - Male thread	F - Female thread
SXP20□	SXP20□-G1M	SXP20□-G1F
SXP25□	SXP25□-G1M	SXP25□-G1F
SXP30□	SXP30□-G1M	SXP30□-G1F
SXP35□	SXP35□-G1M	SXP35□-G1F
SXP40□	SXP40□-G1M	SXP40□-G1F
SXP50□	SXP50□-G2M SXP50□-G3M	SXP50□-G2F SXP50□-G3F
SXP70□	SXP70□-G3M	SXP70□-G3F

Technical parameters

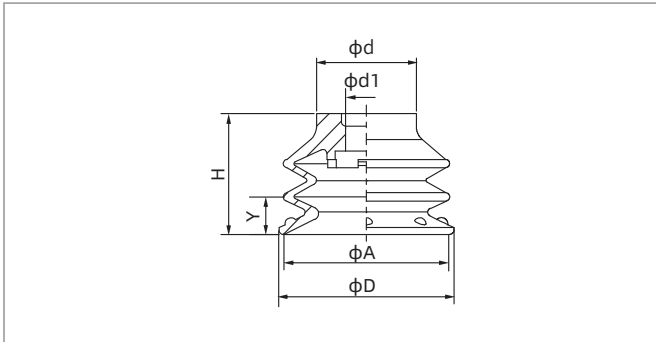
Model	Pull-out force N	Inner volume cm ³	Min.curve radius of workpiece mm	Weight g	Recommended hose dia. mm	MPQ pcs
SXP20	14	2	24	1.8	6	5
SXP25	22	3	31	3.1	6	5
SXP30	31	5	30	4.4	6	5
SXP35	43	9	39	7.4	6	1
SXP40	56.5	11	45	10.4	6	1
SXP50	88	21	55	19.9	8	1
SXP70	173	55	80	66	10	1

◇ Note: Testing vacuum level -60kPa, workpiece with smooth and clean surface. The data of pull-out force as above are figured out without considering safety factor. The data may be different according to different workpiece surfaces. Recommend the length of vacuum hose to be as short as possible, max 2m.

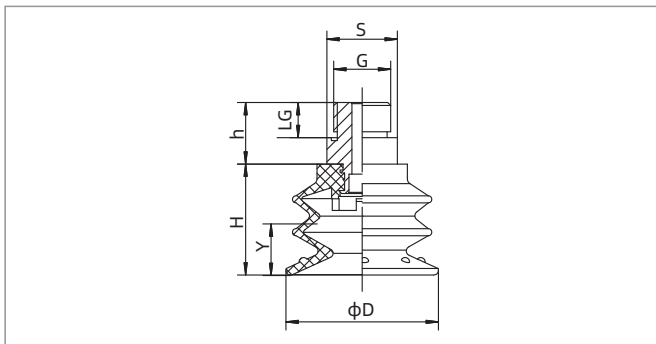
SXP Series

PU Bellows Suction Cup

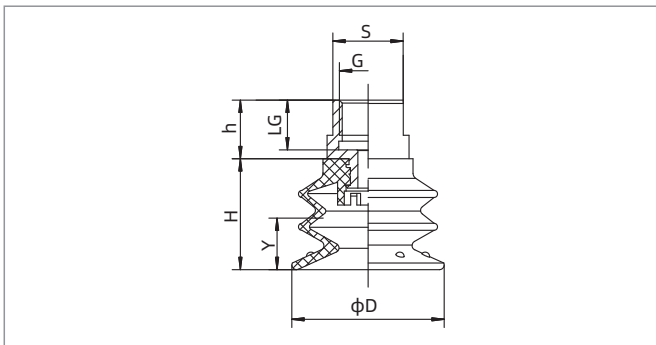
Dimensions(mm)



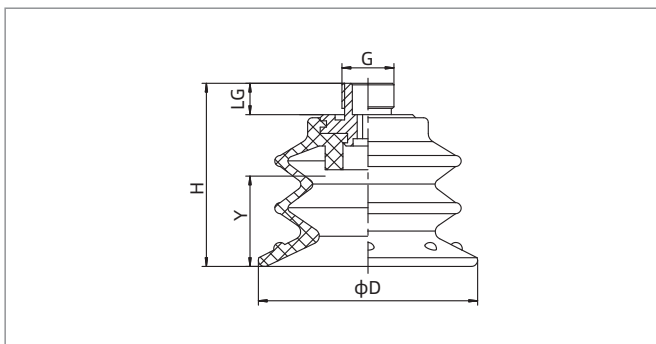
SXP20-50



SXP20-50 Male thread connection



SXP20-50 Female thread connection



SXP70 Male thread connection

Model/Size	D	H	A	d	d1	Y
SXP20□	21	14.8	20	12	5	4.5
SXP25□	26	18.9	24.4	15.4	5	7.3
SXP30□	30	21.3	28	16.5	5	8
SXP35□	35	25.3	33	21	6.5	9.8
SXP40□	40	28.4	37.5	22	6.5	10.6
SXP50□	50	35.5	47	27.5	10.5	13.4

Model/Size	D	H	G	h	LG	S	Y
SXP20□-G1M	21	14.8	G1/8	7.8	6	13	4.5
SXP25□-G1M	26	18.9	G1/8	7.8	6	13	7.3
SXP30□-G1M	30	21.3	G1/8	7.8	6	13	8
SXP35□-G1M	35	25.3	G1/8	12	6	17	9.8
SXP40□-G1M	40	28.4	G1/8	12	6	17	10.6
SXP50□-G2M	50	35.5	G1/4	17	9	24	13.4
SXP50□-G3M	50	35.5	G3/8	18	10	24	13.4

Model/Size	D	H	G	h	LG	S	Y
SXP20□-G1F	21	14.8	G1/8	8	7	13	4.5
SXP25□-G1F	26	18.9	G1/8	8	7	13	7.3
SXP30□-G1F	30	21.3	G1/8	8	7	13	8
SXP35□-G1F	35	25.3	G1/8	10	7	17	9.8
SXP40□-G1F	40	28.4	G1/8	10	7	17	10.6
SXP50□-G2F	50	35.5	G1/4	13	10	24	13.4
SXP50□-G3F	50	35.5	G3/8	13	11	24	13.4

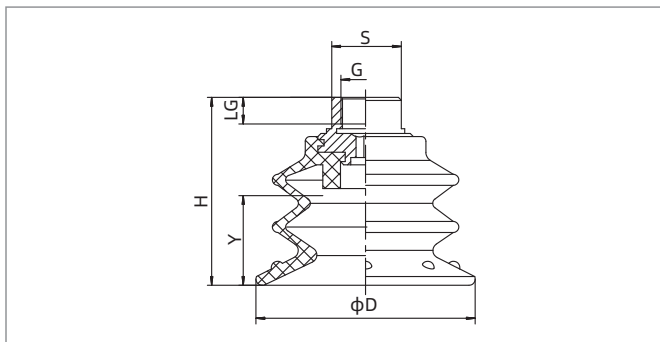
Model/Size	D	H	G	LG	Y
SXP70□-G3M	70	58.5	G3/8	10	18.6

- SZ
- SP3
- SUF
- SAN
- SAO
- SOFA
- STP
- SFT
- SFA
- SBT
- SBL
- SBLP
- SBS
- SFP
- SBP
- SXP**
- SGP
- SBOF
- STC
- SFF
- SOB
- SOE
- SOG
- SFM
- SOM
- SBF
- SDM
- SFU
- SFK
- SHT
- SDL
- SFG
- SFGT
- SFD
- SB
- SBA
- SF
- SU
- SP2F
- SPA
- SPD
- SPF
- SPC
- SPJ
- SPU
- SH
- SHB
- SBB
- SOP
- SNP

SXP Series

PU Bellows Suction Cup

Dimensions(mm)



Model/Size	D	H	G	LG	S	Y
SXP70□-G3F	70	60	G3/8	11.5	22	18.6

SXP70 Female thread connection

◇ Note: The dimensional tolerance conforms to GBT3672.1-2002-1 M3 rubber product dimensional tolerance standard

Mounting parts

Item	Model M - Male thread	F - Female thread	Applicable suction cup
Fitting for suction cup	PJS-G1M-SF1-EW	PJS-G1F-SF1-EW	SXP20, 25, 30
	PJS-G1M-SF2-EW	PJS-G1F-SF2-EW	SXP35, 40
	PJS-G2M-SF3-EW	PJS-G2F-SF3-EW	SXP50
	PJS-G3M-SF3-EW	PJS-G3F-SF3-EW	SXP50

SGP Series

PU Bellows Suction Cup



PACKAGING



LONG LIFETIME



Features

- ◇ 2.5 Bellows
- ◇ Internal support structure at bottom
- ◇ PU material
- ◇ Various sizes are available

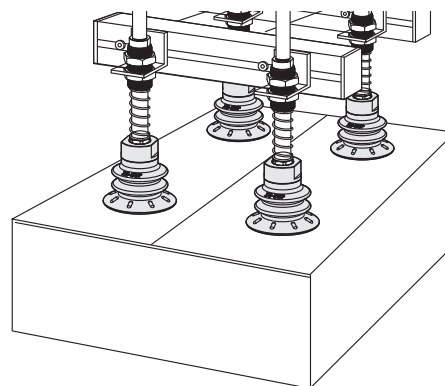
Advantages

- ◇ Easy to fit uneven surface of workpiece, and has buffer effect
- ◇ Prevent thin workpieces from permanent deformation
- ◇ Good wear resistance, long lifetime
- ◇ Suitable for workpieces with different sizes and shapes



Applications

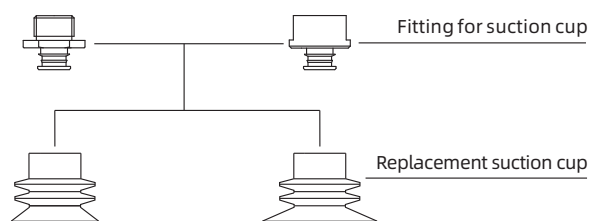
- ◇ Suitable for workpieces with every uneven surfaces, such as cartons, pipes, etc, fit surfaces perfectly
- ◇ Suitable for handling cardboard box or cardboard
- ◇ Suitable for handling carton or handling in packaging machinery
- ◇ PU material has good wear resistance, suitable for heavy load occasions



Structure

- ◇ Suction cup and fitting are split structure design
- ◇ Fitting for suction cup is with filter mesh

In same series, replacement suction cup and fitting can be combined on request



- SZ
- SP3
- SUF
- SAN
- SAO
- SOFA
- STP
- SFT
- SFA
- SBT
- SBL
- SBLP
- SBS
- SFP
- SBP
- SGP**
- SGP**
- SBOF
- STC
- SFF
- SOB
- SOE
- SOG
- SFM
- SOM
- SBF
- SDM
- SFU
- SFK
- SHT
- SDL
- SFG
- SFGT
- SFD
- SB
- SBA
- SF
- SU
- SP2F
- SPA
- SPD
- SPF
- SPC
- SPJ
- SPU
- SH
- SHB
- SBB
- SOP
- SNP

SGP Series

PU Bellows Suction Cup

How to order

SGP 35 U - G1F

① ② ③ ④

① Series	② Diameter	③ Material & Hardness	④ Connection thread
SGP	25 - ϕ 25mm	U - PU 55	Nil - Suction cup only
	35 - ϕ 35mm	UD - PU 30	G1M - G1/8 male thread
	45 - ϕ 45mm		G2M - G1/4 male thread
	55 - ϕ 55mm		G3M - G3/8 male thread G1F - G1/8 female thread G2F - G1/4 female thread G3F - G3/8 female thread

Selection

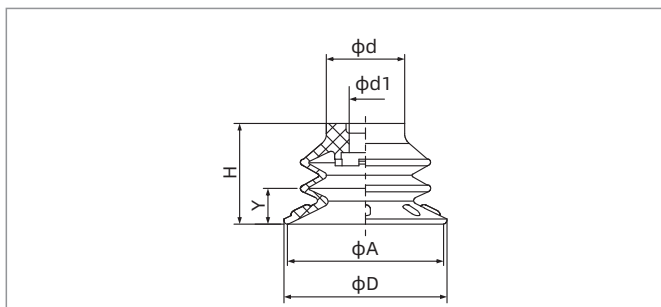
Model	Connection thread	
	M - Male thread	F - Female thread
SGP25□	SGP25□-G1M	SGP25□-G1F
SGP35□	SGP35□-G1M	SGP35□-G1F
SGP45□	SGP45□-G1M	SGP45□-G1F
SGP55□	SGP55□-G2M SGP55□-G3M	SGP55□-G2F SGP55□-G3F

Technical parameters

Model	Pull-out force N	Inner volume cm ³	Min.curve radius of workpiece mm	Weight g	Recommended hose dia. mm	MPQ pcs
SGP25	22	3	31	2	6	5
SGP35	43	6	42	4.8	6	5
SGP45	71	13	54	11	6	1
SGP55	106	23	64	19.9	8	1

◇ Note: Testing vacuum level -60kPa, workpiece with smooth and clean surface. The data of pull-out force as above are figured out without considering safety factor. The data may be different according to different workpiece surfaces. Recommend the length of vacuum hose to be as short as possible, max 2m.

Dimensions(mm)



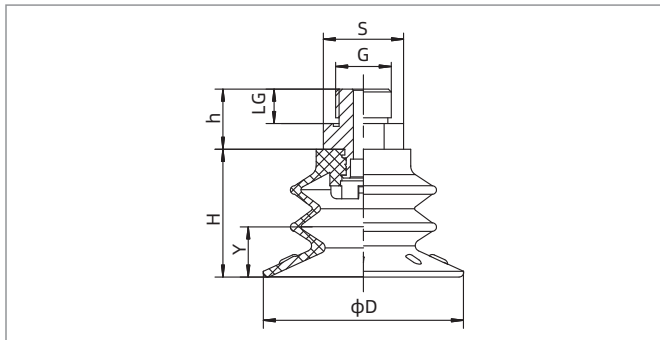
Model/Size	D	H	A	d	d1	y
SGP25□	25	15.5	24	12	5	5.5
SGP35□	35	22.3	33.4	16.5	5	8.4
SGP45□	45	29.3	42.8	16.8	6.6	11.5
SGP55□	55	36.3	52.4	27.5	10.5	12.9

SGP25-55

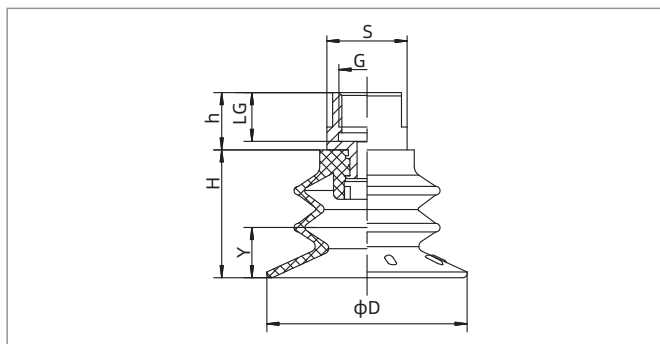
SGP Series

PU Bellows Suction Cup

Dimensions(mm)



SGP25-55 Male thread connection



SGP25-55 Female thread connection

◇ Note: The dimensional tolerance conforms to GBT3672.1-2002-1 M3 rubber product dimensional tolerance standard

Model/Size	D	H	G	h	LG	S	Y
SGP25□-G1M	25	15.5	G1/8	7.8	6	13	5.5
SGP35□-G1M	35	22.3	G1/8	7.8	6	13	8.4
SGP45□-G1M	45	29.3	G1/8	12	6	17	11.5
SGP55□-G2M	55	36.3	G1/4	17	9	24	12.9
SGP55□-G3M	55	36.3	G3/8	18	10	24	12.9

Model/Size	D	H	G	h	LG	S	Y
SGP25□-G1F	25	15.5	G1/8	8	7	13	5.5
SGP35□-G1F	35	22.3	G1/8	8	7	13	8.4
SGP45□-G1F	45	29.3	G1/8	10	7	17	11.5
SGP55□-G2F	55	36.3	G1/4	13	10	24	12.9
SGP55□-G3F	55	36.3	G3/8	13	11	24	12.9

Mounting parts

Item	Model M - Male thread	F - Female thread	Applicable suction cup
Fitting for suction cup	PJS-G1M-SF1-EW	PJS-G1F-SF1-EW	SGP25, 35
	PJS-G1M-SF2-EW	PJS-G1F-SF2-EW	SGP45
	PJS-G2M-SF3-EW	PJS-G2F-SF3-EW	SGP55
	PJS-G3M-SF3-EW	PJS-G3F-SF3-EW	SGP55

- SZ
- SP3
- SUF
- SAN
- SAO
- SOFA
- STP
- SFT
- SFA
- SBT
- SBL
- SBLP
- SBS
- SFP
- SBP
- SXP
- SGP**
- SBOF
- STC
- SFF
- SOB
- SOE
- SOG
- SFM
- SOM
- SBF
- SDM
- SFU
- SFK
- SHT
- SDL
- SFG
- SFGT
- SFD
- SB
- SBA
- SF
- SU
- SP2F
- SPA
- SPD
- SPF
- SPC
- SPJ
- SPU
- SH
- SHB
- SBB
- SOP
- SNP

SBOF Series

2.5 Bellows Oval Suction Cup



Features

- ◇ 2.5 Bellows oval suction cup
- ◇ Material Vinyl

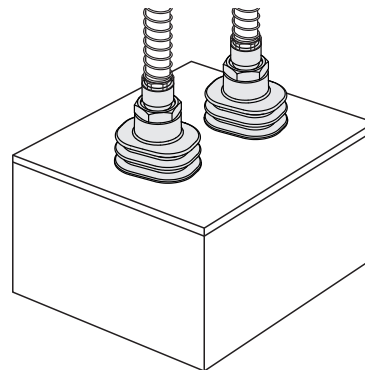
Advantages

- ◇ Easy to fit uneven surface of workpiece, and has buffer effect
- ◇ Excellent wearing resistance, long lifetime



Applications

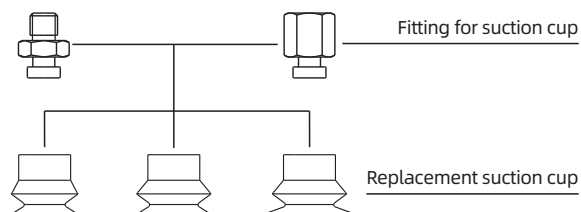
- ◇ Suitable for unpacking machines and handling soft packaging products
- ◇ Suitable for medical industry, such as washing packing bags containing chlorinated disinfectant
- ◇ Suitable for handling CD and DVD



Structure

- ◇ 2.5 Bellows, large compressed stroke
- ◇ Suction cup and fitting are split structure design, wearing parts can be replaced separately

In same series, replacement suction cup and fitting can be combined on request.



SBOF Series

2.5 Bellows Oval Suction Cup

How to order

SBOF 35×28 V - G2M

① ② ③ ④

① Series	② Size	③ Material & Hardness	④ Connection thread
SBOF	35×28 mm 45×28 mm	V - Vinyl 55	Nil - Suction cup only M10M - M10×1.5 male thread G2M - G1/4 male thread G2F - G1/4 female thread

Selection

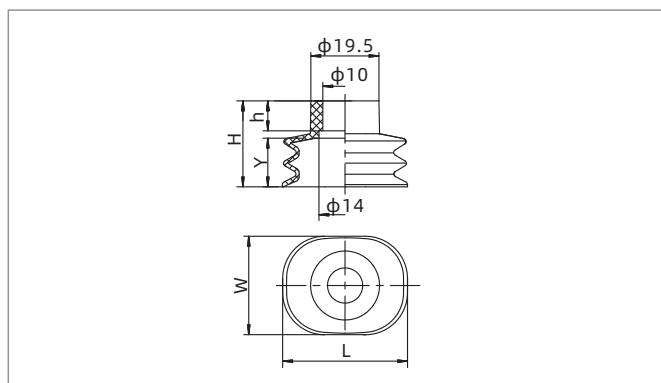
Model	Connection thread	
	M - Male thread	F - Female thread
SBOF35×28V	SBOF35×28V-M10M SBOF35×28V-G2M	SBOF35×28V-G2F
SBOF45×28V	SBOF45×28V-M10M SBOF45×28V-G2M	SBOF45×28V-G2F

Technical parameters

Model	Pull-out force N	Inner volume cm ³	Min.curve radius of workpiece mm	Weight g	Recommended hose dia. mm	MPQ pcs
SBOF35×28	44	22	39	5.8	8	1
SBOF45×28	57	26	39	8.2	8	1

◇ Note: Testing vacuum level -60kPa, workpiece with smooth and clean surface. The data of pull-out force as above are figured out without considering safety factor. The data may be different according to different workpiece surfaces. Recommend the length of vacuum hose to be as short as possible, max 2m.

Dimensions(mm) - Suction cup only



Model/Size	L	W	H	h	Y(Stroke)
SBOF35×28V	35	28	24.5	8.5	12
SBOF45×28V	45	28	25	9.5	13

SBOF

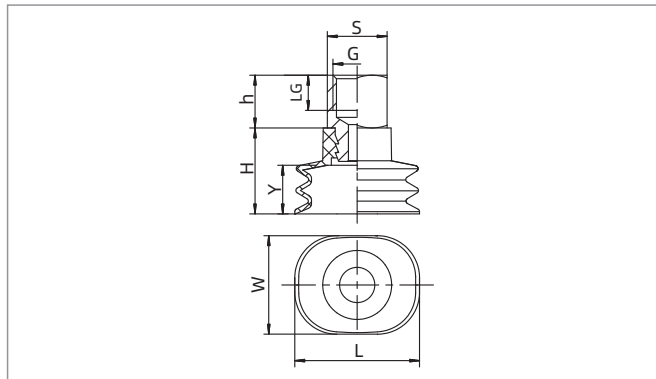
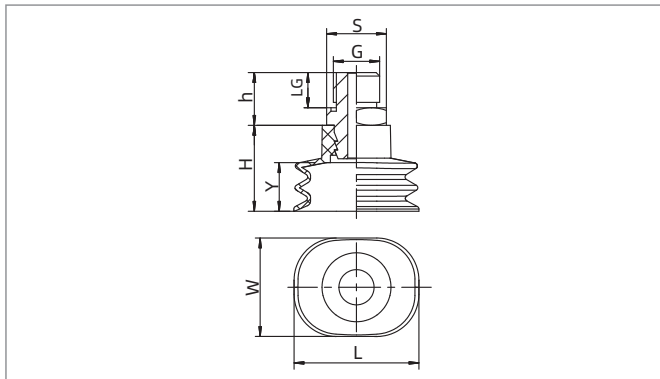
- SZ
- SP3
- SUF
- SAN
- SAO
- SOFA
- STP
- SFT
- SFA
- SBT
- SBL
- SBLP
- SBS
- SFP
- SBP
- SXP
- SGP
- SBOF
- STC
- SFF
- SOB
- SOF
- SOG
- SFM
- SOM
- SBF
- SDM
- SFU
- SKF
- SHT
- SDL
- SFG
- SFGT
- SFD
- SB
- SBA
- SF
- SU
- SP2F
- SPA
- SPD
- SPF
- SPC
- SPJ
- SPU
- SH
- SHB
- SBB
- SOP
- SNP

SBOF Series

2.5 Bellows Oval Suction Cup



Dimensions(mm) - Suction cup with fitting



SBOF - Male thread connection

SBOF - Female thread connection

Model/Size	L	W	H	h	G	LG	S	Y
SBOF35×28V-M10M	35	28	24.5	15	M10×1.5	10	17	12
SBOF35×28V-G2M	35	28	24.5	15	G1/4	10	17	12
SBOF35×28V-G2F	35	28	24.5	15	G1/4	12	17	12
SBOF45×28V-M10M	45	28	25	15	M10×1.5	10	17	13
SBOF45×28V-G2M	45	28	25	15	G1/4	10	17	13
SBOF45×28V-G2F	45	28	25	15	G1/4	12	17	13

◇ Note: The dimensional tolerance conforms to GBT3672.1-2002-1 M3 rubber product dimensional tolerance standard

Mounting parts

Item	Model	Applicable suction cup
Fitting for suction cup	PJS-M10M-SBOF	SBOF35×28,SBOF45×28
	PJS-G2M-SBOF	SBOF35×28,SBOF45×28
	PJS-G2F-SBOF	SBOF35×28,SBOF45×28

STC Series

1.5 Bellows Suction Cup Special for Metal Sheet



Suction Cup

Features

- ◇ 1.5 Bellows structure
- ◇ Internal large area pattern support structure
- ◇ Various sizes and specifications are available

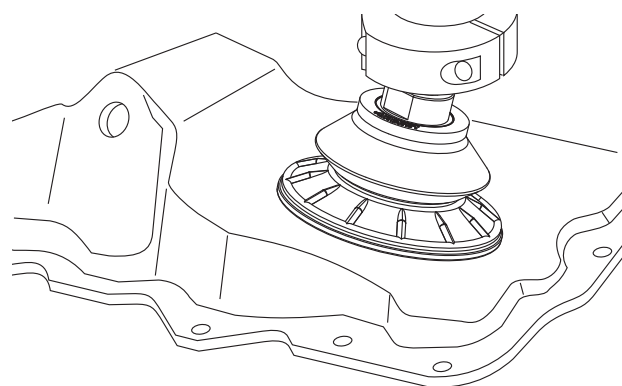
Advantages

- ◇ Easy to fit the uneven surface of workpiece, and has buffer effect
- ◇ Effectively enhance friction force between suction cups and workpieces
- ◇ The max. temp of HK material is 250°C, it can be used to pick up high temp metal sheet
- ◇ The max. temp of HD material is 160°C, it can be used to pick up high temp glass without mark
- ◇ Suitable for workpieces with different sizes and shapes



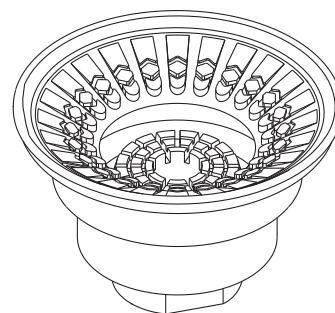
Applications

- ◇ Suitable for fast handling of metal plates, short cycle time
- ◇ Handling metal sheet and aluminum plates without deformation
- ◇ The internal special pattern groove design prevents the oily sheet metal from slipping during handling
- ◇ Used in automotive stamping metal parts handling system



Structure

- ◇ 1.5 Bellows structure, large compressed stroke
- ◇ Suction cup and fitting are one-piece structure design



- SZ
- SP3
- SUF
- SAN
- SAO
- SOFA
- STP
- SFT
- SFA
- SBT
- SBL
- SBLP
- SBS
- SFP
- SBP
- SXP
- SGP
- SBOF**
- STC**
- SFF
- SOB
- SOF
- SOG
- SFM
- SOM
- SBF
- SDM
- SFU
- SFK
- SHT
- SDL
- SFG
- SFGT
- SFD
- SB
- SBA
- SF
- SU
- SP2F
- SPA
- SPD
- SPF
- SPC
- SPJ
- SPU
- SH
- SHB
- SBB
- SOP
- SNP

1.5 Bellows Suction Cup Special for Metal Sheet

How to order

STC 50 N - G3F

① ② ③ ④

① Series	② Diameter	③ Material & Hardness	④ Connection thread
STC	22 - ϕ 22mm	N - NBR	60 G2F - G1/4 female thread
	30 - ϕ 30mm	HK - Extra high temp rubber	65 G3F - G3/8 female thread
	40 - ϕ 40mm	HD - High temp/mark free material	60 G2M - G1/4 male thread
	50 - ϕ 50mm		M10M - M10 \times 1.5 male thread
	60 - ϕ 60mm		M14M - M14 \times 1.5 male thread
	80 - ϕ 80mm		RA - Rectangular adapter
	100 - ϕ 100mm		
	125 - ϕ 125mm		

Selection

Model	Connection thread					
	G2M	M10M	M14M	G2F	G3F	RA
STC22N-□	STC22N-G2M	STC22N-M10M	STC22N-M14M	STC22N-G2F	STC22N-G3F	STC22N-RA
STC30N-□	STC30N-G2M	STC30N-M10M	STC30N-M14M	STC30N-G2F	STC30N-G3F	STC30N-RA
STC40N-□	STC40N-G2M	STC40N-M10M	STC40N-M14M	STC40N-G2F	STC40N-G3F	STC40N-RA
STC50N-□	STC50N-G2M	STC50N-M10M	STC50N-M14M	STC50N-G2F	STC50N-G3F	STC50N-RA
STC60N-□	STC60N-G2M	STC60N-M10M	STC60N-M14M	STC60N-G2F	STC60N-G3F	STC60N-RA
STC80N-□	STC80N-G2M	STC80N-M10M	STC80N-M14M	STC80N-G2F	STC80N-G3F	STC80N-RA
STC100N-□	STC100N-G2M	STC100N-M10M	STC100N-M14M	STC100N-G2F	STC100N-G3F	STC100N-RA
STC125N-□	STC125N-G2M	STC125N-M10M	STC125N-M14M	STC125N-G2F	STC125N-G3F	STC125N-RA

Technical parameters

Model	Vertical pull-out force N	Lateral pull-out force N	Lateral pull-out force Oily surface (N)	Inner volume cm ³	Min.curve radius of workpiece mm	Weight g	Recommended hose dia. mm	MPQ pcs
STC22	23	20	6.5	1.5	20	8.6	6	5
STC30	35	28	12	6.3	35	12	6	5
STC40	62	37	34	7.2	40	13.5	6	1
STC50	85	58	55	11.2	45	21	8	1
STC60	141	88	83	22.5	52	29	8	1
STC80	236	141	136	57	70.5	51	8	1
STC100	371	228	221	92	95	77	8	1
STC125	558	352	335	191	140	165	10	1

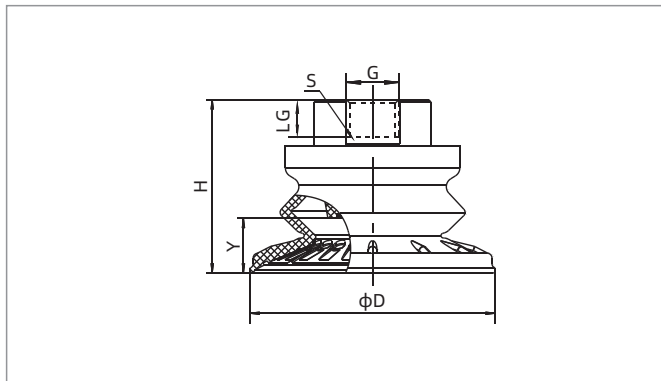
◇ Note: Testing vacuum level -60kPa, workpiece with smooth and clean surface. The data of pull-out force as above are figured out without considering safety factor. The data may be different according to different workpiece surfaces

STC Series

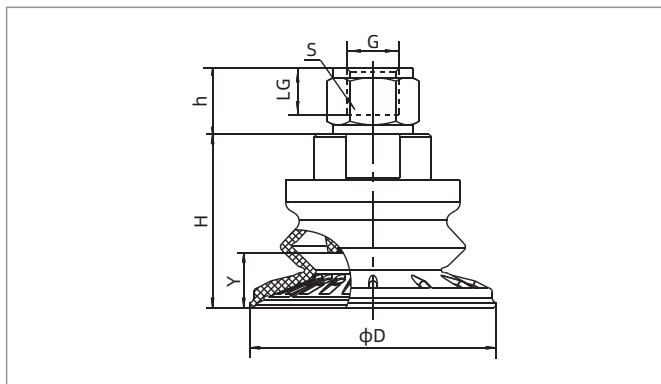
1.5 Bellows Suction Cup Special for Metal Sheet



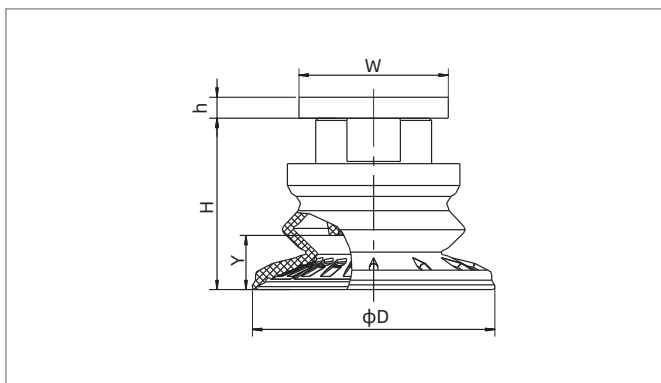
Dimensions(mm)



F - Female thread



F - Female thread



RA - Rectangular adapter

Model/Size	D	H	G	LG	S	Y
STC22N-G2F	22	25	G1/4	10	16	5.5
STC30N-G2F	32	28	G1/4	11	17	9.5
STC40N-G2F	42	28.5	G1/4	11	17	10
STC50N-G3F	52	36.2	G3/8	13	22	11.5
STC60N-G3F	62.5	41	G3/8	13	22	14.5
STC80N-G3F	82	49.5	G3/8	13	22	22.5
STC100N-G3F	103	55	G3/8	13	22	25
STC125N-G3F	128	68	G3/8	13	22	32

Model/Size	D	H	G	h	LG	S	Y
STC22N-G3F	22	25	G3/8	14	11	22	5.5
STC30N-G3F	32	28	G3/8	14	11	22	9.5
STC40N-G3F	42	28.5	G3/8	14	11	22	10
STC50N-G2F	52	36.2	G1/4	14	11	22	11.5
STC60N-G2F	62.5	41	G1/4	14	11	22	14.5
STC80N-G2F	82	49.5	G1/4	14	11	22	22.5
STC100N-G2F	103	55	G1/4	14	11	22	25
STC125N-G2F	128	68	G1/4	14	11	22	32

Model/Size	D	H	W	h	Y
STC22N-RA	22	25	31.8×31.8	4.7	5.5
STC30N-RA	32	28	31.8×31.8	4.7	9.5
STC40N-RA	42	28.5	31.8×31.8	4.7	10
STC50N-RA	52	36.2	31.8×31.8	4.7	11.5
STC60N-RA	62.5	41	31.8×31.8	4.7	14.5
STC80N-RA	82	49.5	31.8×31.8	4.7	22.5
STC100N-RA	103	55	31.8×31.8	4.7	25
STC125N-RA	128	68	31.8×31.8	4.7	32

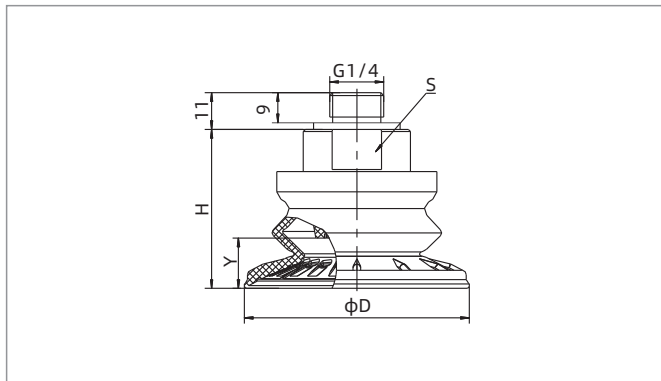
- SZ
- SP3
- SUF
- SAN
- SAO
- SOFA
- STP
- SFT
- SFA
- SBT
- SBL
- SBLP
- SBS
- SFP
- SBP
- SXP
- SGP
- SBOF
- STC
- SFF
- SOB
- SOF
- SOG
- SFM
- SOM
- SBF
- SDM
- SFU
- SFK
- SHT
- SDL
- SFG
- SFGT
- SFD
- SB
- SBA
- SF
- SU
- SP2F
- SPA
- SPD
- SPF
- SPC
- SPJ
- SPU
- SH
- SHB
- SBB
- SOP
- SNP

STC Series



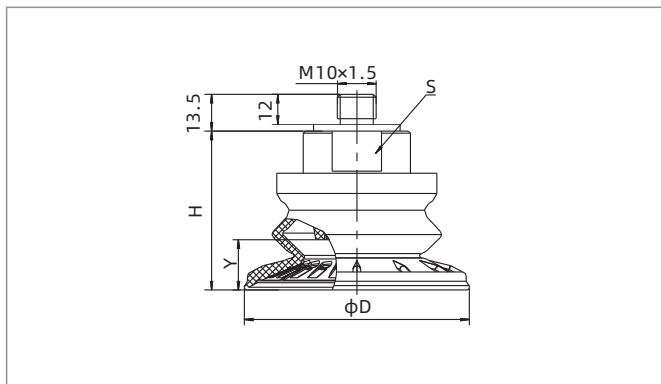
1.5 Bellows Suction Cup Special for Metal Sheet

Dimensions(mm)



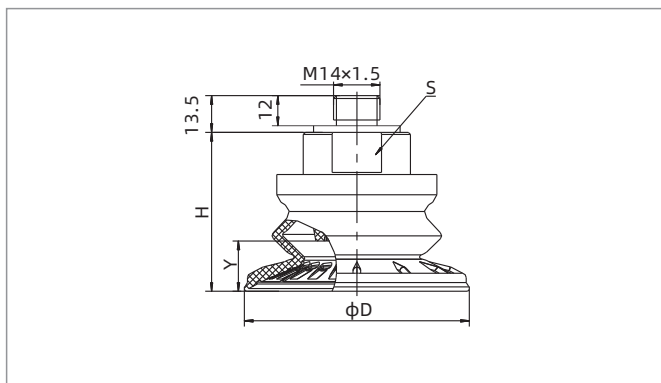
M - Male thread

Model/Size	D	H	S	Y
STC22N-G2M	22	25	17	5.5
STC30N-G2M	32	28	17	9.5
STC40N-G2M	42	28.5	17	10
STC50N-G2M	52	36.2	22	11.5
STC60N-G2M	62.5	41	22	14.5
STC80N-G2M	82	49.5	22	22.5
STC100N-G2M	103	55	22	25
STC125N-G2M	128	68	22	32



M - Male thread

Model/Size	D	H	S	Y
STC22N-M10M	22	25	17	5.5
STC30N-M10M	32	28	17	9.5
STC40N-M10M	42	28.5	17	10
STC50N-M10M	52	36.2	22	11.5
STC60N-M10M	62.5	41	22	14.5
STC80N-M10M	82	49.5	22	22.5
STC100N-M10M	103	55	22	25
STC125N-M10M	128	68	22	32



M - Male thread

Model/Size	D	H	S	Y
STC22N-M14M	22	25	17	5.5
STC30N-M14M	32	28	17	9.5
STC40N-M14M	42	28.5	17	10
STC50N-M14M	52	36.2	22	11.5
STC60N-M14M	62.5	41	22	14.5
STC80N-M14M	82	49.5	22	22.5
STC100N-M14M	103	55	22	25
STC125N-M14M	128	68	22	32

◇ Note: The dimensional tolerance conforms to GB/T3672.1-2002-1 M3 rubber product dimensional tolerance standard

SFF Series

Flat Suction Cup Special for Metal Sheet

AIRBEST



METAL SHEET



SLIPPING RESISTANCE



OILY SURFACE



Suction Cup

Features

- ◇ Internal large area support structure
- ◇ Various sizes are available

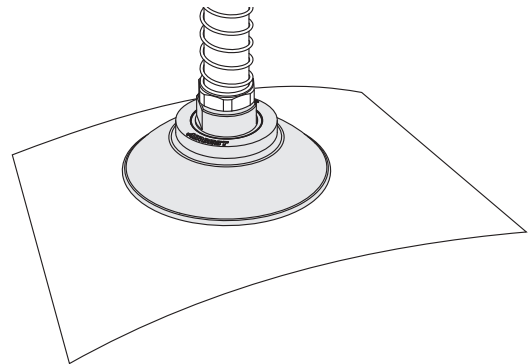
Advantages

- ◇ Effectively enhance the friction force between suction cups and workpieces
- ◇ The max. temp of HK material is 250°C, it can be used to pick up high temp metal sheet
- ◇ The max. temp of HD material is 160°C, it can be used to pick up high temp glass without mark
- ◇ Suitable for workpieces with different sizes and shapes



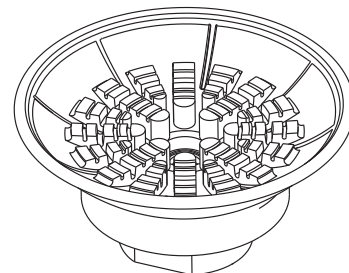
Applications

- ◇ Handling of oily metal sheet
- ◇ Handling metal sheet and aluminum plates without deformation
- ◇ Used for loading and unloading of material during CNC or machine tool processing
- ◇ Handling curved metal sheets
- ◇ Used in automotive stamping metal parts handling systems



Structure

- ◇ Suction cup and fitting are one-piece structure



SZ
SP3
SUF
SAN
SAO
SOFA
STP
SFT
SFA
SBT
SBL
SBLP
SBS
SFP
SBP
SXP
SGP
SBOF
STC
SFF
SOB
SOF
SOG
SFM
SOM
SBF
SDM
SFU
SFK
SHT
SDL
SFG
SFGT
SFD
SB
SBA
SF
SU
SP2F
SPA
SPD
SPF
SPC
SPJ
SPU
SH
SHB
SBB
SOP
SNP

SFF Series

Flat Suction Cup Special for Metal Sheet

How to order

SFF 50 N - G3F

① ② ③ ④

① Series	② Diameter	③ Material & Hardness	④ Connection thread
SFF	30 - ϕ 30mm	N - NBR	60 G2F - G1/4 female thread
	40 - ϕ 40mm	NG - NBR	45 G3F - G3/8 female thread
	50 - ϕ 50mm	HK - Extra high temp rubber	65 G2M - G1/4 male thread
	60 - ϕ 60mm	HD - High temp/mark free material	60 M10M - M10 \times 1.5 male thread
	80 - ϕ 80mm		M14M - M14 \times 1.5 male thread
	100 - ϕ 100mm		RA - Rectangular adapter
	125 - ϕ 125mm		

Selection

Model	Connection thread					
	G2M	M10M	M14M	G2F	G3F	RA
SFF30□-□	SFF30□-G2M	SFF30□-M10M	SFF30□-M14M	SFF30□-G2F	SFF30□-G3F	SFF30□-RA
SFF40□-□	SFF40□-G2M	SFF40□-M10M	SFF40□-M14M	SFF40□-G2F	SFF40□-G3F	SFF40□-RA
SFF50□-□	SFF50□-G2M	SFF50□-M10M	SFF50□-M14M	SFF50□-G2F	SFF50□-G3F	SFF50□-RA
SFF60□-□	SFF60□-G2M	SFF60□-M10M	SFF60□-M14M	SFF60□-G2F	SFF60□-G3F	SFF60□-RA
SFF80□-□	SFF80□-G2M	SFF80□-M10M	SFF80□-M14M	SFF80□-G2F	SFF80□-G3F	SFF80□-RA
SFF100□-□	SFF100□-G2M	SFF100□-M10M	SFF100□-M14M	SFF100□-G2F	SFF100□-G3F	SFF100□-RA
SFF125□-□	SFF125□-G2M	SFF125□-M10M	SFF125□-M14M	SFF125□-G2F	SFF125□-G3F	SFF125□-RA

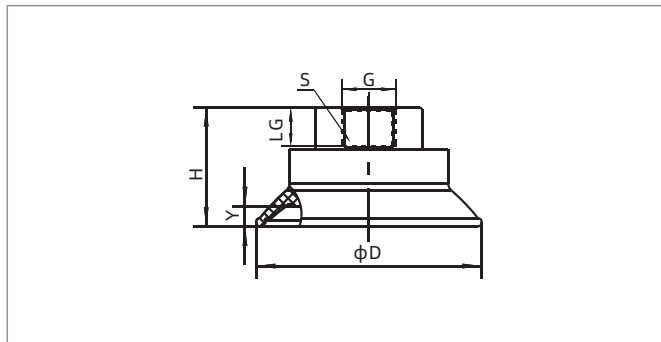
Technical parameters

Model	Vertical pull-out force N	Lateral pull-out force N	Lateral pull-out force Oily surface(N)	Inner volume cm ³	Min.curve radius of workpiece mm	Weight g	Recommended hose dia. mm	MPQ pcs
SFF30	45	35	33	1.6	35	11	6	1
SFF40	72	54	51	3.5	47.5	13	6	1
SFF50	112	90	86	7.5	70	20	8	1
SFF60	145	102	93	12.6	81	26	8	1
SFF80	288	212	190	35	115	43	8	1
SFF100	445	322	308	60	141	57	8	1
SFF125	660	475	400	115	165	145	10	1

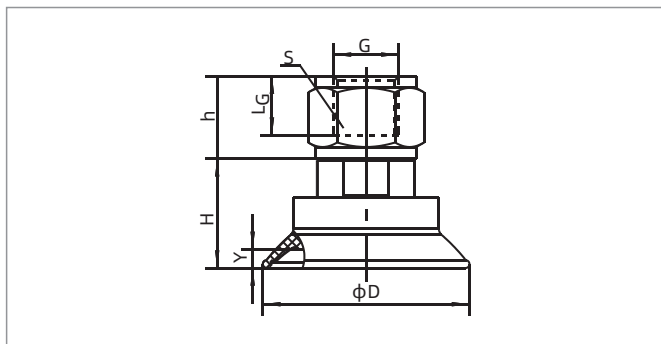
SFF Series

Flat Suction Cup Special for Metal Sheet

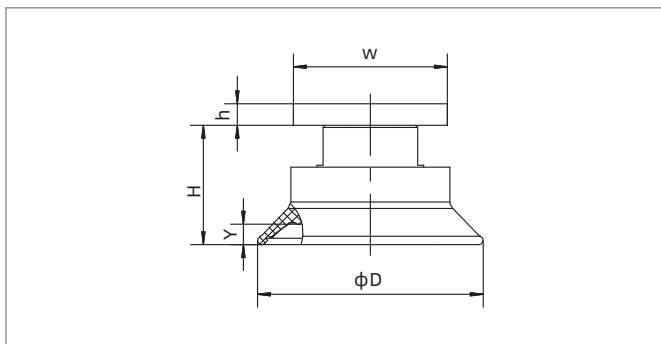
Dimensions(mm)



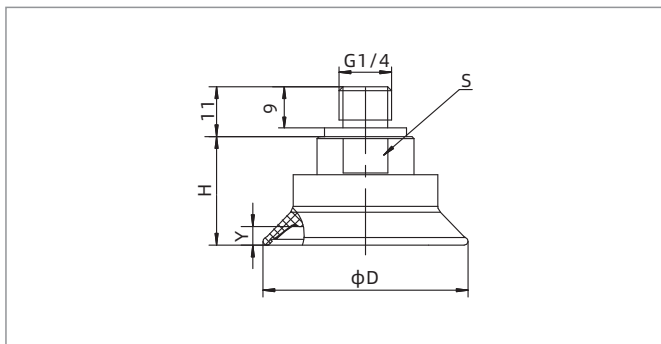
F - Female thread connection



F - Female thread connection



RA - Rectangular adapter



M - Male thread connection

Model/Size	D	H	G	LG	S	Y
SFF30□-G2F	32	19.5	G1/4	11	17	2.7
SFF40□-G2F	42	22	G1/4	11	17	3.4
SFF50□-G3F	52	28	G3/8	13	22	4.7
SFF60□-G3F	62.5	31	G3/8	13	22	6
SFF80□-G3F	83	34.5	G3/8	13	22	6
SFF100□-G3F	102	36.5	G3/8	13	22	9.2
SFF125□-G3F	128	43	G3/8	13	22	12.5

Model/Size	D	H	G	h	LG	S	Y
SFF30□-G3F	32	19.5	G3/8	14	11	22	2.7
SFF40□-G3F	42	22	G3/8	14	11	22	3.4
SFF50□-G2F	52	28	G1/4	14	11	22	4.7
SFF60□-G2F	62.5	31	G1/4	14	11	22	6
SFF80□-G2F	83	34.5	G1/4	14	11	22	6
SFF100□-G2F	102	36.5	G1/4	14	11	22	9.2
SFF125□-G2F	128	43	G1/4	14	11	22	12.5

Model/Size	D	H	W	h	Y
SFF30□-RA	32	19.5	31.8×31.8	4.7	2.7
SFF40□-RA	42	22	31.8×31.8	4.7	3.7
SFF50□-RA	52	28	31.8×31.8	4.7	4.7
SFF60□-RA	62.5	31	31.8×31.8	4.7	6
SFF80□-RA	83	34.5	31.8×31.8	4.7	6
SFF100□-RA	102	36.5	31.8×31.8	4.7	9.2
SFF125□-RA	128	43	31.8×31.8	4.7	12.5

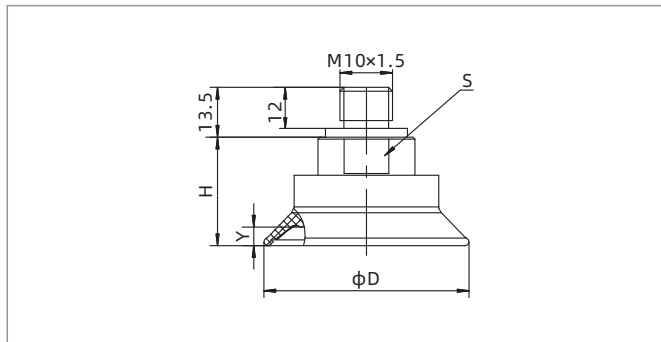
Model/Size	D	H	s	Y
SFF30□-G2M	32	19.5	17	2.7
SFF40□-G2M	42	22	17	3.7
SFF50□-G2M	52	28	22	4.7
SFF60□-G2M	62.5	31	22	6
SFF80□-G2M	83	34.5	22	6
SFF100□-G2M	102	36.5	22	9.2
SFF125□-G2M	128	43	22	12.5

- SZ
- SP3
- SUF
- SAN
- SAO
- SOFA
- STP
- SFT
- SFA
- SBT
- SBL
- SBLP
- SBS
- SFP
- SBP
- SXP
- SGP
- SBOF
- STC
- SFF**
- SOB
- SOE
- SOG
- SFM
- SOM
- SBF
- SDM
- SFU
- SFK
- SHT
- SDL
- SFG
- SFGT
- SFD
- SB
- SBA
- SF
- SU
- SP2F
- SPA
- SPD
- SPF
- SPC
- SPJ
- SPU
- SH
- SHB
- SBB
- SOP
- SNP

SFF Series

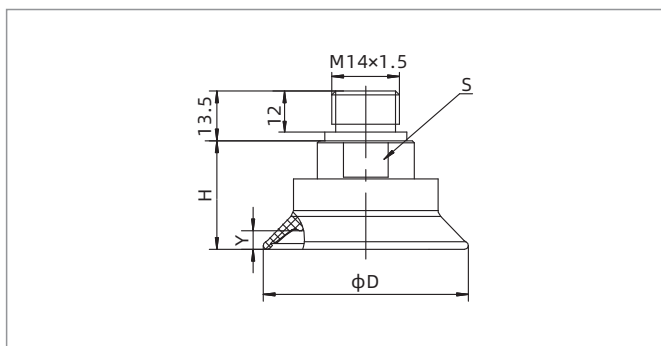
Flat Suction Cup Special for Metal Sheet

Dimensions(mm)



M - Male thread connection

Model/Size	D	H	s	Y
SFF30□-M10M	32	19.5	17	2.7
SFF40□-M10M	42	22	17	3.7
SFF50□-M10M	52	28	22	4.7
SFF60□-M10M	62.5	31	22	6
SFF80□-M10M	83	34.5	22	6
SFF100□-M10M	102	36.5	22	9.2
SFF125□-M10M	128	43	22	12.5



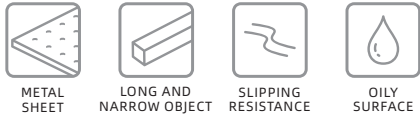
M - Male thread connection

Model/Size	D	H	s	Y
SFF30□-M14M	32	19.5	17	2.7
SFF40□-M14M	42	22	17	3.7
SFF50□-M14M	52	28	22	4.7
SFF60□-M14M	62.5	31	22	6
SFF80□-M14M	83	34.5	22	6
SFF100□-M14M	102	36.5	22	9.2
SFF125□-M14M	128	43	22	12.5

◇ Note: The dimensional tolerance conforms to GB/T3672.1-2002-1 M3 rubber product dimensional tolerance standard

SOB Series

Oval Suction Cup Special for Metal Sheet



Suction Cup

Features

- ◇ 1.5 Bellows oval structure
- ◇ Internal large area pattern support structure
- ◇ Various sizes and specifications are available

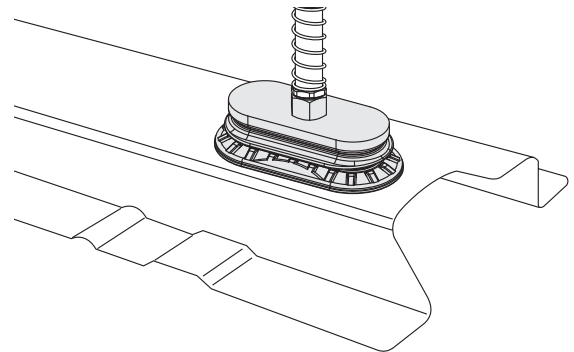
Advantages

- ◇ Handling long and narrow workpieces with even surface or curvature
- ◇ The max. temp of HK material is 250°C, it can be used to pick up high temp metal sheet
- ◇ The max. temp of HD material is 160°C, it can be used to pick up high temp glass without mark
- ◇ Suitable for workpieces with different sizes and shapes



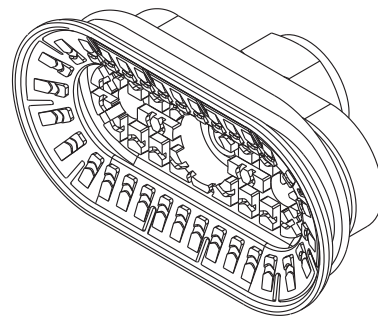
Applications

- ◇ Handling narrow and long metal parts in fast speed, short cycle time
- ◇ Handling metal sheet and aluminum plates without deformation
- ◇ Handling automotive stamping metal parts



Structure

- ◇ 1.5 Bellows structure
- ◇ Suction cup and fitting are one-piece structure



- SZ
- SP3
- SUF
- SAN
- SAO
- SOFA
- STP
- SFT
- SFA
- SBT
- SBL
- SBLP
- SBS
- SFP
- SBP
- SXP
- SGP
- SBOF
- STC
- SFF**
- SOB**
- SOF
- SOG
- SFM
- SOM
- SBF
- SDM
- SFU
- SFK
- SHT
- SDL
- SFG
- SFGT
- SFD
- SB
- SBA
- SF
- SU
- SP2F
- SPA
- SPD
- SPF
- SPC
- SPJ
- SPU
- SH
- SHB
- SBB
- SOP
- SNP

SOB Series

Oval Suction Cup Special for Metal Sheet

How to order

SOB 30×60 N - G3F

① ② ③ ④

① Series	② Size	③ Material & Hardness	④ Connection thread
SOB	30×60	N - NBR	60 G2F - G1/4 female thread
	40×80	HK - Extra high temp rubber	65 G3F - G3/8 female thread
	55×110	HD - High temp/mark free material	60 G2M - G1/4 male thread
	70×140		M10M - M10×1.5 male thread M14M - M14×1.5 male thread RA - Rectangular adapter

Selection

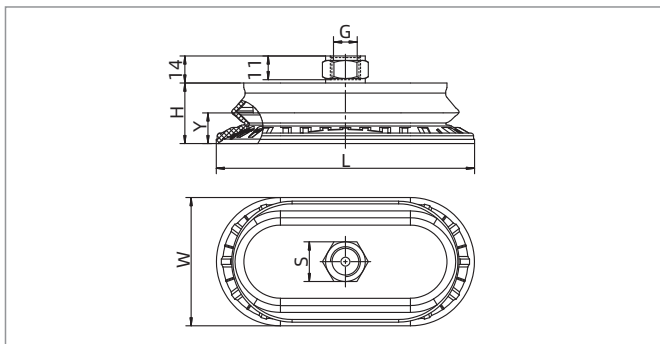
Model	Connection thread					
	G2M	M10M	M14M	G2F	G3F	RA
SOB30×60N-□	SOB30×60N-G2M	SOB30×60N-M10M	SOB30×60N-M14M	SOB30×60N-G2F	SOB30×60N-G3F	SOB30×60N-RA
SOB40×80N-□	SOB40×80N-G2M	SOB40×80N-M10M	SOB40×80N-M14M	SOB40×80N-G2F	SOB40×80N-G3F	SOB40×80N-RA
SOB55×110N-□	SOB55×110N-G2M	SOB55×110N-M10M	SOB55×110N-M14M	SOB55×110N-G2F	SOB55×110N-G3F	SOB55×110N-RA
SOB70×140N-□	SOB70×140N-G2M	SOB70×140N-M10M	SOB70×140N-M14M	SOB70×140N-G2F	SOB70×140N-G3F	SOB70×140N-RA

Technical parameters

Model	Vertical pull-out force N	Lateral pull-out force N	Lateral pull-out force (Oily surface)N	Inner volume cm ³	Min.curve radius of workpiece mm	Weight g	Recommended hose dia. mm	MPQ pcs
SOB30×60	53	60	50	8.7	25	26	6	1
SOB40×80	110	118	101	20	32	33	8	1
SOB55×110	197	200	183	50	50	75	8	1
SOB70×140	275	295	267	100	70	117	8	1

◇ Note: Testing vacuum level -60kPa, workpiece with smooth and clean surface. The data of pull-out force as above are figured out without considering safety factor. The data may be different according to different workpiece surfaces

Dimensions(mm)



Model/Size	L	W	H	G	S	Y
SOB30×60N-G2F	62	31	20	G1/4	17	6
SOB30×60N-G3F	62	31	20	G3/8	22	6
SOB40×80N-G2F	82	41	22.7	G1/4	17	8.8
SOB40×80N-G3F	82	41	22.7	G3/8	22	8.8
SOB55×110N-G2F	112	57	29	G1/4	17	12.5
SOB55×110N-G3F	112	57	29	G3/8	22	12.5
SOB70×140N-G2F	143	70.5	33	G1/4	17	17
SOB70×140N-G3F	143	70.5	33	G3/8	22	17

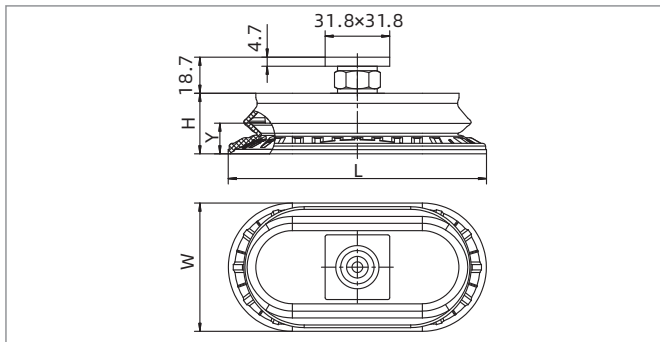
F - Female thread connection

SOB Series

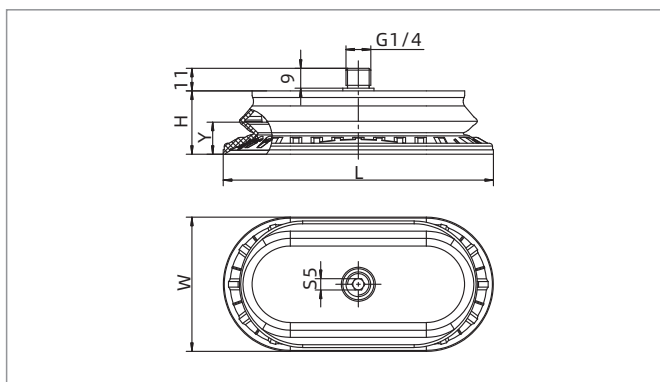
Oval Suction Cup Special for Metal Sheet



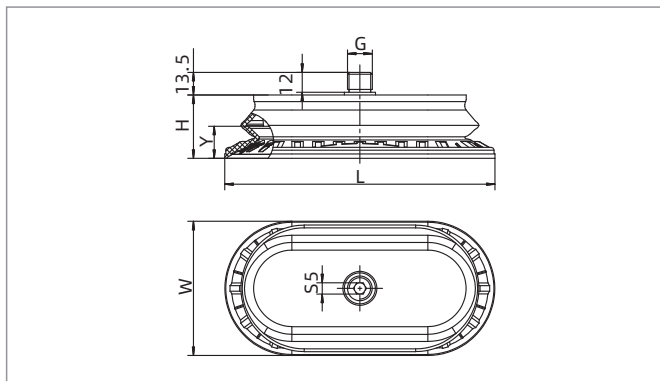
Dimensions(mm)



RA - Rectangular adapter



M - Male thread connection



M - Male thread connection

◇ Note: The dimensional tolerance conforms to GBT3672.1-2002-1 M3 rubber product dimensional tolerance standard

Model/Size	L	W	H	Y
SOB30×60N-RA	62	31	20	6
SOB40×80N-RA	82	41	22.7	8.8
SOB55×110N-RA	112	57	29	12.5
SOB70×140N-RA	143	70.5	33	17

Model/Size	L	W	H	Y
SOB30×60N-G2M	62	31	20	6
SOB40×80N-G2M	82	41	22.7	8.8
SOB55×110N-G2M	112	57	29	12.5
SOB70×140N-G2M	143	70.5	33	17

Model/Size	L	W	H	G	Y
SOB30×60N-M10M	62	31	20	M10×1.5	6
SOB30×60N-M14M	62	31	20	M14×1.5	6
SOB40×80-M10M	82	41	22.7	M10×1.5	8.8
SOB40×80N-M14M	82	41	22.7	M14×1.5	8.8
SOB55×110-M10M	112	57	29	M10×1.5	12.5
SOB55×110N-M14M	112	57	29	M14×1.5	12.5
SOB70×140-M10M	143	70.5	33	M10×1.5	17
SOB70×140N-M14M	143	70.5	33	M14×1.5	17

- SZ
- SP3
- SUF
- SAN
- SAO
- SOFA
- STP
- SFT
- SFA
- SBT
- SBL
- SBLP
- SBS
- SFP
- SBP
- SXP
- SGP
- SBOF
- STC
- SFF
- SOB**
- SOF
- SOG
- SFM
- SOM
- SBF
- SDM
- SFU
- SFK
- SHT
- SDL
- SFG
- SFGT
- SFD
- SB
- SBA
- SF
- SU
- SP2F
- SPA
- SPD
- SPF
- SPC
- SPJ
- SPU
- SH
- SHB
- SBB
- SOP
- SNP

SOF Series

Oval Flat Suction Cup Special for Metal Sheet



METAL SHEET



LONG AND NARROW OBJECT



SLIPPING RESISTANCE



OILY SURFACE



Features

- ◇ Oval flat suction cup
- ◇ Internal large area pattern support structure
- ◇ Various sizes are available

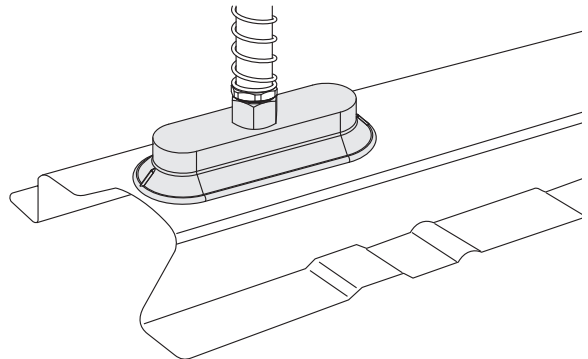
Advantages

- ◇ Handling long and narrow workpieces
- ◇ Effectively enhance friction force between suction cups and workpieces
- ◇ The max. temp of HK material is 250°C, it can be used to pick up high temp metal sheet
- ◇ The max. temp of HD material is 160°C, it can be used to pick up high temp glass without mark
- ◇ Suitable for workpieces with different sizes and shapes



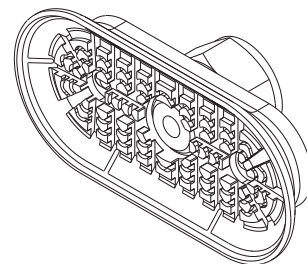
Applications

- ◇ Handling narrow and long metal parts in fast speed, short cycle time
- ◇ Handling metal sheet and aluminum plates without deformation
- ◇ Handling automotive stamping metal parts



Structure

- ◇ Suction cup and fitting are one-piece structure



SOF Series

Oval Flat Suction Cup Special for Metal Sheet

How to order

SOF 40×80 N - G3F

① ② ③ ④

① Series	② Size	③ Material & Hardness	④ Connection thread
SOF	16×50 40×110	N - NBR	G2F - G1/4 female thread
	20×80 50×100	NG - NBR	G3F - G3/8 female thread
	23×60 60×120	HK - Extra high temp rubber	G2M - G1/4 male thread
	30×90 70×140	HD - High temp/mark free material	M10M - M10×1.5 male thread
	40×80		M14M - M14×1.5 male thread
			RA - Rectangular adapter

Selection

Model	Connection thread					
	G2M	M10M	M14M	G2F	G3F	RA
SOF16×50□-□	SOF16×50□-G2M	SOF16×50□-M10M	SOF16×50□-M14M	SOF16×50□-G2F	SOF16×50□-G3F	SOF16×50□-RA
SOF20×80□-□	SOF20×80□-G2M	SOF20×80□-M10M	SOF20×80□-M14M	SOF20×80□-G2F	SOF20×80□-G3F	SOF20×80□-RA
SOF23×60□-□	SOF23×60□-G2M	SOF23×60□-M10M	SOF23×60□-M14M	SOF23×60□-G2F	SOF23×60□-G3F	SOF23×60□-RA
SOF40×80□-□	SOF40×80□-G2M	SOF40×80□-M10M	SOF40×80□-M14M	SOF40×80□-G2F	SOF40×80□-G3F	SOF40×80□-RA
SOF30×90□-□	SOF30×90□-G2M	SOF30×90□-M10M	SOF30×90□-M14M	SOF30×90□-G2F	SOF30×90□-G3F	SOF30×90□-RA
SOF40×110□-□	SOF40×110□-G2M	SOF40×110□-M10M	SOF40×110□-M14M	SOF40×110□-G2F	SOF40×110□-G3F	SOF40×110□-RA
SOF50×100□-□	SOF50×100□-G2M	SOF50×100□-M10M	SOF50×100□-M14M	SOF50×100□-G2F	SOF50×100□-G3F	SOF50×100□-RA
SOF60×120□-□	SOF60×120□-G2M	SOF60×120□-M10M	SOF60×120□-M14M	SOF60×120□-G2F	SOF60×120□-G3F	SOF60×120□-RA
SOF70×140□-□	SOF70×140□-G2M	SOF70×140□-M10M	SOF70×140□-M14M	SOF70×140□-G2F	SOF70×140□-G3F	SOF70×140□-RA

Technical parameters

Model	Vertical pull-out force N	Lateral pull-out force N	Lateral pull-out force (Oily surface)N	Inner volume cm ³	Min.curve radius of workpiece mm	Weight g	Recommended hose dia. mm	MPQ pcs
SOF16×50	33	24	12	2	8	17	4	1
SOF20×80	78	38	35	5	25	23	4	1
SOF23×60	57	37	33	3	20	29	4	1
SOF30×90	125	77	60	10	30	24	4	1
SOF40×80	141	110	100	11	50	43	6	1
SOF40×110	200	188	118	25	35	47	6	1
SOF50×100	217	181	121	20	75	56	6	1
SOF60×120	312	254	170	35	75	70	6	1
SOF70×140	445	344	230	52	90	77	8	1

◇ Note: Testing vacuum level -60kPa, workpiece with smooth and clean surface. The data of pull-out force as above are figured out without considering safety factor. The data may be different according to different workpiece surfaces.

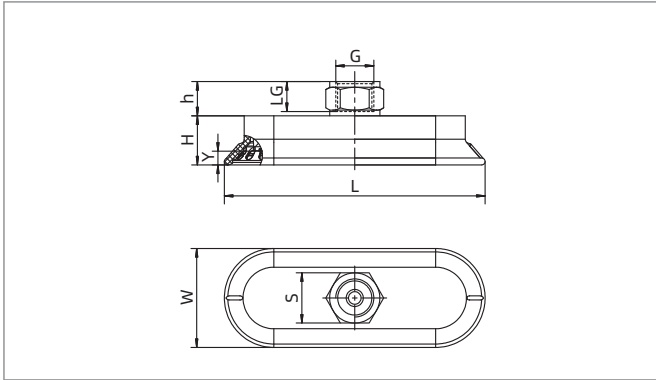
- SZ
- SP3
- SUF
- SAN
- SAO
- SOFA
- STP
- SFT
- SFA
- SBT
- SBL
- SBLP
- SBS
- SFP
- SBP
- SXP
- SGP
- SBOF
- STC
- SFF
- SOB
- SOF**
- SOG
- SFM
- SOM
- SBF
- SDM
- SFU
- SFK
- SHT
- SDL
- SFG
- SFGT
- SFD
- SB
- SBA
- SF
- SU
- SP2F
- SPA
- SPD
- SPF
- SPC
- SPJ
- SPU
- SH
- SHB
- SBB
- SOP
- SNP

SOF Series

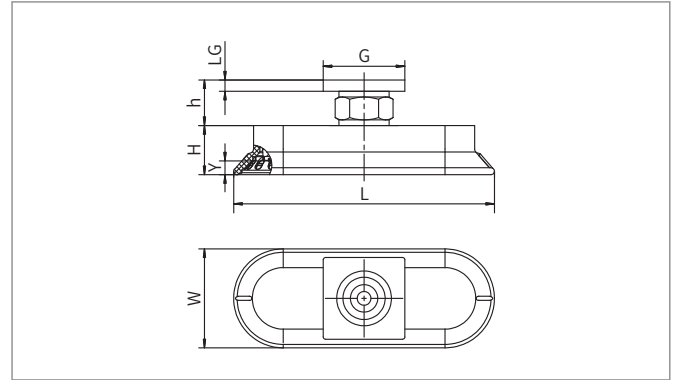


Oval Flat Suction Cup Special for Metal Sheet

Dimensions(mm)



F - Female thread connection



RA-Rectangular adapter

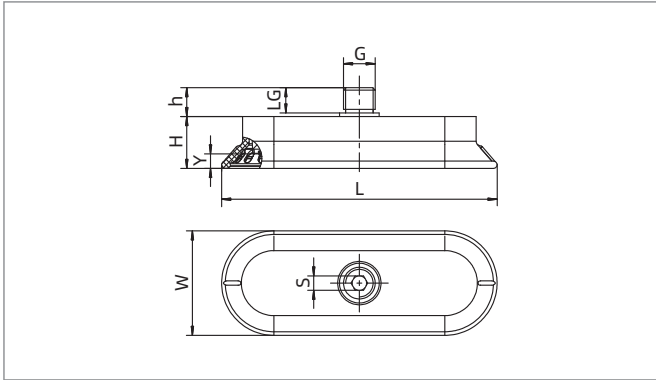
Model/Size	L	W	H	G	LG	h	S	Y
SOF16×50□-G2F	50	16	19.5	G1/4	11	14	17	3
SOF16×50□-G3F	50	16	19.5	G3/8	11	14	22	3
SOF16×50□-RA	50	16	19.5	31.8×31.8	4.7	18.7	-	3
SOF20×80□-G2F	84	24	15.5	G1/4	11	14	17	5
SOF20×80□-G3F	84	24	15.5	G3/8	11	14	22	5
SOF20×80□-RA	84	24	15.5	31.8×31.8	4.7	18.7	-	5
SOF23×60□-G2F	61.5	22.5	12	G1/4	11	14	17	3
SOF23×60□-G3F	61.5	22.5	12	G3/8	11	14	22	3
SOF23×60□-RA	61.5	22.5	12	31.8×31.8	4.7	18.7	-	3
SOF30×90□-G2F	93	33	16	G1/4	11	14	17	5
SOF30×90□-G3F	93	33	16	G3/8	11	14	22	5
SOF30×90□-RA	93	33	16	31.8×31.8	4.7	18.7	-	5
SOF40×80□-G2F	82	43	14	G1/4	11	14	17	4
SOF40×80□-G3F	82	43	14	G3/8	11	14	22	4
SOF40×80□-RA	82	43	14	31.8×31.8	4.7	18.7	-	4
SOF40×110□-G2F	113	43	21.5	G1/4	11	14	17	6
SOF40×110□-G3F	113	43	21.5	G3/8	11	14	22	6
SOF40×110□-RA	113	43	21.5	31.8×31.8	4.7	18.7	-	6
SOF50×100□-G2F	102	49	16	G1/4	11	14	17	5
SOF50×100□-G3F	102	49	16	G3/8	11	14	22	5
SOF50×100□-RA	102	49	16	31.8×31.8	4.7	18.7	-	5
SOF60×120□-G2F	123	65	18	G1/4	11	14	17	6
SOF60×120□-G3F	123	65	18	G3/8	11	14	22	6
SOF60×120□-RA	123	65	18	31.8×31.8	4.7	18.7	-	6
SOF70×140□-G2F	141	67.5	19	G1/4	11	14	17	7
SOF70×140□-G3F	141	67.5	19	G3/8	11	14	22	7
SOF70×140□-RA	141	67.5	19	31.8×31.8	4.7	18.7	-	7

SOF Series

Oval Flat Suction Cup Special for Metal Sheet



Dimensions(mm)



M - Male thread connection

Model/Size	L	W	H	G	LG	h	S	Y
SOF16×50□-G2M	50	16	19.5	G1/4	9	11	5	3
SOF16×50□-M10M	50	16	19.5	M10×1.5	12	13.5	5	3
SOF16×50□-M14M	50	16	19.5	M14×1.5	12	13.5	5	3
SOF20×80□-G2M	84	24	15.5	G1/4	9	11	5	5
SOF20×80□-M10M	84	24	15.5	M10×1.5	12	13.5	5	5
SOF20×80□-M14M	84	24	15.5	M14×1.5	12	13.5	5	5
SOF23×60□-G2M	61.5	22.5	12	G1/4	9	11	5	3
SOF23×60□-M10M	61.5	22.5	12	M10×1.5	12	13.5	5	3
SOF23×60□-M14M	61.5	22.5	12	M14×1.5	12	13.5	5	3
SOF30×90□-G2M	93	33	16	G1/4	9	11	5	5
SOF30×90□-M10M	93	33	16	M10×1.5	12	13.5	5	5
SOF30×90□-M14M	93	33	16	M14×1.5	12	13.5	5	5
SOF40×80□-G2M	82	43	14	G1/4	9	11	5	4
SOF40×80□-M10M	82	43	14	M10×1.5	12	13.5	5	4
SOF40×80□-M14M	82	43	14	M14×1.5	12	13.5	5	4
SOF40×110□-G2M	113	43	21.5	G1/4	9	11	5	6
SOF40×110□-M10M	113	43	21.5	M10×1.5	12	13.5	5	6
SOF40×110□-M14M	113	43	21.5	M14×1.5	12	13.5	5	6
SOF50×100□-G2M	102	49	16	G1/4	9	11	5	5
SOF50×100□-M10M	102	49	16	M10×1.5	12	13.5	5	5
SOF50×100□-M14M	102	49	16	M14×1.5	12	13.5	5	5
SOF60×120□-G2M	123	65	18	G1/4	9	11	5	6
SOF60×120□-M10M	123	65	18	M10×1.5	12	13.5	5	6
SOF60×120□-M14M	123	65	18	M14×1.5	12	13.5	5	6
SOF70×140□-G2M	141	67.5	19	G1/4	9	11	5	7
SOF70×140□-M10M	141	67.5	19	M10×1.5	12	13.5	5	7
SOF70×140□-M14M	141	67.5	19	M14×1.5	12	13.5	5	7

◇ Note: The dimensional tolerance conforms to GB/T3672.1-2002-1 M3 rubber product dimensional tolerance standard

- SZ
- SP3
- SUF
- SAN
- SAO
- SOFA
- STP
- SFT
- SFA
- SBT
- SBL
- SBLP
- SBS
- SFP
- SBP
- SXP
- SGP
- SBOF
- STC
- SFF
- SOB
- SOF**
- SOG
- SFM
- SOM
- SBF
- SDM
- SFU
- SFK
- SHT
- SDL
- SFG
- SFGT
- SFD
- SB
- SBA
- SF
- SU
- SP2F
- SPA
- SPD
- SPF
- SPC
- SPJ
- SPU
- SH
- SHB
- SBB
- SOP
- SNP

SOG Series

AIRBEST

Oval Concave Suction Cup Special for Cylindrical Objects



CYLINDRICAL
OBJECT



BATTERY



SLIPPING
RESISTANCE

RoHS

Features

- ◇ Concave sealing lip structure
- ◇ Internal groove structure

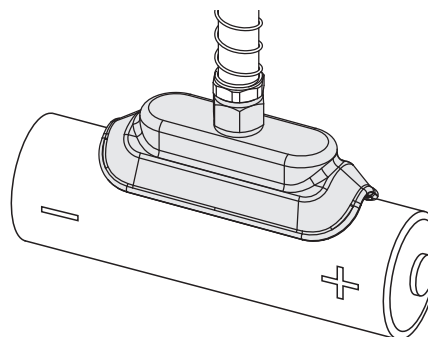
Advantages

- ◇ Suitable for handling cylindrical workpiece
- ◇ Effectively increase the friction force between suction cup and workpiece surface



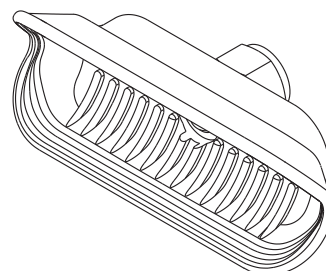
Applications

- ◇ Suitable for cylindrical workpieces, such as steel pipes, plastic round pipes, lithium batteries, etc
- ◇ Handling oily round metal pipes



Structure

- ◇ Concave oval flat structure design



SOG Series

Oval Concave Suction Cup Special for Cylindrical Objects

How to order

SOG 35×100 N - G2F
 ① ② ③ ④

① Series	② Size	③ Material & Hardness	④ Connection thread
SOG	15×40 35×100	N - NBR 45	M5F - M5×0.8 female thread M5M - M5×0.8 male thread G2F - G1/4 female thread G3F - G3/8 female thread G2M - G1/4 male thread M10M - M10×1.5 male thread M14M - M14×1.5 male thread RA - Rectangular adapter

Selection

Model	Connection thread M5M	G2M	M10M	M14M
SOG15×40N-□	SOG15×40N-M5M	-	-	-
SOG35×100N-□	-	SOG35×100N-G2M	SOG35×100N-M10M	SOG35×100N-M14M

Model	Connection thread M5F	G2F	G3F	RA
SOG15×40N-□	SOG15×40N-M5F	-	-	-
SOG35×100N-□	-	SOG35×100N-G2F	SOG35×100N-G3F	SOG35×100N-RA

Technical parameters

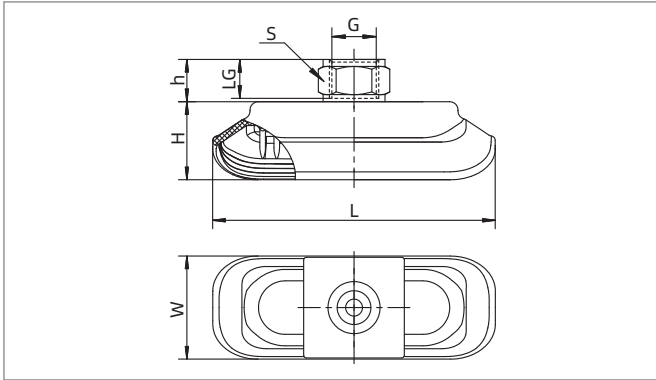
Model	Vertical pull-out force N	Inner volume cm ³	Min.curve radius of workpiece mm	Weight g	Recommended hose dia. mm	MPQ pcs
SOG15×40	22	1.3	8	17	6	5
SOG35×100	122	11	25	23	8	1

◇ Note: Testing vacuum level -60kPa, workpiece with smooth and clean surface. The data of pull-out force as above are figured out without considering safety factor. The data may be different according to different workpiece surfaces.

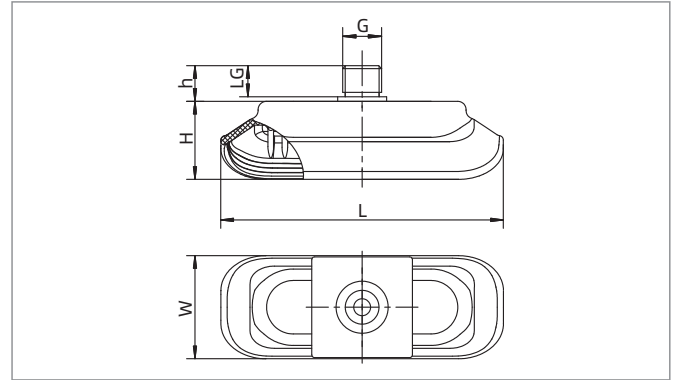
- SZ
- SP3
- SUF
- SAN
- SAO
- SOFA
- STP
- SFT
- SFA
- SBT
- SBL
- SBLP
- SBS
- SFP
- SBP
- SXP
- SGP
- SBOF
- STC
- SFF
- SOB
- SOE
- SOE**
- SFM
- SOM
- SBF
- SDM
- SFU
- SKK
- SHT
- SDL
- SFG
- SFGT
- SFD
- SB
- SBA
- SF
- SU
- SP2F
- SPA
- SPD
- SPF
- SPC
- SPJ
- SPU
- SH
- SHB
- SBB
- SOP
- SNP

Oval Concave Suction Cup Special for Cylindrical Objects

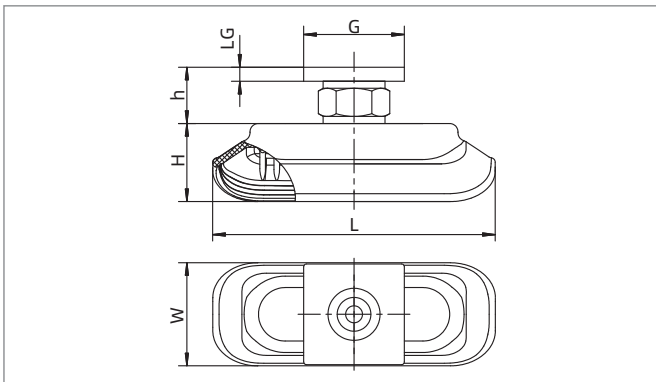
Dimensions(mm)



F - Female thread connection



M - Male thread connection



RA - Rectangular adapter

Model/Size	L	W	H	G	LG	h	S
SOG15×40N-M5F	42	15.5	14	M5×0.8	-	-	-
SOG15×40N-M5M	42	15.5	14	M5×0.8	5	6.5	8
SOG35×100N-G2F	100.5	36.5	28	G1/4	11	14	17
SOG35×100N-G3F	100.5	36.5	28	G3/8	11	14	22
SOG35×100N-G2M	100.5	36.5	28	G1/4	9	11	5
SOG35×100N-M10M	100.5	36.5	28	M10×1.5	12	13.5	5
SOG35×100N-M14M	100.5	36.5	28	M14×1.5	12	13.5	5
SOG35×100N-RA	100.5	36.5	28	31.8×31.8	4.7	18.7	-

◇ Note: The dimensional tolerance conforms to GB/T3672.1-2002-1 M3 rubber product dimensional tolerance standard

SFM Series

Flat Suction Cup Special for Oily Metal Sheet

AIRBEST



METAL SHEET



SLIPPING RESISTANCE



CURVED SURFACE



OILY SURFACE



LONG LIFETIME

Features

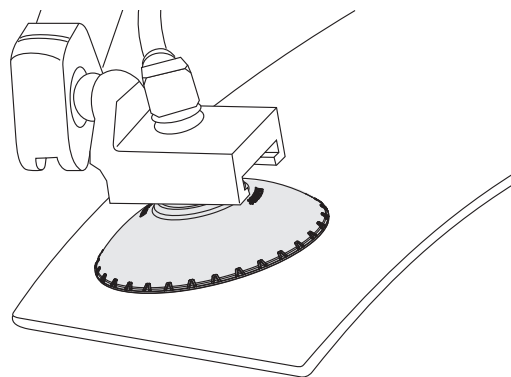
- ◇ Large compressed stroke, good flexibility
- ◇ PU material
- ◇ Internal large area support structure
- ◇ Various sizes are available

Advantages

- ◇ Easy to fit workpieces with different shapes of surfaces
- ◇ Long lifetime, and wear resistance, ozone resistance and oil resistance are excellent
- ◇ Effectively enhance friction force between suction cups and workpieces
- ◇ Suitable for workpieces with different sizes and shapes

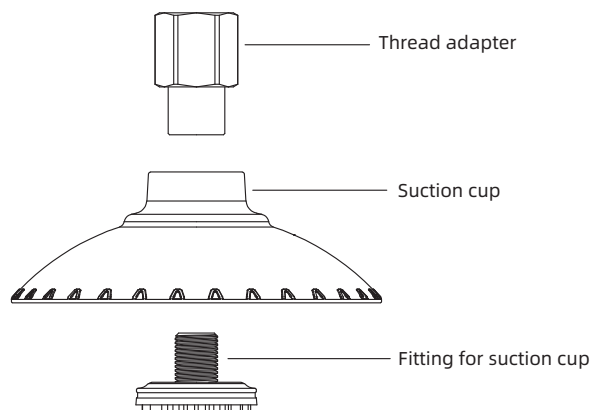
Applications

- ◇ Handling of oily metal sheet
- ◇ Handling curved metal sheet
- ◇ Handling automotive stamping metal parts



Structure

- ◇ Split structure design, wearing parts can be replaced separately



Suction Cup

- SZ
- SP3
- SUF
- SAN
- SAO
- SOFA
- STP
- SFT
- SFA
- SBT
- SBL
- SBLP
- SBS
- SFP
- SBP
- SXP
- SGP
- SBOF
- STC
- SFF
- SOB
- SOE
- SOG**
- SFM**
- SOM
- SBF
- SDM
- SFU
- SFK
- SHT
- SDL
- SFG
- SFGT
- SFD
- SB
- SBA
- SF
- SU
- SP2F
- SPA
- SPD
- SPF
- SPC
- SPJ
- SPU
- SH
- SHB
- SBB
- SOP
- SNP

SFM Series

Flat Suction Cup Special for Oily Metal Sheet

How to order

SFM 50 U - G3F

① ② ③ ④

① Series	② Diameter	③ Material & Hardness	④ Connection thread
SFM	30 - ϕ 30mm	U - PU 70	Nil - Suction cup only
	40 - ϕ 40mm		G1F - G1/8 female thread
	50 - ϕ 50mm		G2F - G1/4 female thread
	60 - ϕ 60mm		G3F - G3/8 female thread
	80 - ϕ 80mm		G2M - G1/4 male thread
	100 - ϕ 100mm		M10M - M10 \times 1.5 male thread
	120 - ϕ 120mm		M14M - M14 \times 1.5 male thread RA - Rectangular adapter

Selection

Model	Connection thread						
	G2M	M10M	M14M	G1F	G2F	G3F	RA
SFM30U	-	SFM30U-M10M	-	SFM30U-G1F	-	-	SFM30U-RA
SFM40U	-	SFM40U-M10M	-	SFM40U-G1F	-	-	SFM40U-RA
SFM50U	SFM50U-G2M	SFM50U-M10M	SFM50U-M14M	-	SFM50U-G2F	SFM50U-G3F	SFM50U-RA
SFM60U	SFM60U-G2M	SFM60U-M10M	SFM60U-M14M	-	SFM60U-G2F	SFM60U-G3F	SFM60U-RA
SFM80U	SFM80U-G2M	SFM80U-M10M	SFM80U-M14M	-	SFM80U-G2F	SFM80U-G3F	SFM80U-RA
SFM100U	SFM100U-G2M	SFM100U-M10M	SFM100U-M14M	-	SFM100U-G2F	SFM100U-G3F	SFM100U-RA
SFM120U	SFM120U-G2M	SFM120U-M10M	SFM120U-M14M	-	SFM120U-G2F	SFM120U-G3F	SFM120U-RA

Technical parameters

Model	Pull-out force N	Inner volume cm ³	Min.curve radius of workpiece mm	Weight g	Recommended hose dia. mm	MPQ pcs
SFM30	45	4.5	25	3.5	6	1
SFM40	70	8.5	30	5.0	6	1
SFM50	112	18.6	35	8.5	8	1
SFM60	150	26	40	11	8	1
SFM80	285	56	60	21	8	1
SFM100	420	105	70	35	10	1
SFM120	580	153	90	55	10	1

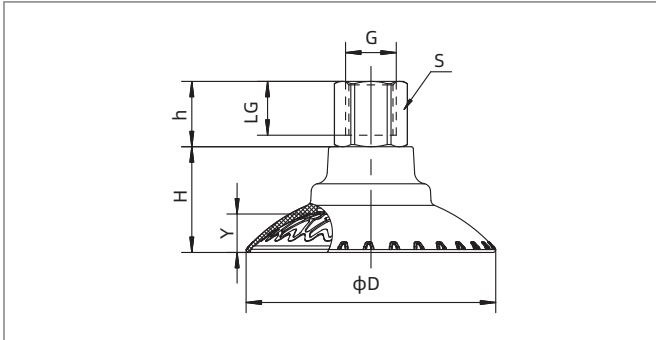
◇ Note: Testing vacuum level -60kPa, workpiece with smooth and clean surface. The data of pull-out force as above are figured out without considering safety factor.
The data may be different according to different workpiece surfaces.

SFM Series

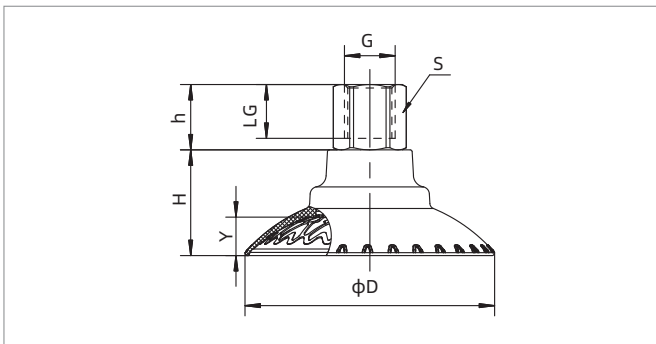
Flat Suction Cup Special for Oily Metal Sheet



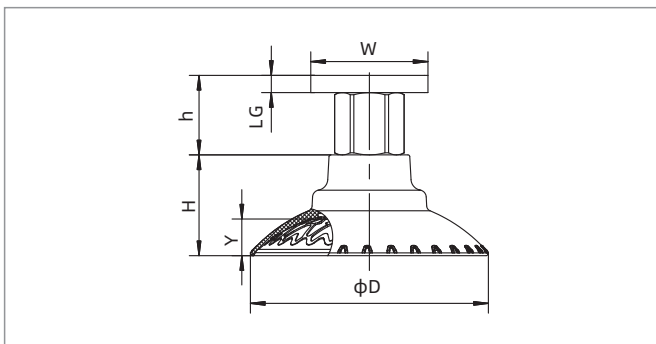
Dimensions(mm)



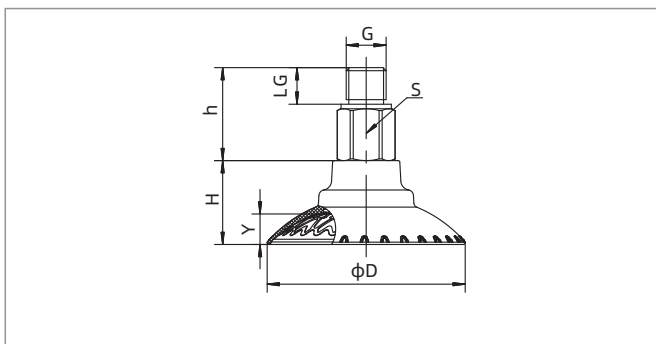
F - Female thread connection



F - Female thread connection



RA - Rectangular adapter



M - Male thread connection

Model/Size	D	H	G	h	LG	S	Y
SFM30U-G1F	34	17.5	G1/8	14	10	14	4
SFM40U-G1F	43.5	20	G1/8	14	10	14	6.3
SFM50U-G2F	55	25	G1/4	17	12	17	7.8
SFM60U-G2F	65	27.5	G1/4	17	12	17	10
SFM80U-G2F	85	30	G1/4	17	12	17	13
SFM100U-G2F	105.5	37	G1/4	17	12	17	15.5
SFM120U-G2F	123	41	G1/4	17	12	17	18.5

Model/Size	D	H	G	h	LG	S	Y
SFM50U-G3F	55	25	G3/8	17	12	22	7.8
SFM60U-G3F	65	27.5	G3/8	17	12	22	10
SFM80U-G3F	85	30	G3/8	17	12	22	13
SFM100U-G3F	105.5	37	G3/8	17	12	22	15.5
SFM120U-G3F	123	41	G3/8	17	12	22	18.5

Model/Size	D	H	w	h	LG	Y
SFM30U-RA	34	17.5	31.8×31.8	21.7	4.7	4
SFM40U-RA	43.5	20	31.8×31.8	21.7	4.7	6.3
SFM50U-RA	55	25	31.8×31.8	21.7	4.7	7.8
SFM60U-RA	65	27.5	31.8×31.8	21.7	4.7	10
SFM80U-RA	85	30	31.8×31.8	21.7	4.7	13
SFM100U-RA	105.5	37	31.8×31.8	21.7	4.7	15.5
SFM120U-RA	123	41	31.8×31.8	21.7	4.7	18.5

Model/Size	D	H	G	h	LG	S	Y
SFM50U-G2M	55	25	G1/4	28	9	17	7.8
SFM60U-G2M	65	27.5	G1/4	28	9	17	10
SFM80U-G2M	85	30	G1/4	28	9	17	13
SFM100U-G2M	105.5	37	G1/4	28	9	17	15.5
SFM120U-G2M	123	41	G1/4	28	9	17	18.5

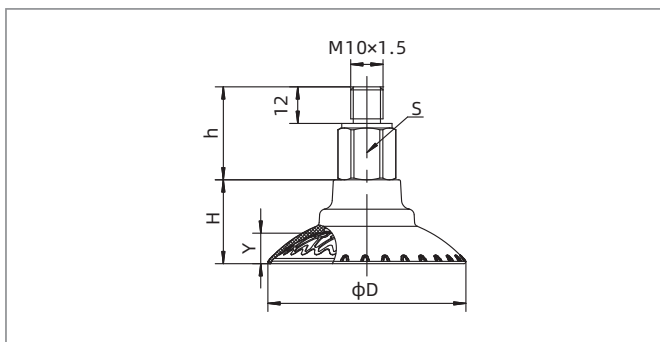
- SZ
- SP3
- SUF
- SAN
- SAO
- SOFA
- STP
- SFT
- SFA
- SBT
- SBL
- SBLP
- SBS
- SFP
- SBP
- SXP
- SGP
- SBOF
- STC
- SFF
- SOB
- SOF
- SOG
- SFM**
- SOM
- SBF
- SDM
- SFU
- SFK
- SHT
- SDL
- SFG
- SFGT
- SFD
- SB
- SBA
- SF
- SU
- SP2F
- SPA
- SPD
- SPF
- SPC
- SPJ
- SPU
- SH
- SHB
- SBB
- SOP
- SNP

SFM Series



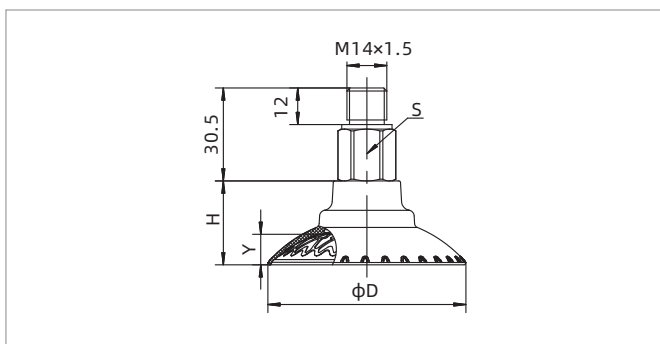
Flat Suction Cup Special for Oily Metal Sheet

Dimensions(mm)



M - Male thread connection

Model/Size	D	H	h	S	Y
SFM30U-M10M	34	17.5	27.5	14	4
SFM40U-M10M	43.5	20	27.5	14	6.3
SFM50U-M10M	55	25	30.5	17	7.8
SFM60U-M10M	65	27.5	30.5	17	10
SFM80U-M10M	85	30	30.5	17	13
SFM100U-M10M	105.5	37	30.5	17	15.5
SFM120U-M10M	123	41	30.5	17	18.5

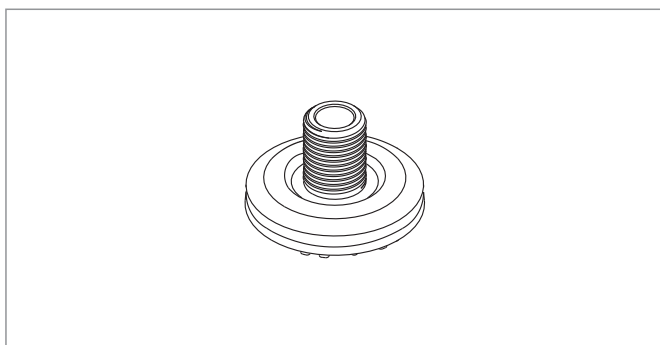


M - Male thread connection

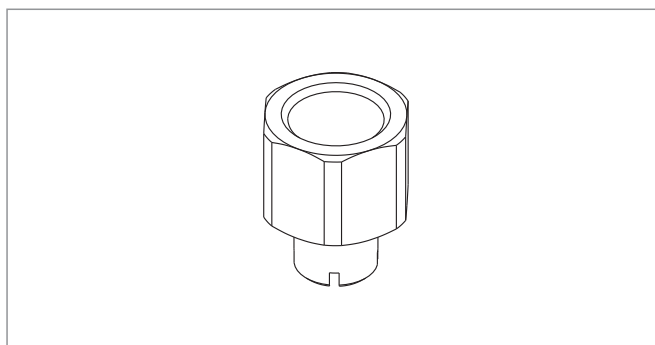
Model/Size	D	H	h	S	Y
SFM50U-M14M	55	25	30.5	17	7.8
SFM60U-M14M	65	27.5	30.5	17	10
SFM80U-M14M	85	30	30.5	17	13
SFM100U-M14M	105.5	37	30.5	17	15.5
SFM120U-M14M	123	41	30.5	17	18.5

◇ Note: The dimensional tolerance conforms to GB/T3672.1-2002-1 M3 rubber product dimensional tolerance standard

Mounting parts



PJS - Fitting for suction cup



PJT - Thread adapter

Item	Model	Applicable suction cup
Fitting for suction cup	PJS-M8M-SFM40	SFM30,40
	PJS-G1M-SFM80	SFM50,60,80
	PJS-G1M-SFM120	SFM100,120
Thread adapter	PJT-M8F-G1F	SFM30,40
	PJT-G1F-G2F	SFM50,60,80,100,120
	PJT-G1F-G3F	SFM50,60,80,100,120

SOM Series

Oval Flat Suction Cup Special for Long and Narrow Objects



Suction Cup

Features

- ◇ Large stroke and good flexibility
- ◇ PU material
- ◇ Internal large area pattern support structure
- ◇ Non-rotating structure
- ◇ Various sizes are available

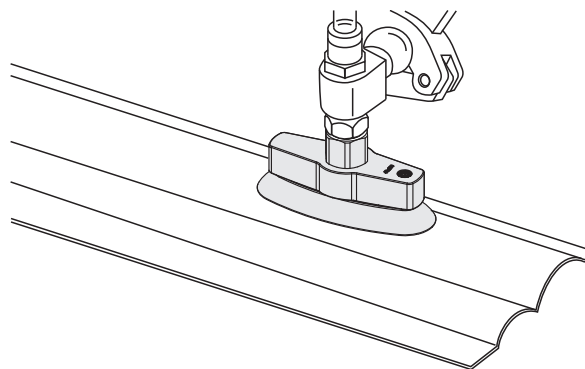
Advantages

- ◇ Easy to fit the workpieces with different shapes of surfaces
- ◇ Long lifetime, excellent wear resistance, ozone resistance, oil resistance
- ◇ Effectively increase friction force between suction cups and workpieces
- ◇ The parts can be recycled
- ◇ The direction of suction cup can be accurately positioned according to workpiece shape
- ◇ Suitable for workpieces with different sizes and shapes



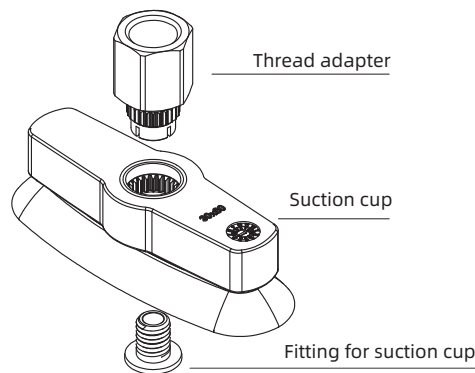
Applications

- ◇ Handling of oval workpiece with curved surface
- ◇ Handling long and narrow or cylindrical workpieces



Structure

- ◇ Split structure design, wearing parts can be replaced separately



- SZ
- SP3
- SUF
- SAN
- SAO
- SOFA
- STP
- SFT
- SFA
- SBT
- SBL
- SBLP
- SBS
- SFP
- SBP
- SXP
- SGP
- SBOF
- STC
- SFF
- SOB
- SOF
- SOG
- SFM**
- SOM**
- SBF
- SDM
- SFU
- SFK
- SHT
- SDL
- SFG
- SFGT
- SFD
- SB
- SBA
- SF
- SU
- SP2F
- SPA
- SPD
- SPF
- SPC
- SPJ
- SPU
- SH
- SHB
- SBB
- SOP
- SNP

SOM Series



Oval Flat Suction Cup Special for Long and Narrow Objects

How to order

SOM 30×80 U - G2F

① ② ③ ④

① Series	② Size	③ Material & Hardness	④ Connection thread
SOM	20×60	U - PU 70	Nil - Suction cup only
	30×80		G2F - G1/4 female thread
	40×100		G3F - G3/8 female thread
			G2M - G1/4 male thread
			M10M - M10×1.5 male thread
			M14M - M14×1.5 male thread
			RA - Rectangular adapter

Selection

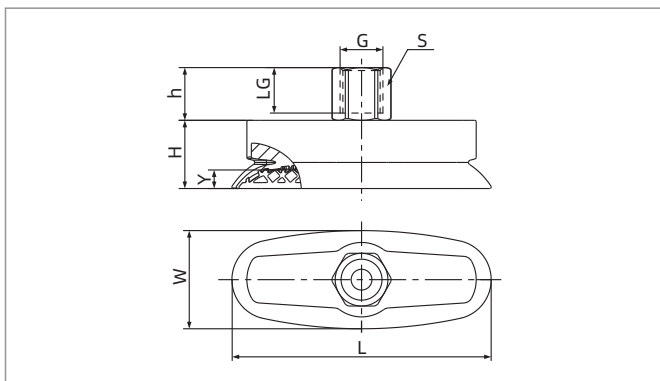
Model	Connection thread					
	G2M	M10M	M14M	G2F	G3F	RA
SOM20×60U	SOM20×60U-G2M	SOM20×60U-M10M	SOM20×60U-M14M	SOM20×60U-G2F	-	SOM20×60U-RA
SOM30×80U	SOM30×80U-G2M	SOM30×80U-M10M	SOM30×80U-M14M	SOM30×80U-G2F	-	SOM30×80U-RA
SOM40×100U	SOM40×100U-G2M	SOM40×100U-M10M	SOM40×100U-M14M	-	SOM40×100U-G3F	SOM40×100U-RA

Technical parameters

Model	Vertical pull-out force N	Lateral pull-out force N	Lateral pull-out force (Oily surface)N	Inner volume cm ³	Min curve radius of workpiece mm	Weight g	Recommended hose dia. mm	MPQ pcs
SOM20×60U	61	44	44	5	10	14	8	1
SOM30×80U	116	110	110	12	20	24.4	8	1
SOM40×100U	187	135	135	25	32	50.6	8	1

◇ Note: Testing vacuum level -60kPa, workpiece with smooth and clean surface. The data of pull-out force as above are figured out without considering safety factor. The data may be different according to different workpiece surfaces.

Dimensions(mm)



Model/Size	L	W	H	G	h	LG	S	Y
SOM20×60U-G2F	63.5	20.5	22	G1/4	17	12	17	5
SOM30×80U-G2F	83.5	31.5	22	G1/4	17	12	17	6
SOM40×100U-G3F	103.5	43.5	29	G3/8	17	12	22	7

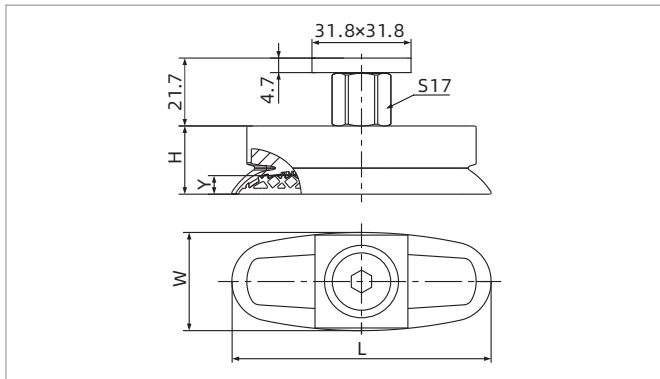
F - Female thread connection

SOM Series

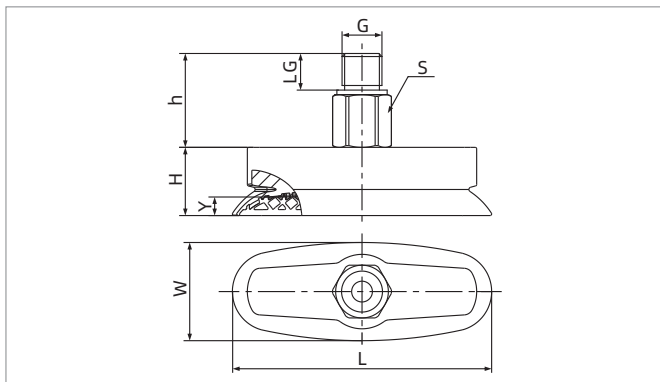


Oval Flat Suction Cup Special for Long and Narrow Objects

Dimensions(mm)



RA - Rectangular adapter



M - Male thread connection

◇ Note: The dimensional tolerance conforms to GBT3672.1-2002-1 M3 rubber product dimensional tolerance standard

Model/Size	L	W	H	Y
SOM20×60U-RA	63.5	20.5	22	5
SOM30×80U-RA	83.5	31.5	22	6
SOM40×100U-RA	103.5	43.5	29	7

Model/Size	L	W	H	G	h	LG	S	Y
SOM20×60U-G2M	63.5	20.5	22	G1/4	28	9	17	5
SOM20×60U-M10M	63.5	20.5	22	M10×1.5	30.5	11	17	5
SOM20×60U-M14M	63.5	20.5	22	M14×1.5	30.5	11	17	5
SOM30×80U-G2M	83.5	31.5	22	G1/4	28	9	17	6
SOM30×80U-M10M	83.5	31.5	22	M10×1.5	30.5	11	17	6
SOM30×80U-M14M	83.5	31.5	22	M14×1.5	30.5	11	17	6
SOM40×100U-G2M	103.5	43.5	29	G1/4	28	9	22	7
SOM40×100U-M10M	103.5	43.5	29	M10×1.5	30.5	11	22	7
SOM40×100U-M14M	103.5	43.5	29	M14×1.5	30.5	11	22	7

Suction Cup

- SZ
- SP3
- SUF
- SAN
- SAO
- SOFA
- STP
- SFT
- SFA
- SBT
- SBL
- SBLP
- SBS
- SFP
- SBP
- SXP
- SGP
- SBOF
- STC
- SFF
- SOB
- SOE
- SOG
- SFM
- SOM**
- SBF
- SDM
- SFU
- SFK
- SHT
- SDL
- SFG
- SFGT
- SFD
- SB
- SBA
- SF
- SU
- SP2F
- SPA
- SPD
- SPF
- SPC
- SPJ
- SPU
- SH
- SHB
- SBB
- SOP
- SNP

SBF Series

AIRBEST

1.5 Bellows Suction Cup Special for Metal Sheet



METAL SHEET



SLIPPING RESISTANCE



OILY SURFACE



LONG LIFETIME



Features

- ◇ 1.5 Bellows
- ◇ PU material
- ◇ Internal large area support structure
- ◇ Various sizes for option

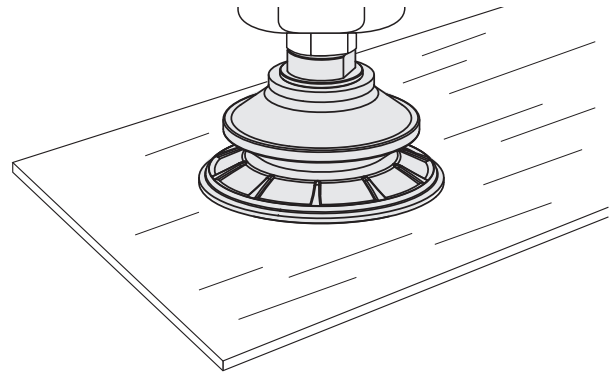
Advantages

- ◇ Easy to fit uneven surface of workpiece, and has buffer effect
- ◇ Excellent wear resistance and oil resistance, long lifetime
- ◇ Effectively increase the friction force between suction cups and workpieces
- ◇ Suitable for workpieces with different sizes and shapes



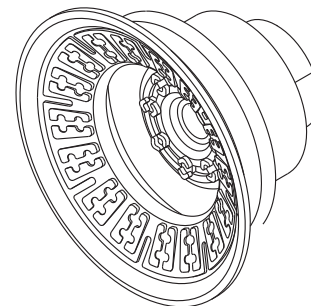
Applications

- ◇ Handling metal sheet in high speed, short cycle time
- ◇ Handling metal sheet and aluminum plate without deformation
- ◇ Special pattern slot design of suction cup prevents from slipping during handling oily sheet metal, ensuring accurate positioning
- ◇ Used in automotive stamping metal parts handling system



Structure

- ◇ 1.5 Bellows, large compressed stroke
- ◇ Suction cup and fitting are one-piece structure design



SBF Series

1.5 Bellows Suction Cup Special for Metal Sheet

How to order

SBF 50 U - G3F
 ① ② ③ ④

① Series	② Diameter	③ Material & Hardness	④ Connection thread	
SBF	30 - φ32mm	U - PU	70	G2F - G1/4 female thread
	40 - φ42mm			G3F - G3/8 female thread
	50 - φ51.5mm			G2M - G1/4 male thread
	60 - φ64mm			M10M - M10×1.5 male thread
	80 - φ84mm			RA - Rectangular adapter
	100 - φ103mm			

Selection - Model(Connection thread)

Model	Connection thread G2M	M10M	G2F	G3F	RA - Rectangular adapter
SBF30U-□	SBF30U-G2M	SBF30U-M10M	SBF30U-G2F	SBF30U-G3F	SBF30U-RA
SBF40U-□	SBF40U-G2M	SBF40U-M10M	SBF40U-G2F	SBF40U-G3F	SBF40U-RA
SBF50U-□	SBF50U-G2M	SBF50U-M10M	SBF50U-G2F	SBF50U-G3F	SBF50U-RA
SBF60U-□	SBF60U-G2M	SBF60U-M10M	SBF60U-G2F	SBF60U-G3F	SBF60U-RA
SBF80U-□	SBF80U-G2M	SBF80U-M10M	SBF80U-G2F	SBF80U-G3F	SBF80U-RA
SBF100U-□	SBF100U-G2M	SBF100U-M10M	SBF100U-G2F	SBF100U-G3F	SBF100U-RA

Technical parameters

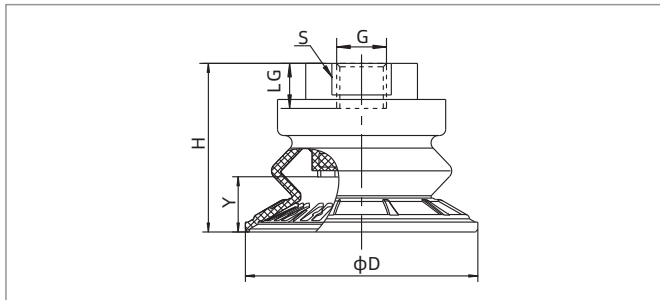
Model	Pull-out force N	Inner volume cm ³	Min.curve radius of workpiece mm	Weight g	Recommended hose dia. mm	MPQ pcs
SBF30	33	5.5	30	18.5	6	1
SBF40	60	7.0	45	20.0	6	1
SBF50	103	11.5	50	40.0	8	1
SBF60	145	22.0	55	45.0	8	1
SBF80	235	60.0	72	75.0	10	1
SBF100	380	98.0	97	118.0	10	1

◇ Note: Testing vacuum level -60kPa,workpiece with smooth and clean surface. The data of pull-out force as above are figured out without considering safety factor. The data may be different according to different workpiece surfaces.

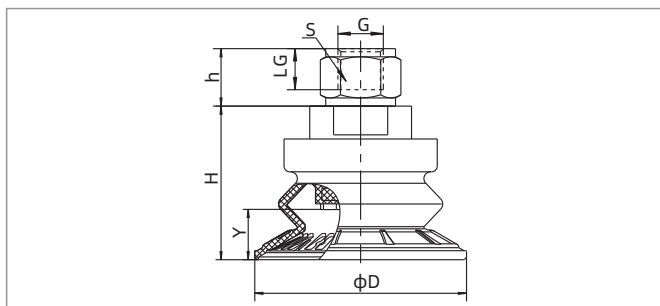
- SZ
- SP3
- SUF
- SAN
- SAO
- SOFA
- STP
- SFT
- SFA
- SBT
- SBL
- SBLP
- SBS
- SFP
- SBP
- SXP
- SGP
- SBOF
- STC
- SFF
- SOB
- SOE
- SOG
- SFM
- SOM
- SBF
- SDM
- SFU
- SFK
- SHT
- SDL
- SFG
- SFGT
- SFD
- SB
- SBA
- SF
- SU
- SP2F
- SPA
- SPD
- SPF
- SPC
- SPJ
- SPU
- SH
- SHB
- SBB
- SOP
- SNP

1.5 Bellows Suction Cup Special for Metal Sheet

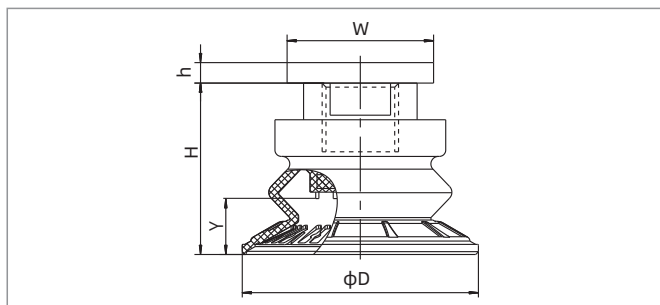
Dimensions(mm)



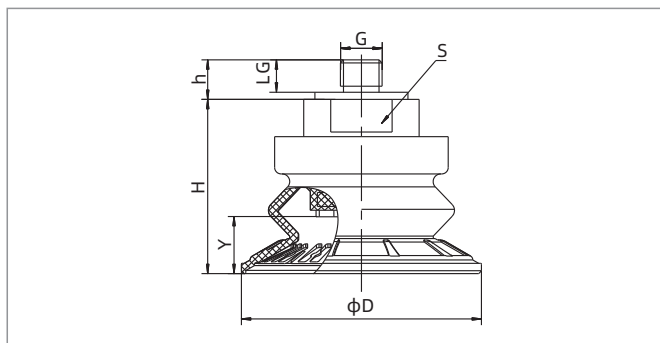
F - Female thread connection



F - Female thread connection



RA - Rectangular adapter



M - Male thread connection

Model/Size	D	H	G	LG	S	Y
SBF30U-G2F	32	28	G1/4	10	17	7
SBF40U-G2F	42	29	G1/4	10	17	9
SBF50U-G3F	51.5	37	G3/8	13	21	12.5
SBF60U-G3F	64	41.5	G3/8	13	21	15
SBF80U-G3F	84	49.5	G3/8	13	21	23
SBF100U-G3F	103	55	G3/8	13	22	22

Model/Size	D	H	G	h	LG	S	Y
SBF30U-G3F	32	28	G3/8	14	11	22	7
SBF40U-G3F	42	29	G3/8	14	11	22	9
SBF50U-G2F	51.5	37	G1/4	14	11	22	12.5
SBF60U-G2F	64	41.5	G1/4	14	11	22	15
SBF80U-G2F	84	49.5	G1/4	14	11	22	23
SBF100U-G2F	103	55	G1/4	14	11	22	22

Model/Size	D	H	W	h	Y
SBF30U-RA	32	28	31.8×31.8	4.7	7
SBF40U-RA	42	29	31.8×31.8	4.7	9
SBF50U-RA	51.5	37	31.8×31.8	4.7	12.5
SBF60U-RA	64	41.5	31.8×31.8	4.7	15
SBF80U-RA	84	49.5	31.8×31.8	4.7	23
SBF100U-RA	103	55	31.8×31.8	4.7	22

Model/Size	D	H	G	h	LG	S	Y
SBF30U-G2M	32	28	G1/4	11	9	17	7
SBF30U-M10M	32	28	M10×1.5	13.5	12	17	7
SBF40U-G2M	42	29	G1/4	11	9	17	9
SBF40U-M10M	42	29	M10×1.5	13.5	12	17	9
SBF50U-G2M	51.5	37	G1/4	11	9	21	12.5
SBF50U-M10M	51.5	37	M10×1.5	13.5	12	21	12.5
SBF60U-G2M	64	41.5	G1/4	11	9	21	15
SBF60U-M10M	64	41.5	M10×1.5	13.5	12	21	15
SBF80U-G2M	84	49.5	G1/4	11	9	21	23
SBF80U-M10M	84	49.5	M10×1.5	13.5	12	21	23
SBF100U-G2M	103	55	G1/4	11	9	22	22
SBF100U-M10M	103	55	M10×1.5	13.5	12	22	22

◇ Note: The dimensional tolerance conforms to GBT3672.1-2002-1 M3 rubber product dimensional tolerance standard

SDM Series

Flat Suction Cup Special for Metal Sheet

AIRBEST



METAL SHEET



SLIPPING RESISTANCE



OILY SURFACE



Suction Cup

Features

- ◇ PU material
- ◇ Thicken the wall thickness, internal reinforced rib structure design

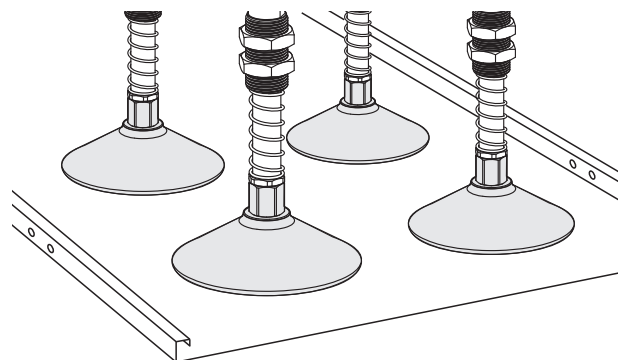
Advantages

- ◇ Long lifetime, excellent wear resistance, ozone resistance, oil resistance
- ◇ Effectively prevent deformation of metal sheet during handling



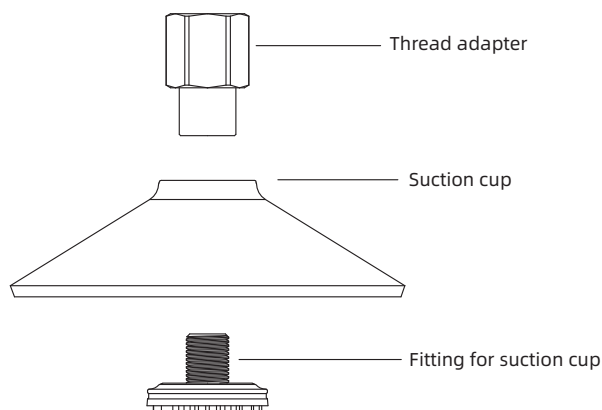
Applications

- ◇ Handling metal sheet and aluminum plate without deformation



Structure

- ◇ Split structure design, wearing parts can be replaced separately



- SZ
- SP3
- SUF
- SAN
- SAO
- SOFA
- STP
- SFT
- SFA
- SBT
- SBL
- SBLP
- SBS
- SFP
- SBP
- SXP
- SGP
- SBOF
- STC
- SFF
- SOB
- SOF
- SOG
- SFM
- SOM
- SBF**
- SDM**
- SFU
- SFK
- SHT
- SDL
- SFG
- SFGT
- SFD
- SB
- SBA
- SF
- SU
- SP2F
- SPA
- SPD
- SPF
- SPC
- SPJ
- SPU
- SH
- SHB
- SBB
- SOP
- SNP

SDM Series

Flat Suction Cup Special for Metal Sheet

How to order

SDM 100 U - G3F

① ② ③ ④

① Series	② Diameter	③ Material & Hardness	④ Connection thread
SDM	100 - ϕ 100mm	U - PU 70	Nil - Suction cup only G2F - G1/4 female thread G3F - G3/8 female thread

Selection

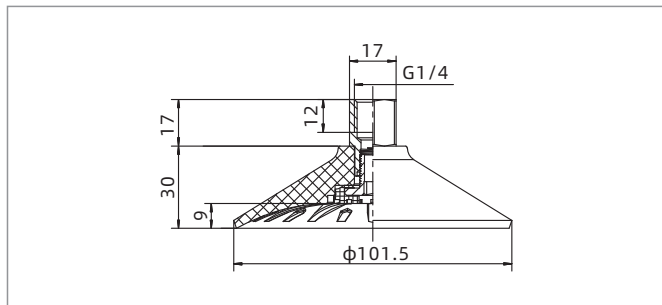
Model	Connection thread	
	G2F	G3F
SDM100U	SDM100U-G2F	SDM100U-G3F

Technical parameters

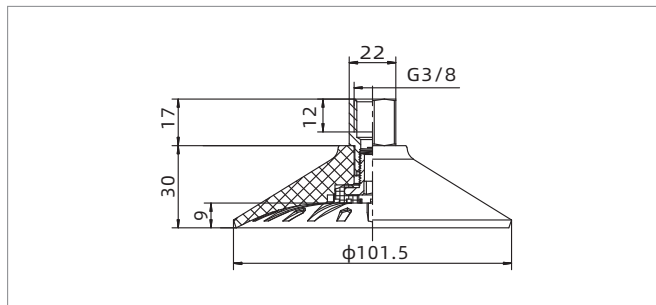
Model	Pull-out force N	Inner volume cm ³	Min.curve radius of workpiece mm	Weight g	Recommended hose dia. mm	MPQ pcs
SDM100	375	56	160	62	8	1

◇ Note: Testing vacuum level -60kPa, workpiece with smooth and clean surface. The data of pull-out force as above are figured out without considering safety factor. The data may be different according to different workpiece surfaces.

Dimensions(mm)



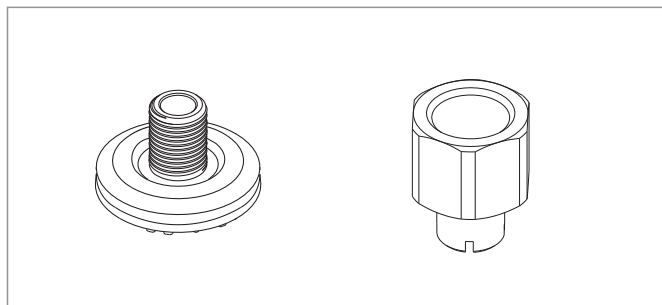
SDM100U-G2F



SDM100U-G3F

◇ Note: The dimensional tolerance conforms to GB/T3672.1-2002-1 M3 rubber product dimensional tolerance standard

Mounting parts



PJS - Fitting for suction cup

PJT - Thread adapter

Item	Model	Applicable suction cup
Fitting for suction cup	PJS-G1M-SFM80	SDM100
Thread adapter	PJT-G1F-G2F	SDM100
	PJT-G1F-G3F	SDM100

SFU Series

Big Flat Suction Cup



Features

- ◇ Large area support structure at bottom
- ◇ Double sealing lip
- ◇ Small inner volume
- ◇ Rubber parts can be replaced separately
- ◇ Various sizes are available

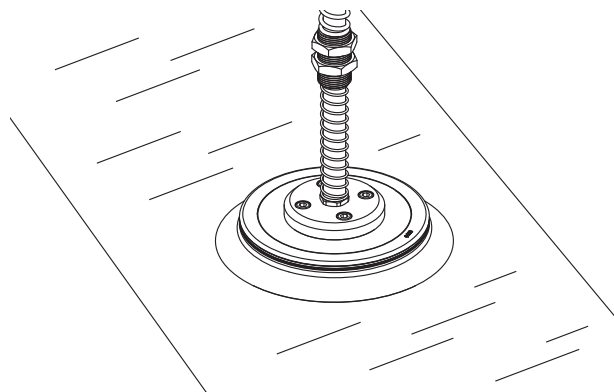
Advantages

- ◇ Prevent thin workpieces from permanent deformation
- ◇ Excellent airtightness, large suction force
- ◇ Short work cycle
- ◇ Reduce customer's cost greatly
- ◇ Suitable for workpieces with different sizes and shapes



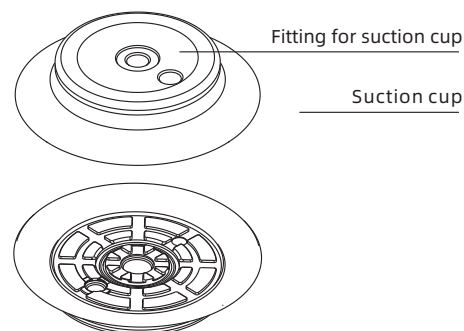
Applications

- ◇ Handling workpieces with flat or slightly deformed surfaces
- ◇ Touch valve is optional, which closes relevant vacuum circuit when it detects that there is no contact with workpiece



Structure

- ◇ Fitting for suction cup and rubber parts are split structure design, wearing parts can be replaced separately
- ◇ Separate functional port is available
- ◇ Touch valve is optional, preventing accidental vacuum leakage
- ◇ Note: The functional threaded hole is sealed with a plug when delivered. Seal the thread with thread glue or raw tape when connecting



- SZ
- SP3
- SUF
- SAN
- SAO
- SOFA
- STP
- SFT
- SFA
- SBT
- SBL
- SBLP
- SBS
- SFP
- SBP
- SXP
- SGP
- SBOF
- STC
- SFF
- SOB
- SOE
- SOG
- SFM
- SOM
- SBF
- SDM**
- SFU**
- SFK
- SHT
- SDL
- SFG
- SFGT
- SFD
- SB
- SBA
- SF
- SU
- SP2F
- SPA
- SPD
- SPF
- SPC
- SPJ
- SPU
- SH
- SHB
- SBB
- SOP
- SNP

SFU Series

Big Flat Suction Cup

How to order

SFU 210 H N - G4F - V
 ① ② ③ ④ ⑤ ⑥

① Series	② Diameter	③ Stroke	④ Material & Hardness	⑤ Connection thread	⑥ Special specification
SFU	100 - φ100mm	Nil - Standard stroke	N - NBR	55 G2F - G1/4 female thread	Nil - Standard
	125 - φ125mm	H - High stroke	WS - White silicone	60 G3F - G3/8 female thread	V - With touch valve
	160 - φ160mm			G4F - G1/2 female thread	
	210 - φ210mm				
	250 - φ250mm				
	300 - φ300mm				
	360 - φ360mm				
	400 - φ400mm				

Selection

Model	Connection thread	Special specification
SFU100□	SFU100□-G2F	-
SFU125□	SFU125□-G2F	SFU125□-G2F-V
SFU160□	SFU160□-G4F	SFU160□-G4F-V
SFU210□ SFU210H□	SFU210□-G4F SFU210H□-G4F	SFU210□-G4F-V
SFU250□ SFU250H□	SFU250□-G4F SFU250H□-G4F	SFU250□-G4F-V
SFU300□	SFU300□-G4F	-
- SFU360H□	- SFU360H□-G4F	-
SFU400□	SFU400□-G4F	-

Technical parameters

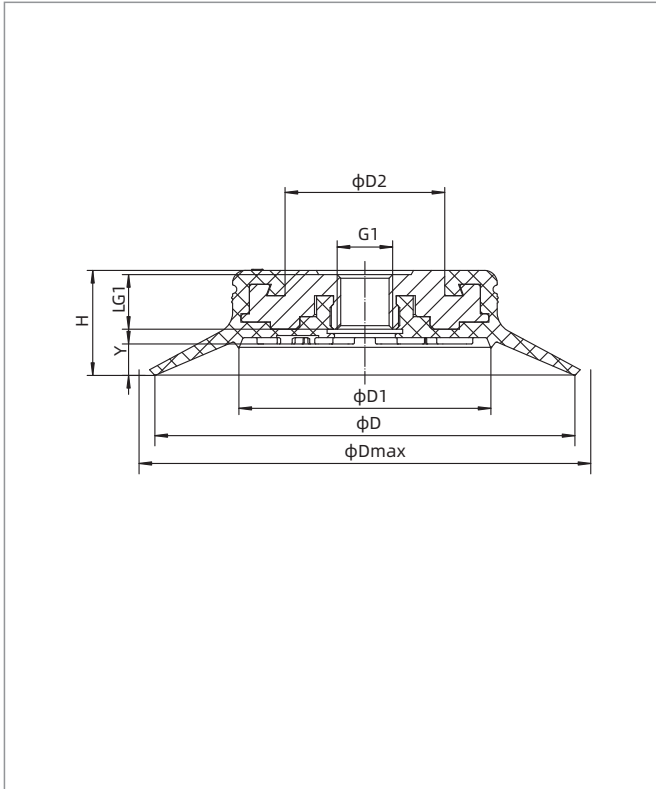
Model	Pull-out force N	Inner volume cm ³	Min.curve radius of workpiece mm	Weight g	Recommended hose dia. mm	MPQ pcs
SFU100□-G2F	400	45	175	108	12	1
SFU125□-G2F	670	78	275	215	12	1
SFU160□-G4F	1,100	145	475	397	16	1
SFU210□-G4F	1,900	190	1,050	861	16	1
SFU210H□-G4F	1,900	300	550	885	16	1
SFU250□-G4F	2,600	370	1,100	1,230	16	1
SFU250H□-G4F	2,600	500	750	1,332	16	1
SFU300□-G4F	4,000	490	1,800	1,996	16	1
SFU360H□-G4F	5,800	1,250	1,500	3,696	16	1
SFU400□-G4F	7,000	860	3,300	4,720	16	1

◇ Note: Testing vacuum level -60kPa, workpiece with smooth and clean surface. The data of pull-out force as above are figured out without considering safety factor. The data may be different according to different workpiece surfaces. Recommend the length of vacuum hose to be as short as possible, max 2m.

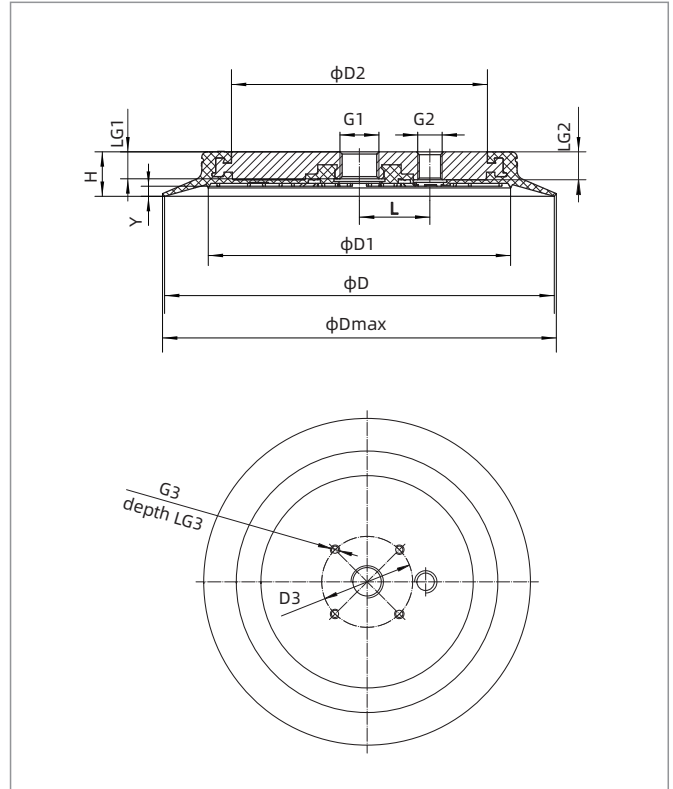
SFU Series

Big Flat Suction Cup

Dimensions(mm)



SFU100



SFU125-400

Model/Size	D	Dmax	D1	D2	D3	H	G1	G2	LG1	LG2	G3	LG3	L	Y
SFU100□-G2F	100	108	60	38	-	25	G1/4	-	13	-	-	-	-	7
SFU125□-G2F	125	132	83	64	-	25	G1/4	G1/4	13	14	-	-	24	7
SFU160□-G4F	160	170	113	91	-	25	G1/2	G1/4	13	15	-	-	38	7
SFU210□-G4F	210	220	163	138	59	25	G1/2	G1/4	14.5	15	M6	8	38	5
SFU210H□-G4F	210	220	159	138	59	30	G1/2	G1/4	14.5	15	M6	8	38	10
SFU250□-G4F	250	265	203	178	59	26	G1/2	G1/2	14.5	15	M6	8	76	7
SFU250H□-G4F	250	265	203	178	59	30	G1/2	G1/2	14.5	15	M6	8	76	11
SFU300□-G4F	300	320	253	226.5	59	25.5	G1/2	G1/2	14.5	15	M8	10	76	6
SFU360H□-G4F	360	385	309	275	59	35	G1/2	G1/2	17	17	M8	10	86	12
SFU400□-G4F	400	430	349	315	59	29	G1/2	G1/2	17	17	M8	10	86	6

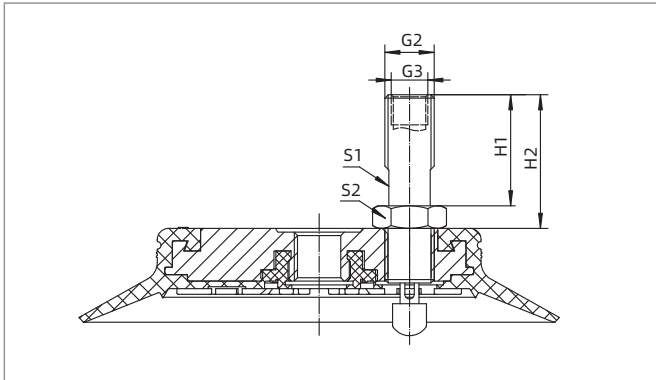
◇ Note: 1. The dimensional tolerance conforms to GBT3672.1-2002-1 M3 rubber product dimensional tolerance standard.
 2. Dmax is outer diameter of the suction cup when it is completely compressed

- SZ
- SP3
- SUF
- SAN
- SAO
- SOFA
- STP
- SFT
- SFA
- SBT
- SBL
- SBLP
- SBS
- SFP
- SBP
- SXP
- SGP
- SBOF
- STC
- SFF
- SOB
- SOF
- SOG
- SFM
- SOM
- SBF
- SDM
- SFU
- SKF
- SHT
- SDL
- SFG
- SFGT
- SFD
- SB
- SBA
- SF
- SU
- SP2F
- SPA
- SPD
- SPF
- SPC
- SPJ
- SPU
- SH
- SHB
- SBB
- SOP
- SNP

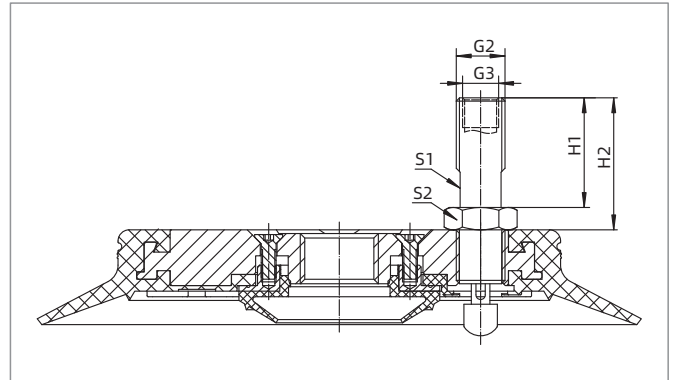
SFU Series

Big Flat Suction Cup

Dimensions(mm)



SFU125



SFU160-250

Model/Size	G2	G3	H1	H2	S1	S2
SFU125□-G2F-V	G1/4	G1/8	30	36	11	17
SFU160□-G4F-V	G1/4	G1/8	30	36	11	17
SFU210□-G4F-V	G1/4	G1/8	30	36	11	17
SFU250□-G4F-V	G1/2	G3/8	31.5	39.5	19	27

Mounting parts

Item	Model	Applicable suction cup
Touch valve	ZVD-G2M	SFU125,160,210
	ZVD-G4M	SFU250

Item	Model	Applicable suction cup
Rubber parts for suction cup	SFU100N SFU100WS	SFU100□-G2F
	SFU125N SFU125WS	SFU125□-G2F
	SFU160N SFU160WS	SFU160□-G4F
	SFU210N SFU210WS	SFU210□-G4F
	SFU210HN SFU210HWS	SFU210H□-G4F
	SFU250N SFU250WS	SFU250□-G4F
	SFU250HN SFU250HWS	SFU250H□-G4F
	SFU300N SFU300WS	SFU300□-G4F
	SFU360HN SFU360HWS	SFU360H□-G4F
	SFU400N SFU400WS	SFU400□-G4F

◇ Note: When you buy rubber parts only, pls ensure that the fitting for suction cup you buy is in good condition, and send it back to factory to replace the rubber parts

SFK Series

Flat Suction Cup Special for Objects with Rough Surface



Features

- ◇ Sealing ring is made of flexible EPDM foam rubber
- ◇ Internal large area support structure
- ◇ Small inner volume
- ◇ Various sizes are available

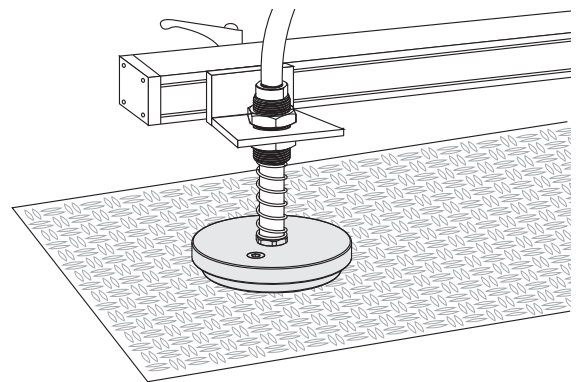
Advantages

- ◇ Suitable for workpieces with rough or uneven surfaces
- ◇ Slipping resistance. Prevent thin workpiece from permanent deformation
- ◇ Short work cycle
- ◇ Suitable for workpieces with different sizes and shapes



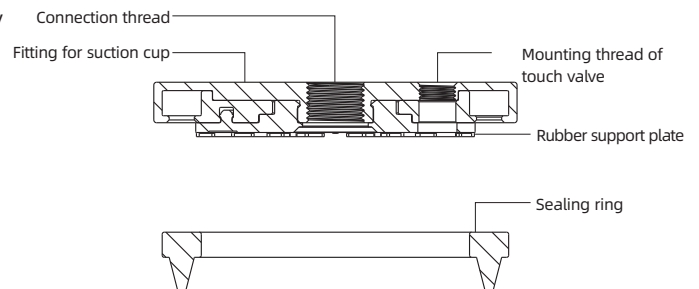
Applications

- ◇ Handling workpieces with uneven surfaces, such as embossed steel plate, decorative glass, rough slate, wooden plate, etc.
- ◇ Touch valve is optional, which will close vacuum chamber when it detects that suction cups do not contact workpieces, in order to avoid vacuum leakage



Structure

- ◇ Split structure design, wearing parts can be replaced separately
- ◇ Separate functional port is equipped



- ◇ Note: The functional threaded hole is sealed with a plug when delivered. Seal the thread with thread glue or raw tape when connecting

- SZ
- SP3
- SUF
- SAN
- SAO
- SOFA
- STP
- SFT
- SFA
- SBT
- SBL
- SBLP
- SBS
- SFP
- SBP
- SXP
- SGP
- SBOF
- STC
- SFF
- SOB
- SOE
- SOG
- SFM
- SOM
- SBF
- SDM
- SFU**
- SFK**
- SHT
- SDL
- SFG
- SFGT
- SFD
- SB
- SBA
- SF
- SU
- SP2F
- SPA
- SPD
- SPF
- SPC
- SPJ
- SPU
- SH
- SHB
- SBB
- SOP
- SNP

How to order

SFK 110 E - G4F - V

① ② ③ ④ ⑤

① Series	② Diameter	③ Material & Hardness	④ Connection thread	⑤ Special specification
SFK	110 - ϕ 110mm 160 - ϕ 160mm 200 - ϕ 200mm 250 - ϕ 250mm	E - EPDM	20 Nil - Sealing ring only G4F - G1/2 female thread	Nil - Standard V - With touch valve

Selection

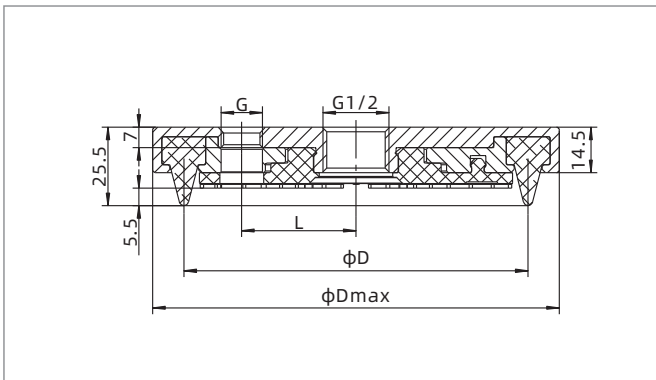
Model	Connection thread F - Female thread	
SFK110E	SFK110E-G4F	SFK110E-G4F-V
SFK160E	SFK160E-G4F	SFK160E-G4F-V
SFK200E	SFK200E-G4F	SFK200E-G4F-V
SFK250E	SFK250E-G4F	SFK250E-G4F-V

Technical parameters

Model	Pull-out force N	Inner volume cm ³	Min.curve radius of workpiece mm	Weight g	Recommended hose dia. mm	MPQ pcs
SFK110	480	70	300	465	10	1
SFK160	1080	145	600	935	10	1
SFK200	1800	225	1000	1445	12	1
SFK250	2800	360	1500	2225	12	1

◇ Note: Testing vacuum level -60kPa, workpiece with smooth and clean surface. The data of pull-out force as above are figured out without considering safety factor. The data may be different according to different workpiece surfaces. Recommend the length of vacuum hose to be as short as possible, max 2m.

Dimensions(mm)



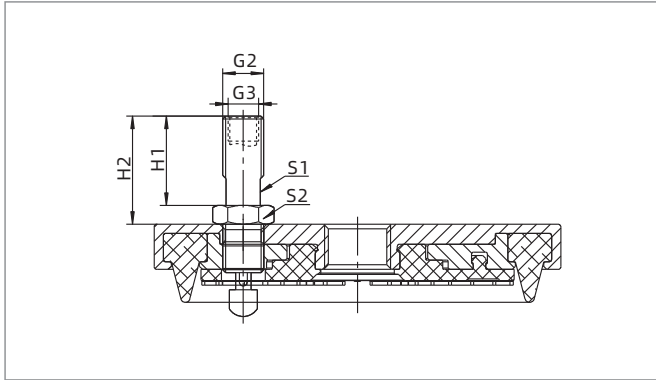
Model/Size	Dmax	D	G	L
SFK110E-G4F	130	110	G1/4	36.5
SFK160E-G4F	179	160	G1/4	36.5
SFK200E-G4F	219	200	G1/2	76
SFK250E-G4F	269	250	G1/2	76

SFK110-250

SFK Series

Flat Suction Cup Special for Objects with Rough Surface

Dimensions(mm)



SFK110-250

Model/Size	G2	G3	H1	H2	S1	S2
SFK110E-G4F-V	G1/4	G1/8	27.5	33.5	11	17
SFK160E-G4F-V	G1/4	G1/8	27.5	33.5	11	17
SFK200E-G4F-V	G1/2	G3/8	29.5	37.5	19	27
SFK250E-G4F-V	G1/2	G3/8	29.5	37.5	19	27

- ◇ Note: 1. The dimensional tolerance conforms to GB/T3672.1-2002-1 M3 rubber product dimensional tolerance standard
 2. The height of the touch valve contact beyond the suction cup lip can be adjusted by itself according to the actual application. Locking the nut after height position is determined. Applicable thread sealant should be applied to the thread connection of touch valve and fitting for suction cup

Accessories

Item	Model	Applicable suction cup
Touch valve	ZVD-G2M	SFK110,160
	ZVD-G4M	SFK200,250

SHT Series

High Temperature Suction Cup

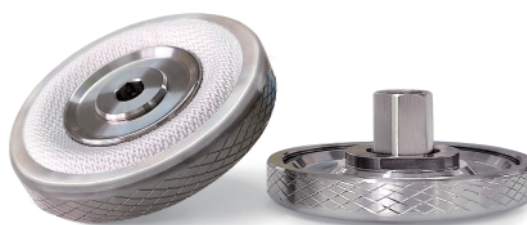


Features

- ◇ The body is made of stainless steel
- ◇ The sealing ring is made of special high temperature resistant textile material
- ◇ Long time high temperature resistance up to 600°C

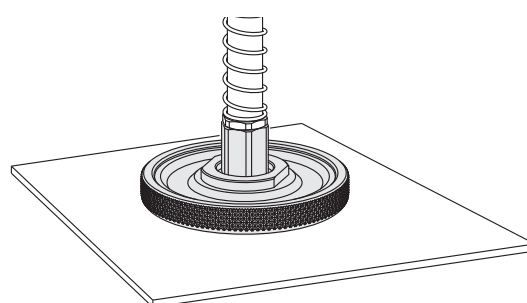
Advantages

- ◇ Strong wear resistance
- ◇ Excellent high temperature resistance, can achieve long time contact with the workpiece



Applications

- ◇ Handling workpieces with smooth and flat surfaces
- ◇ Hot forming of metal workpieces and other processes
- ◇ For float glass and tempering processes
- ◇ Note: All components in the matching vacuum circuit should be made of high temperature resistant materials



Structure

- ◇ Split structure design, wearing parts can be replaced separately

How to order

SHT 35 - G1F
 ① ② ③

① Series	② Diameter	③ Connection thread
SHT	35 - φ35mm	Nil - Sealing parts only
	60 - φ60mm	G1F - G1/8 female thread
	90 - φ90mm	G2F - G1/4 female thread

Selection

Model	Connection thread G1F	G2F
SHT35-□	SHT35-G1F	-
SHT60-□	-	SHT60-G2F
SHT90-□	-	SHT90-G2F

SHT Series

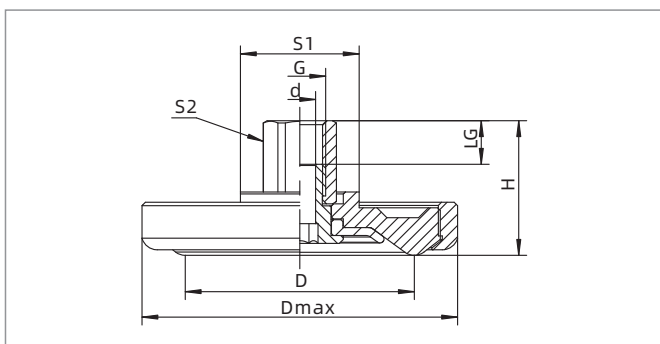
High Temperature Suction Cup

Technical parameters

Model	Pull-out force N	Inner volume cm ³	Vacuum flow (NL/min) (Vacuum level-70kPa)	Weight g	Recommended hose dia. mm	MPQ pcs
SHT35-G1F	60	4	20	195	6	1
SHT60-G2F	130	10	22	408	8	1
SHT90-G2F	280	30	24	655	8	1

◇ Note: Testing vacuum level -60kPa, workpiece with smooth and clean surface. The data of pull-out force as above are figured out without considering safety factor. The data may be different according to different workpiece surfaces.

Dimensions(mm)



SHT

Model/Size	D	H	G	LG	Dmax	d	S1	S2
SHT35-G1F	35	28	G1/8	9	53	6	30	14
SHT60-G2F	58	34	G1/4	11	80	8	30	17
SHT90-G2F	90	33	G1/4	11	112	8	46	17

- SZ
- SP3
- SUF
- SAN
- SAO
- SOFA
- STP
- SFT
- SFA
- SBT
- SBL
- SBLP
- SBS
- SFP
- SBP
- SXP
- SGP
- SBOF
- STC
- SFF
- SOB
- SOF
- SOG
- SFM
- SOM
- SBF
- SDM
- SFU
- SBK
- SHT**
- SDL
- SFG
- SFGT
- SFD
- SB
- SBA
- SF
- SU
- SP2F
- SPA
- SPD
- SPF
- SPC
- SPJ
- SPU
- SH
- SHB
- SBB
- SOP
- SNP

SDL Series

Annular Suction Cup



METAL SHEET



Features

- ◇ Closed annular structure, consisting of inner and outer sealing lips
- ◇ Larger area hollow part inside
- ◇ Circular threaded mounting holes

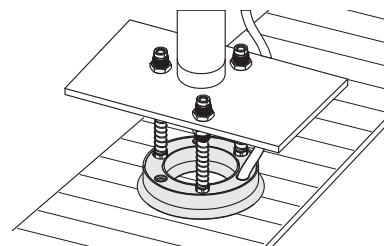
Advantages

- ◇ Good sealing
- ◇ Detection instrument can be designed in the hollow part for separation of vacuum and detection
- ◇ Firm installation



Applications

- ◇ Handling of workpieces with flat surface, such as metal sheet, steel plate, annular metal stamping parts, plywood and plastic plate



Structure

- ◇ One-piece structure of fitting and suction cup

How to order

SDL 100 N - G1F
 ① ② ③ ④

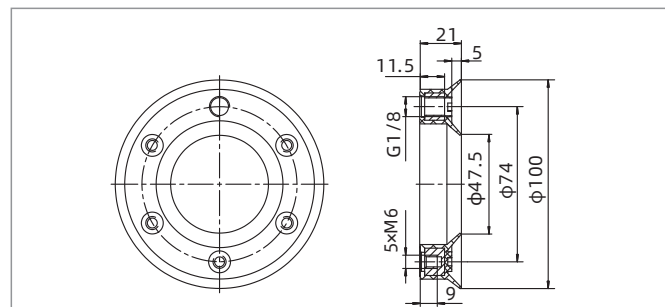
① Series	② Diameter	③ Material & Hardness	④ Connection thread
SDL	100 - ϕ 100mm	N - NBR 55	G1F - G1/8 female thread

Technical parameters

Model	Pull-out force N	Inner volume cm ³	Weight g	Recommended hose dia. mm	MPQ pcs
SDL100N-G1F	258	44	107	8	1

◇ Note: Testing vacuum level -60kPa, workpiece with smooth and clean surface. The data of pull-out force as above are figured out without considering safety factor. The data may be different according to different workpiece surfaces. Recommend the length of vacuum hose to be as short as possible, max 2m.

Dimensions(mm)



SDL100

◇ Note: The dimensional tolerance conforms to GBT3672.1-2002-1 M3 rubber product dimensional tolerance standard

SFG Series

Flat Suction Cup Special for Glass Industry

AIRBEST



GLASS



SLIPPING RESISTANCE



HIGH SEALING



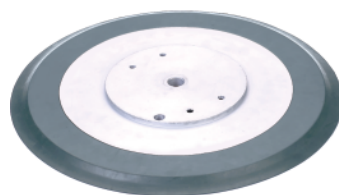
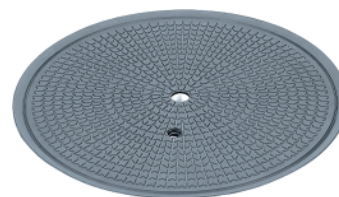
Suction Cup

Features

- ◇ Double flat sealing lips
- ◇ Inner large area pattern support structure at the bottom
- ◇ Small inner volume, two compressed stroke
- ◇ Some specifications are split structure
- ◇ Various sizes are available

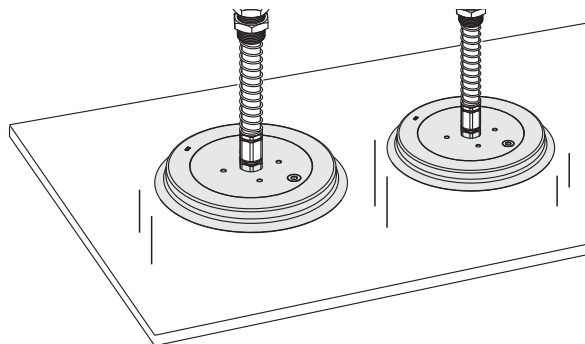
Advantages

- ◇ Excellent airtightness
- ◇ Large friction coefficients, prevent deformation of workpiece
- ◇ Short work cycle, with high stroke, it can suck glass with a certain curvature
- ◇ Metal parts can be used repeatedly, reducing customer's cost greatly
- ◇ Suitable for workpieces with different sizes and shapes



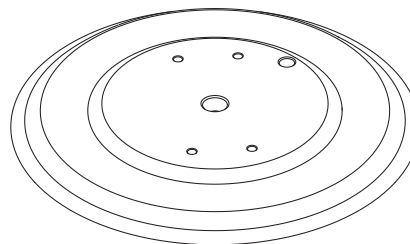
Applications

- ◇ Handling workpieces with smooth surface such as glass, plastic plate, ect. Realizing long time pressure holding
- ◇ Handling big workpieces with a certain curvature on surface, such as car windshields
- ◇ Handling thin workpieces, such as flat glass or coated glass
- ◇ Handling glass plate surfaced with separation powder or stripping powder



Structure

- ◇ Double sealing lip, special pattern structure
- ◇ For SFG200 and diameter less than 200mm, they are split structure, wearing parts can be replaced separately. For diameter more than 200mm, they are one-piece structure
- ◇ With large area aluminum fitting for suction cup, it can effectively prevent light and thin workpiece from bending when handling heavy load workpieces
- ◇ Standard stroke and high stroke are optional, with high stroke, it can suck glass with a certain curvature
- ◇ With separate functional port
- ◇ Note: The functional threaded hole is sealed with a plug when delivered. Seal the thread with thread glue or raw tape when connecting



SZ
SP3
SUF
SAN
SAO
SOFA
STP
SFT
SFA
SBT
SBL
SBLP
SBS
SFP
SBP
SXP
SGP
SBOF
STC
SFF
SOB
SOF
SOG
SFM
SOM
SBF
SDM
SFU
SFK
SHT
SDL
SFG
SFGT
SFD
SB
SBA
SF
SU
SP2F
SPA
SPD
SPF
SPC
SPJ
SPU
SH
SHB
SBB
SOP
SNP

SFG Series

Flat Suction Cup Special for Glass Industry

How to order

SFG 150 H E - G4F

① ② ③ ④ ⑤

① Series	② Diameter	③ Stroke	④ Material & Hardness	⑤ Connection thread
SFG	125 - φ125mm	Nil - Standard stroke	E - EPDM	55 G2F - G1/4 female thread
	150 - φ150mm	H - High stroke	HD - High temp/ Mark free material	60 G3F - G3/8 female thread
	200 - φ200mm			G4F - G1/2 female thread
	250 - φ250mm			
	300 - φ300mm			
	350 - φ350mm			
	400 - φ400mm			

Selection

Model/ Stroke	H - High stroke
SFG125□-G2F SFG125□-G3F	-
SFG150□-G4F	SFG150H□-G4F
SFG200□-G4F	-
-	SFG250H□-G4F
-	SFG300H□-G4F
-	SFG350H□-G4F
SFG400□-G4F	-

Technical parameters

Model	Pull-out force N	Inner volume cm ³	Min.curve radius of workpiece mm	Weight g	Recommended hose dia. mm	MPQ pcs
SFG125	740	44	1,500	290	8	1
SFG150	1,100	65	2,000	490	8	1
SFG150H	1,100	119	370	490	8	1
SFG200	1,950	144	3,500	1,040	10	1
SFG250H	2,950	372	1,600	950	10	1
SFG300H	4,300	550	2,400	1,510	12	1
SFG350H	5,780	779	3,000	2,040	12	1
SFG400	7,600	560	13,500	2,635	12	1

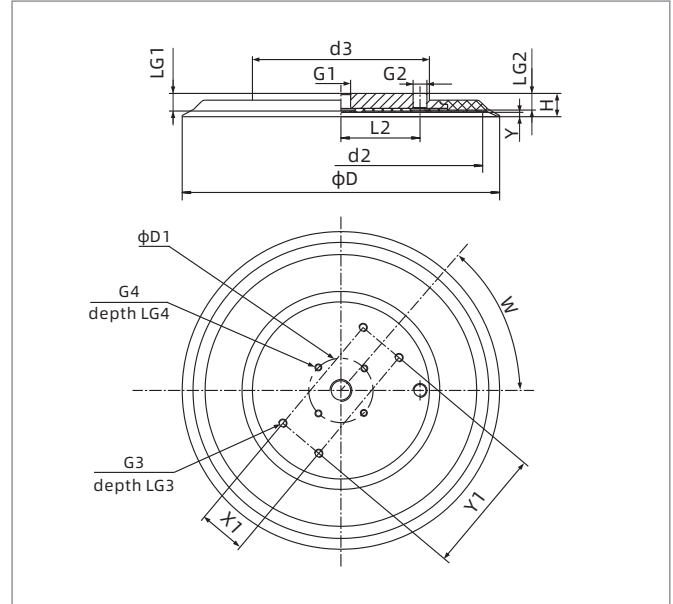
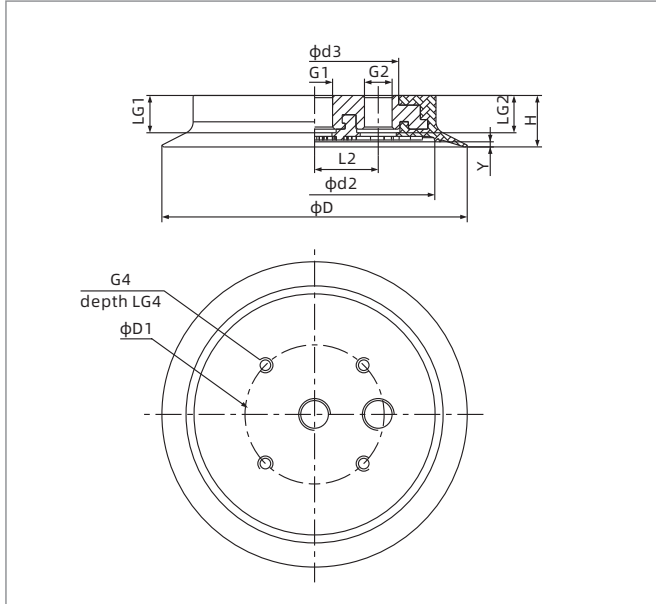
◇ Note: Testing vacuum level -60kPa, workpiece with smooth and clean surface. The data of pull-out force as above are figured out without considering safety factor. The data may be different according to different workpiece surfaces. Recommend the length of vacuum hose to be as short as possible, max 2m.

SFG Series

Flat Suction Cup Special for Glass Industry



Dimensions(mm)



SFG125-200

SFG250-400

Model/Size	D	d2	d3	G1	G2	G3	G4	D1	H	L2	LG1	LG2	LG3	LG4	W	X1	Y1	Y
SFG125□-G2F	125	100	70	G1/4	G1/4	-	4-M6	59	21.5	26.5	14	14	-	8	-	-	-	3
SFG125□-G3F	125	100	70	G3/8	G1/4	-	4-M6	59	21.5	26.5	14	14	-	8	-	-	-	3
SFG150□-G4F	150	125	93	G1/2	G1/4	-	4-M6	59	21.5	36.5	14	14	-	8	-	-	-	3.3
SFG150H□-G4F	150	126	70	G1/2	G1/4	-	4-M6	59	26	26.5	14	14	-	8	-	-	-	7.5
SFG200□-G4F	200	185	134	G1/2	G1/4	-	4-M6	59	22	52.8	14	14	-	8	-	-	-	3.6
SFG250H□-G4F	250	217	140	G1/2	G1/4	4-M8	4-M6	59	27	52.5	14.5	14.5	12	8	70	45	100	9
SFG300H□-G4F	300	272	170	G1/2	G1/4	4-M8	4-M8	59	27	76	14.5	14.5	12	10	50	45	120	9
SFG350H□-G4F	350	317	170	G1/2	G1/4	4-M8	4-M8	59	27	76	14.5	14.5	12	10	50	45	120	9
SFG400□-G4F	400	372	170	G1/2	G1/4	4-M8	4-M8	59	22.5	76	14.5	14.5	12	10	50	45	120	4.5

◇ Note: The dimensional tolerance conforms to GB/T3672.1-2002-1 M3 rubber product dimensional tolerance standard

Mounting parts

Item	Model	Applicable suction cup
Rubber parts for suction cup	SFG125E SFG125HD	SFG125□-G2F SFG125□-G3F
	SFG150E SFG150HD	SFG150□-G4F
	SFG150HE SFG150HHD	SFG150H□-G4F
	SFG200E SFG200HD	SFG200□-G4F

◇ Note: When you buy rubber parts only, pls ensure that the fitting for suction cup you buy is in good condition, and send it back to factory to replace the rubber parts

- SZ
- SP3
- SUF
- SAN
- SAO
- SOFA
- STP
- SFT
- SFA
- SBT
- SBL
- SBLP
- SBS
- SFP
- SBP
- SXP
- SGP
- SBOF
- STC
- SFF
- SOB
- SOE
- SOG
- SFM
- SOM
- SBF
- SDM
- SFU
- SFK
- SHT
- SDL
- SFG
- SFGT
- SFD
- SB
- SBA
- SF
- SU
- SP2F
- SPA
- SPD
- SPF
- SPC
- SPJ
- SPU
- SH
- SHB
- SBB
- SOP
- SNP

SFGT Series

Big Flat Suction Cup

AIRBEST



Features

- ◇ Multilayer sealing lip
- ◇ Small inner volume
- ◇ Internal multipoint support structure

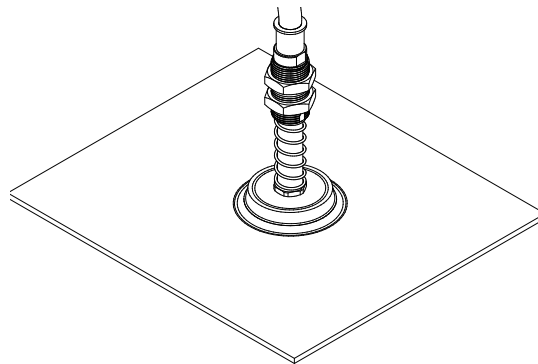
Advantages

- ◇ Excellent airtightness, large suction force
- ◇ Short work cycle
- ◇ Prevent workpieces from side slipping
- ◇ Rubber parts can be replaced separately, reduce customer's cost greatly



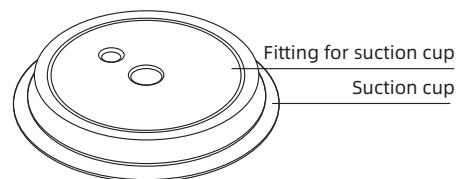
Applications

- ◇ Flat workpiece with smooth or slightly rough surface
- ◇ Metal sheet
- ◇ Glass

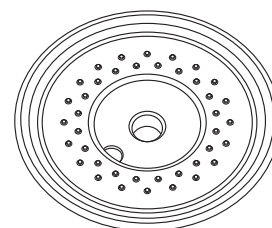


Structure

- ◇ Fitting for suction cup and rubber parts are split structure design, wearing parts can be replaced separately



- ◇ Note: The functional threaded hole is sealed with a plug when delivered. Seal the thread with thread glue or raw tape when connecting



SFGT Series

Big Flat Suction Cup

How to order

SFGT 120 WS - G3F

① ② ③ ④

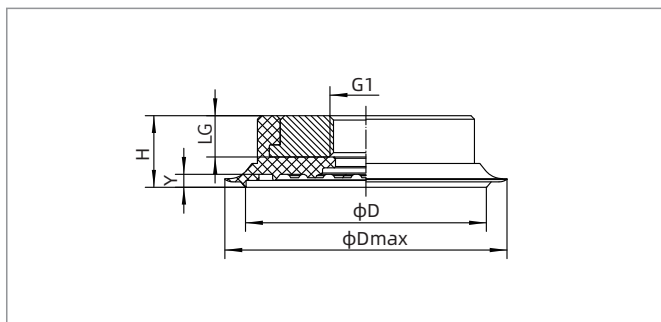
① Series	② Diameter	③ Material & Hardness	④ Connection thread
SFGT	65 - ϕ 65mm 90 - ϕ 90mm 120 - ϕ 120mm 160 - ϕ 160mm	WS - White silicone 50	Nil - Suction cup only G3F - G3/8 female thread G4F - G1/2 female thread

Technical parameters

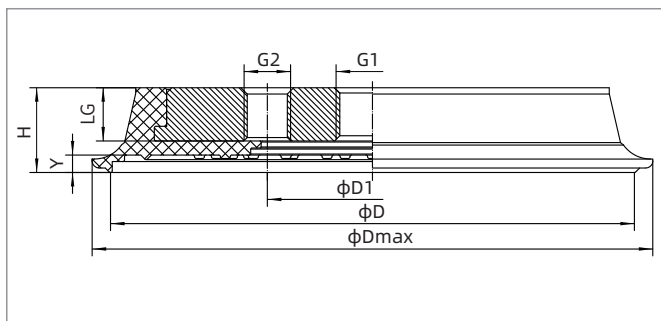
Model	Pull-out force N	Inner volume cm ³	Recommended hose Dia. mm	Weight g	MPQ pcs
SFGT65-G3F	110	3.5	8	48	1
SFGT90-G3F	320	11	8	110	1
SFGT120-G3F	550	25	10	226	1
SFGT160-G4F	1010	81	10	584	1

◇ Note: Testing vacuum level -60kPa, workpiece with smooth and clean surface. The data of pull-out force as above are figured out without considering safety factor. The data may be different according to different workpiece surfaces. Recommend the length of vacuum hose to be as short as possible, max 2m.

Dimensions (mm)



SFGT65-SFGT90



SFGT120-SFGT160

Model/Size	ϕ Dmax	ϕ D	G1	H	Y	LG
SFGT65-G3F	65	55	G3/8	16.5	3	9.5
SFGT90-G3F	90	79.5	G3/8	17	2.5	11

Model/Size	ϕ Dmax	ϕ D	ϕ D1	G1	G2	H	Y	LG
SFGT120-G3F	120	108	52	G3/8	G1/4	17.4	2.9	11
SFGT160-G4F	160	150	60	G1/2	G1/4	24.4	5.2	15.2

◇ Note: 1. The dimensional tolerance conforms to GBT3672.1-2002-1 M3 rubber product dimensional tolerance standard.
2. Dmax is outer diameter of the suction cup when it is completely compressed

SFD Series

Flat Suction Cup Special for Wood Industry

AIRBEST



WOOD



Features

- ◇ Double sealing lip
- ◇ With large area support structure at the bottom

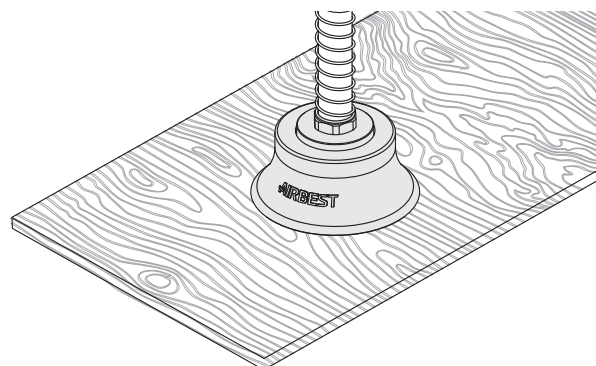
Advantages

- ◇ Excellent airtightness for workpieces with rough or smooth surfaces
- ◇ Prevent thin workpiece from permanent deformation



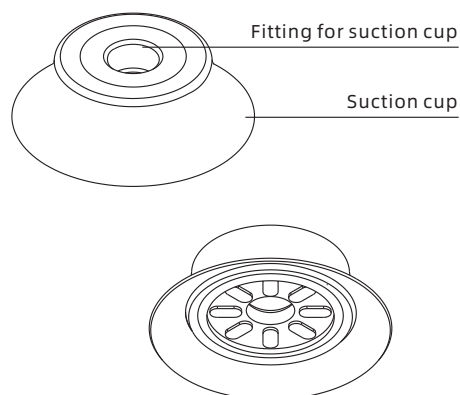
Applications

- ◇ Suitable for even workpiece with slightly rough surface, such as wooden plate, wooden floor, wooden doors, etc



Structure

- ◇ Double sealing lip
- ◇ Suction cup and fitting are split structure design, wearing parts can be replaced separately



SFD Series

Flat Suction Cup Special for Wood Industry



How to order

SFD 40 NR - G1F

① ② ③ ④

① Series	② Diameter	③ Material & Hardness	④ Connection thread
SFD	40 - ϕ 40mm	N - NBR 55	Nil - Suction cup only
	70 - ϕ 70mm	WS - White silicone 50	G1F - G1/8 female thread
		NR - Natural rubber 40	G2F - G1/4 female thread

Selection

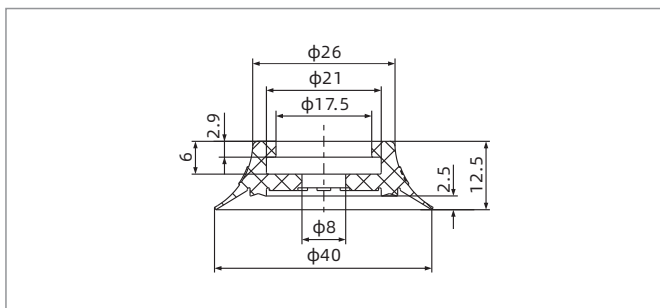
Model	Connection thread F - Female thread
SFD40□	SFD40□-G1F
SFD70□	SFD70□-G2F

Technical parameters

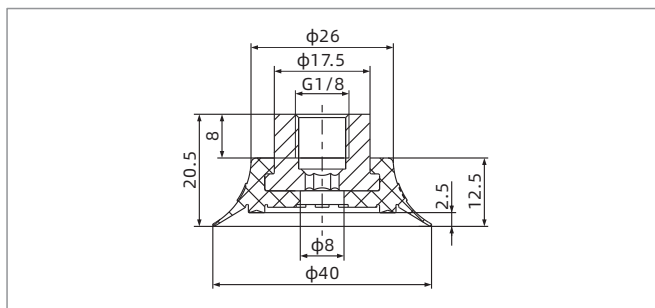
Model	Pull-out force N	Inner volume cm ³	Min.curve radius of workpiece mm	Weight g	Recommended hose dia. mm	MPQ pcs
SFD40	60	3.8	48	4.8	8	1
SFD70	185	25	85	32.2	8	1

◇ Note: Testing vacuum level -60kPa, workpiece with smooth and clean surface. The data of pull-out force as above are figured out without considering safety factor. The data may be different according to different workpiece surfaces. Recommend the length of vacuum hose to be as short as possible, max 2m.

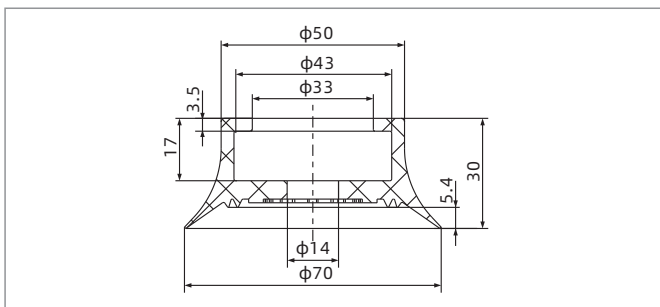
Dimensions(mm)



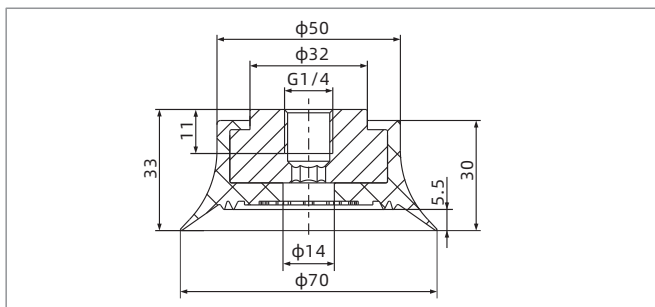
SFD40



SFD40□-G1F



SFD70



SFD70□-G2F

◇ Note: The dimensional tolerance conforms to GB/T3672.1-2002-1 M3 rubber product dimensional tolerance standard

SB Series

Universal Bellows Suction Cup



UNIVERSAL



Features

- ◇ 1.5 Bellows
- ◇ Support structure at the bottom
- ◇ Various sizes for option

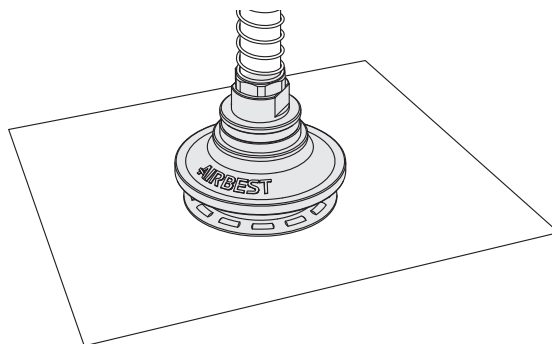
Advantages

- ◇ Easy to fit uneven surface of workpiece, and has buffer effect
- ◇ Handling thin workpiece without permanent deformation
- ◇ Suitable for workpieces with different sizes and shapes



Applications

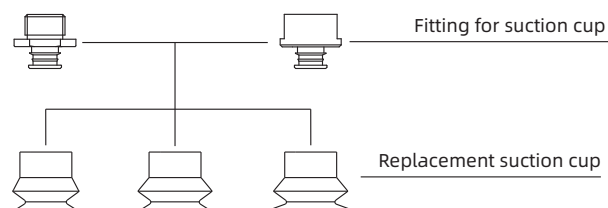
- ◇ Handling of workpieces with uneven surface, such as carton, cardboard, cambered workpiece, pipe, etc
- ◇ Handling fragile workpieces, such as electronic components, plastic injection parts, etc
- ◇ Handling smooth wood plate, smooth steel plate and so on



Structure

- ◇ 1.5 Bellows, large compressed stroke.
- ◇ Suction cup and fitting are split structure design, wearing parts can be replaced separately.

In same series, replacement suction cup and fitting can be combined on request.



SB Series

Universal Bellows Suction Cup

How to order

SB 30 N - G1M - EW

① ② ③ ④ ⑤

① Series	② Diameter	③ Material & Hardness	④ Connection thread	⑤ Special specification
SB	5 - φ5mm	20 - φ20mm	N - NBR	55 Nil - Suction cup only Nil - Standard
	6 - φ6mm	30 - φ30mm	S - Silicone	50 M5M - M5×0.8 male thread EW - With mesh filter
	8 - φ8mm	40 - φ40mm	WS - White silicone	50 G1M - G1/8 male thread EH - With throttle valve
	10 - φ10mm	50 - φ50mm	CS - Conductive silicone	55 G2M - G1/4 male thread
	12 - φ12mm	75 - φ75mm		G3M - G3/8 male thread
	15 - φ15mm	110 - φ110mm		G1F - G1/8 female thread
	17 - φ17mm	150 - φ150mm		G2F - G1/4 female thread
				G3F - G3/8 female thread
			G4F - G1/2 female thread	

Selection

Model	Connection thread	
	M - Male thread	F - Female thread
SB5□	SB5□-M5M	-
SB6□	SB6□-M5M	-
SB8□	SB8□-M5M	-
SB10□	SB10□-M5M	-
SB12□	SB12□-M5M	-
SB15□	SB15□-M5M	-
SB17□	SB17□-G1M(-EW/EH)	SB17□-G1F(-EW/EH)
SB20□	SB20□-G1M(-EW/EH)	SB20□-G1F(-EW/EH)
SB30□	SB30□-G1M(-EW/EH)	SB30□-G1F(-EW/EH)
SB40□	SB40□-G1M(-EW/EH)	SB40□-G1F(-EW/EH)
SB50□	SB50□-G2M(-EW/EH) SB50□-G3M(-EW/EH)	SB50□-G2F(-EW/EH) SB50□-G3F(-EW/EH)
SB75□	-	SB75□-G2F
SB110□	-	SB110□-G4F
SB150□	-	SB150□-G4F

- SZ
- SP3
- SUF
- SAN
- SAO
- SOFA
- STP
- SFT
- SFA
- SBT
- SBL
- SBLP
- SBS
- SFP
- SBP
- SXP
- SGP
- SBOF
- STC
- SFF
- SOB
- SOF
- SOG
- SFM
- SOM
- SBF
- SDM
- SFU
- SFK
- SHT
- SDL
- SFG
- SFGT
- SFD
- SB**
- SBA
- SF
- SU
- SP2F
- SPA
- SPD
- SPF
- SPC
- SPJ
- SPU
- SH
- SHB
- SBB
- SOP
- SNP

SB Series

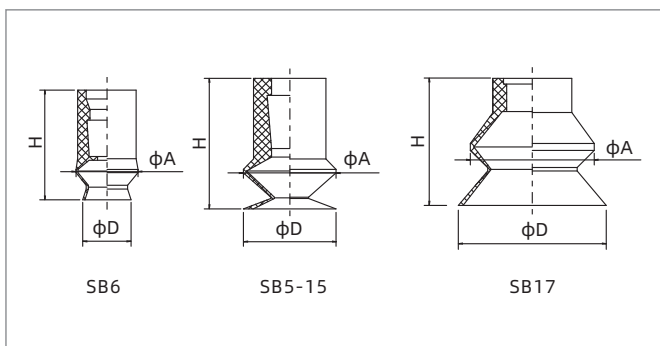
Universal Bellows Suction Cup

Technical parameters

Model	Pull-out force N	Inner volume cm ³	Min.curve radius of workpiece mm	Weight g	Recommended hose dia. mm	MPQ pcs
SB5	0.8	<0.1	8	0.3	4	10
SB6	1.2	<0.1	8	0.5	4	10
SB8	2.1	<0.1	10	0.4	4	10
SB10	3.2	0.4	12	0.9	4	10
SB12	4.7	0.5	15	1.5	6	10
SB15	7.4	0.8	20	1.5	6	10
SB17	9.5	1.1	25	1	6	10
SB20	18	1.2	30	3	6	5
SB30	33	14	35	7.5	6	5
SB40	60	18	50	13	6	5
SB50	92	26	80	24	8	1
SB75	210	96	60	68	8	1
SB110	412	314	120	178	12	1
SB150	740	798	160	439.5	12	1

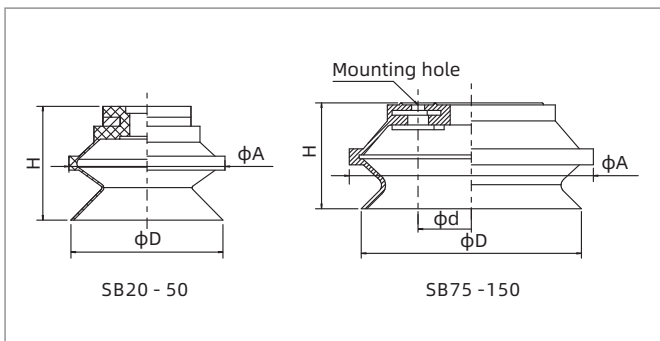
◇ Note: Testing vacuum level -60kPa, workpiece with smooth and clean surface. The data of pull-out force as above are figured out without considering safety factor. The data may be different according to different workpiece surfaces. Recommend the length of vacuum hose to be as short as possible, max 2m.

Dimensions(mm) - Suction cup only



Model/Size	D	A	H
SB5□	5.8	6.2	9.2
SB6□	7	9	13.5
SB8□	8.8	9.6	11.9
SB10□	11	12	16
SB12□	12	14	16.5
SB15□	17.5	17.5	19.5
SB17□	18.5	16.6	15.6

SB



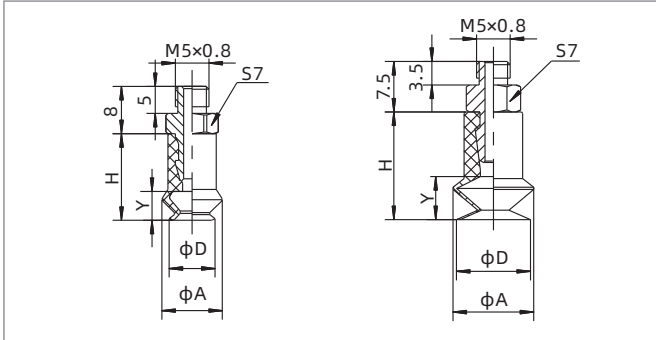
Model/Size	D	A	H	d	Mounting hole
SB20□	22	24	19	-	-
SB30□	34	36	26	-	-
SB40□	43	46	28	-	-
SB50□	53	58	35	-	-
SB75□	78	83	37	35	4-φ6
SB110□	115	124	54	55	8-φ6
SB150□	155	166	71	70.5	8-φ6

SB

SB Series

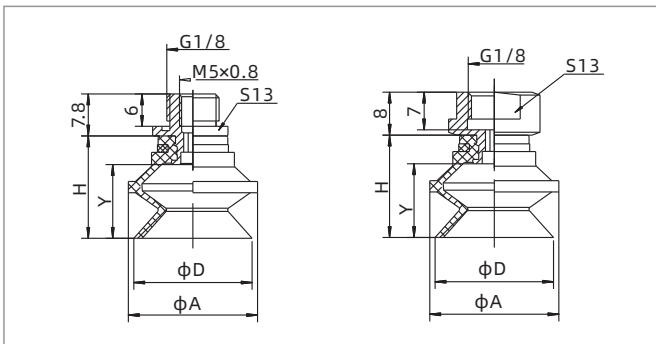
Universal Bellows Suction Cup

Dimensions(mm) - Suction cup with fitting



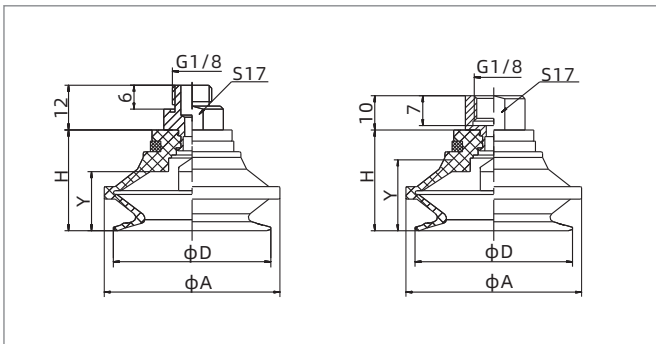
SB6□-M5M

SB□□-M5M



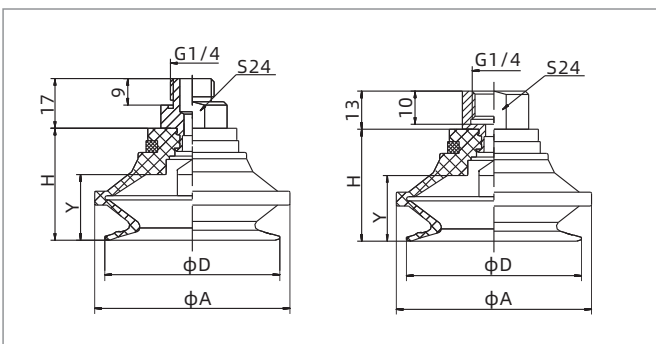
SB□□-G1M

SB□□-G1F



SB□□-G1M

SB□□-G1F



SB50□-G2M

SB50□-G2F

Model/Size	D	A	H	Y
SB5□-M5M	5.8	6.2	9.2	3.6
SB6□-M5M	7	9	13.5	4.5
SB8□-M5M	8.8	9.6	11.9	6.5
SB10□-M5M	11	12	16	7
SB12□-M5M	12	14	16.5	5.5
SB15□-M5M	15.5	17.5	19.5	10

Model/Size	D	A	H	Y
SB17□-G1M	18.5	16.6	15.6	10.5
SB17□-G1F	18.5	16.6	15.6	10.5
SB20□-G1M	22	24	19	9
SB20□-G1F	22	24	19	9

Model/Size	D	A	H	Y
SB30□-G1M	34	36	26	19
SB30□-G1F	34	36	26	19
SB40□-G1M	43	46	28	20
SB40□-G1F	43	46	28	20

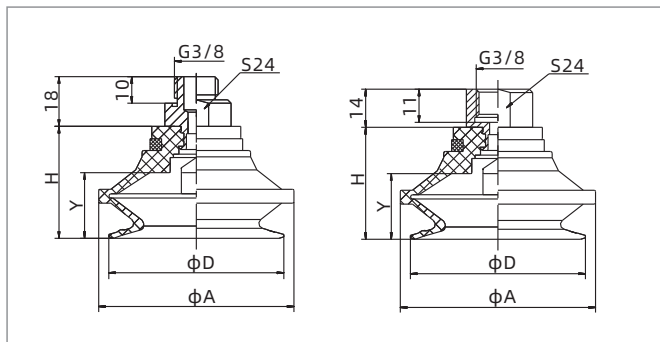
Model/Size	D	A	H	Y
SB50□-G2M	53	58	35	20
SB50□-G2F	53	58	35	20

- SZ
- SP3
- SUF
- SAN
- SAO
- SOFA
- STP
- SFT
- SFA
- SBT
- SBL
- SBLP
- SBS
- SFP
- SBP
- SXP
- SGP
- SBOF
- STC
- SFF
- SOB
- SOF
- SOG
- SFM
- SOM
- SBF
- SDM
- SFU
- SFK
- SHT
- SDL
- SFG
- SFGT
- SFD
- SB**
- SBA
- SF
- SU
- SP2F
- SPA
- SPD
- SPF
- SPC
- SPJ
- SPU
- SH
- SHB
- SBB
- SOP
- SNP

SB Series

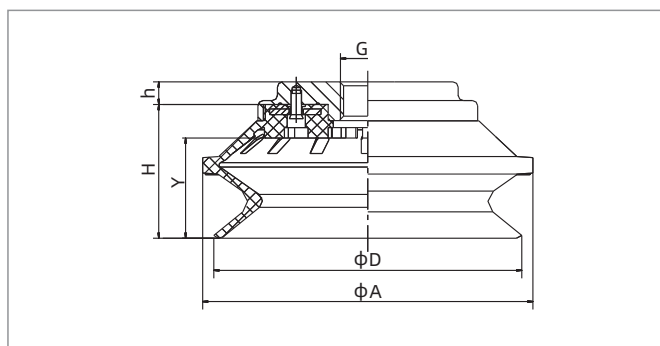
Universal Bellows Suction Cup

Dimensions(mm) - Suction cup with fitting



SB50□-G3M

SB50□-G3F



SB75-150

◇ Note: The dimensional tolerance conforms to GB/T3672.1-2002-1 M3 rubber product dimensional tolerance standard

Model/Size	D	A	H	Y
SB50□-G3M	53	58	35	20
SB50□-G3F	53	58	35	20

Model/Size	D	A	H	h	G	Y
SB75□-G2F	78	83	37	13	G1/4	27
SB110□-G4F	115	124	54	9	G1/2	38.5
SB150□-G4F	155	166	71	10	G1/2	44.5

Mounting parts

Item	Model		Applicable suction cup
	M - Male thread	F - Female thread	
Fitting for suction cup	PJS-M5M-SC1	-	SB6
	PJS-M5M-SC2	-	SB5,8
	PJS-M5M-SC3	-	SB10,12,15
	PJS-G1M-SF1	PJS-G1F-SF1	SB17,20
	PJS-G1M-SF2	PJS-G1F-SF2	SB30,40
	PJS-G2M-SF3	PJS-G2F-SF3	SB50
	PJS-G3M-SF3	PJS-G3F-SF3	SB50
	-	PJS-G2F-SF75	SB75
	-	PJS-G4F-SF110	SB110
	-	PJS-G4F-SF150	SB150

SBA Series

1.5 Bellows Suction Cup



UNIVERSAL



Features

- ◇ 1.5 Bellows
- ◇ Special material with high temperature resistance is optional
- ◇ Various sizes for option

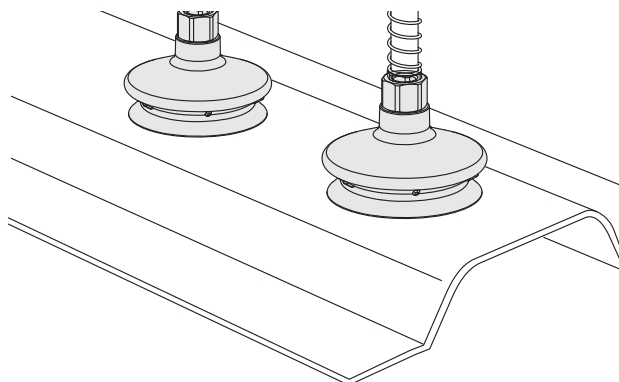
Advantages

- ◇ Easy to fit uneven surface of workpiece, has buffer effect
- ◇ Can handle workpiece with high temperature
- ◇ Fitting can be used repeatedly, greatly reducing customer's cost
- ◇ Suitable for workpieces with different sizes and shapes



Applications

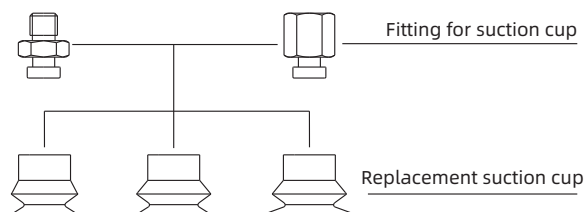
- ◇ Handling of workpieces with uneven surface, such as carton, cardboard, cambered workpiece, pipe, etc.
- ◇ Handling high temperature plastic injection parts, metal sheet, glass, etc.
- ◇ Handling smooth wood plate, smooth steel plate and so on



Structure

- ◇ 1.5 Bellows, large compressed stroke
- ◇ Suction cup and fitting are split structure design, wearing parts can be replaced separately
- ◇ Mark free plug is optional, for grasping without any mark

In same series, replacement suction cup and fitting can be combined on request.



SZ
SP3
SUF
SAN
SAO
SOFA
STP
SFT
SFA
SBT
SBL
SBLP
SBS
SFP
SBP
SXP
SGP
SBOF
STC
SFF
SOB
SOF
SOG
SFM
SOM
SBF
SDM
SFU
SFK
SHT
SDL
SFG
SFGT
SFD
SB
SBA
SF
SU
SP2F
SPA
SPD
SPF
SPC
SPJ
SPU
SH
SHB
SBB
SOP
SNP

SBA Series

1.5 Bellows Suction Cup

How to order

SBA 33 N - G2M - PK

① ② ③ ④ ⑤

① Series	② Diameter	③ Material & Hardness	④ Connection thread	⑤ Special specification	
SBA	6 - φ6mm	27 - φ27mm	N - NBR	55 Nil - Suction cup only	Nil - Standard type
	11 - φ11mm	33 - φ33mm	WS - White silicone	50 M5M - M5×0.8 male thread	PK - With mark free plug
	14 - φ14mm	43 - φ43mm	HD - High temp/Mark free	60 G1M - G1/8 male thread	
	16 - φ16mm	53 - φ53mm	NR - Natural rubber	40 G2M - G1/4 male thread	
	20 - φ20mm	63 - φ63mm		M5F - M5×0.8 female thread	
	22 - φ22mm	78 - φ78mm		G1F - G1/8 female thread	
	25 - φ25mm			G2F - G1/4 female thread	

Selection

Model	Connection thread M - Male thread	F - Female thread
SBA6□	SBA6□-M5M	SBA6□-M5F
SBA11□	SBA11□-M5M SBA11□-G1M	SBA11□-M5F SBA11□-G1F
SBA14□	SBA14□-M5M SBA14□-G1M	SBA14□-M5F SBA14□-G1F
SBA16□	SBA16□-M5M SBA16□-G1M	SBA16□-M5F SBA16□-G1F
SBA20□	SBA20□-M5M SBA20□-G1M	SBA20□-M5F SBA20□-G1F
SBA22□	SBA22□-M5M SBA22□-G1M	SBA22□-M5F SBA22□-G1F
SBA25□	SBA25□-M5M SBA25□-G1M	SBA25□-M5F SBA25□-G1F
SBA27□	SBA27□-G2M	SBA27□-G2F
SBA33□	SBA33□-G2M	SBA33□-G2F
SBA43□	SBA43□-G2M	SBA43□-G2F
SBA53□	SBA53□-G2M	SBA53□-G2F
SBA63□	SBA63□-G2M	SBA63□-G2F
SBA78□	SBA78□-G2M	SBA78□-G2F

SBA Series

1.5 Bellows Suction Cup

Selection - With mark free plug

Model	M - Male thread		F - Female thread	
SBA11□-PK	SBA11□-M5M-PK	SBA11□-G1M-PK	SBA11□-M5F-PK	SBA11□-G1F-PK
SBA14□-PK	SBA14□-M5M-PK	SBA14□-G1M-PK	SBA14□-M5F-PK	SBA14□-G1F-PK
SBA16□-PK	SBA16□-M5M-PK	SBA16□-G1M-PK	SBA16□-M5F-PK	SBA16□-G1F-PK
SBA20□-PK	SBA20□-M5M-PK	SBA20□-G1M-PK	SBA20□-M5F-PK	SBA20□-G1F-PK
SBA22□-PK	SBA22□-M5M-PK	SBA22□-G1M-PK	SBA22□-M5F-PK	SBA22□-G1F-PK
SBA25□-PK	SBA25□-M5M-PK	SBA25□-G1M-PK	SBA25□-M5F-PK	SBA25□-G1F-PK
SBA27□-PK	SBA27□-G2M-PK		SBA27□-G2F-PK	
SBA33□-PK	SBA33□-G2M-PK		SBA33□-G2F-PK	
SBA43□-PK	SBA43□-G2M-PK		SBA43□-G2F-PK	
SBA53□-PK	SBA53□-G2M-PK		SBA53□-G2F-PK	

Technical parameters

Model	Pull-out force N	Inner volume cm ³	Min. curved radius of workpiece mm	Weight g	Recommended hose dia. mm	MPQ pcs
SBA6	1.4	0.1	2	0.2	4	10
SBA11	3.8	0.2	10	1.0	6	10
SBA14	5.0	0.4	13	1.1	6	10
SBA16	6.7	0.8	20	1.4	6	10
SBA20	10.7	1.2	30	1.5	6	5
SBA22	15.2	1.4	25	2.2	6	5
SBA25	17.3	3.2	20	3.1	6	5
SBA27	24.0	3.4	23	4.7	6	5
SBA33	39.6	4.8	40	7.2	6	5
SBA43	64.5	11.4	60	11.9	6	5
SBA53	95.0	26.0	75	20.2	8	1
SBA63	135.0	44.0	75	25.5	8	1
SBA78	218.0	76.0	70	52.6	8	1

◇ Note: Testing vacuum level -60kPa, workpiece with smooth and clean surface. The data of pull-out force as above are figured out without considering safety factor. The data may be different according to different workpiece surfaces. Recommend the length of vacuum hose to be as short as possible, max 2m.

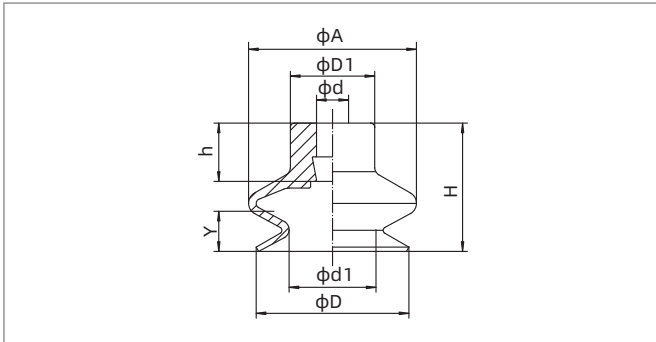
- SZ
- SP3
- SUF
- SAN
- SAO
- SOFA
- STP
- SFT
- SFA
- SBT
- SBL
- SBLP
- SBS
- SFP
- SBP
- SXP
- SGP
- SBOF
- STC
- SFF
- SOB
- SOF
- SOG
- SFM
- SOM
- SBF
- SDM
- SFU
- SFK
- SHT
- SDL
- SFG
- SFGT
- SFD
- SB
- SBA**
- SF
- SU
- SP2F
- SPA
- SPD
- SPF
- SPC
- SPJ
- SPU
- SH
- SHB
- SBB
- SOP
- SNP

SBA Series

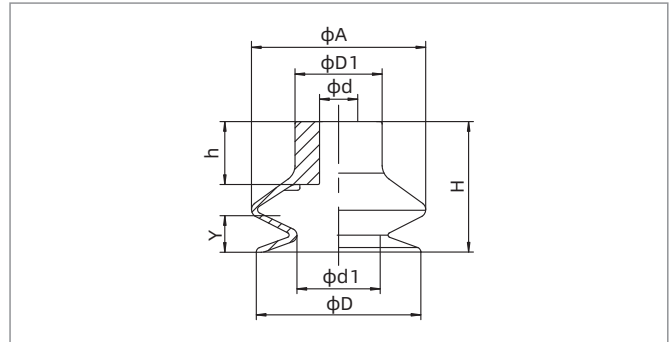
1.5 Bellows Suction Cup



Dimensions(mm) - Suction cup only



SBA6-25



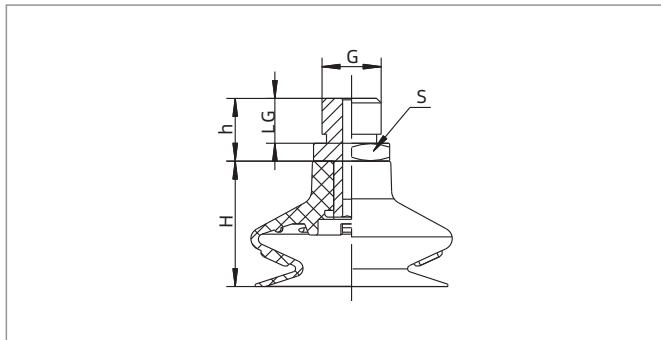
SBA27-78

Model/Size	D	H	A	D1	d	d1	h	Y
SBA6□	5.5	9	6	7	3.7	2.7	5	3
SBA11□	10.5	16	12	10	4	5	7	4
SBA14□	13	15.5	13.5	10	4	5	7	6
SBA16□	15.5	19	17	10	4	8	7	7
SBA20□	18	15	20	10	4	11	7	8
SBA22□	22	19	24	10	4	11	9	9
SBA25□	24	23	25	10	4	9.5	9	11.5
SBA27□	26	25	27.5	16	8	14	13	9
SBA33□	35	27	36	18	8	17	13	10
SBA43□	43	28	45	18	8	21.5	13	11.5
SBA53□	53	34	58	18	8	32	13	15.5
SBA63□	63	33.5	66	18	8	43.5	13	15
SBA78□	78	46.5	83	25	12	54.5	20	14.5

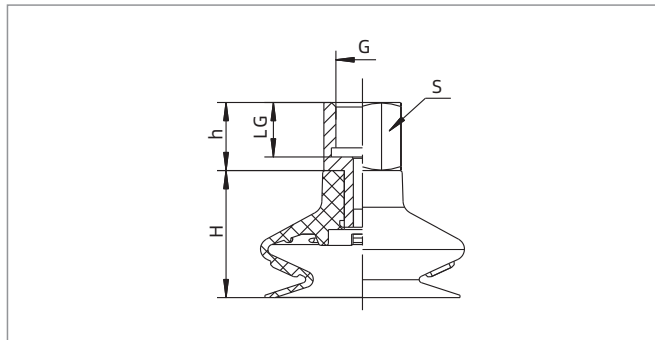
SBA Series

1.5 Bellows Suction Cup

Dimensions(mm) - Suction cup with fitting



SBA - Male thread connection



SBA - Female thread connection

Model/Size	H	h	G	LG	S
SBA6□-M5M	9	7.5	M5 × 0.8	3.5	7
SBA11□-M5M	16	7.5	M5 × 0.8	3.5	7
SBA11□-G1M	16	13.5	G1/8	7.5	14
SBA14□-M5M	15.5	7.5	M5 × 0.8	3.5	7
SBA14□-G1M	15.5	13.5	G1/8	7.5	14
SBA16□-M5M	19	7.5	M5 × 0.8	3.5	7
SBA16□-G1M	19	13.5	G1/8	7.5	14
SBA20□-M5M	15	7.5	M5 × 0.8	3.5	7
SBA20□-G1M	15	13.5	G1/8	7.5	14
SBA22□-M5M	19	7.5	M5 × 0.8	3.5	7
SBA22□-G1M	19	13.5	G1/8	7.5	14
SBA25□-M5M	23	7.5	M5 × 0.8	3.5	7
SBA25□-G1M	23	13.5	G1/8	7.5	14
SBA27□-G2M	25	15	G1/4	11	17
SBA33□-G2M	27	15	G1/4	11	17
SBA43□-G2M	28	15	G1/4	11	17
SBA53□-G2M	34	15	G1/4	11	17
SBA63□-G2M	33.5	15	G1/4	11	17
SBA78□-G2M	46.5	15	G1/4	11	21

Model/Size	H	h	G	LG	S
SBA6□-M5F	9	10	M5 × 0.8	5.5	7
SBA11□-M5F	16	10	M5 × 0.8	5.5	8
SBA11□-G1F	16	12	G1/8	8	14
SBA14□-M5F	15.5	10	M5 × 0.8	5.5	8
SBA14□-G1F	15.5	12	G1/8	8	14
SBA16□-M5F	19	10	M5 × 0.8	5.5	8
SBA16□-G1F	19	12	G1/8	8	14
SBA20□-M5F	15	10	M5 × 0.8	5.5	8
SBA20□-G1F	15	12	G1/8	8	14
SBA22□-M5F	19	10	M5 × 0.8	5.5	8
SBA22□-G1F	19	12	G1/8	8	14
SBA25□-M5F	23	10	M5 × 0.8	5.5	8
SBA25□-G1F	23	12	G1/8	8	14
SBA27□-G2F	25	15	G1/4	12	17
SBA33□-G2F	27	15	G1/4	12	17
SBA43□-G2F	28	15	G1/4	12	17
SBA53□-G2F	34	15	G1/4	12	17
SBA63□-G2F	33.5	15	G1/4	12	17
SBA78□-G2F	46.5	15	G1/4	12	21

◇ Note: The dimensional tolerance conforms to GB/T3672.1-2002-1 M3 rubber product dimensional tolerance standard

Mounting parts

Item	Model M - Male thread	F - Female thread	Applicable suction cup
Fitting for suction cup	PJS-M5M-SBA6	PJS-M5F-SBA6	SBA6
	PJS-M5M-SC3	PJS-M5F-SC3	SBA11,14,16,20,22,25
	PJS-G1M-SC3	PJS-G1F-SC3	SBA11,14,16,20,22,25
	PJS-G2M-ST5	PJS-G2F-ST5	SBA27,33,43,53,63
	PJS-G2M-ST8	PJS-G2F-ST8	SBA78

- SZ
- SP3
- SUF
- SAN
- SAO
- SOFA
- STP
- SFT
- SFA
- SBT
- SBL
- SBLP
- SBS
- SFP
- SBP
- SXP
- SGP
- SBOF
- STC
- SFF
- SOB
- SOF
- SOG
- SFM
- SOM
- SBF
- SDM
- SFU
- SFK
- SHT
- SDL
- SFG
- SFGT
- SFD
- SB
- SBA
- SF
- SU
- SP2F
- SPA
- SPD
- SPF
- SPC
- SPJ
- SPU
- SH
- SHB
- SBB
- SOP
- SNP

SF Series

Universal Flat Suction Cup

AIRBEST



Features

- ◇ Support structure at the bottom
- ◇ Small inner volume
- ◇ Various sizes are available

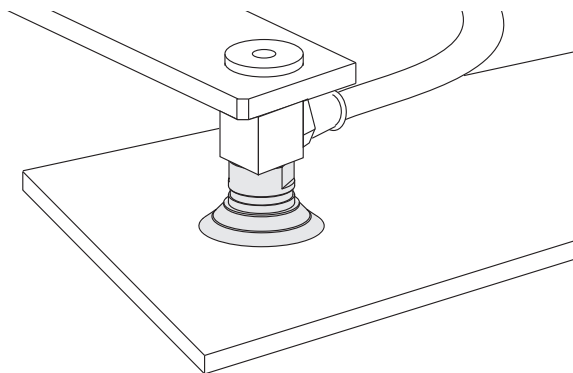
Advantages

- ◇ Handling thin workpiece without permanent deformation
- ◇ Short work cycle
- ◇ Suitable for workpieces with different sizes and shapes



Applications

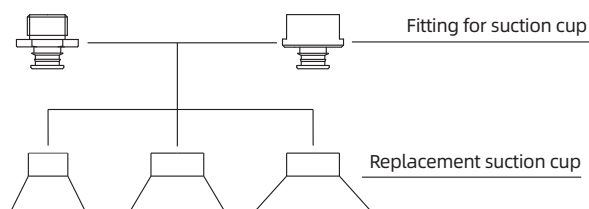
- ◇ Suitable for flat workpiece with smooth or slightly rough surfaces, such as smooth wood plate, smooth steel plate, plywood, plastic plate, etc.
- ◇ Suitable for handling electronic components, anti-static material can effectively prevent electrostatic damage to electronic products



Structure

- ◇ Suction cup and fitting are split structure design, wearing parts can be replaced separately
- ◇ Contact inductive valve is optional for suction cup with diameter $\phi 50-150\text{mm}$, in order to avoid accidental vacuum leakage
- ◇ Note: The functional threaded hole is sealed with a plug when delivered. Seal the thread with thread glue or raw tape when connecting

In same series, replacement suction cup and fitting can be combined on request.



SF Series

Universal Flat Suction Cup

How to order

SF 50 N - G2F - EB
 ① ② ③ ④ ⑤

① Series	② Diameter	③ Material & Hardness	④ Connection thread	⑤ Special specification
SF	15 - φ15mm	N - NBR	55 Nil - Suction cup only	Nil - Standard
	20 - φ20mm	S - Silicone	50 M5M - M5×0.8 male thread	EB - With contact inductive valve
	25 - φ25mm	WS - White silicone	50 G1M - G1/8 male thread	EW - With mesh filter
	30 - φ30mm	CS - Conductive silicone	55 G2M - G1/4 male thread	EH - With throttle valve
	40 - φ40mm		G3M - G3/8 male thread	
	50 - φ50mm		G1F - G1/8 female thread	
	75 - φ75mm		G2F - G1/4 female thread	
	110 - φ110mm		G3F - G3/8 female thread	
	150 - φ150mm		G4F - G1/2 female thread	
	200 - φ200mm		G6F - G3/4 female thread	
300 - φ300mm				

Selection

Model	Connection thread	
	M - Male thread	F - Female thread
SF15□	SF15□-M5M	-
SF20□	SF20□-G1M(-EW/EH)	SF20□-G1F(-EW/EH)
SF25□	SF25□-G1M(-EW/EH)	SF25□-G1F(-EW/EH)
SF30□	SF30□-G1M(-EW/EH)	SF30□-G1F(-EW/EH)
SF40□	SF40□-G1M(-EW/EH)	SF40□-G1F(-EW/EH)
SF50□	SF50□-G2M(-EW/EH) SF50□-G3M(-EW/EH)	SF50□-G2F(-EW/EH/EB) SF50□-G3F(-EW/EH)
SF75□	-	SF75□-G2F SF75□-G2F-EB
SF110□	-	SF110□-G4F SF110□-G4F-EB
SF150□	-	SF150□-G4F SF150□-G4F-EB
SF200□	-	SF200□-G4F
SF300□	-	SF300□-G6F

- SZ
- SP3
- SUF
- SAN
- SAO
- SOFA
- STP
- SFT
- SFA
- SBT
- SBL
- SBLP
- SBS
- SFP
- SBP
- SXP
- SGP
- SBOF
- STC
- SFF
- SOB
- SOF
- SOG
- SFM
- SOM
- SBF
- SDM
- SFU
- SFK
- SHT
- SDL
- SFG
- SFGT
- SFD
- SB
- SBA
- SF
- SU
- SP2F
- SPA
- SPD
- SPF
- SPC
- SPJ
- SPU
- SH
- SHB
- SBB
- SOP
- SNP

SF Series

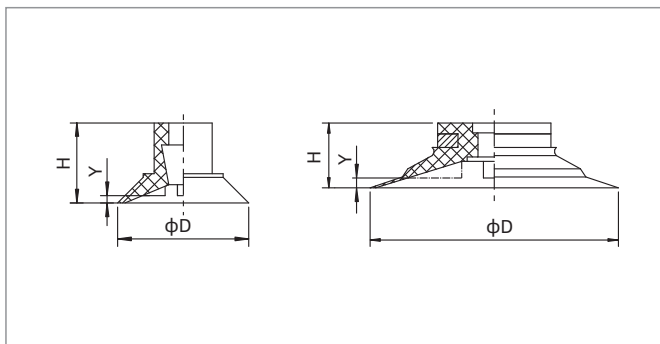
Universal Flat Suction Cup

Technical parameters

Model	Pull-out force N	Inner volume cm ³	Weight g	Recommended hose dia. mm	MPQ pcs
SF15	8	0.5	0.7	6	10
SF20	14.5	0.8	1.4	6	5
SF25	22	1.2	1.8	6	5
SF30	32	1.5	2.6	6	5
SF40	60	3	5.2	6	5
SF50	88	7	11.5	6	1
SF75	200	20	47.2	8	1
SF110	430	60	116	10	1
SF150	795	160	344.2	10	1
SF200	1,500	550	732.2	12	1
SF300	3,200	730	2,700	12	1

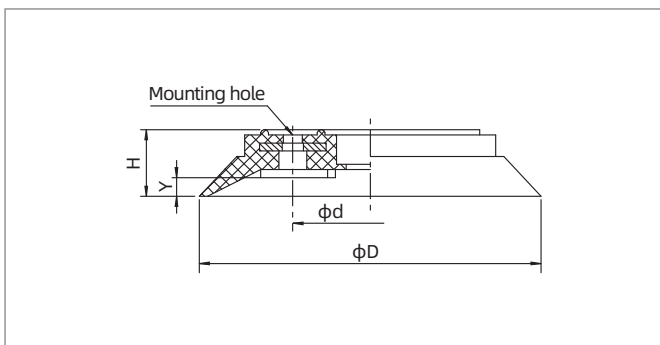
◇ Note: Testing vacuum level -60kPa, workpiece with smooth and clean surface. The data of pull-out force as above are figured out without considering safety factor. The data may be different according to different workpiece surfaces. Recommend the length of vacuum hose to be as short as possible, max 2m.

Dimensions(mm) - Suction cup only



SF15

SF20-50



SF75-200

◇ Note: The dimensional tolerance conforms to GBT3672.1-2002-1 M3 rubber product dimensional tolerance standard

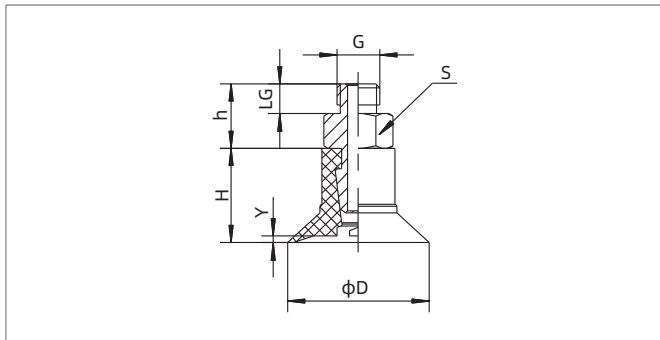
Model/Size	D	H	Y
SF15□	16.5	11	0.8
SF20□	22	8	1
SF25□	27	9	1
SF30□	32	10	1.2
SF40□	42	13	1.2
SF50□	53	17.5	3.2

Model/Size	D	H	d	Y	Mounting hole
SF75□	77	13	35	4	4-φ6
SF110□	112	20	55	6	8-φ6
SF150□	152	26	70	8	8-φ6
SF200□	200	45	40	20	4-φ9

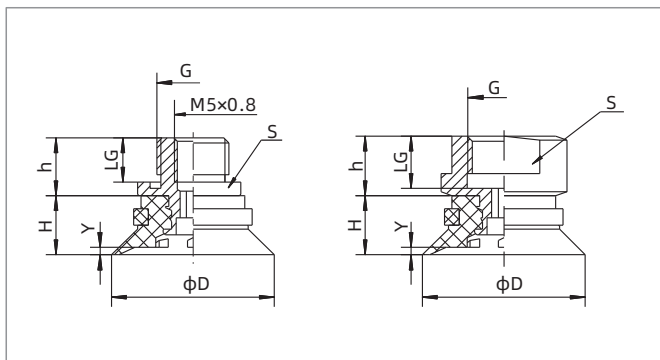
SF Series

Universal Flat Suction Cup

Dimensions(mm) - Suction cup with fitting

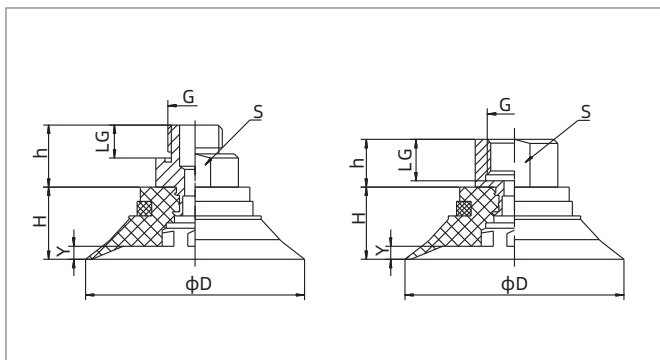


SF15□-M5M Male thread connection



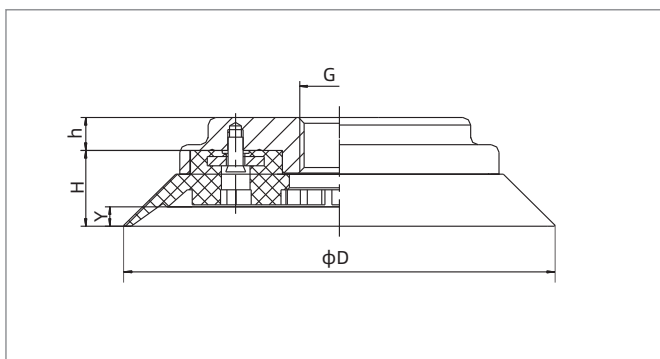
SF20-30 Male thread connection

SF20-30 Female thread connection



SF40-50 Male thread connection

SF40-50 Female thread connection



SF75-150 Female thread connection

Model/Size	D	H	G	LG	h	S	Y
SF15□-M5M	16.5	11	M5 × 0.8	3.5	7.5	7	0.8

Model/Size	D	H	G	LG	h	S	Y
SF20□-G1M	22	8	G1/8	6	7.8	13	1
SF20□-G1F	22	8	G1/8	7	8	13	1
SF25□-G1M	27	9	G1/8	6	7.8	13	1
SF25□-G1F	27	9	G1/8	7	8	13	1
SF30□-G1M	32	10	G1/8	6	7.8	13	1.2
SF30□-G1F	32	10	G1/8	7	8	13	1.2

Model/Size	D	H	G	LG	h	S	Y
SF40□-G1M	42	13	G1/8	6	12	17	1.2
SF40□-G1F	42	13	G1/8	7	10	17	1.2
SF50□-G2M	53	17.5	G1/4	9	17	24	3.2
SF50□-G2F	53	17.5	G1/4	10	13	24	3.2
SF50□-G3M	53	17.5	G3/8	10	18	24	3.2
SF50□-G3F	53	17.5	G3/8	11	13	24	3.2

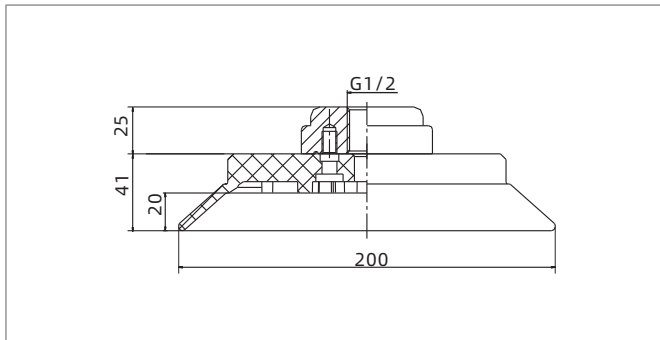
Model/Size	D	H	G	h	Y
SF75□-G2F	77	13	G1/4	13	4
SF110□-G4F	112	20	G1/2	9	6
SF150□-G4F	152	26	G1/2	10	8

- SZ
- SP3
- SUF
- SAN
- SAO
- SOFA
- STP
- SFT
- SFA
- SBT
- SBL
- SBLP
- SBS
- SFP
- SBP
- SXP
- SGP
- SBOF
- STC
- SFF
- SOB
- SOF
- SOG
- SFM
- SOM
- SBF
- SDM
- SFU
- SFK
- SHT
- SDL
- SFG
- SFGT
- SFD
- SB
- SBA
- SF
- SU
- SP2F
- SPA
- SPD
- SPF
- SPC
- SPJ
- SPU
- SH
- SHB
- SBB
- SOP
- SNP

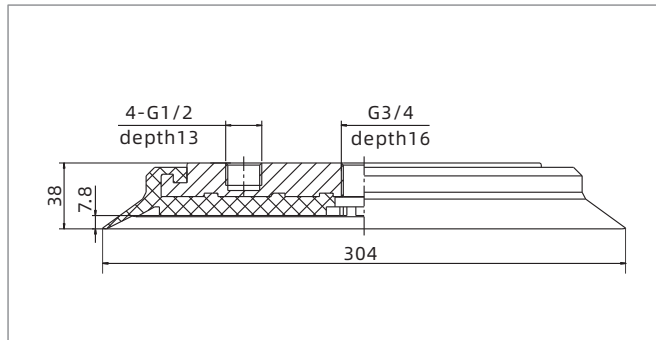
SF Series

Universal Flat Suction Cup

Dimensions(mm) - Suction cup with fitting

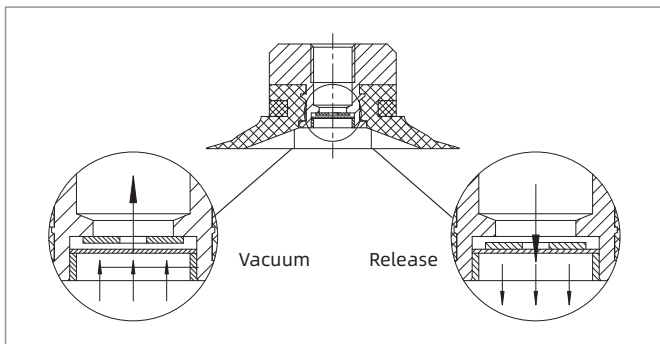


SF200 Female thread connection



SF300 Female thread connection

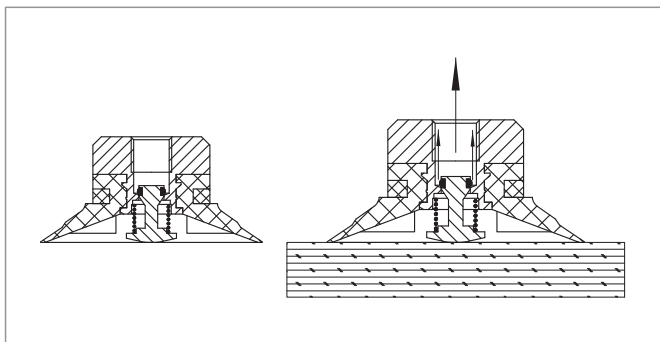
Accessories



EH - Throttle valve

EH - Throttle valve

- ◇ The flow through the vacuum port increases when the suction cup doesn't contact the workpiece, the valve plate fits the vacuum port, just little vacuum flow leaks from the small hole
- ◇ The flow through the vacuum port reduces when the suction cup sucks the workpiece, the valve plate leaves the vacuum port, suction cup works normally. (Suction cup must work vertically when it is equipped with throttle valve)



EB - Contact inductive valve

EB - Contact inductive valve

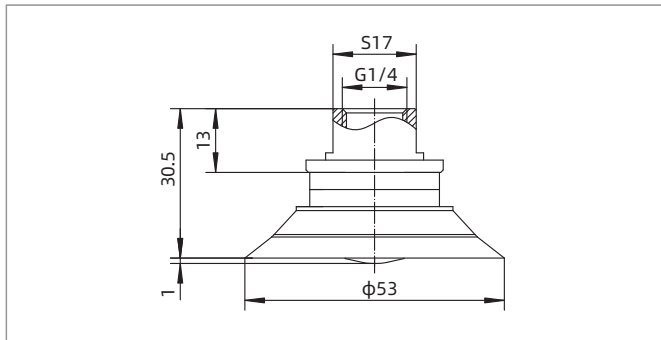
- ◇ When the suction cup doesn't contact the workpiece, the inductive valve closes the vacuum port to prevent the vacuum flow leakage
- ◇ When the suction cup contacts the workpiece, compresses the valve rod of the inductive valve, the vacuum port opens and the suction cup works normally

◇ Note: The contact inductive valve should be used with PSPT-H, PSPH and PSPD series level compensators. Otherwise, the spring force of inductive valve is higher than that of the level compensator, which results in the failure to open the valve. Please contact us for more details.

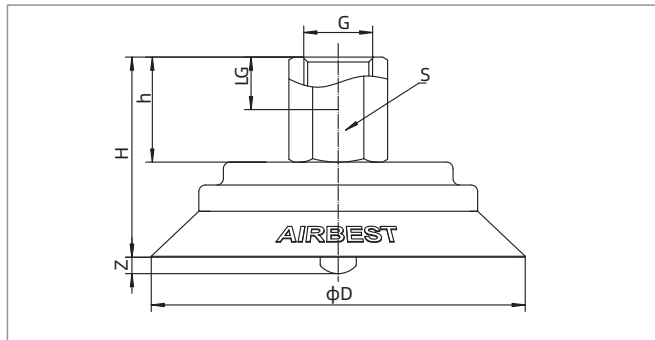
SF Series

Universal Flat Suction Cup

Dimensions(mm) - With contact inductive valve



SF50□-G2F-EB



SF75-150

Model/Size	D	H	h	G	LG	S	Z	Spring force N
SF75-G2F-EB	77	58	32	G1/4	10	27	5	13
SF75-G4F-EB	77	58	32	G1/2	15	27	5	13
SF110-G4F-EB	112	61	32	G1/2	15	27	5	15
SF150-G4F-EB	152	69	32	G1/2	15	27	5	16

◇ Note: The spring force is the min. pressure required when the suction cup is attached to the surface of the workpiece and the inductive valve is fully opened. The spring force (50% stroke) of the level compensator should be higher than that of the inductive valve.

Mounting parts

Item	Model M - Male thread	F - Female thread	Applicable suction cup
Fitting for suction cup	PJS-M5M-SC3	-	SF15
	PJS-G1M-SF1	PJS-G1F-SF1	SF20, 25, 30
	PJS-G1M-SF2	PJS-G1F-SF2	SF40
	PJS-G2M-SF3	PJS-G2F-SF3	SF50
	PJS-G3M-SF3	PJS-G3F-SF3	SF50
	-	PJS-G2F-SF75	SF75
	-	PJS-G4F-SF110	SF110
	-	PJS-G4F-SF150	SF150
		PJS-G4F-SF200	SF200

- SZ
- SP3
- SUF
- SAN
- SAO
- SOFA
- STP
- SFT
- SFA
- SBT
- SBL
- SBLP
- SBS
- SFP
- SBP
- SXP
- SGP
- SBOF
- STC
- SFF
- SOB
- SOE
- SOG
- SFM
- SOM
- SBF
- SDM
- SFU
- SFK
- SHT
- SDL
- SFG
- SFGT
- SFD
- SB
- SBA
- SF
- SU
- SP2F
- SPA
- SPD
- SPF
- SPC
- SPJ
- SPU
- SH
- SHB
- SBB
- SOP
- SNP

SU Series

Universal Flat Suction Cup

AIRBEST



Features

- ◇ Standard flat lip
- ◇ Small inner volume
- ◇ Various sizes are available

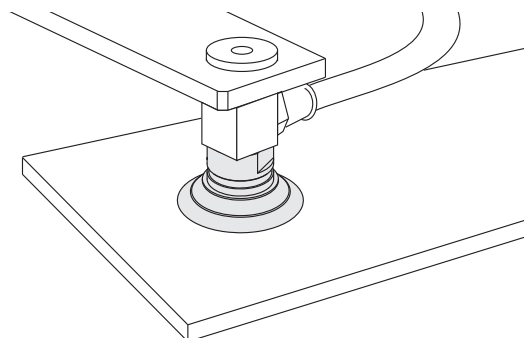
Advantages

- ◇ Suitable for handling most of workpieces with smooth and flat surface or slightly curved surface
- ◇ Short work cycle
- ◇ Suitable for workpieces with different sizes and shapes



Applications

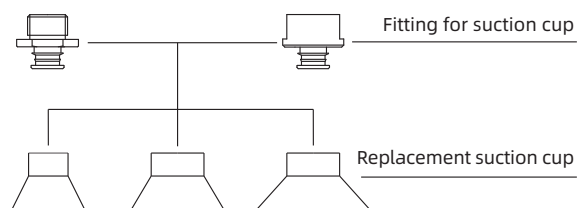
- ◇ Suitable for handling workpiece with smooth and flat surface or slightly curved surface, such as glass, wood plate, metal sheet, plastic plate, etc
- ◇ Suitable for handling automotive body parts



Structure

- ◇ Suction cup with diameter $\phi 6$ - $\phi 50$ mm and fitting are split structure design, wearing parts can be replaced separately
- ◇ For SU80, suction cup and fitting are one-piece structure

In same series, replacement suction cup and fitting can be combined on request



SU Series

Universal Flat Suction Cup

How to order

SU 20 N - G1F - EW

① ② ③ ④ ⑤

① Series	② Diameter	③ Material & Hardness	④ Connection thread	⑤ Special specification
SU	6 - φ6mm	25 - φ25mm N - NBR	55 Nil - Suction cup only M5M - M5×0.8 male thread	Nil - Standard
	8 - φ8mm	30 - φ30mm S - Silicone	50 G1F - G1/8 female thread G1M - G1/8 male thread	EW - With mesh filter
	10 - φ10mm	40 - φ40mm WS - White silicone	50 G2F - G1/4 female thread G2M - G1/4 male thread	EH - With throttle valve
	15 - φ15mm	50 - φ50mm CS - Conductive silicone	55 G3F - G3/8 female thread G3M - G3/8 male thread	
	20 - φ20mm	80 - φ80mm		

Selection

Model	Connection thread	
	M - Male thread	F - Female thread
SU6□	SU6□-M5M	-
SU8□	SU8□-M5M	-
SU10□	SU10□-M5M	-
SU15□	SU15□-M5M	-
SU20□	SU20□-G1M(-EW/EH)	SU20□-G1F(-EW/EH)
SU25□	SU25□-G1M(-EW/EH)	SU25□-G1F(-EW/EH)
SU30□	SU30□-G1M(-EW/EH)	SU30□-G1F(-EW/EH)
SU40□	SU40□-G1M(-EW/EH)	SU40□-G1F(-EW/EH)
SU50□	SU50□-G2M(-EW/EH) SU50□-G3M(-EW/EH)	SU50□-G2F(-EW/EH) SU50□-G3F(-EW/EH)
SU80□	-	SU80□-G1F

Technical parameters

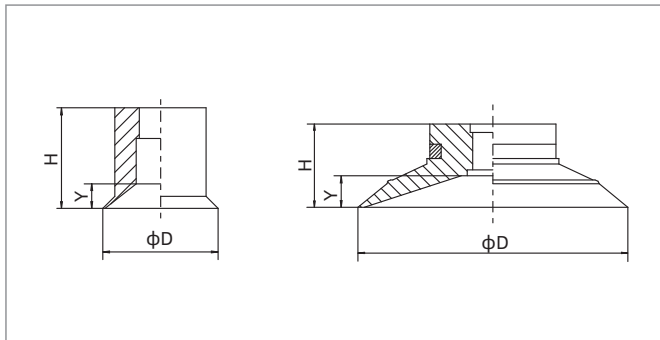
Model	Pull-out force N	Inner volume cm ³	Min.curve radius of workpiece mm	Weight g	Recommended hose dia. mm	MPQ pcs
SU6	2.1	<0.1	7.5	0.1	4	10
SU8	3.2	<0.1	10	0.2	4	10
SU10	4.7	<0.1	12	0.6	6	10
SU15	7.4	0.5	20	0.6	6	10
SU20	9.5	0.8	30	1.2	6	5
SU25	18	1.2	45	1.5	6	5
SU30	33	1.5	45	2.4	6	5
SU40	60	3	65	5.2	6	5
SU50	92	7	80	10.6	6	1
SU80	210	24	120	31	8	1

◇ Note: Testing vacuum level -60kPa, workpiece with smooth and clean surface. The data of pull-out force as above are figured out without considering safety factor. The data may be different according to different workpiece surfaces. Recommend the length of vacuum hose to be as short as possible, max 2m.

SU Series

Universal Flat Suction Cup

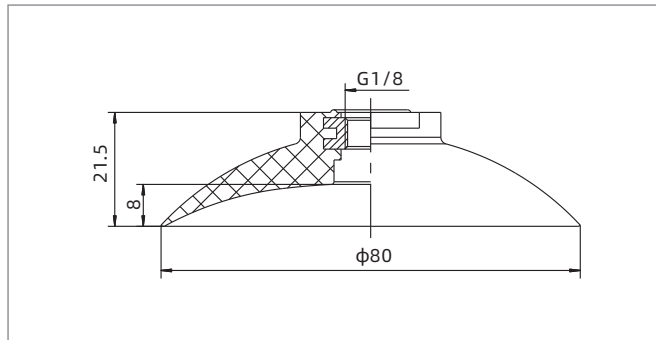
Dimensions(mm) - Suction cup only



SU6-15

SU20-50

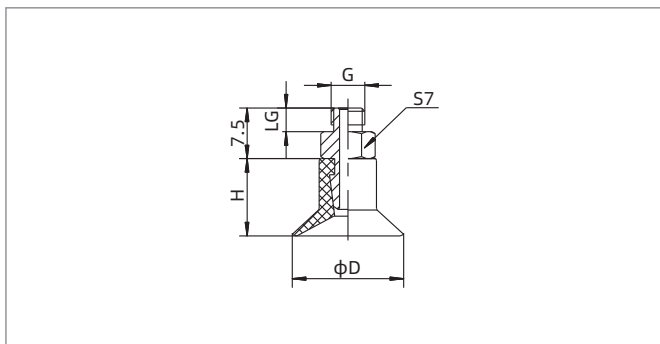
Model/Size	D	H	Y (Stroke)
SU6□	7	6.5	1.5
SU8□	9	7	2
SU10□	11	10.5	2
SF15□	16.5	11	3



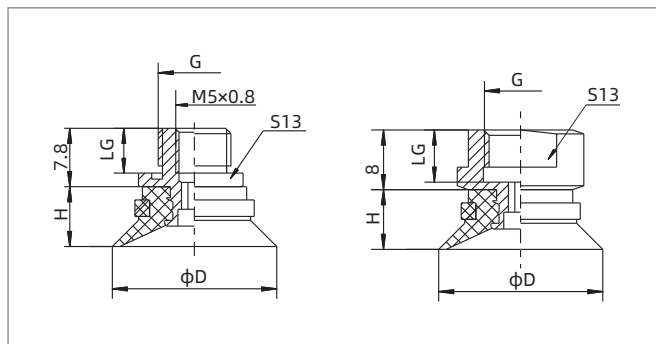
SU80

Model/Size	D	H	Y (Stroke)
SU20□	22	8	2.2
SU25□	27	9	2.9
SU30□	32	9.5	4.5
SU40□	42	13	5.2
SU50□	53	17.5	7

Dimensions(mm) - Suction cup with fitting



SU6-15 Male thread connection



SU20-30 Male thread connection

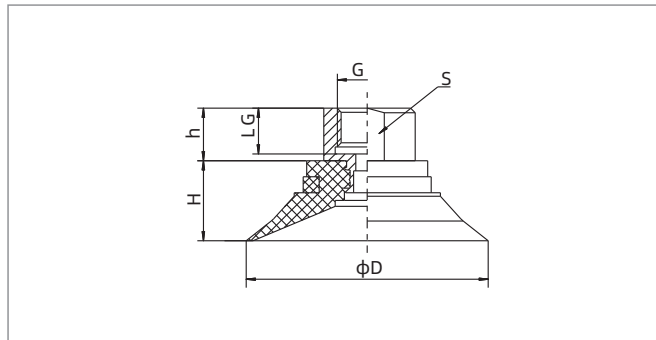
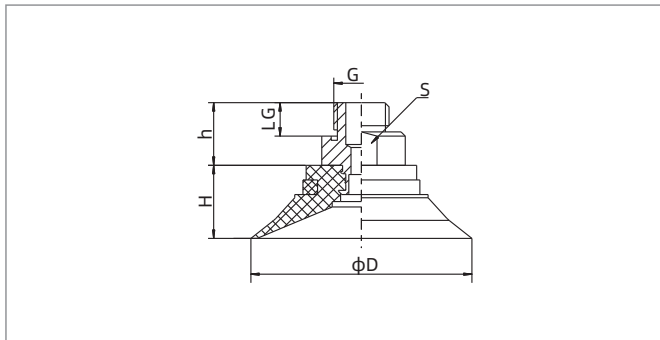
SU20-30 Female thread connection

Model/Size	D	H	G	LG	h	S
SU6□-M5M	7	6.5	M5 × 0.8	3.5	7.5	7
SU8□-M5M	9	7	M5 × 0.8	3.5	7.5	7
SU10□-M5M	11	10.5	M5 × 0.8	3.5	7.5	7
SU15□-M5M	16.5	11	M5 × 0.8	3.5	7.5	7
SU20□-G1M	22	8	G1/8	6	7.8	13
SU20□-G1F	22	8	G1/8	7	8	13
SU25□-G1M	27	9	G1/8	6	7.8	13
SU25□-G1F	27	9	G1/8	7	8	13
SU30□-G1M	32	9.5	G1/8	6	7.8	13
SU30□-G1F	32	9.5	G1/8	7	8	13

SU Series

Universal Flat Suction Cup

Dimensions(mm) - Suction cup with fitting



SU40-50 Male thread connection

SU40-50 Female thread connection

Model/Size	D	H	G	LG	h	S
SU40□-G1M	42	13	G1/8	6	12	17
SU40□-G1F	42	13	G1/8	7	10	17
SU50□-G2M	53	17.5	G1/4	9	17	24
SU50□-G2F	53	17.5	G1/4	10	13	24
SU50□-G3M	53	17.5	G3/8	10	18	24
SU50□-G3F	53	17.5	G3/8	11	13	24

◇ Note: The dimensional tolerance conforms to GB/T3672.1-2002-1 M3 rubber product dimensional tolerance standard

Mounting parts

Item	Model M - Male thread	F - Female thread	Applicable suction cup
Fitting for suction cup	PJS-M5M-SC2	-	SU6,8
	PJS-M5M-SC3	-	SU10,15
	PJS-G1M-SF1	PJS-G1F-SF1	SU20,25,30
	PJS-G1M-SF2	PJS-G1F-SF2	SU40
	PJS-G2M-SF3	PJS-G2F-SF3	SU50
	PJS-G3M-SF3	PJS-G3F-SF3	SU50

- SZ
- SP3
- SUF
- SAN
- SAO
- SOFA
- STP
- SFT
- SFA
- SBT
- SBL
- SBLP
- SBS
- SFP
- SBP
- SXP
- SGP
- SBOF
- STC
- SFF
- SOB
- SOE
- SOG
- SFM
- SOM
- SBF
- SDM
- SFU
- SFK
- SHT
- SDL
- SFG
- SFGT
- SFD
- SB
- SBA
- SF
- SU**
- SP2F
- SPA
- SPD
- SPF
- SPC
- SPJ
- SPU
- SH
- SHB
- SBB
- SOP
- SNP

SP2F Series

Thin Lip Flat Suction Cup

AIRBEST



PAPER ANTI-DEFORMATION



Features

- ◇ Thin lip, flat and short stroke
- ◇ With support structure at the bottom

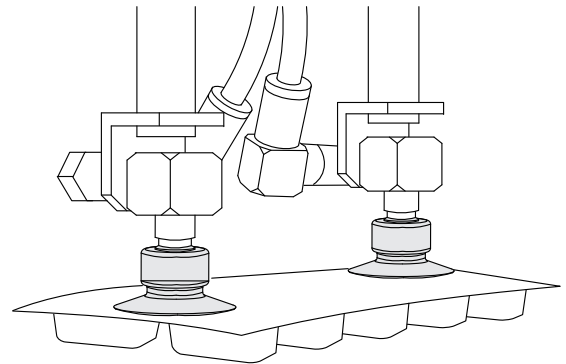
Advantages

- ◇ Good sealing for handling of thin and flat workpieces
- ◇ Prevents fold during handling of paper and thin film



Applications

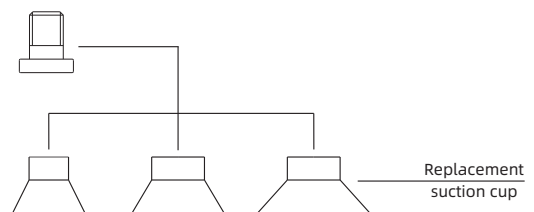
- ◇ Suitable for occasions that has high requirements for mark on product surface during handling, such as paper, plastic film, aluminum foil and copper foil



Structure

- ◇ Split structure for easy replacement of wearing parts

In the same series, replacement suction cup and fitting can be combined as required



SP2F Series

Thin Lip Flat Suction Cup

How to order

SP2F 10 N - M5M
 ① ② ③ ④

① Series	② Diameter	③ Material & Hardness	④ Connection thread
SP2F	10 - ϕ 10mm	N - NBR	55
	15 - ϕ 15mm	WS - White silicone	50
		CN - Conductive NBR	55
		CS - Conductive silicone	55
			Nil - Suction cup only M5M - M5x0.8 male thread

Selection

Model	Connection thread
SP2F10□	SP2F10□-M5M
SP2F15□	SP2F15□-M5M

Technical parameters

Model	Pull-out force N	Inner volume cm ³	Weight g	Recommended hose dia. mm	MPQ pcs
SP2F10	3.2	<0.1	0.3	4	10
SP2F15	7.5	<0.1	0.36	4	10

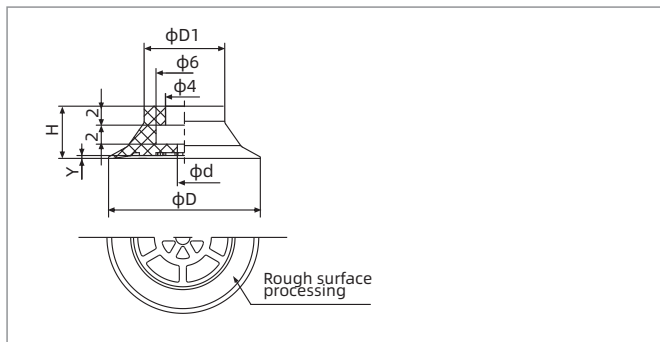
◇ Note: Testing vacuum level -60kPa, workpiece with smooth and clean surface. The data of pull-out force as above are figured out without considering safety factor. The data may be different according to different workpiece surfaces. Recommend the length of vacuum hose to be as short as possible, max 2m.

- SZ
- SP3
- SUF
- SAN
- SAO
- SOFA
- STP
- SFT
- SFA
- SBT
- SBL
- SBLP
- SBS
- SFP
- SBP
- SXP
- SGP
- SBOF
- STC
- SFF
- SOB
- SOF
- SOG
- SFM
- SOM
- SBF
- SDM
- SFU
- SFK
- SHT
- SDL
- SFG
- SFGT
- SFD
- SB
- SBA
- SF
- SU
- SP2F
- SPA
- SPD
- SPF
- SPC
- SPJ
- SPU
- SH
- SHB
- SBB
- SOP
- SNP

SP2F Series

Thin Lip Flat Suction Cup

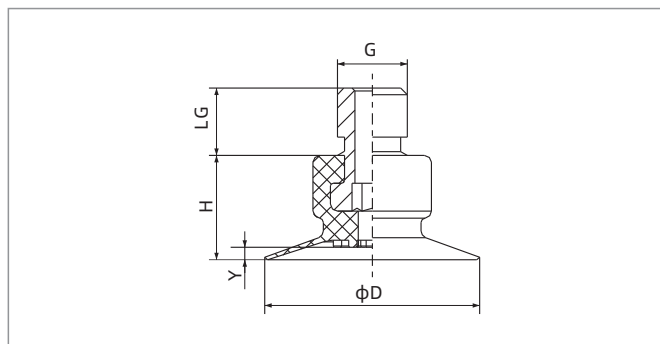
Dimensions(mm) - Suction cup only



SP2F10-15

Model/Size	D	D1	H	d	Y
SP2F10□	11	8.5	5.5	1.5	0.3
SP2F15□	16	8.5	5.5	1.5	0.3

Dimensions(mm) - Suction cup with fitting



SP2F10-15 Male thread connection

Model/Size	D	H	G	LG	Y
SP2F10□-M5M	11	5.5	M5×0.8	5	0.3
SP2F15□-M5M	16	5.5	M5×0.8	5	0.3

Mounting parts

Item	Model M - Male thread	Applicable suction cup
Fitting for suction cup	PJS-M5M-ST2	SP2F10、SP2F15

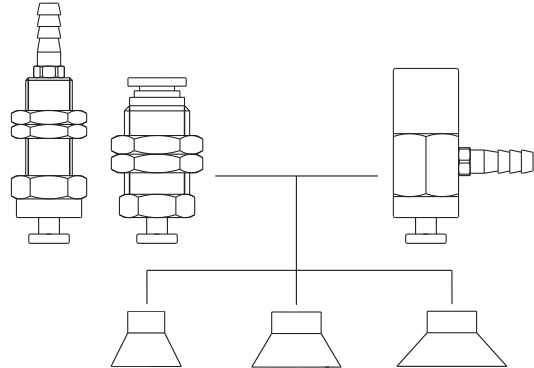
SP2F Series

Suction Cup with Locking Fitting

Structure

- ◇ Consisting of replacement suction cup and locking fitting
- ◇ Plug-in fitting for suction cup
- ◇ Vertical vacuum port, Pagoda fitting or one-touch fitting for connection, male thread for mounting
- ◇ Lateral vacuum port, Pagoda fitting for connection, female thread for mounting

In the same series, replacement suction cup and locking fitting can be combined as required



How to order

SP2F L B6 - M5M
 ① ② ③ ④

① Model	② Vacuum port direction	③ Vacuum port connection	④ Mounting thread
SP2F10N	Nil - Vertical direction	A4 - One-touch fitting φ4 hose	M4F - M4×0.7 female thread
	L - Lateral direction	A6 - One-touch fitting φ6 hose	M8M - M8×1 male thread
		B6 - Pagoda fitting φ6 hose	M12M - M12×1 male thread

◇ Please refer to page 287 for suction cup selection

Selection

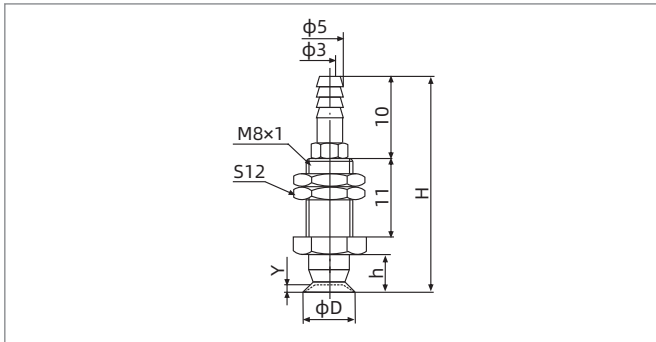
Model	Vacuum port direction	Vertical - One-touch fitting	Lateral - Pagoda fitting
	Vertical - Pagoda fitting		
SP2F10□	SP2F10□-B6-M8M	SP2F10□-A4-M12M	SP2F10□-LB6-M4F
SP2F15□	SP2F15□-B6-M8M	SP2F15□-A4-M12M	SP2F15□-LB6-M4F

- SZ
- SP3
- SUF
- SAN
- SAO
- SOFA
- STP
- SFT
- SFA
- SBT
- SBL
- SBLP
- SBS
- SFP
- SBP
- SXP
- SGP
- SBOF
- STC
- SFF
- SOB
- SOF
- SOG
- SFM
- SOM
- SBF
- SDM
- SFU
- SFK
- SHT
- SDL
- SFG
- SFGT
- SFD
- SB
- SBA
- SF
- SU
- SP2F**
- SPA
- SPD
- SPF
- SPC
- SPJ
- SPU
- SH
- SHB
- SBB
- SOP
- SNP

SP2F Series

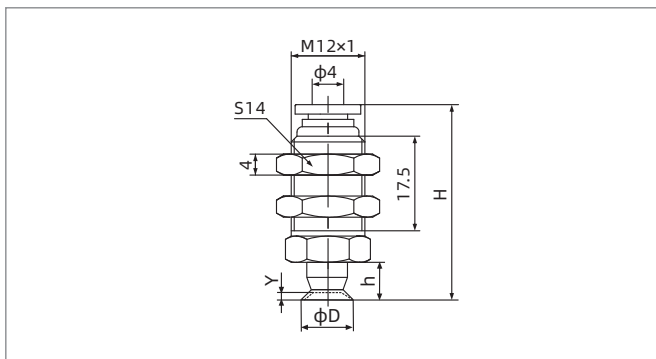
Suction Cup with Locking Fitting

Dimensions(mm)



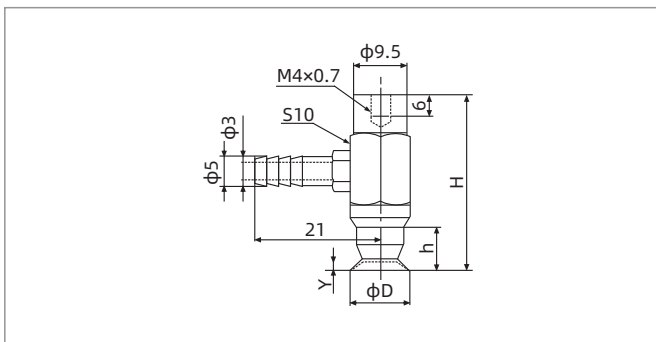
SP2F10-15 Vertical-Pagoda fitting

Model/Size	D	H	h	Y
SP2F10□-B6-M8M	11	29.5	5.5	0.3
SP2F15□-B6-M8M	16	29.5	5.5	0.3



SP2F10-15 Vertical - One-touch fitting

Model/Size	D	H	h	Y
SP2F10□-A4-M12M	11	33	5.5	0.3
SP2F15□-A4-M12M	16	33	5.5	0.3



SP2F10-15 Lateral-Pagoda fitting

Model/Size	D	H	h	Y
SP2F10□-LB6-M4F	11	28	5.5	0.3
SP2F15□-LB6-M4F	16	28	5.5	0.3

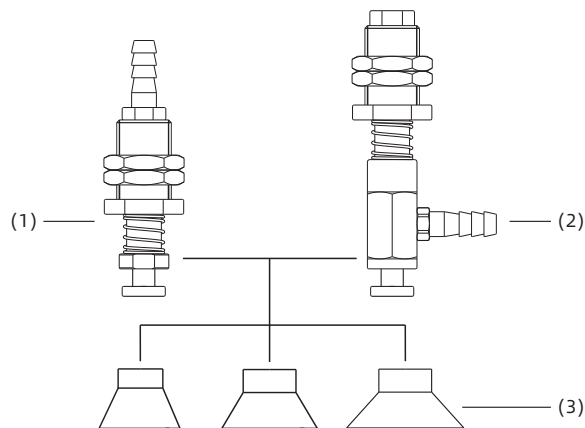
SP2F Series

Suction Cup with Level Compensator

Structure

- ◇ Consisting of replacement suction cup(3) and level compensator
- ◇ Plug-in fitting for suction cup
- ◇ Vertical vacuum port(1), male thread for mounting
- ◇ Lateral vacuum port(2), male thread for mounting

In the same series, replacement suction cup and level compensator can be combined as required



How to order

SP2F10N - F E 10 LB6 - M11

① ② ③ ④ ⑤ ⑥

① Model	② Level compensator type	③ Buffer type	④ Buffer stroke	⑤ Vacuum port connection	⑥ Mounting thread
SP2F10N	F - PSPF Series	E - External spring	4 10	B6 - Vertical, pagoda fitting φ6 hose LB6 - Lateral, pagoda fitting φ6 hose	M11 - M11×1

Selection

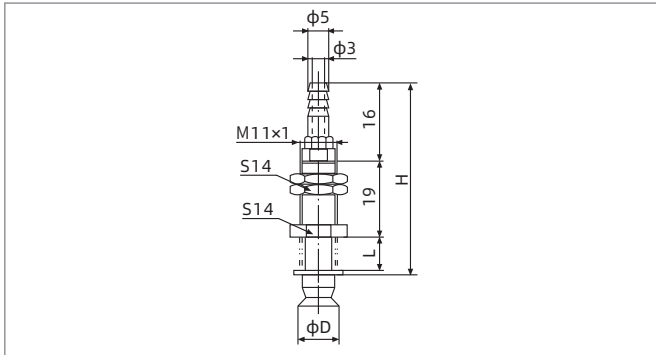
Model	Vacuum port direction Vertical - Pagoda fitting		Lateral - Pagoda fitting	
	SP2F10□	SP2F15□	SP2F10□	SP2F15□
SP2F10□	SP2F10□-FE4B6-M11	SP2F10□-FE10B6-M11	SP2F10□-FE4LB6-M11	SP2F10□-FE10LB6-M11
SP2F15□	SP2F15□-FE4B6-M11	SP2F15□-FE10B6-M11	SP2F15□-FE4LB6-M11	SP2F15□-FE10LB6-M11

- SZ
- SP3
- SUF
- SAN
- SAO
- SOFA
- STP
- SFT
- SFA
- SBT
- SBL
- SBLP
- SBS
- SFP
- SBP
- SXP
- SGP
- SBOF
- STC
- SFF
- SOB
- SOF
- SOG
- SFM
- SOM
- SBF
- SDM
- SFU
- SFK
- SHT
- SDL
- SFG
- SFGT
- SFD
- SB
- SBA
- SF
- SU
- SP2F
- SPA
- SPD
- SPF
- SPC
- SPJ
- SPU
- SH
- SHB
- SBB
- SOP
- SNP

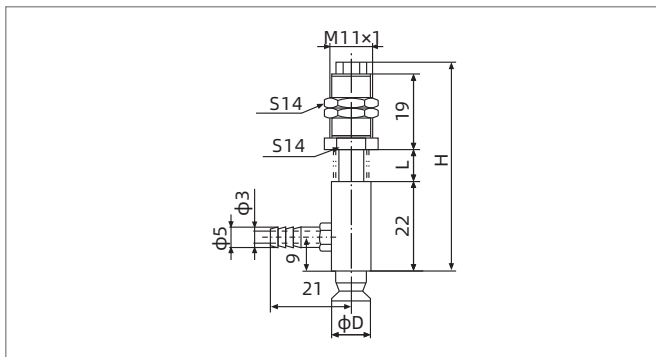
SP2F Series

Suction Cup with Level Compensator

Dimensions(mm)



SP2F10-15 Vertical-Pagoda fitting



SP2F10-15 Lateral-Pagoda fitting

Model/Size	D	H	L	Buffer stroke
SP2F10□-FE4B6-M11	11	46	8	4
SP2F10□-FE10B6-M11	11	58	20	10
SP2F15□-FE4B6-M11	16	46	8	4
SP2F15□-FE10B6-M11	16	58	20	10

Model/Size	D	H	L	Buffer stroke
SP2F10□-FE4LB6-M11	11	52	8	4
SP2F10□-FE10LB6-M11	11	64	20	10
SP2F15□-FE4LB6-M11	16	52	8	4
SP2F15□-FE10LB6-M11	16	64	20	10

SPA Series

Thin Lip Flat Suction Cup

AIRBEST



PAPER ANTI-DEFORMATION



Suction Cup

Features

- ◇ Thin lip, flat and short stroke
- ◇ With support structure at the bottom
- ◇ Available in various sizes

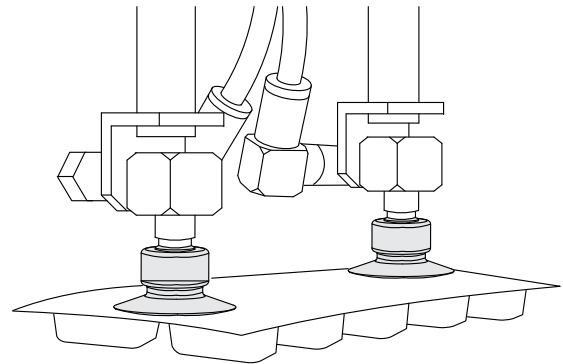
Advantages

- ◇ Good sealing for handling of thin and flat workpieces
- ◇ Prevents fold during handling of paper and thin film
- ◇ Suitable for workpieces of various sizes and shapes



Applications

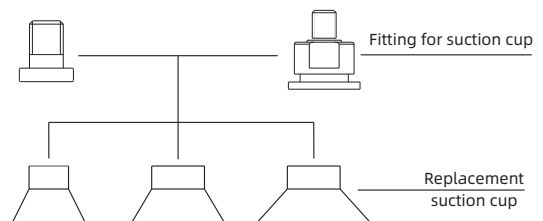
- ◇ Suitable for occasions that has high requirements for mark on product surface during handling, such as paper, plastic film, aluminum foil and copper foil
- ◇ B type suction cup is flat and with thin lip, which is more suitable for handling thin workpieces that are easy to wrinkle, such as aluminum foil, copper foil



Structure

- ◇ Split structure for easy replacement of wearing parts

In the same series, replacement suction cup and fitting can be combined as required



SZ
SP3
SUF
SAN
SAO
SOFA
STP
SFT
SFA
SBT
SBL
SBLP
SBS
SFP
SBP
SXP
SGP
SBOF
STC
SFF
SOB
SOF
SOG
SFM
SOM
SBF
SDM
SFU
SFK
SHT
SDL
SFG
SFGT
SFD
SB
SBA
SF
SU
SP2F
SPA
SPD
SPF
SPC
SPJ
SPU
SH
SHB
SBB
SOP
SNP

SPA Series

Thin Lip Flat Suction Cup

How to order

SPA 15 A N - M5M

① ② ③ ④ ⑤

① Series	② Diameter	③ Stroke	④ Material & Hardness	⑤ Connection thread
SPA	10 - ϕ 10mm	A	N - NBR 50	Nil - Suction cup only M5M - M5×0.8 male thread M6M - M6×1 male thread M8M - M8×1 male thread
	15 - ϕ 15mm	B	WS - White silicone 50	
	20 - ϕ 20mm	D	CN - Conductive NBR 55	
	30 - ϕ 30mm		CS - Conductive silicone 55	
	40 - ϕ 40mm			
	50 - ϕ 50mm			

Selection

Model	Connection thread M - Male thread	Model	Connection thread M - Male thread
SPA10A□	SPA10A□-M5M	SPA20B□	SPA20B□-M5M
SPA10B□	SPA10B□-M5M	SPA25A□	SPA25A□-M6M SPA25A□-M8M
SPA15A□	SPA15A□-M5M	SPA30A□	SPA30A□-M6M SPA30A□-M8M
SPA15B□	SPA15B□-M5M	SPA30B□	SPA30B□-M5M
SPA15D□	SPA15D□-M5M	SPA40A□	SPA40A□-M6M SPA40A□-M8M
SPA20A□	SPA20A□-M5M	SPA50A□	SPA50A□-M6M SPA50A□-M8M

Technical parameters

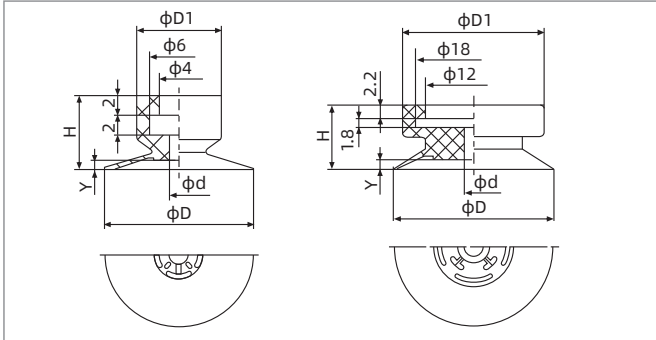
Model	Pull-out force N	Inner volume cm ³	Weight g	Recommended hose dia. mm	MPQ pcs
SPA10A	3.5	<0.1	0.3	4	10
SPA10B	3.5	<0.1	0.56	4	10
SPA15A	8	<0.1	0.28	4	10
SPA15B	8	<0.1	0.4	4	10
SPA15D	8	<0.1	0.28	4	10
SPA20A	15	0.3	0.8	4	5
SPA20B	15	<0.1	0.7	4	5
SPA25A	22	0.6	2.0	4	5
SPA30A	32	1.1	2.6	4	5
SPA30B	32	0.2	3.4	4	5
SPA40A	56	2.6	2.6	6	5
SPA50A	88	5.8	4.3	6	1

◇ Note: Testing vacuum level -60kPa, workpiece with smooth and clean surface. The data of pull-out force as above are figured out without considering safety factor. The data may be different according to different workpiece surfaces. Recommend the length of vacuum hose to be as short as possible, max 2m.

SPA Series

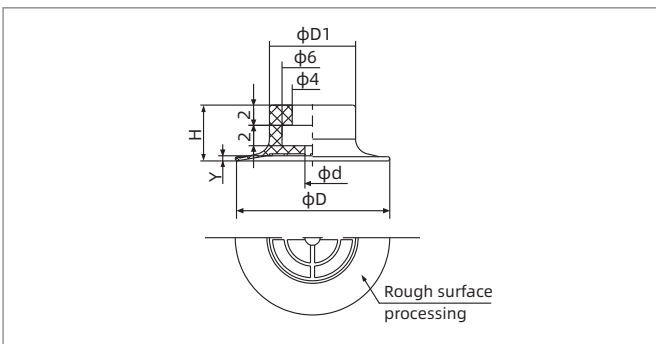
Thin Lip Flat Suction Cup

Dimensions(mm) - Suction cup only

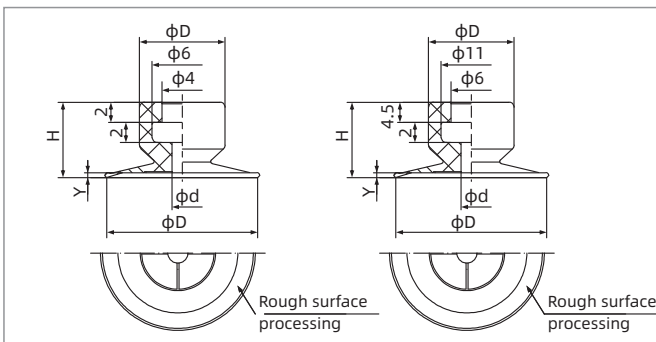


SPA10A-20A

SPA25A-50A



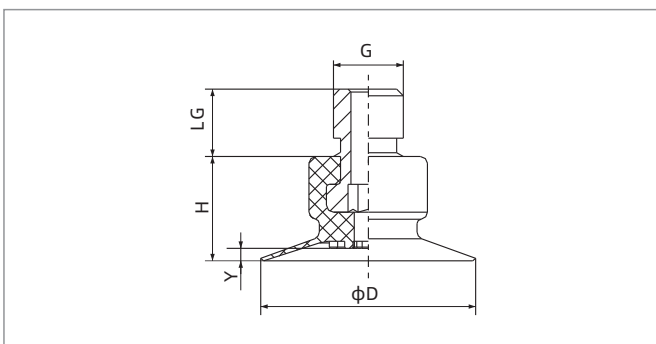
SPA15D



SPA10B-20B

SPA30B

Dimensions(mm) - Suction cup with fitting



SPA10-30 Male thread connection

Model/Size	D	D1	H	d	Y
SPA10A□	10	8.5	7.5	2	0.6
SPA15A□	15	8.5	7.5	2	0.9
SPA20A□	20	9	10	2	1.2
SPA25A□	25	22	10	3	1.5
SPA30A□	30	22	10	3	1.8
SPA40A□	40	22	10	3	2.4
SPA50A□	50	22	10	3	3

Model/Size	D	D1	H	d	Y
SPA15D□	15	8.5	5.5	1.5	0.5

Model/Size	D	D1	H	d	Y
SPA10B□	10	8.5	7.5	2	0.3
SPA15B□	15	8.5	7.5	2	0.5
SPA20B□	20	8.5	10	2	0.8
SPA30B□	30	15	11	3	0.3

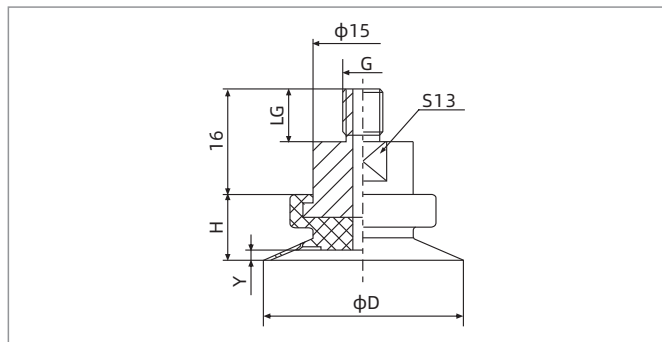
Model/Size	D	H	G	LG	Y
SPA10A□-M5M	10	7.5	M5×0.8	5	0.6
SPA10B□-M5M	10	7.5	M5×0.8	5	0.3
SPA15A□-M5M	15	7.5	M5×0.8	5	0.9
SPA15B□-M5M	15	7.5	M5×0.8	5	0.5
SPA15D□-M5M	15	5.5	M5×0.8	5	0.5
SPA20A□-M5M	20	10	M5×0.8	5	1.2
SPA20B□-M5M	20	10	M5×0.8	5	0.8
SPA30B□-M5M	30	11	M5×0.8	5	0.3

- SZ
- SP3
- SUF
- SAN
- SAO
- SOFA
- STP
- SFT
- SFA
- SBT
- SBL
- SBLP
- SBS
- SFP
- SBP
- SXP
- SGP
- SBOF
- STC
- SFF
- SOB
- SOE
- SOG
- SFM
- SOM
- SBF
- SDM
- SFU
- SFK
- SHT
- SDL
- SFG
- SFGT
- SFD
- SB
- SBA
- SF
- SU
- SP2F
- SPA
- SPD
- SPF
- SPC
- SPJ
- SPU
- SH
- SHB
- SBB
- SOP
- SNP

SPA Series

Thin Lip Flat Suction Cup

Dimensions(mm) - Suction cup with fitting



Model/size	D	H	G	LG	Y
SPA25A□-M6M	25	10	M6×1	8	1.5
SPA25A□-M8M	25	10	M8×1.25	8	1.5
SPA30A□-M6M	30	10	M6×1	8	1.8
SPA30A□-M8M	30	10	M8×1.25	8	1.8
SPA40A□-M6M	40	10	M6×1	8	2.4
SPA40A□-M8M	40	10	M8×1.25	8	2.4
SPA50A□-M6M	50	10	M6×1	8	3
SPA50A□-M8M	50	10	M8×1.25	8	3

SPA25A-50A

◇ Note: The dimensional tolerance conforms to the GBT 3672.1-2002-1 M3 rubber product dimensional tolerance standard

Mounting parts

Item	Model M - Male thread	Applicable suction cup
Fitting for suction cup	PJS-M5M-ST2	SPA10A, 10B, 15A, 15B, 15D, 20A, 20B
	PJS-M5M-ST3	SPA30B
	PJS-M6M-ST7	SPA25A, 30A, 40A, 50A
	PJS-M8M-ST7	SPA25A, 30A, 40A, 50A

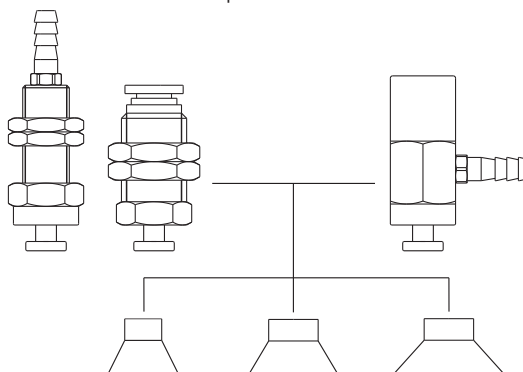
SPA Series

Suction Cup with Locking Fitting

Structure

- ◇ Consisting of replacement suction cup and locking fitting
- ◇ Plug-in fitting for suction cup
- ◇ Vertical vacuum port, Pagoda fitting or one-touch fitting for connection, male thread for mounting
- ◇ Lateral vacuum port, Pagoda fitting for connection, female thread for mounting

In the same series, replacement suction cup and locking fitting can be combined as required



How to order

SPA10AN - L B6 - M4F

① ② ③ ④

① Model	② Vacuum port direction	③ Vacuum port connection	④ Mounting thread
SPA10AN	Nil - Vertical direction L - Lateral direction	A4 - One-touch fitting ϕ 4 hose A6 - One-touch fitting ϕ 6 hose B6 - Pagoda fitting ϕ 6 hose	M4F - M4x0.7 female thread M6F - M6x1 female thread M8M - M8x1 male thread M10M - M10x1 male thread M12M - M12x1 male thread M14M - M14x1 male thread

◇ Please refer to page 294 for suction cup selection

Selection

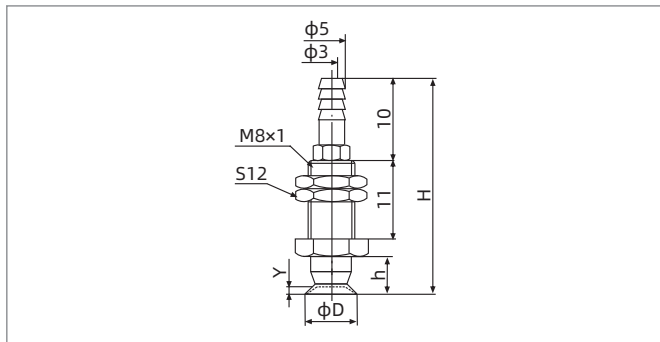
Model	Vacuum port direction Vertical-Pagoda fitting	Vertical-One-touch fitting	Lateral-Pagoda fitting
SPA10A□	SPA10A□-B6-M8M	SPA10A□-A4-M12M	SPA10A□-LB6-M4F
SPA10B□	SPA10B□-B6-M8M	SPA10B□-A4-M12M	SPA10B□-LB6-M4F
SPA15A□	SPA15A□-B6-M8M	SPA15A□-A4-M12M	SPA15A□-LB6-M4F
SPA15B□	SPA15B□-B6-M8M	SPA15B□-A4-M12M	SPA15B□-LB6-M4F
SPA15D□	SPA15D□-B6-M8M	SPA15D□-A4-M12M	SPA15D□-LB6-M4F
SPA20A□	SPA20A□-B6-M8M	SPA20A□-A4-M12M	SPA20A□-LB6-M4F
SPA20B□	SPA20B□-B6-M8M	SPA20B□-A4-M12M	SPA20B□-LB6-M4F
SPA25A□	SPA25A□-B6-M10M	SPA25A□-A6-M14M	SPA25A□-LB6-M6F
SPA30A□	SPA30A□-B6-M10M	SPA30A□-A6-M14M	SPA30A□-LB6-M6F
SPA30B□	SPA30B□-B6-M10M	SPA30B□-A6-M14M	SPA30B□-LB6-M6F
SPA40A□	SPA40A□-B6-M10M	SPA40A□-A6-M14M	SPA40A□-LB6-M6F
SPA50A□	SPA50A□-B6-M10M	SPA50A□-A6-M14M	SPA50A□-LB6-M6F

- SZ
- SP3
- SUF
- SAN
- SAO
- SOFA
- STP
- SFT
- SFA
- SBT
- SBL
- SBLP
- SBS
- SFP
- SBP
- SXP
- SGP
- SBOF
- STC
- SFF
- SOB
- SOF
- SOG
- SFM
- SOM
- SBF
- SDM
- SFU
- SKF
- SHT
- SDL
- SFG
- SFGT
- SFD
- SB
- SBA
- SF
- SU
- SP2F
- SPA**
- SPD
- SPF
- SPC
- SPJ
- SPU
- SH
- SHB
- SBB
- SOP
- SNP

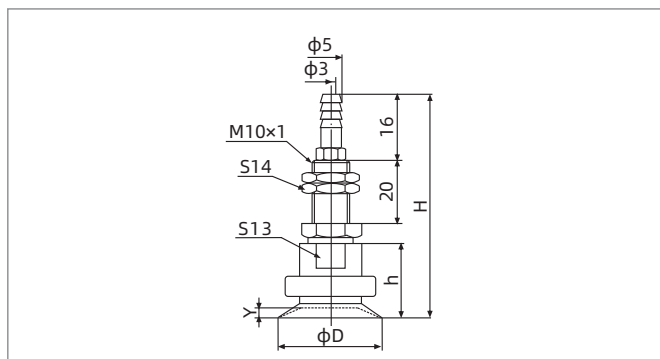
SPA Series

Suction Cup with Locking Fitting

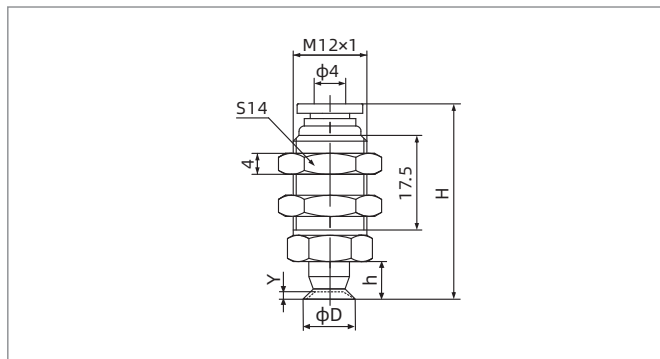
Dimensions(mm)



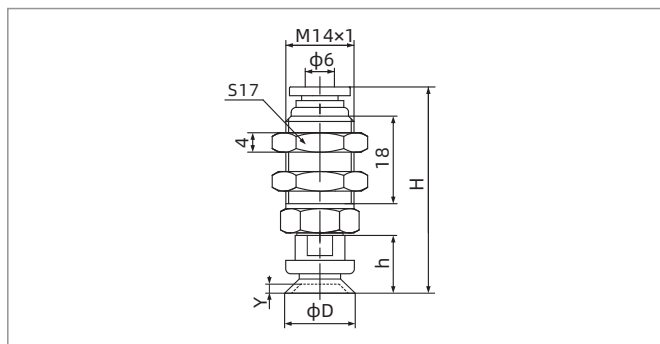
SPA10-20 Vertical-Pagoda fitting



SPA25-50 Vertical-Pagoda fitting



SPA10-20 Vertical-One-touch fitting



SPA25-50 Vertical-One-touch fitting

Model/Size	D	H	h	Y
SPA10A□-B6-M8M	10	31.5	7.5	0.6
SPA10B□-B6-M8M	10	31.5	7.5	0.3
SPA15A□-B6-M8M	15	31.5	7.5	0.9
SPA15B□-B6-M8M	15	31.5	7.5	0.5
SPA15D□-B6-M8M	15	29.5	5.5	0.5
SPA20A□-B6-M8M	20	34	10	12
SPA20B□-B6-M8M	20	34	10	0.8

Model/Size	D	H	h	Y
SPA25A□-B6-M10M	25	66	18	1.5
SPA30A□-B6-M10M	30	66	18	1.8
SPA30B□-B6-M10M	30	59	11	1.5
SPA40A□-B6-M10M	40	66	18	2.4
SPA50A□-B6-M10M	50	66	18	3

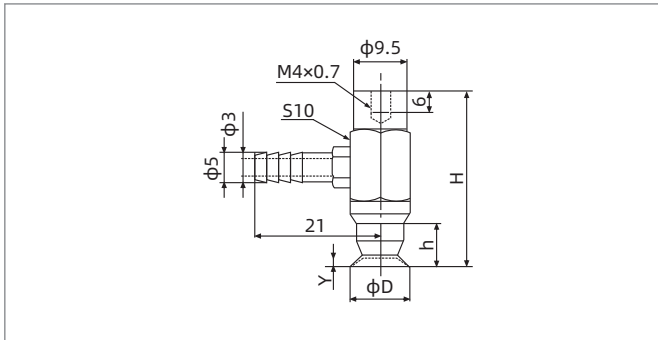
Model/Size	D	H	h	Y
SPA10A□-A4-M12M	10	35	7.5	0.6
SPA10B□-A4-M12M	10	35	7.5	0.3
SPA15A□-A4-M12M	15	35	7.5	0.9
SPA15B□-A4-M12M	15	35	7.5	0.5
SPA15D□-A4-M12M	15	33	5.5	0.5
SPA20A□-A4-M12M	20	37.5	10	12
SPA20B□-A4-M12M	20	37.5	10	0.8

Model/Size	D	H	h	Y
SPA25A□-A6-M14M	25	48	18	1.5
SPA30A□-A6-M14M	30	48	18	1.8
SPA30B□-A6-M14M	30	40	11	1.5
SPA40A□-A6-M14M	40	48	18	2.4
SPA50A□-A6-M14M	50	48	18	3

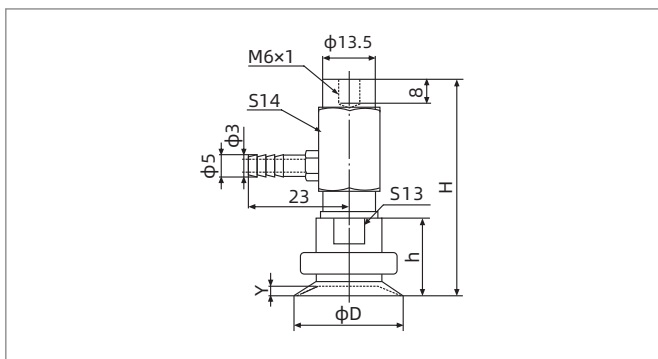
SPA Series

Suction Cup with Locking Fitting

Dimensions(mm)



SPA10-20 Lateral-Pagoda fitting



SPA25-50 Lateral-Pagoda fitting

Model/Size	D	H	h	Y
SPA10A□-LB6-M4F	10	30	7.5	0.6
SPA10B□-LB6-M4F	10	30	7.5	0.3
SPA15A□-LB6-M4F	15	30	7.5	0.9
SPA15B□-LB6-M4F	15	30	7.5	0.5
SPA15D□-LB6-M4F	15	28	5.5	0.5
SPA20A□-LB6-M4F	20	32.5	10	12
SPA20B□-LB6-M4F	20	32.5	10	0.8

Model/Size	D	H	h	Y
SPA25A□-LB6-M6F	25	51.5	18	1.5
SPA30A□-LB6-M6F	30	51.5	18	1.8
SPA30B□-LB6-M6F	30	44.5	11	1.5
SPA40A□-LB6-M6F	40	51.5	18	2.4
SPA50A□-LB6-M6F	50	51.5	18	3

- SZ
- SP3
- SUF
- SAN
- SAO
- SOFA
- STP
- SFT
- SFA
- SBT
- SBL
- SBLP
- SBS
- SFP
- SBP
- SXP
- SGP
- SBOF
- STC
- SFF
- SOB
- SOF
- SOG
- SFM
- SOM
- SBF
- SDM
- SFU
- SFK
- SHT
- SDL
- SFG
- SFGT
- SFD
- SB
- SBA
- SF
- SU
- SP2F
- SPA**
- SPD
- SPF
- SPC
- SPJ
- SPU
- SH
- SHB
- SBB
- SOP
- SNP

SPA Series

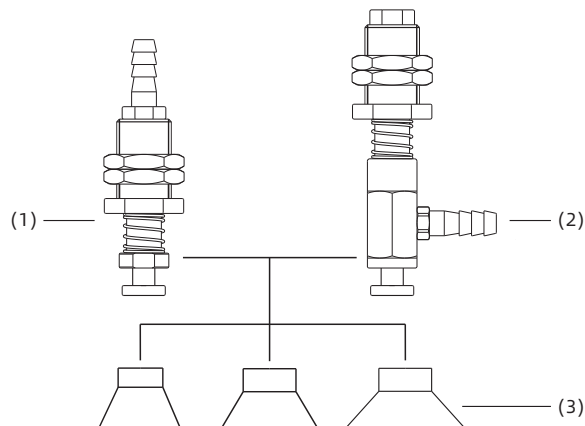
Suction Cup with Level Compensator



Structure

- ◇ Consisting of replacement suction cup(3) and level compensator
- ◇ Plug-in fitting for suction cup
- ◇ Vertical vacuum port(1), male thread for mounting
- ◇ Lateral vacuum port(2), male thread for mounting

In the same series, replacement suction cup and level compensator can be combined as required



How to order

SPA10AN - F E 10 LB6 - M11

①
②
③
④
⑤
⑥

① Model	② Level compensator type	③ Buffer type	④ Buffer stroke	⑤ Vacuum port connection	⑥ Mounting thread
SPA10AN	F - PSPF Series	E - External spring	4 6 10 15	B6 - Vertical, pagoda fitting φ6 hose LB6 - Lateral, pagoda fitting φ6 hose	M11 - M11×1 M14 - M14×1

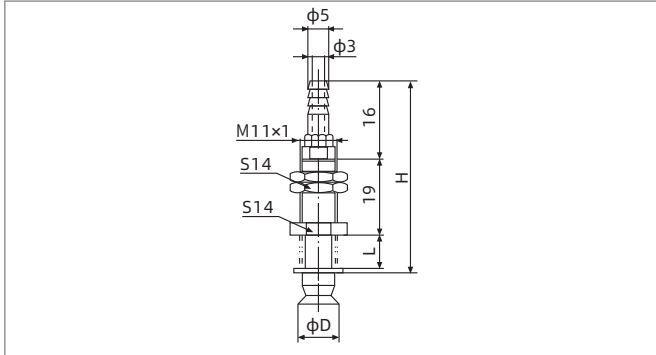
Selection

Model	Vacuum port direction		Lateral - Pagoda fitting	
	Vertical - Pagoda fitting			
SPA10A□	SPA10A□-FE4B6-M11	SPA10A□-FE10B6-M11	SPA10A□-FE4LB6-M11	SPA10A□-FE10LB6-M11
SPA10B□	SPA10B□-FE4B6-M11	SPA10B□-FE10B6-M11	SPA10B□-FE4LB6-M11	SPA10B□-FE10LB6-M11
SPA15A□	SPA15A□-FE4B6-M11	SPA15A□-FE10B6-M11	SPA15A□-FE4LB6-M11	SPA15A□-FE10LB6-M11
SPA15B□	SPA15B□-FE4B6-M11	SPA15B□-FE10B6-M11	SPA15B□-FE4LB6-M11	SPA15B□-FE10LB6-M11
SPA15D□	SPA15D□-FE4B6-M11	SPA15D□-FE10B6-M11	SPA15D□-FE4LB6-M11	SPA15D□-FE10LB6-M11
SPA20A□	SPA20A□-FE4B6-M11	SPA20A□-FE10B6-M11	SPA20A□-FE4LB6-M11	SPA20A□-FE10LB6-M11
SPA20B□	SPA20B□-FE4B6-M11	SPA20B□-FE10B6-M11	SPA20B□-FE4LB6-M11	SPA20B□-FE10LB6-M11
SPA25A□	SPA25A□-FE6B6-M14	SPA25A□-FE15B6-M14	SPA25A□-FE6LB6-M14	SPA25A□-FE15LB6-M14
SPA30A□	SPA30A□-FE6B6-M14	SPA30A□-FE15B6-M14	SPA30A□-FE6LB6-M14	SPA30A□-FE15LB6-M14
SPA30B□	SPA30B□-FE6B6-M14	SPA30B□-FE15B6-M14	SPA30B□-FE6LB6-M14	SPA30B□-FE15LB6-M14
SPA40A□	SPA40A□-FE6B6-M14	SPA40A□-FE15B6-M14	SPA40A□-FE6LB6-M14	SPA40A□-FE15LB6-M14
SPA50A□	SPA50A□-FE6B6-M14	SPA50A□-FE15B6-M14	SPA50A□-FE6LB6-M14	SPA50A□-FE15LB6-M14

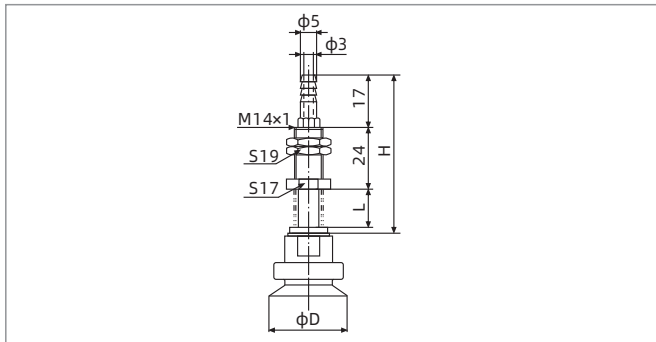
SPA Series

Suction Cup with Level Compensator

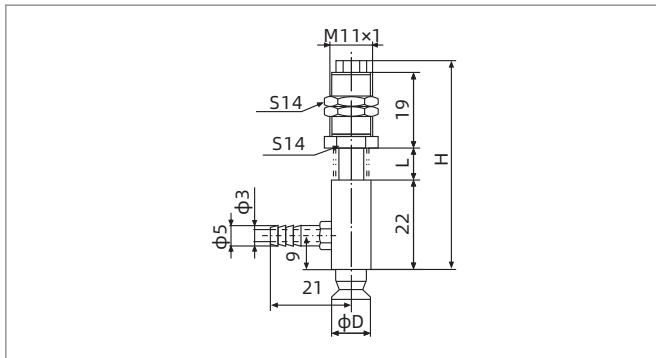
Dimensions(mm)



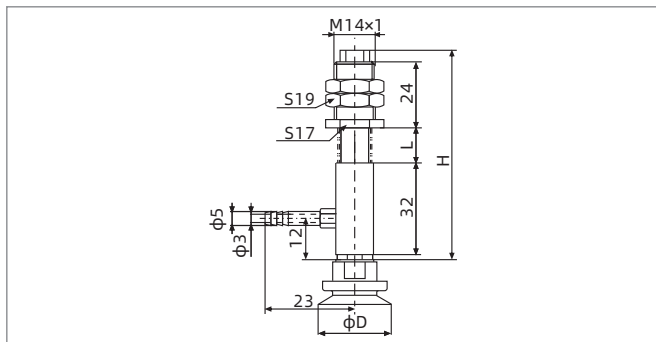
SPA10-20 Vertical-Pagoda fitting



SPA25-50 Vertical-Pagoda fitting



SPA10-20 Lateral-Pagoda fitting



SPA25-50 Lateral-Pagoda fitting

Model/Size	D	H	L	Buffer stroke
SPA10□□-FE4B6-M11	10	46	8	4
SPA10□□-FE10B6-M11	10	58	20	10
SPA15□□-FE4B6-M11	15	46	8	4
SPA15□□-FE10B6-M11	15	58	20	10
SPA20□□-FE4B6-M11	20	46	8	4
SPA20□□-FE10B6-M11	20	58	20	10

Model/Size	D	H	L	Buffer stroke
SPA25□□-FE6B6-M14	25	57	13	6
SPA25□□-FE15B6-M14	25	74	30	15
SPA30□□-FE6B6-M14	30	57	13	6
SPA30□□-FE15B6-M14	30	74	30	15
SPA40□□-FE6B6-M14	40	57	13	6
SPA40□□-FE15B6-M14	40	74	30	15
SPA50□□-FE6B6-M14	50	57	13	6
SPA50□□-FE15B6-M14	50	74	30	15

Model/Size	D	H	L	Buffer stroke
SPA10□□-FE4LB6-M11	10	52	8	4
SPA10□□-FE10LB6-M11	10	64	20	10
SPA15□□-FE4LB6-M11	15	52	8	4
SPA15□□-FE10LB6-M11	15	64	20	10
SPA20□□-FE4LB6-M11	20	52	8	4
SPA20□□-FE10LB6-M11	20	64	20	10

Model/Size	D	H	L	Buffer stroke
SPA25□□-FE6LB6-M14	25	73	13	6
SPA25□□-FE15LB6-M14	25	90	30	15
SPA30□□-FE6LB6-M14	30	73	13	6
SPA30□□-FE15LB6-M14	30	90	30	15
SPA40□□-FE6LB6-M14	40	73	13	6
SPA40□□-FE15LB6-M14	40	90	30	15
SPA50□□-FE6LB6-M14	50	73	13	6
SPA50□□-FE15LB6-M14	50	90	30	15

- SZ
- SP3
- SUF
- SAN
- SAO
- SOFA
- STP
- SFT
- SFA
- SBT
- SBL
- SBLP
- SBS
- SFP
- SBP
- SNP
- SGP
- SBOF
- STC
- SFF
- SOB
- SOE
- SOG
- SFM
- SOM
- SBF
- SDM
- SFU
- SFK
- SHT
- SDL
- SFG
- SFGT
- SFD
- SB
- SBA
- SF
- SU
- SP2F
- SPA
- SPD
- SPF
- SPC
- SPJ
- SPU
- SH
- SHB
- SBB
- SOP
- SNP

SPD Series

Thin Lip Flat Suction Cup

AIRBEST



PAPER

RoHS

Features

- ◇ Thin lip

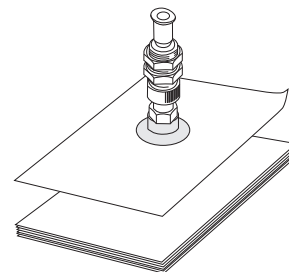
Advantages

- ◇ Fits thin film workpieces closely



Applications

- ◇ Most suitable for the handling of copy paper, PVC and other film materials



How to order

SPD 15 N - M5M

① ② ③ ④

① Series	② Diameter	③ Material & Hardness	④ Connection thread
SPD	10 - ϕ 10mm 15 - ϕ 15mm	N - NBR 50 WS - White silicone 50	Nil - Suction cup only M5M - M5x0.8 male thread

Selection

Model	M5M
SPD10	SPD10□-M5M
SPD15	SPD15□-M5M

Technical parameters

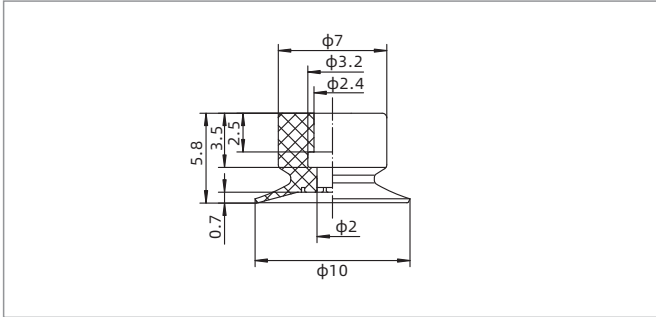
Model	Pull-out force (N)	Inner volume cm^3	Weight g	Recommended hose Dia. mm	MPQ pcs
SPD10	3.5	< 0.1	0.2	4	10
SPD15	7.5	< 0.1	0.3	4	10

- ◇ Note: Testing vacuum level -60kPa, workpiece with smooth and clean surface. The data of pull-out force as above are figured out without considering safety factor. The data may be different according to different working condition

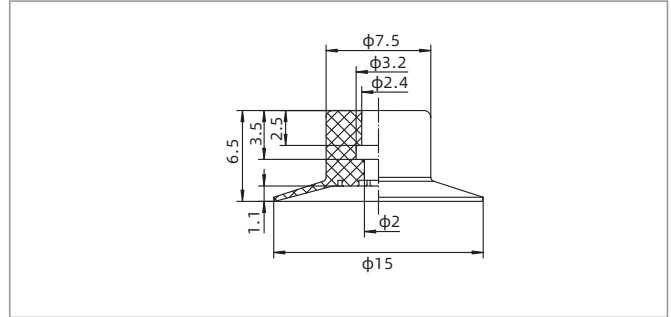
SPD Series

Thin Lip Flat Suction Cup

Dimensions (mm) - Suction cup only

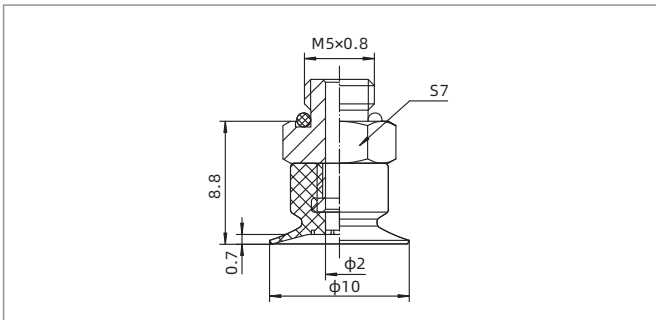


SPD10

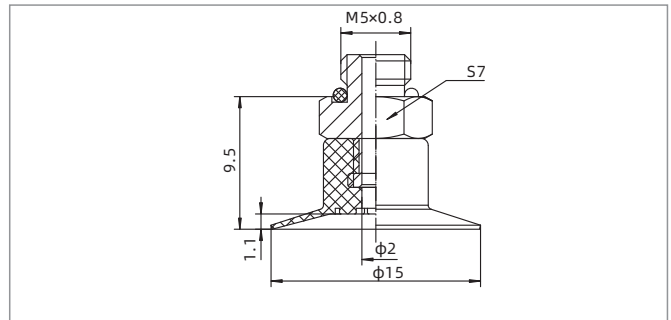


SPD15

Dimensions (mm) - Male thread fitting



SPD10-M5M



SPD15-M5M

◇ Note: The dimensional tolerance conforms to GBT3672.1-2002-1 M3 rubber product dimensional tolerance standard

- SZ
- SP3
- SUF
- SAN
- SAO
- SOFA
- STP
- SFT
- SFA
- SBT
- SBL
- SBLP
- SBS
- SFP
- SBP
- SXP
- SGP
- SBOF
- STC
- SFF
- SOB
- SOF
- SOG
- SFM
- SOM
- SBF
- SDM
- SFU
- SFK
- SHT
- SDL
- SFG
- SFGT
- SFD
- SB
- SBA
- SF
- SU
- SP2F
- SPA
- SPD**
- SPF
- SPC
- SPJ
- SPU
- SH
- SHB
- SBB
- SOP
- SNP

SPF Series

Flat Suction Cup

AIRBEST



UNIVERSAL

RoHS

Features

- ◇ With support structure at the bottom
- ◇ Optimal design
- ◇ Small inner volume
- ◇ Available in various sizes

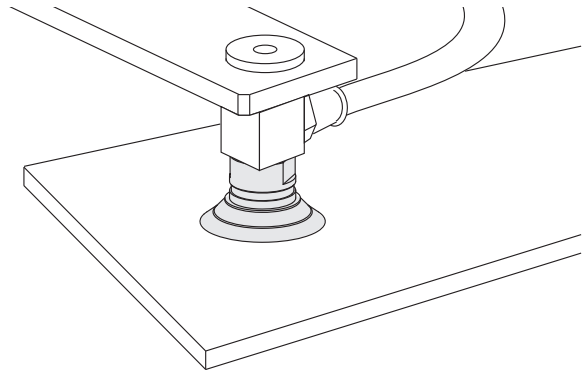
Advantages

- ◇ Be able to prevent permanent deformation of workpieces
- ◇ Small size, large suction force
- ◇ Short working cycle
- ◇ Suitable for workpieces of various sizes and shapes



Applications

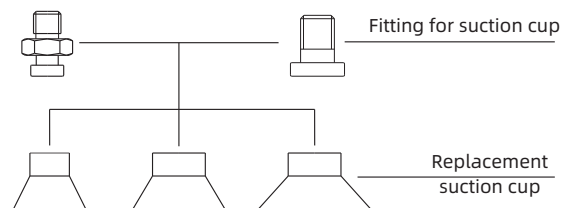
- ◇ Handling of flat workpieces with smooth or slightly rough surface such as wood, metal plate, plywood and plastic plate
- ◇ Suitable for handling electronic components, conductive material can effectively prevent electrostatic damage to electronic components



Structure

- ◇ Suction cups with diameter less than 50mm adopt split structure for easy replacement of wearing parts
- ◇ One-piece structure for suction cup with diameter 60mm-200mm

In the same series, replacement suction cup and fitting can be combined as required



SPF Series

Flat Suction Cup

How to order

SPF 15 N - M5M

① ② ③ ④

① Series	② Diameter	③ Material & Hardness	④ Connection thread	
SPF	2 - ϕ 2mm	35 - ϕ 35mm	N - NBR 55	Nil - Suction cup only
	3.5 - ϕ 3.5mm	40 - ϕ 40mm	WS - White silicone 50	M3M - M3×0.5 male thread
	5 - ϕ 5mm	50 - ϕ 50mm	CN - Conductive NBR 55	M5M - M5×0.8 male thread
	6 - ϕ 6mm	60 - ϕ 60mm	CS - Conductive silicone 55	M8M - M8×1.25 male thread
	8 - ϕ 8mm	80 - ϕ 80mm		M10F - M10×1.25 female thread
	10 - ϕ 10mm	95 - ϕ 95mm		
	15 - ϕ 15mm	120 - ϕ 120mm		
	20 - ϕ 20mm	150 - ϕ 150mm		
	25 - ϕ 25mm	200 - ϕ 200mm		
	30 - ϕ 30mm			

Selection

Model	Connection thread M - Male thread
SPF2□	SPF2□-M3M
SPF3.5□	SPF3.5□-M3M
SPF5□	SPF5□-M5M
SPF6□	SPF6□-M5M
SPF8□	SPF8□-M5M
SPF10□	SPF10□-M5M
SPF15□	SPF15□-M5M
SPF20□	SPF20□-M5M

Model	Connection thread M - Male thread
SPF25□	SPF25□-M5M
SPF30□	SPF30□-M5M
SPF35□	SPF35□-M5M
SPF40□	SPF40□-M5M
SPF50□	SPF50□-M8M
SPF60□-M10F	-
SPF80□-M10F	-
SPF95□-M10F	-

Technical parameters

Model	Pull-out force N	Inner volume cm ³	Weight g	Recommended hose dia. mm	MPQ pcs
SPF2	0.15	<0.1	0.1	4	10
SPF3.5	0.4	<0.1	0.1	4	10
SPF5	0.9	<0.1	0.2	4	10
SPF6	1.2	<0.1	0.2	4	10
SPF8	2.2	<0.1	0.2	4	10
SPF10	3.5	<0.1	0.3	4	10
SPF15	8	0.2	0.4	6	10
SPF20	15	0.5	1.6	6	5
SPF25	24	1.1	2.5	6	5
SPF30	32	1	3.3	6	5

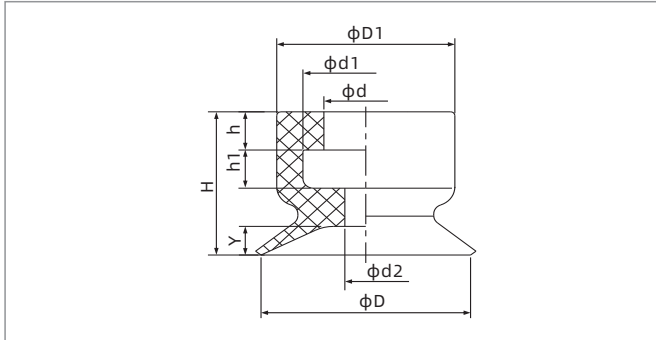
Model	Pull-out force N	Inner volume cm ³	Weight g	Recommended hose dia. mm	MPQ pcs
SPF35	43	2.4	6.6	6	5
SPF40	60	3.4	8.4	6	5
SPF50	92	5.7	10.4	8	1
SPF60	127	11	23.2	8	1
SPF80	226	25.3	48.2	8	1
SPF95	319	38	70.3	10	1
SPF120	510	81	159.5	10	1
SPF150	800	171	322.4	12	1
SPF200	1,410	364	521.5	12	1

- SZ
- SP3
- SUF
- SAN
- SAO
- SOFA
- STP
- SFT
- SFA
- SBT
- SBL
- SBLP
- SBS
- SFP
- SBP
- SXP
- SGP
- SBOF
- STC
- SFF
- SOB
- SOF
- SOG
- SFM
- SOM
- SBF
- SDM
- SFU
- SFK
- SHT
- SDL
- SFG
- SFGT
- SFD
- SB
- SBA
- SF
- SU
- SP2F
- SPA
- SPD
- SPF**
- SPC
- SPJ
- SPU
- SH
- SHB
- SBB
- SOP
- SNP

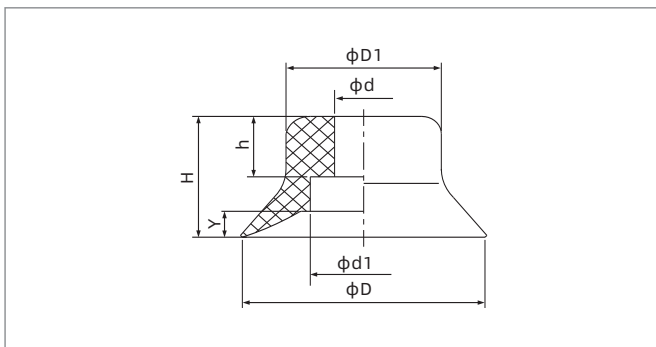
SPF Series

Flat Suction Cup

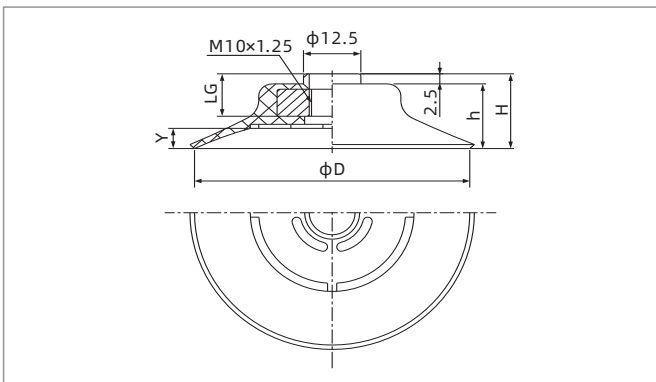
Dimensions(mm) - Suction cup only



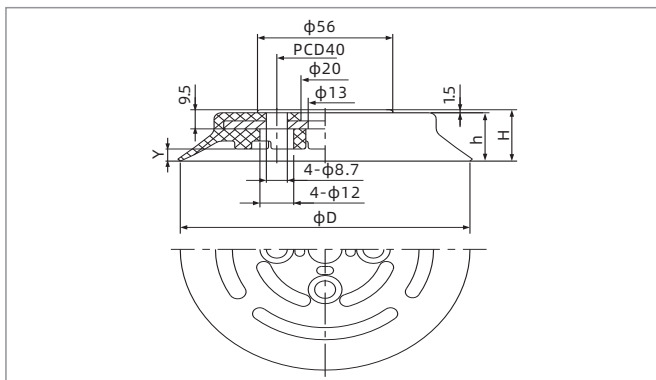
SPF2-15



SPF20-50



SPF60-95



SPF120-200

Model/Size	D	H	D1	d	h	d1	h1	d2	Y
SPF2□	2	4	4	2	1.5	3	1	1.2	0.5
SPF3.5□	3.5	4	4	2	1.5	3	1	1.2	0.5
SPF5□	5	6.5	7.5	4	2	6	2	1.4	0.8
SPF6□	6	6.5	7.5	4	2	6	2	2	0.8
SPF8□	8	7	8	4	2	6	2	2	1.2
SPF10□	10	7.5	8.5	4	2	6	2	2	1.5
SPF15□	15	8	9	4	2	6	2	2	1.9

Model/Size	D	H	D1	d	h	d1	Y
SPF20□	20	10	15	6	4.5	10.8	2.3
SPF25□	25	14	16	6	7	11	3
SPF30□	29	12	14	6	7	11	2
SPF35□	35	14	21	6	7	11	3
SPF40□	40	14	24	6	7	11	3.5
SPF50□	50	15	27	8	7	20	4

Model/Size	D	H	h	LG	Y
SPF60□-M10F	60	18.5	16	10.5	5
SPF80□-M10F	80	20.5	18	11.5	6
SPF95□-M10F	95	21	18.5	11	6

Model/size	D	H	h	Y
SPF120□	120	25.5	24	6
SPF150□	150	32.5	31	9
SPF200□	200	37.5	36	13

◇ Note: The dimensional tolerance conforms to GBT 3672.1-2002-1 M3 rubber product dimensional tolerance standard

SPF Series

Flat Suction Cup

Mounting parts

Item	Model M - Male thread	Applicable suction cup
Fitting for suction cup	PJS-M3M-ST1	SPF2, 3.5
	PJS-M5M-ST2	SPF5, 6, 8, 10, 15
	PJS-M5M-ST3	SPF20
	PJS-M5M-ST4	SPF25, 30, 35, 40
	PJS-M8M-ST6	SPF50

- SZ
- SP3
- SUF
- SAN
- SAO
- SOFA
- STP
- SFT
- SFA
- SBT
- SBL
- SBLP
- SBS
- SFP
- SBP
- SXP
- SGP
- SBOF
- STC
- SFF
- SOB
- SOF
- SOG
- SFM
- SOM
- SBF
- SDM
- SFU
- SFK
- SHT
- SDL
- SFG
- SFGT
- SFD
- SB
- SBA
- SF
- SU
- SP2F
- SPA
- SPD
- SPF**
- SPC
- SPJ
- SPU
- SH
- SHB
- SBB
- SOP
- SNP

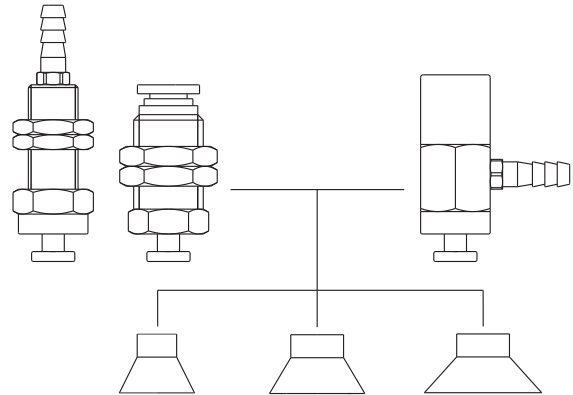
SPF Series

Suction Cup with Locking Fitting

Structure

- ◇ Consisting of replacement suction cup and locking fitting
- ◇ Plug-in fitting for suction cup
- ◇ Vertical vacuum port, Pagoda fitting or one-touch fitting for connection, male thread for mounting
- ◇ Lateral vacuum port, Pagoda fitting for connection, female thread for mounting

In the same series, replacement suction cup and locking fitting can be combined as required



How to order

SPF10N - L B6 - M4F

① ② ③ ④

① Model	② Vacuum port direction	③ Vacuum port connection	④ Mounting thread
SPF10N	Nil - Vertical direction	A4 - One-touch fitting ϕ 4 hose	M3F - M3x0.5 female thread M5M - M5x0.5 male thread
	L - Lateral direction	A6 - One-touch fitting ϕ 6 hose	M4F - M4x0.7 female thread M8M - M8x1 male thread
		B4 - Pagoda fitting ϕ 4 hose	M6F - M6x1 female thread M10M - M10x1 male thread
		B6 - Pagoda fitting ϕ 6 hose	M8F - M8x1.25 female thread M12M - M12x1 male thread
		R1 - Rc1/8 female thread	M16F - M16x2 female thread M14M - M14x1 male thread
			M16M - M16x1.5 male thread

◇ Please refer to page 305 for suction cup selection

Selection

Model	Vacuum port direction Vertical-Pagoda fitting	Vertical-One-touch fitting	Lateral-Pagoda fitting
SPF2□	SPF2□-B4-M5M	-	SPF2□-LB4-M3F
SPF3.5□	SPF3.5□-B4-M5M	-	SPF3.5□-LB4-M3F
SPF5□	SPF5□-B6-M8M	SPF5□-A4-M12M	SPF5□-LB6-M4F
SPF6□	SPF6□-B6-M8M	SPF6□-A4-M12M	SPF6□-LB6-M4F
SPF8□	SPF8□-B6-M8M	SPF8□-A4-M12M	SPF8□-LB6-M4F
SPF10□	SPF10□-B6-M8M	SPF10□-A4-M12M	SPF10□-LB6-M4F
SPF15□	SPF15□-B6-M8M	SPF15□-A4-M12M	SPF15□-LB6-M4F
SPF20□	SPF20□-B6-M10M	SPF20□-A6-M14M	SPF20□-LB6-M4F
SPF25□	SPF25□-B6-M10M	SPF25□-A6-M14M	SPF25□-LB6-M6F
SPF30□	SPF30□-B6-M10M	SPF30□-A6-M14M	SPF30□-LB6-M6F
SPF35□	SPF35□-B6-M10M	SPF35□-A6-M14M	SPF35□-LB6-M6F
SPF40□	SPF40□-B6-M10M	SPF40□-A6-M14M	SPF40□-LB6-M6F
SPF50□	SPF50□-B6-M10M	SPF50□-A6-M14M	SPF50□-LB6-M6F

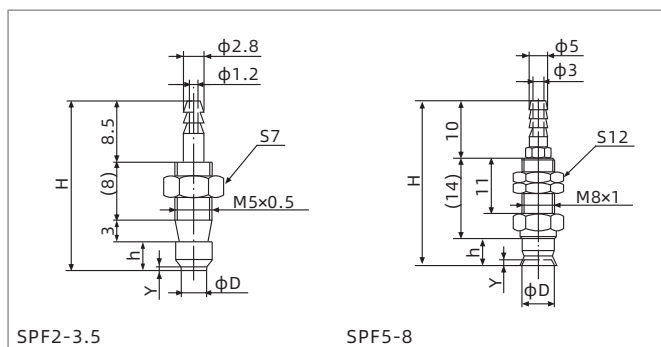
SPF Series

Suction Cup with Locking Fitting

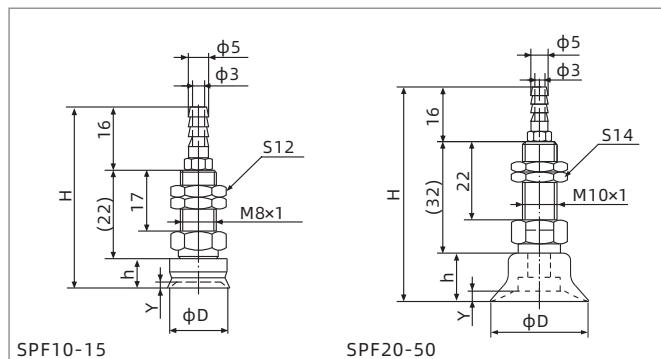
Selection

Model	Vacuum port direction Vertical-Pagoda fitting	Lateral-Pagoda fitting
SPF60□	SPF60□-R1-M16M	SPF60□-LR1-M8F
SPF80□	SPF80□-R1-M16M	SPF80□-LR1-M8F
SPF95□	SPF95□-R1-M16M	SPF95□-LR1-M8F
SPF120□	-	SPF120□-LR1-M16F
SPF150□	-	SPF150□-LR1-M16F
SPF200□	-	SPF200□-LR1-M16F

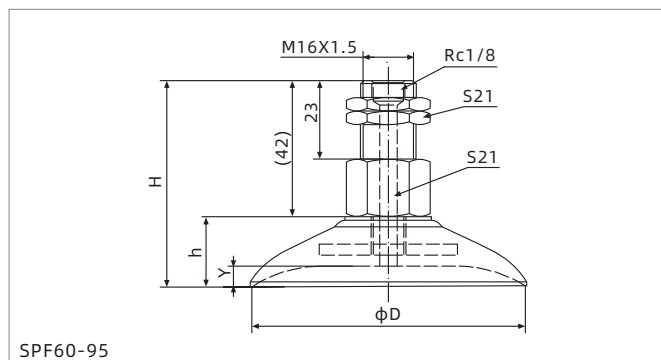
Dimensions(mm)



Vertical-Pagoda fitting



Vertical-Pagoda fitting



Vertical-Female thread connection

Model/Size	D	H	h	Y
SPF2□-B4-M5M	2	23.5	4	0.5
SPF3.5□-B4-M5M	3.5	23.5	4	0.5
SPF5□-B6-M8M	5	30.5	6.5	0.8
SPF6□-B6-M8M	6	30.5	6.5	0.8
SPF8□-B6-M8M	8	31	7	1.2

Model/Size	D	H	h	Y
SPF10□-B6-M8M	10	45.5	7.5	1.5
SPF15□-B6-M8M	15	46	8	1.9
SPF20□-B6-M10M	20	58	10	2.3
SPF25□-B6-M10M	25	62	14	3
SPF30□-B6-M10M	30	60	12	2
SPF35□-B6-M10M	35	62	14	3
SPF40□-B6-M10M	40	62	14	3.5
SPF50□-B6-M10M	50	63	15	4

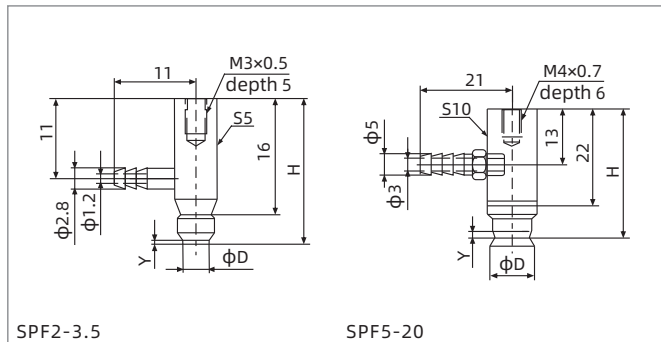
Model/Size	D	H	h	Y
SPF60□-R1-M16M	60	58	16	5
SPF80□-R1-M16M	80	60	18	6
SPF95□-R1-M16M	95	60.5	18.5	6

- SZ
- SP3
- SUF
- SAN
- SAO
- SOFA
- STP
- SFT
- SFA
- SBT
- SBL
- SBLP
- SBS
- SFP
- SBP
- SXP
- SGP
- SBOF
- STC
- SFF
- SOB
- SOF
- SOG
- SFM
- SOM
- SBF
- SDM
- SFU
- SFK
- SHT
- SDL
- SFG
- SFGT
- SFD
- SB
- SBA
- SF
- SU
- SP2F
- SPA
- SPD
- SPF**
- SPC
- SPJ
- SPU
- SH
- SHB
- SBB
- SOP
- SNP

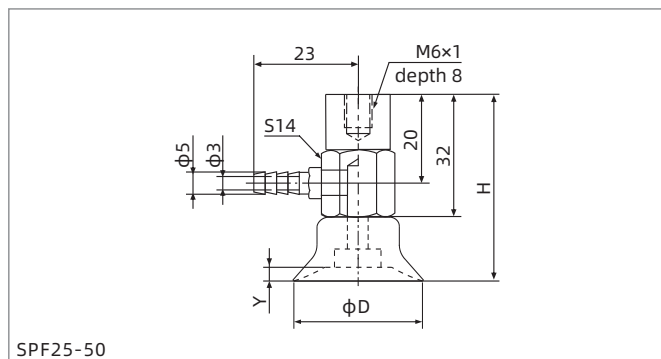
SPF Series

Suction Cup with Locking Fitting

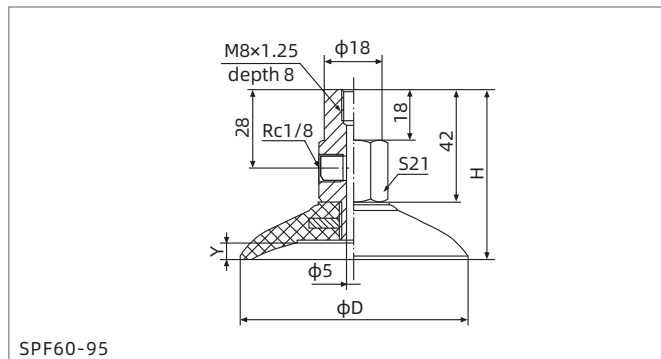
Dimensions(mm)



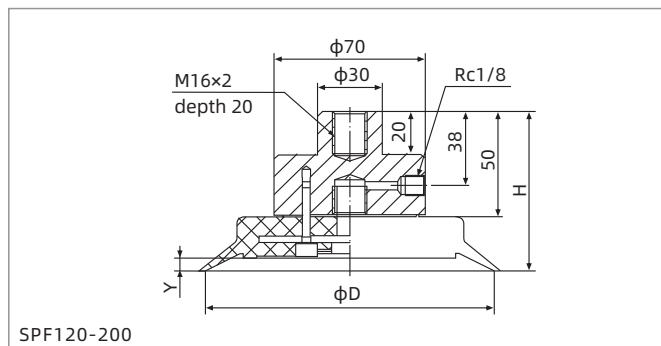
Lateral-Pagoda fitting



Lateral-Pagoda fitting



Lateral-Female thread connection



Lateral-Female thread connection

Model/Size	D	H	Y
SPF2□-LB4-M3F	2	20	0.5
SPF3.5□-LB4-M3F	3.5	20	0.5
SPF5□-LB6-M4F	5	28.5	0.8
SPF6□-LB6-M4F	6	28.5	0.8
SPF8□-LB6-M4F	8	29	1.2
SPF10□-LB6-M4F	10	29.5	1.5
SPF15□-LB6-M4F	15	30	1.9
SPF20□-LB6-M4F	20	32	2.3

Model/Size	D	H	Y
SPF25□-LB6-M6F	25	46	3
SPF30□-LB6-M6F	30	44	2
SPF35□-LB6-M6F	35	46	3
SPF40□-LB6-M6F	40	46	3.5
SPF50□-LB6-M6F	50	47	4

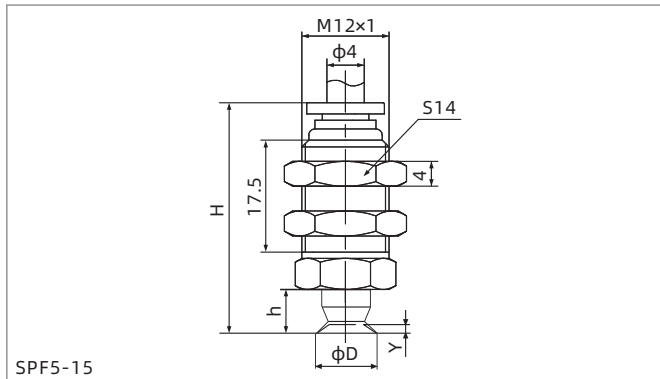
Model/Size	D	H	Y
SPF60□-LR1-M8F	60	58	5
SPF80□-LR1-M8F	80	58.5	6
SPF95□-LR1-M8F	95	59	6

Model/Size	D	H	Y
SPF120□-LR1-M16F	120	75.5	6
SPF150□-LR1-M16F	150	82.5	9
SPF200□-LR1-M16F	200	87.5	13

SPF Series

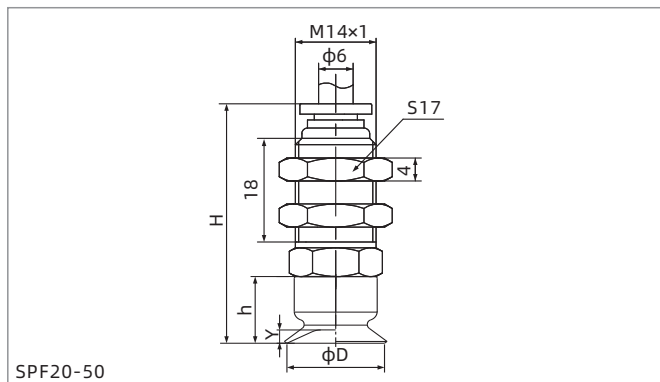
Suction Cup with Locking Fitting

Dimensions(mm)



SPF5-15

Vertical-One-touch fitting



SPF20-50

Vertical-One-touch fitting

Model/Size	D	H	Y
SPF5□-A4-M12M	5	34	0.8
SPF6□-A4-M12M	6	34	0.8
SPF8□-A4-M12M	8	34.5	1.2
SPF10□-A4-M12M	10	35	1.5
SPF15□-A4-M12M	15	35.5	1.9

Model/Size	D	H	Y
SPF20□-A6-M14M	20	40	2.3
SPF25□-A6-M14M	25	44	3
SPF30□-A6-M14M	30	42	2
SPF35□-A6-M14M	35	44	3
SPF40□-A6-M14M	40	44	3.5
SPF50□-A6-M14M	50	45	4

- SZ
- SP3
- SUF
- SAN
- SAO
- SOFA
- STP
- SFT
- SFA
- SBT
- SBL
- SBLP
- SBS
- SFP
- SBP
- SXP
- SGP
- SBOF
- STC
- SFF
- SOB
- SOF
- SOG
- SFM
- SOM
- SBF
- SDM
- SFU
- SFK
- SHT
- SDL
- SFG
- SFGT
- SFD
- SB
- SBA
- SF
- SU
- SP2F
- SPA
- SPD
- SPF**
- SPC
- SPJ
- SPU
- SH
- SHB
- SBB
- SOP
- SNP

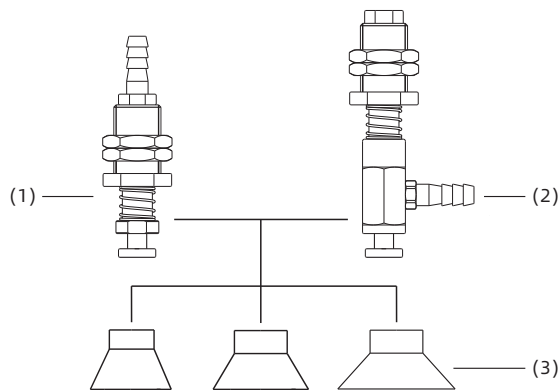
SPF Series

Suction Cup with Level Compensator

Structure

- ◇ Consisting of replacement suction cup(3) and level compensator
- ◇ Plug-in fitting for suction cup
- ◇ Vertical vacuum port(1), male thread for mounting
- ◇ Lateral vacuum port(2), male thread for mounting

In the same series, replacement suction cup and level compensator can be combined as required



How to order

SPF10N - F E 10 LB6 - M11

① ② ③ ④ ⑤ ⑥

① Model	② Level compensator type	③ Buffer type	④ Buffer stroke	⑤ Vacuum port connection	⑥ Mounting thread
SPF10N	F - PSPF Series	E - External spring	2 5	B4 - Vertical, Pagoda fitting ϕ 4 hose	M5 - M5x0.5
			3 10	B6 - Vertical, Pagoda fitting ϕ 6 hose	M9 - M9x1
			4 15	LB4 - Lateral, Pagoda fitting ϕ 4 hose	M11 - M11x1
			6 30	LB6 - Lateral, Pagoda fitting ϕ 6 hose	M14 - M14x1
				LR1 - Lateral, Rc1/8 female thread	M16 - M16x1.5

Selection

Model	Vacuum port direction Vertical-Pagoda fitting		Lateral-Pagoda fitting	
SPF2□	SPF2□-FE2B4-M5	SPF2□-FE5B4-M5	SPF2□-FE2LB4-M5	SPF2□-FE5B4-M5
SPF3.5□	SPF3.5□-FE2B4-M5	SPF3.5□-FE5B4-M5	SPF3.5□-FE2LB4-M5	SPF3.5□-FE5LB4-M5
SPF5□	SPF5□-FE3B6-M9	SPF5□-FE10B6-M9	SPF5□-FE3LB6-M9	SPF5□-FE10LB6-M9
SPF6□	SPF6□-FE3B6-M9	SPF6□-FE10B6-M9	SPF6□-FE3LB6-M9	SPF6□-FE10LB6-M9
SPF8□	SPF8□-FE3B6-M9	SPF8□-FE10B6-M9	SPF8□-FE3LB6-M9	SPF8□-FE10LB6-M9
SPF10□	SPF10□-FE4B6-M11	SPF10□-FE10B6-M11	SPF10□-FE4LB6-M11	SPF10□-FE10LB6-M11
SPF15□	SPF15□-FE4B6-M11	SPF15□-FE10B6-M11	SPF15□-FE4LB6-M11	SPF15□-FE10LB6-M11
SPF20□	SPF20□-FE4B6-M11	SPF20□-FE10B6-M11	SPF20□-FE4LB6-M11	SPF20□-FE10LB6-M11
SPF25□	SPF25□-FE6B6-M14	SPF25□-FE15B6-M14	SPF25□-FE6LB6-M14	SPF25□-FE15LB6-M14
SPF30□	SPF30□-FE6B6-M14	SPF30□-FE15B6-M14	SPF30□-FE6LB6-M14	SPF30□-FE15LB6-M14
SPF35□	SPF35□-FE6B6-M14	SPF35□-FE15B6-M14	SPF35□-FE6LB6-M14	SPF35□-FE15LB6-M14
SPF40□	SPF40□-FE6B6-M14	SPF40□-FE15B6-M14	SPF40□-FE6LB6-M14	SPF40□-FE15LB6-M14
SPF50□	SPF50□-FE6B6-M14	SPF50□-FE15B6-M14	SPF50□-FE6LB6-M14	SPF50□-FE15LB6-M14

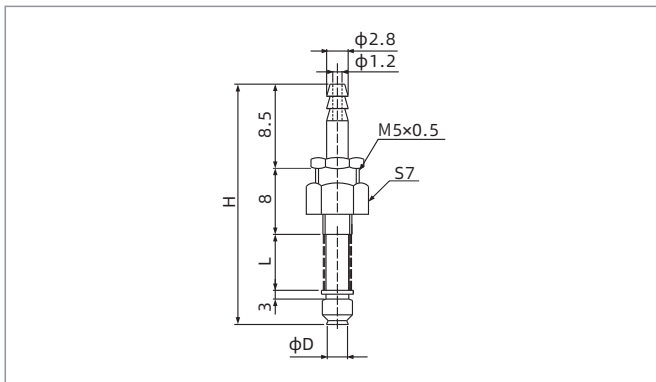
SPF Series

Suction Cup with Level Compensator

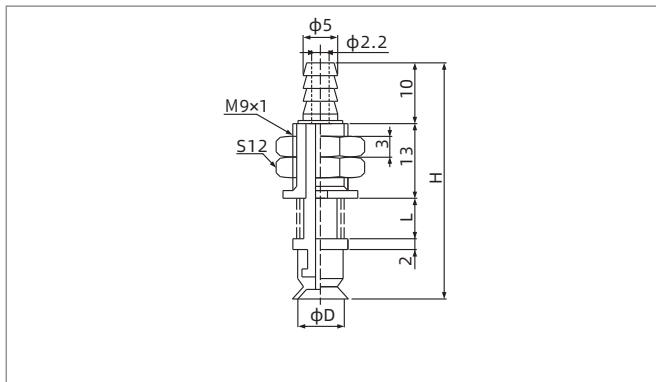
Selection

Model	Vacuum port direction Vertical-Pagoda fitting	Lateral-Pagoda fitting	
		SPF60□-FE10LR1-M16	SPF60□-FE30LR1-M16
SPF60□	-	SPF60□-FE10LR1-M16	SPF60□-FE30LR1-M16
SPF80□	-	SPF80□-FE10LR1-M16	SPF80□-FE30LR1-M16
SPF95□	-	SPF95□-FE10LR1-M16	SPF95□-FE30LR1-M16

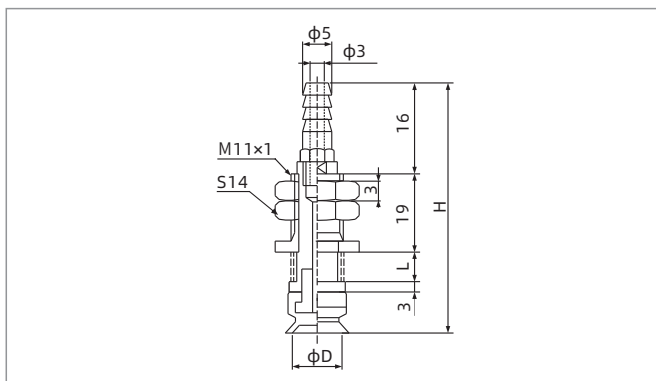
Dimensions(mm)



SPF2-3.5 Vertical-Pagoda fitting



SPF5-8 Vertical-Pagoda fitting



SPF10-20 Vertical-Pagoda fitting

Model/Size	D	H	L	Buffer stroke
SPF2□-FE2B4-M5	2	28.5	5	2.5
SPF2□-FE5B4-M5	2	33.5	10	5
SPF3.5□-FE2B4-M5	3.5	28.5	5	2.5
SPF3.5□-FE5B4-M5	3.5	33.5	10	5

Model/Size	D	H	L	Buffer stroke
SPF5□-FE3B6-M9	5	37.5	6	3
SPF5□-FE10B6-M9	5	51.5	20	10
SPF6□-FE3B6-M9	6	37.5	6	3
SPF6□-FE10B6-M9	6	51.5	20	10
SPF8□-FE3B6-M9	8	38	6	3
SPF8□-FE10B6-M9	8	52	20	10

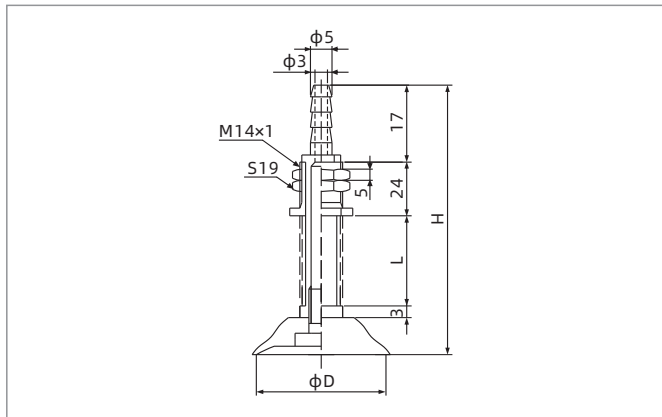
Model/Size	D	H	L	Buffer stroke
SPF10□-FE4B6-M11	10	53.5	8	4
SPF10□-FE10B6-M11	10	65.5	20	10
SPF15□-FE4B6-M11	15	54	8	4
SPF15□-FE10B6-M11	15	66	20	10
SPF20□-FE4B6-M11	20	56	8	4
SPF20□-FE10B6-M11	20	68	20	10

- SZ
- SP3
- SUF
- SAN
- SAO
- SOFA
- STP
- SFT
- SFA
- SBT
- SBL
- SBLP
- SBS
- SFP
- SBP
- SXP
- SGP
- SBOF
- STC
- SFF
- SOB
- SOF
- SOG
- SFM
- SOM
- SBF
- SDM
- SFU
- SFK
- SHT
- SDL
- SFG
- SFGT
- SFD
- SB
- SBA
- SF
- SU
- SP2F
- SPA
- SPD
- SPF**
- SPC
- SPJ
- SPU
- SH
- SHB
- SBB
- SOP
- SNP

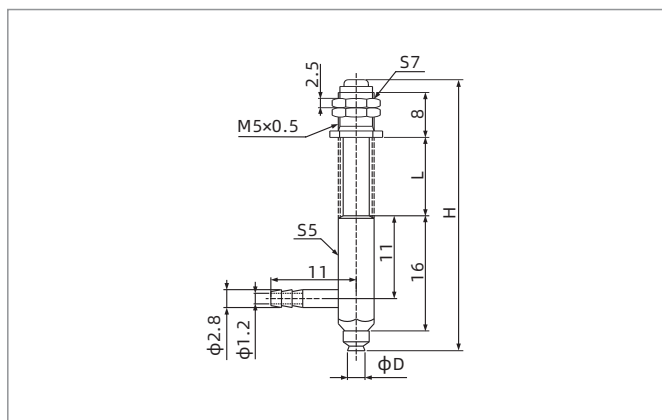
SPF Series

Suction Cup with Level Compensator

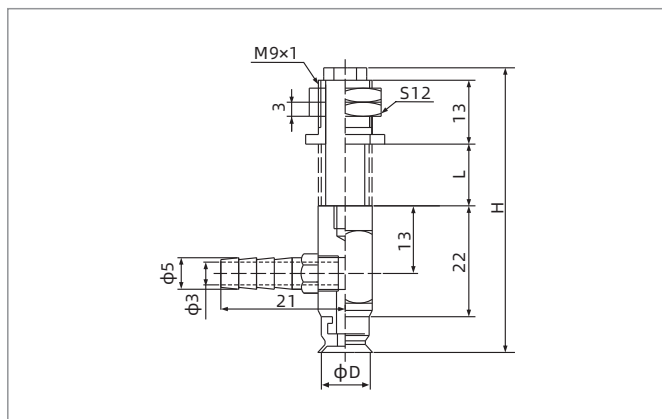
Dimensions(mm)



SPF25-50 Vertical-Pagoda fitting



SPF2-3.5 Lateral-Pagoda fitting



SPF5-8 Lateral-Pagoda fitting

Model/Size	D	H	L	Buffer stroke
SPF25□-FE6B6-M14	25	71	13	6
SPF25□-FE15B6-M14	25	88	30	15
SPF30□-FE6B6-M14	30	69	13	6
SPF30□-FE15B6-M14	30	86	30	15
SPF35□-FE6B6-M14	35	71	13	6
SPF35□-FE15B6-M14	35	88	30	15
SPF40□-FE6B6-M14	40	71	13	6
SPF40□-FE15B6-M14	40	88	30	15
SPF50□-FE6B6-M14	50	72	13	6
SPF50□-FE15B6-M14	50	89	30	15

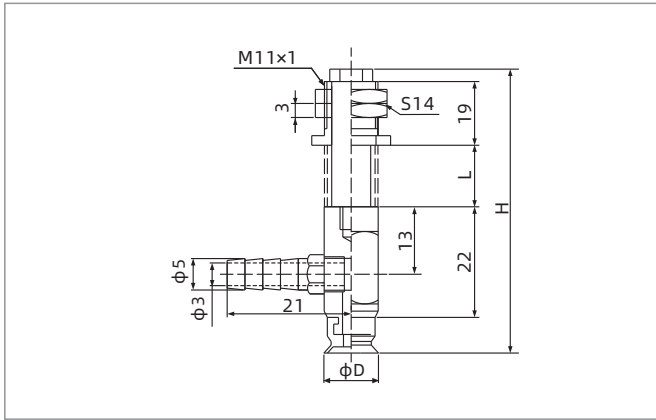
Model/Size	D	H	L	Buffer stroke
SPF2□-FE2LB4-M5	2	35.5	5	2.5
SPF2□-FE5LB4-M5	2	40.5	10	5
SPF3.5□-FE2LB4-M5	3.5	35.5	5	2.5
SPF3.5□-FE5LB4-M5	3.5	40.5	10	5

Model/Size	D	H	L	Buffer stroke
SPF5□-FE3LB6-M9	5	50.5	6	3
SPF5□-FE10LB6-M9	5	64.5	20	10
SPF6□-FE3LB6-M9	6	50.5	6	3
SPF6□-FE10LB6-M9	6	64.5	20	10
SPF8□-FE3LB6-M9	8	51	6	3
SPF8□-FE10LB6-M9	8	65	20	10

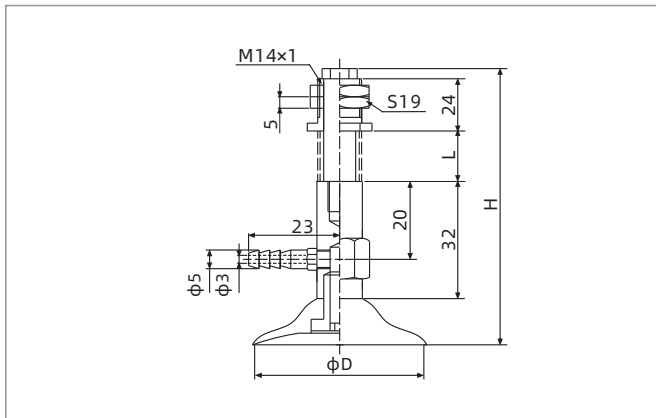
SPF Series

Suction Cup with Level Compensator

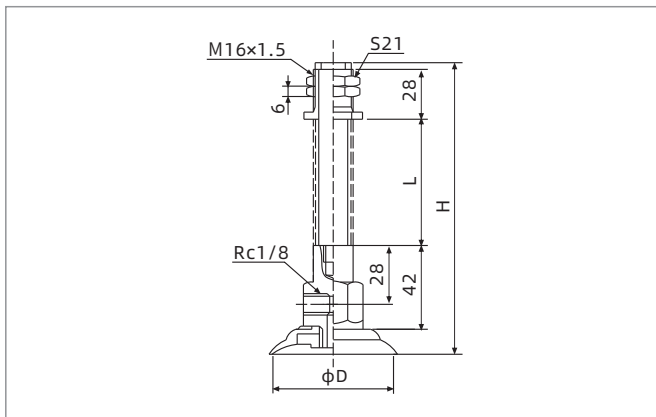
Dimensions(mm)



SPF10-20 Lateral-Pagoda fitting



SPF25-50 Lateral-Pagoda fitting



SPF60-95 Lateral-Female thread connection

Model/Size	D	H	L	Buffer stroke
SPF10□-FE4LB6-M11	10	59.5	8	4
SPF10□-FE10LB6-M11	10	71.5	20	10
SPF15□-FE4LB6-M11	15	60	8	4
SPF15□-FE10LB6-M11	15	72	20	10
SPF20□-FE4LB6-M11	20	62	8	4
SPF20□-FE10LB6-M11	20	74	20	10

Model/Size	D	H	L	Buffer stroke
SPF25□-FE6LB6-M14	25	87	13	6
SPF25□-FE15LB6-M14	25	104	30	15
SPF30□-FE6LB6-M14	30	85	13	6
SPF30□-FE15LB6-M14	30	102	30	15
SPF35□-FE6LB6-M14	35	87	13	6
SPF35□-FE15LB6-M14	35	104	30	15
SPF40□-FE6LB6-M14	40	87	13	6
SPF40□-FE15LB6-M14	40	104	30	15
SPF50□-FE6LB6-M14	50	88	13	6
SPF50□-FE15LB6-M14	50	105	30	15

Model/Size	D	H	L	Buffer stroke
SPF60□-FE10LR1-M16	60	110	20	10
SPF60□-FE30LR1-M16	60	150	60	30
SPF80□-FE10LR1-M16	80	112	20	10
SPF80□-FE30LR1-M16	80	152	60	30
SPF95□-FE10LR1-M16	95	112.5	20	10
SPF95□-FE30LR1-M16	95	152.5	60	30

- SZ
- SP3
- SUF
- SAN
- SAO
- SOFA
- STP
- SFT
- SFA
- SBT
- SBL
- SBLP
- SBS
- SFP
- SBP
- SXP
- SGP
- SBOF
- STC
- SFF
- SOB
- SOE
- SOG
- SFM
- SOM
- SBF
- SDM
- SFU
- SBK
- SHT
- SDL
- SFG
- SFGT
- SFD
- SB
- SBA
- SF
- SU
- SP2F
- SPA
- SPD
- SPF**
- SPC
- SPJ
- SPU
- SH
- SHB
- SBB
- SOP
- SNP

SPC Series

Bellows Suction Cup



Features

- ◇ 2.5 bellows
- ◇ Soft and tapered lips
- ◇ Available in various sizes

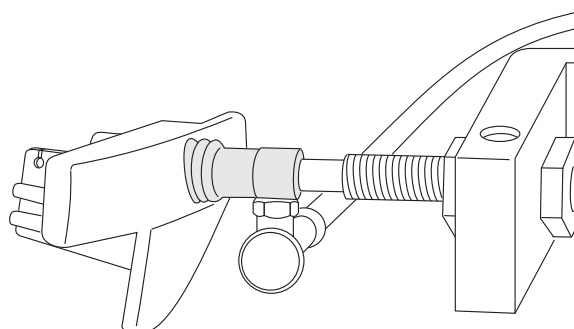
Advantages

- ◇ Large suction force, and have good buffer effect when suck workpiece with uneven surface
- ◇ Good sealing and long compressed stroke, suitable for handling workpieces with uneven surface
- ◇ Suitable for workpieces of various sizes and shapes



Applications

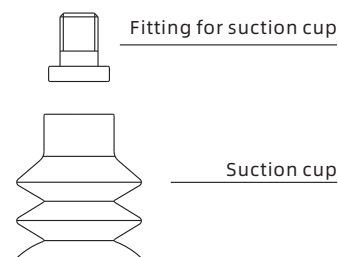
- ◇ Handling of fragile workpieces such as electronic components and injection molding parts
- ◇ Handling of workpieces with uneven surface such as paper and pipes



Structure

- ◇ 2.5 bellows, long compressed stroke
- ◇ Split structure for easy replacement of wearing parts

In the same series, suction cup and fitting can be combined as required



SPC Series

Bellows Suction Cup

How to order

SPC 15 N - M5M

① ② ③ ④

① Series	② Diameter	③ Material & Hardness	④ Connection thread
SPC	3 - ϕ 3mm 20 - ϕ 20mm	N - NBR 55	Nil - Suction cup only
	5 - ϕ 5mm 25 - ϕ 25mm	WS - White silicone 50	M5M - M5×0.8 male thread
	7 - ϕ 7mm 30 - ϕ 30mm	CN - Conductive NBR 55	M8M - M8×1.25 male thread
	10 - ϕ 10mm 40 - ϕ 40mm	CS - Conductive silicone 55	G1M - G1/8 male thread
	12 - ϕ 12mm 60 - ϕ 60mm		M3M - M3×0.5 male thread
	15 - ϕ 15mm 90 - ϕ 90mm		
	18 - ϕ 18mm		

Selection

Model	Connection thread M - Male thread	Model	Connection thread M - Male thread
SPC3□	SPC3□-M3M	SPC20□	SPC20□-M5M
SPC5□	SPC5□-M5M	SPC25□	SPC25□-M5M
SPC7□	SPC7□-M5M	SPC30□	SPC30□-M8M
SPC10□	SPC10□-M5M	SPC40□	SPC40□-M8M
SPC12□	SPC12□-M5M	SPC60□	SPC60□-M8M
SPC15□	SPC15□-M5M	SPC90□	SPC90□-G1M
SPC18□	SPC18□-M5M		

Technical parameters

Model	Pull-out force N	Inner volume cm ³	Min. Curve radius of workpiece mm	Weight g	Recommended hose dia. mm	MPQ pcs
SPC3	0.5	<0.1	4	0.2	4	10
SPC5	0.9	<0.1	7.5	0.2	4	10
SPC7	1.7	<0.1	12	0.3	4	10
SPC10	3.5	0.2	13	0.8	6	10
SPC12	5	0.4	13	1.3	6	10
SPC15	8	0.9	15	1.7	6	10
SPC18	11.5	1.5	20	1.8	6	10
SPC20	14	2	27	2.8	6	5
SPC25	22	5	30	4	6	5
SPC30	32	8.3	35	10.5	6	5
SPC40	56	16.5	60	22.5	8	5
SPC60	127	52	75	52.4	8	1
SPC90	286	135	85	152.8	8	1

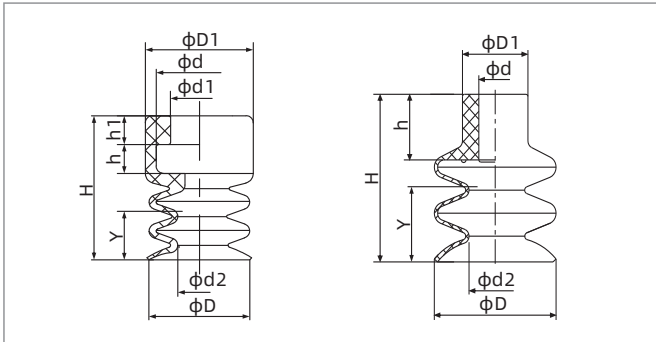
◇ Note: Testing vacuum level -60kPa, workpiece with smooth and clean surface. The data of pull-out force as above are figured out without considering safety factor. The data may be different according to different workpiece surfaces. Recommend the length of vacuum hose to be as short as possible, max 2m.

- SZ
- SP3
- SUF
- SAN
- SAO
- SOFA
- STP
- SFT
- SFA
- SBT
- SBL
- SBLP
- SBS
- SFP
- SBP
- SXP
- SGP
- SBOF
- STC
- SFF
- SOB
- SOF
- SOG
- SFM
- SOM
- SBF
- SDM
- SFU
- SFK
- SHT
- SDL
- SFG
- SFGT
- SFD
- SB
- SBA
- SF
- SU
- SP2F
- SPA
- SPD
- SPF
- SPC**
- SPJ
- SPU
- SH
- SHB
- SBB
- SOP
- SNP

SPC Series

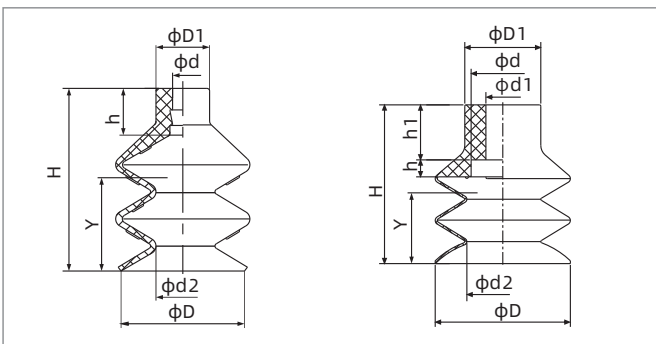
Bellows Suction Cup

Dimensions(mm) - Suction cup only



SPC3-7

SPC10-20



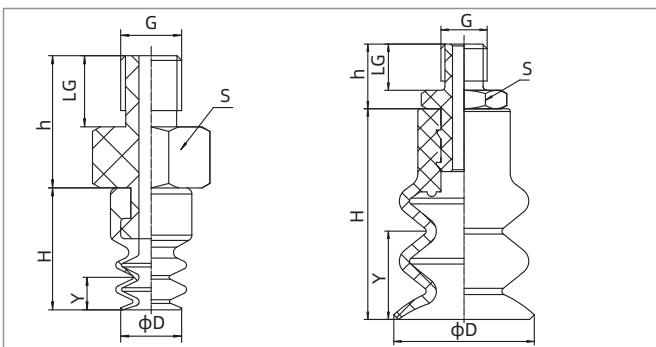
SPC12 SPC25

SPC30-90

Model/Size	D	H	D1	d	h	d1	h1	d2	Y
SPC3□	3	6	4	3	1	2	1.5	1.2	2.5
SPC5□	5	9.5	7.5	6	2	4	2	2	4
SPC7□	7	10	7.5	6	2	4	2	3	5
SPC10□	9	15	9	5	7	-	-	4	6
SPC15□	15.2	22.8	10	5	9	-	-	6	13.8
SPC18□	18.6	23	10	5	9	-	-	8	14
SPC20□	20.6	23	10	5	9	-	-	9.5	14

Model/Size	D	H	D1	d	h	d1	h1	d2	Y
SPC12□	13	21.6	10	3.8	8.5	-	-	5	9
SPC25□	24	34	10	3.8	8.5	-	-	10	25.5
SPC30□	32	37.5	18	15	4	8	13	17	20.5
SPC40□	42	46	20	15	4	8	13	16	29
SPC60□	62	55	21.5	15	5	8	13	29	37
SPC90□	88	87.5	25	25	6	12	20	32	61.5

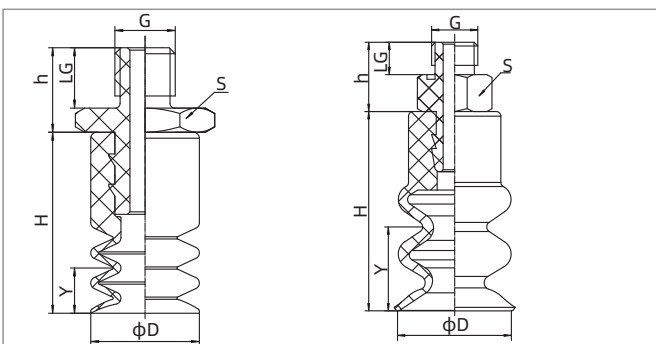
Dimensions(mm) - Suction cup with fitting



SPC3

SPC15-20

Model/Size	D	H	G	LG	h	s	Y
SPC3□-M3M	3	6	M3×0.5	3.5	6.5	5	2.5
SPC15□-M5M	15.2	22.8	M5×0.8	5	7	8	13.8
SPC18□-M5M	18.6	23	M5×0.8	5	7	8	14
SPC20□-M5M	20.6	23	M5×0.8	5	7	8	14



SPC10

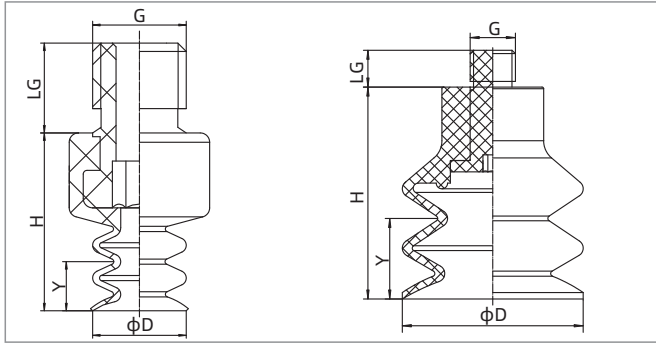
SPC12-25

Model/Size	D	H	G	LG	h	S	Y
SPC10□-M5M	10	15	M5×0.8	5	7	10	6
SPC12□-M5M	13	21.6	M5×0.8	3.5	7.5	7	9
SPC25□-M5M	24	34	M5×0.8	3.5	7.5	7	25.5

SPC Series

Bellows Suction Cup

Dimensions(mm) - Suction cup with fitting



SPC5-7

SPC30-60

◇ Note: The dimensional tolerance conforms to GBT 3672.1-2002-1 M3 rubber product dimensional tolerance standard

Model/Size	D	H	G	LG	Y
SPC5□-M5M	5	9.5	M5×0.8	5	4
SPC7□-M5M	7	10	M5×0.8	5	5
SPC30□-M8M	32	37.5	M8×1.25	6.5	20.5
SPC40□-M8M	42	46	M8×1.25	6.5	29
SPC60□-M8M	62	55	M8×1.25	6.5	37
SPC90□-G1M	88	87.5	G1/8	7	61.5

Mounting parts

Item	Model M - Male thread	Applicable suction cup
Fitting for suction cup	PJS-M3M-ST1	SPC3
	PJS-M5M-ST2	SPC5, 7
	PJS-M5M-SPC10	SPC10
	PJS-M5M-SPC15	SPC15, 18, 20
	PJS-M5M-SC3	SPC12, 25
	PJS-M8M-ST5	SPC30, 40, 60
	PJS-G1M-ST8	SPC90

- SZ
- SP3
- SUF
- SAN
- SAO
- SOFA
- STP
- SFT
- SFA
- SBT
- SBL
- SBLP
- SBS
- SFP
- SBP
- SXP
- SGP
- SBOF
- STC
- SFF
- SOB
- SOF
- SOG
- SFM
- SOM
- SBF
- SDM
- SFU
- SFK
- SHT
- SDL
- SFG
- SFGT
- SFD
- SB
- SBA
- SF
- SU
- SP2F
- SPA
- SPD
- SPF
- SPC**
- SPJ
- SPU
- SH
- SHB
- SBB
- SOP
- SNP

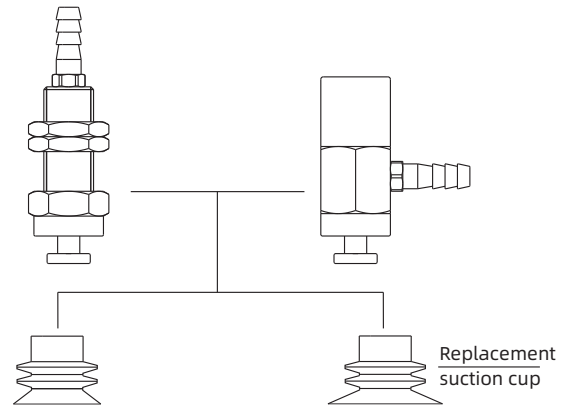
SPC Series

Suction Cup with Locking Fitting

Structure

- ◇ Consisting of replacement suction cup and locking fitting
- ◇ Plug-in fitting for suction cups of diameter 5mm-25mm
- ◇ Fitting with hexagon socket mounting hole for suction cups of diameter 30mm-60mm
- ◇ Vertical vacuum port, pagoda fitting for connection, male thread for mounting
- ◇ Lateral vacuum port, pagoda fitting for connection, female thread for mounting

In the same series, replacement suction cup and locking fitting can be combined as required



How to order

SPC10N - L B6 - M4F
 ① ② ③ ④

① Model	② Vacuum port direction	③ Vacuum port connection	④ Mounting thread
SPC10N	Nil - Vertical direction L - Lateral direction	B6 - Pagoda fitting $\phi 6$ hose	M4F - M4×0.7 female thread M6F - M6×1 female thread M8M - M8×1 male thread M10M - M10×1 male thread

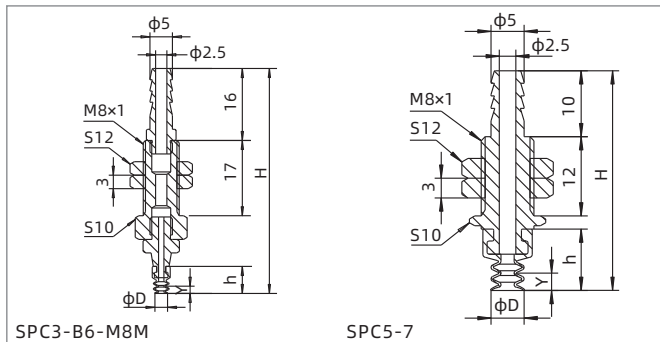
◇ Please refer to page 317 for suction cup selection

Selection

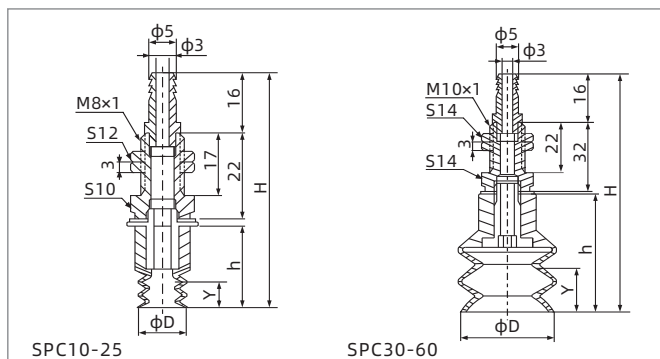
Model	Vacuum port direction Vertical-Pagoda fitting	Lateral-Pagoda fitting
SPC3□	SPC3□-B6-M8M	SPC3□-LB6-M4F
SPC5□	SPC5□-B6-M8M	SPC5□-LB6-M4F
SPC7□	SPC7□-B6-M8M	SPC7□-LB6-M4F
SPC10□	SPC10□-B6-M8M	SPC10□-LB6-M4F
SPC12□	SPC12□-B6-M8M	SPC12□-LB6-M4F
SPC15□	SPC15□-B6-M8M	SPC15□-LB6-M4F
SPC18□	SPC18□-B6-M8M	SPC18□-LB6-M4F
SPC20□	SPC20□-B6-M8M	SPC20□-LB6-M4F
SPC25□	SPC25□-B6-M8M	SPC25□-LB6-M4F
SPC30□	SPC30□-B6-M10M	SPC30□-LB6-M6F
SPC40□	SPC40□-B6-M10M	SPC40□-LB6-M6F
SPC60□	SPC60□-B6-M10M	SPC60□-LB6-M6F

SPC Series

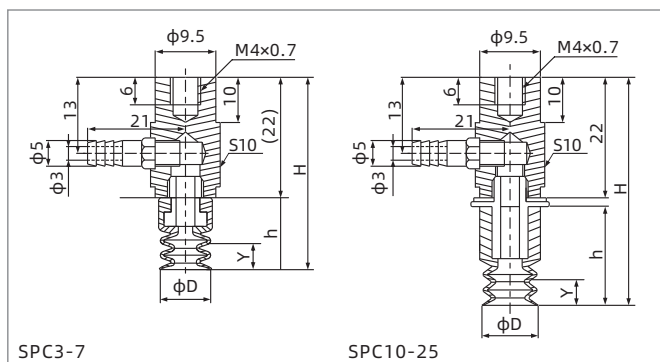
Suction Cup with Locking Fitting



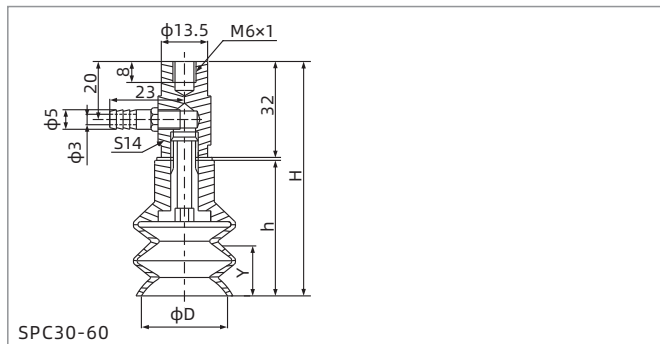
Vertical-Pagoda fitting



Vertical-Pagoda fitting



Lateral-Pagoda fitting



Lateral-Pagoda fitting

Model/Size	D	H	h	Y
SPC3□-B6-M8M	3	50	6	2.5
SPC5□-B6-M8M	5	33.5	9.5	4
SPC7□-B6-M8M	7	34	10	5
SPC10□-B6-M8M	10	55	15	6
SPC12□-B6-M8M	13	63.6	21.6	9
SPC15□-B6-M8M	15.2	62.8	22.8	13.8
SPC18□-B6-M8M	18.6	63	23	14
SPC20□-B6-M8M	20.6	63	23	14
SPC25□-B6-M8M	24	76	34	25.5

Model/Size	D	H	h	Y
SPC30□-B6-M10M	32	85.5	37.5	30.5
SPC40□-B6-M10M	42	94	46	29
SPC60□-B6-M10M	62	103	55	37

Model/Size	D	H	h	Y
SPC3□-LB6-M4F	3	28	6	2.5
SPC5□-LB6-M4F	5	31.5	9.5	4
SPC7□-LB6-M4F	7	32	10	5
SPC10□-LB6-M4F	10	39	15	6
SPC12□-LB6-M4F	13	47.6	21.6	9
SPC15□-LB6-M4F	15.2	46.8	22.8	13.8
SPC18□-LB6-M4F	18.6	47	23	14
SPC20□-LB6-M4F	20.6	47	23	14
SPC25□-LB6-M4F	24	60	34	25.5

Model/Size	D	H	h	Y
SPC30□-LB6-M6F	32	69.5	37.5	20.5
SPC40□-LB6-M6F	42	78	46	29
SPC60□-LB6-M6F	62	87	55	37

◇ Note: The dimensional tolerance conforms to GBT 3672.1-2002-1 M3 rubber product dimensional tolerance standard

- SZ
- SP3
- SUF
- SAN
- SAO
- SOFA
- STP
- SFT
- SFA
- SBT
- SBL
- SBLP
- SBS
- SFP
- SBP
- SXP
- SGP
- SBOF
- STC
- SFF
- SOB
- SOF
- SOG
- SFM
- SOM
- SBF
- SDM
- SFU
- SFK
- SHT
- SDL
- SFG
- SFGT
- SFD
- SB
- SBA
- SF
- SU
- SP2F
- SPA
- SPD
- SPF
- SPC**
- SPJ
- SPU
- SH
- SHB
- SBB
- SOP
- SNP

SPJ Series

Bellows Suction Cup



PACKAGING



PLASTIC



Features

- ◇ 1.5 bellows
- ◇ Soft and tapered lips
- ◇ Mark free plug optional
- ◇ Available in various sizes

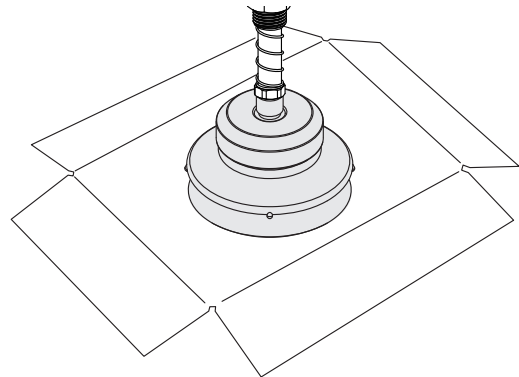
Advantages

- ◇ Compensate the height difference and good buffer when have contact with workpieces
- ◇ Good sealing for handling of workpieces with uneven surface
- ◇ Available in various sizes



Applications

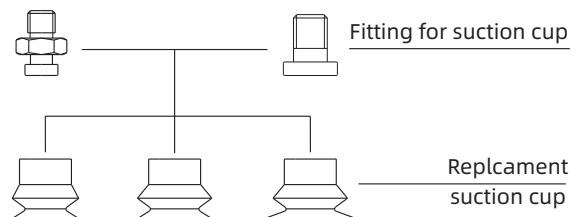
- ◇ Handling workpieces with uneven surface such as cartons, paper board and sheet, workpieces with curved surface
- ◇ Handling fragile workpieces such as electronic components and injection molding parts
- ◇ Suction cup with mark free plug is suitable for handling sensitive electronic material or display screen. It is suitable for occasions with high requirements for mark on adsorption surface



Structure

- ◇ 1.5 bellows, long compressed stroke
- ◇ Suction cups with diameter less than 50mm adopt split structure for easy replacement
- ◇ One-piece structure for suction cup with diameter 60mm-80mm

In the same series, replacement suction cup and fitting can be combined as required



SPJ Series

Bellows Suction Cup

How to order

SPJ 15 N - M5M - PK

① ② ③ ④ ⑤

① Series	② Diameter	③ Material & Hardness	④ Connection thread	⑤ Plug	
SPJ	4 - φ4mm	30 - φ30mm	N - NBR	55 Nil - Suction cup only	Nil - Without Mark free plug
	6 - φ6mm	35 - φ35mm	WS - White silicone	50 M3M - M3×0.5 male thread	PK - With mark free plug
	8 - φ8mm	40 - φ40mm	CN - Conductive NBR	55 M5M - M5×0.8 male thread	
	10 - φ10mm	50 - φ50mm	CS - Conductive silicone	55 M8M - M8×1.25 male thread	
	15 - φ15mm	60 - φ60mm	HP - Mark free rubber	55 M10F - M10×1.25 female thread	
	20 - φ20mm	70 - φ70mm			
	25 - φ25mm	80 - φ80mm			

◇ Note: HP material is not for all sizes. Please contact AIRBEST if need

Selection

Model	Connection thread M - Male thread	Model	Connection thread M - Male thread
SPJ4□	SPJ4□-M3M	SPJ30□	SPJ30□-M5M
SPJ6□	SPJ6□-M5M	SPJ30□-PK	SPJ30□-M5M-PK
SPJ8□	SPJ8□-M5M	SPJ35□	SPJ35□-M5M
SPJ8□-PK	SPJ8□-M5M-PK	SPJ35□-PK	SPJ35□-M5M-PK
SPJ10□	SPJ10□-M5M	SPJ40□	SPJ40□-M5M
SPJ10□-PK	SPJ10□-M5M-PK	SPJ40□-PK	SPJ40□-M5M-PK
SPJ15□	SPJ15□-M5M	SPJ50□	SPJ50□-M8M
SPJ15□-PK	SPJ15□-M5M-PK	SPJ50□-PK	SPJ50□-M8M-PK
SPJ20□	SPJ20□-M5M	SPJ60□	-
SPJ20□-PK	SPJ20□-M5M-PK	SPJ70□	-
SPJ25□	SPJ25□-M5M	SPJ80□	-
SPJ25□-PK	SPJ25□-M5M-PK		

Technical parameters

Model	Pull-out force N	Inner volume cm ³	Min. Curve radius of workpiece mm	Weight g	Recommended hose dia. mm	MPQ pcs
SPJ4	0.6	<0.1	4	0.1	4	10
SPJ6	1.2	<0.1	6	0.2	4	10
SPJ8	2.2	<0.1	8	0.3	4	10
SPJ10	3.5	0.2	12	0.8	4	10
SPJ15	8	0.5	20	1.0	6	10
SPJ20	15	1.1	27	1.8	6	5
SPJ25	24	2.2	40	3.0	6	5
SPJ30	32	3	55	5.3	6	5
SPJ35	43	4.5	65	8.0	6	5
SPJ40	60	6	80	10.5	6	1
SPJ50	92	11.7	95	21.0	8	1
SPJ60	127	20	125	35.6	8	1
SPJ70	173	30	150	52.5	8	1
SPJ80	226	40	140	63.0	8	1

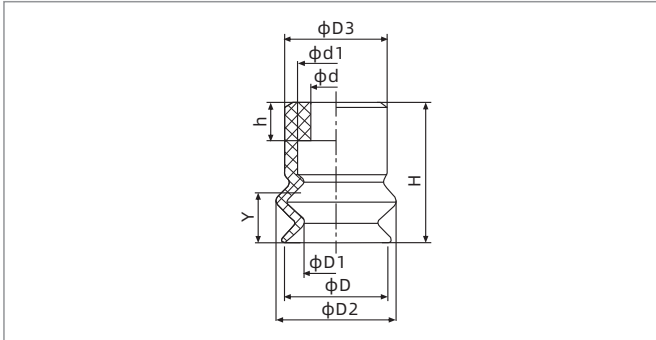
◇ Note: Testing vacuum level -60kPa, workpiece with smooth and clean surface. The data of pull-out force as above are figured out without considering safety factor. The data may be different according to different workpiece surfaces. Recommend the length of vacuum hose to be as short as possible, max 2m.

- SZ
- SP3
- SUF
- SAN
- SAO
- SOFA
- STP
- SFT
- SFA
- SBT
- SBL
- SBLP
- SBS
- SFP
- SBP
- SXP
- SGP
- SBOF
- STC
- SFF
- SOB
- SOF
- SOG
- SFM
- SOM
- SBF
- SDM
- SFU
- SFK
- SHT
- SDL
- SFG
- SFGT
- SFD
- SB
- SBA
- SF
- SU
- SP2F
- SPA
- SPD
- SPF
- SPC
- SPJ**
- SPU
- SH
- SHB
- SBB
- SOP
- SNP

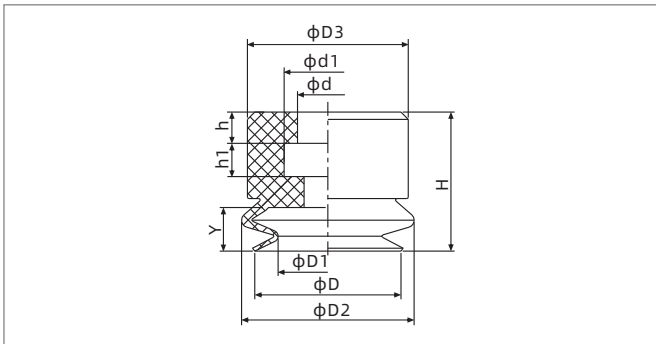
SPJ Series

Bellows Suction Cup

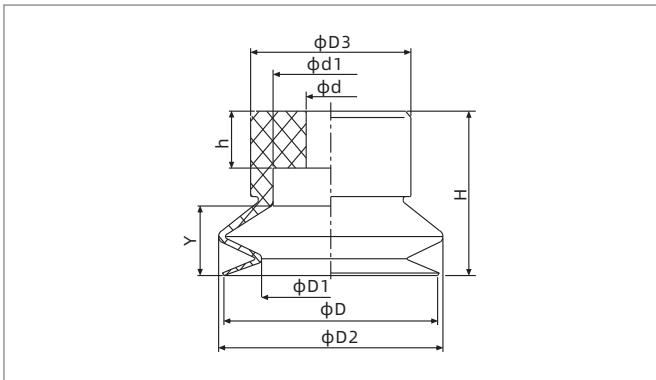
Dimensions(mm) - Suction cup only



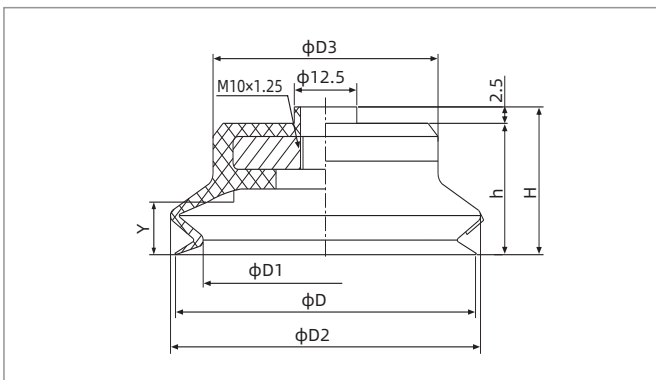
SPJ4-8



SPJ10-15



SPJ20-50



SPJ60-80

Model/Size	D	H	D1	D2	D3	d	h	d1	Y
SPJ4□	4	5.5	2.5	4.6	4	2	1.5	3	2.3
SPJ6□	6	9	3.3	7.8	7.5	4	2	6	4.2
SPJ8□	8	9	5.3	9.8	8	4	2	6	4

Model/Size	D	H	D1	D2	D3	d	h	d1	h1	Y
SPJ10□	10	9.5	6.8	11.8	11	4	2	6	2	3
SPJ15□	15	11	9.7	15.8	12	4	2	6	2	3.3

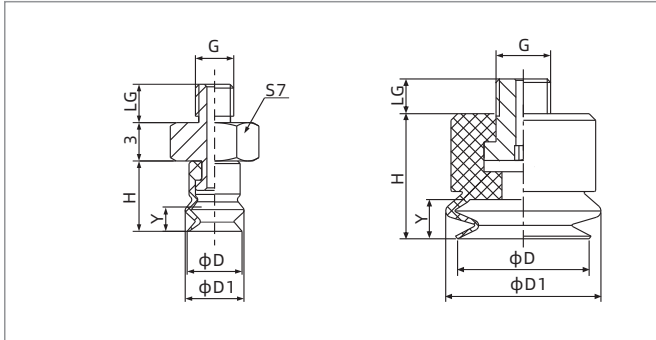
Model/Size	D	H	D1	D2	D3	d	h	d1	Y
SPJ20□	20	13	13	21	15	4.6	4.5	10.8	5.5
SPJ25□	25	15.5	14.5	26	17.5	4.6	4.5	10.8	6.5
SPJ30□	30	18	16	31	20	5.8	7	10.8	7
SPJ35□	35	18	20.5	36	25	5.8	7	10.8	7
SPJ40□	40	18	25	40	30	5.8	7	10.8	7.2
SPJ50□	50	20	32	53	40	7.8	7	19.8	9

Model/Size	D	H	h	D1	D2	D3	Y
SPJ60□-M10F	60	22.5	20	45	62	45	8
SPJ70□-M10F	70	23.5	21	52	74	55	9.5
SPJ80□-M10F	80	23.5	21	61	82	68	9.5

SPJ Series

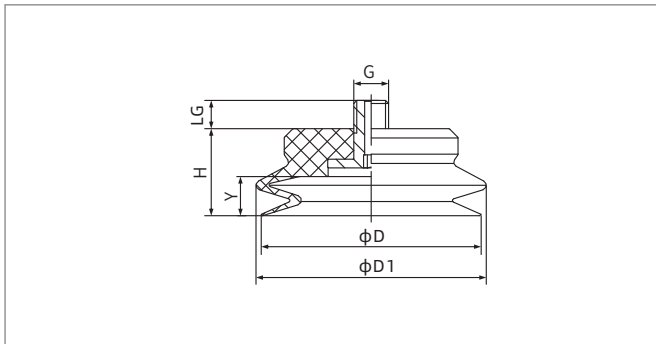
Bellows Suction Cup

Dimensions(mm)



SPJ4

SPJ6-15



SPJ20-50

Model/Size	D	H	D1	G	LG	Y
SPJ4□-M3M	4	5.5	4.6	M3×0.5	3.5	2.3
SPJ6□-M5M	6	9	7.8	M5×0.8	4.5	4.2
SPJ8□-M5M	8	9	9.8	M5×0.8	4.5	4
SPJ10□-M5M	10	9.5	11.8	M5×0.8	4.5	3
SPJ15□-M5M	15	11	15.8	M5×0.8	4.5	3.3

Model/Size	D	H	D1	G	LG	Y
SPJ20□-M5M	20	13	21	M5×0.8	5	5.5
SPJ25□-M5M	25	15.5	26	M5×0.8	5	6.5
SPJ30□-M5M	30	18	31	M5×0.8	5	7
SPJ35□-M5M	35	18	36	M5×0.8	5	7
SPJ40□-M5M	40	18	40	M5×0.8	5	7.2
SPJ50□-M8M	50	20	53	M8×1.25	6.5	9

◇ Note: The dimensional tolerance conforms to GBT 3672.1-2002-1 M3 rubber product dimensional tolerance standard

Mounting parts

Item	Model M - Male thread	Applicable suction cup
Fitting for suction cup	PJS-M3M-ST1	SPJ4
	PJS-M5M-ST2	SPJ6, 8, 10, 15
	PJS-M5M-ST3	SPJ20, 25
	PJS-M5M-ST4	SPJ30, 35, 40
	PJS-M8M-ST6	SPJ50

- SZ
- SP3
- SUF
- SAN
- SAO
- SOFA
- STP
- SFT
- SFA
- SBT
- SBL
- SBLP
- SBS
- SFP
- SBP
- SXP
- SGP
- SBOF
- STC
- SFF
- SOB
- SOF
- SOG
- SFM
- SOM
- SBF
- SDM
- SFU
- SFK
- SHT
- SDL
- SFG
- SFGT
- SFD
- SB
- SBA
- SF
- SU
- SP2F
- SPA
- SPD
- SPF
- SPC
- SPJ**
- SPU
- SH
- SHB
- SBB
- SOP
- SNP

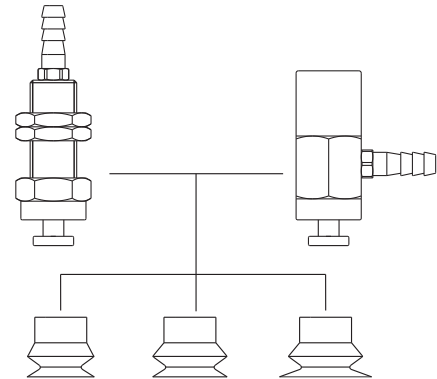
SPJ Series

Suction Cup with Locking Fitting

Structure

- ◇ Consisting of replacement suction cup and locking fitting
- ◇ Plug-in fitting for suction cups
- ◇ Vertical vacuum port, pagoda fitting or one-touch fitting for connection, male thread for mounting
- ◇ Lateral vacuum port, pagoda fitting for connection, female thread for mounting

In the same series, replacement suction cup and locking fitting can be combined as required



How to order

SPJ10N - L B6 - M4F
① ② ③ ④

① Series	② Vacuum port direction	③ Vacuum port connection	④ Mounting thread	
SPJ10N	Nil - Vertical	B6 - Pagoda fitting $\phi 6$ hose	M4F - M4x0.7 female thread	M8M - M8x1 male thread
	L - Lateral	R1 - Rc1/8 female thread	M6F - M6x1 female thread	M10M - M10x1 male thread
			M8F - M8x1.25 female thread	M16M - M16x1.5 male thread

◇ Please refer to page 323 for suction cup selection

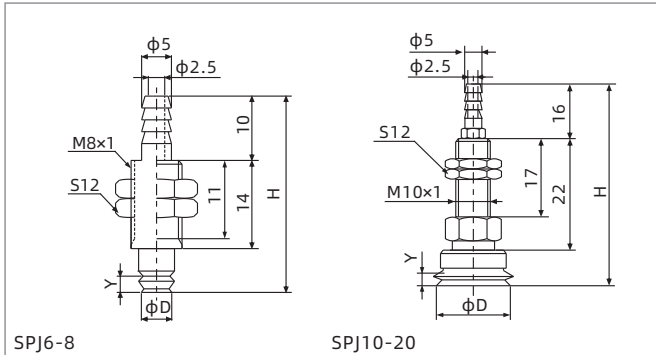
Selection

Model	Vacuum port direction Vertical-Pagoda fitting	Lateral-Pagoda fitting
SPJ6□	SPJ6□-B6-M8M	SPJ6□-LB6-M4F
SPJ8□	SPJ8□-B6-M8M	SPJ8□-LB6-M4F
SPJ10□	SPJ10□-B6-M8M	SPJ10□-LB6-M4F
SPJ15□	SPJ15□-B6-M8M	SPJ15□-LB6-M4F
SPJ20□	SPJ20□-B6-M8M	SPJ20□-LB6-M4F
SPJ25□	SPJ25□-B6-M10M	SPJ25□-LB6-M6F
SPJ30□	SPJ30□-B6-M10M	SPJ30□-LB6-M6F
SPJ35□	SPJ35□-B6-M10M	SPJ35□-LB6-M6F
SPJ40□	SPJ40□-B6-M10M	SPJ40□-LB6-M6F
SPJ50□	SPJ50□-B6-M10M	SPJ50□-LB6-M6F
SPJ60□	SPJ60□-R1-M16M	SPJ60□-LR1-M8F
SPJ70□	SPJ70□-R1-M16M	SPJ70□-LR1-M8F
SPJ80□	SPJ80□-R1-M16M	SPJ80□-LR1-M8F

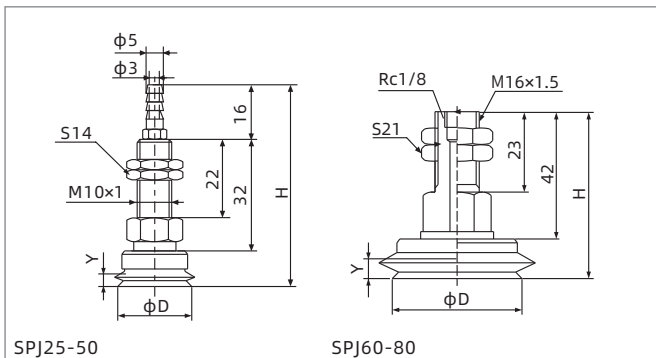
SPJ Series

Suction Cup with Locking Fitting

Dimensions(mm)

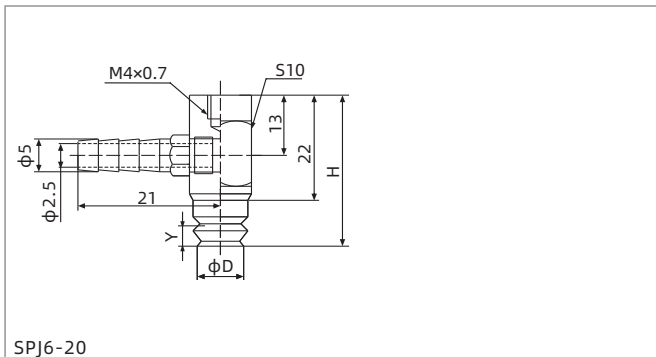


Vertical-Pagoda fitting

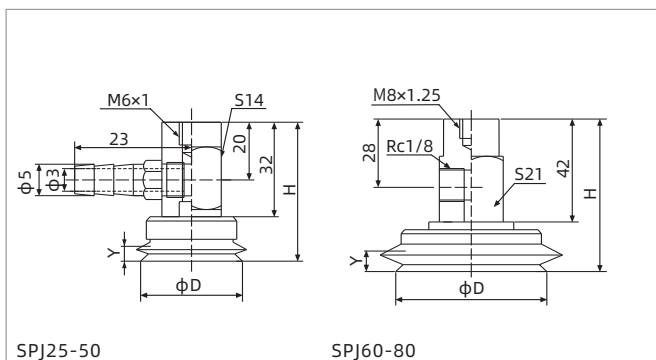


Vertical-Pagoda fitting

Vertical-Female thread connection



Lateral-Pagoda fitting



Lateral-Pagoda fitting

Lateral-Female thread connection

Model/Size	D	H	Y
SPJ6□-B6-M8M	6	33	4.2
SPJ8□-B6-M8M	8	33	4
SPJ10□-B6-M8M	10	47.5	3
SPJ15□-B6-M8M	15	49	3.3
SPJ20□-B6-M8M	20	51	5.5

Model/Size	D	H	Y
SPJ25□-B6-M10M	25	63.5	6.5
SPJ30□-B6-M10M	30	66	7
SPJ35□-B6-M10M	35	66	7
SPJ40□-B6-M10M	40	66	7.2
SPJ50□-B6-M10M	50	68	9
SPJ60□-R1-M16M	60	62	8
SPJ70□-R1-M16M	70	63	9.5
SPJ80□-R1-M16M	80	63	9.5

Model/Size	D	H	Y
SPJ6□-LB6-M4F	6	31	4.2
SPJ8□-LB6-M4F	8	31	4
SPJ10□-LB6-M4F	10	31.5	3
SPJ15□-LB6-M4F	15	33	3.3
SPJ20□-LB6-M4F	20	35	5.5

Model/Size	D	H	Y
SPJ25□-LB6-M6F	25	47.5	6.5
SPJ30□-LB6-M6F	30	50	7
SPJ35□-LB6-M6F	35	50	7
SPJ40□-LB6-M6F	40	50	7.2
SPJ50□-LB6-M6F	50	52	9
SPJ60□-LR1-M8F	60	62	8
SPJ70□-LR1-M8F	70	63	9.5
SPJ80□-LR1-M8F	80	63	9.5

- SZ
- SP3
- SUF
- SAN
- SAO
- SOFA
- STP
- SFT
- SFA
- SBT
- SBL
- SBLP
- SBS
- SFP
- SBP
- SXP
- SGP
- SBOF
- STC
- SFF
- SOB
- SOF
- SOG
- SFM
- SOM
- SBF
- SDM
- SFU
- SFK
- SHT
- SDL
- SFG
- SFGT
- SFD
- SB
- SBA
- SF
- SU
- SP2F
- SPA
- SPD
- SPF
- SPC
- SPJ**
- SPU
- SH
- SHB
- SBB
- SOP
- SNP

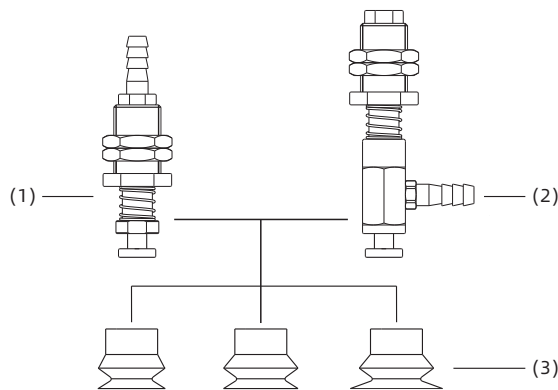
SPJ Series

Suction Cup with Level Compensator

Structure

- ◇ Consisting of replacement suction cup(3) and level compensator
- ◇ Plug-in fitting for suction cup
- ◇ Vertical vacuum port(1), male thread for mounting
- ◇ Lateral vacuum port(2), male thread for mounting

In the same series, replacement suction cup and level compensator can be combined as required



How to order

SPJ10N - F E 10 LB6 - M11

①
②
③
④
⑤
⑥

① Model	② Level compensator type	③ Buffer type	④ Buffer stroke	⑤ Vacuum port connection	⑥ Mounting thread	
SPJ10N	F - PSPF Series	E - External spring	3	10	B6 - Vertical, Pagoda fitting φ6 hose	M9 - M9×1
			4	15	LB6 - Lateral, Pagoda fitting φ6 hose	M11 - M11×1
			6	30	LR1 - Lateral, Rc1/8 Female thread	M14 - M14×1
						M16 - M16×1.5

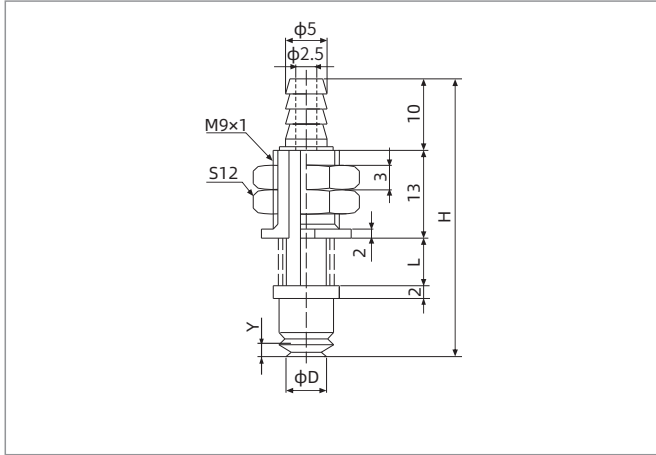
Selection

Model	Vacuum port direction Vertical-Pagoda fitting		Lateral-Pagoda fitting	
SPJ6□	SPJ6□-FE3B6-M9	SPJ6□-FE10B6-M9	SPJ6□-FE3LB6-M9	SPJ6□-FE10LB6-M9
SPJ8□	SPJ8□-FE3B6-M9	SPJ8□-FE10B6-M9	SPJ8□-FE3LB6-M9	SPJ8□-FE10LB6-M9
SPJ10□	SPJ10□-FE4B6-M11	SPJ10□-FE10B6-M11	SPJ10□-FE4LB6-M11	SPJ10□-FE10LB6-M11
SPJ15□	SPJ15□-FE4B6-M11	SPJ15□-FE10B6-M11	SPJ15□-FE4LB6-M11	SPJ15□-FE10LB6-M11
SPJ20□	SPJ20□-FE4B6-M11	SPJ20□-FE10B6-M11	SPJ20□-FE4LB6-M11	SPJ20□-FE10LB6-M11
SPJ25□	SPJ25□-FE6B6-M14	SPJ25□-FE15B6-M14	SPJ25□-FE6LB6-M14	SPJ25□-FE15LB6-M14
SPJ30□	SPJ30□-FE6B6-M14	SPJ30□-FE15B6-M14	SPJ30□-FE6LB6-M14	SPJ30□-FE15LB6-M14
SPJ35□	SPJ35□-FE6B6-M14	SPJ35□-FE15B6-M14	SPJ35□-FE6LB6-M14	SPJ35□-FE15LB6-M14
SPJ40□	SPJ40□-FE6B6-M14	SPJ40□-FE15B6-M14	SPJ40□-FE6LB6-M14	SPJ40□-FE15LB6-M14
SPJ50□	SPJ50□-FE6B6-M14	SPJ50□-FE15B6-M14	SPJ50□-FE6LB6-M14	SPJ50□-FE15LB6-M14
SPJ60□	-	-	SPJ60□-FE10LR1-M16	SPJ60□-FE30LB6-M16
SPJ70□	-	-	SPJ70□-FE10LR1-M16	SPJ70□-FE30LB6-M16
SPJ80□	-	-	SPJ80□-FE10LR1-M16	SPJ80□-FE30LB6-M16

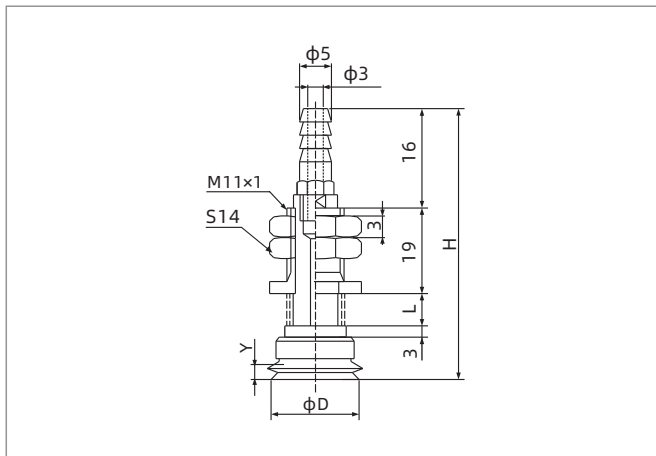
SPJ Series

Suction Cup with Level Compensator

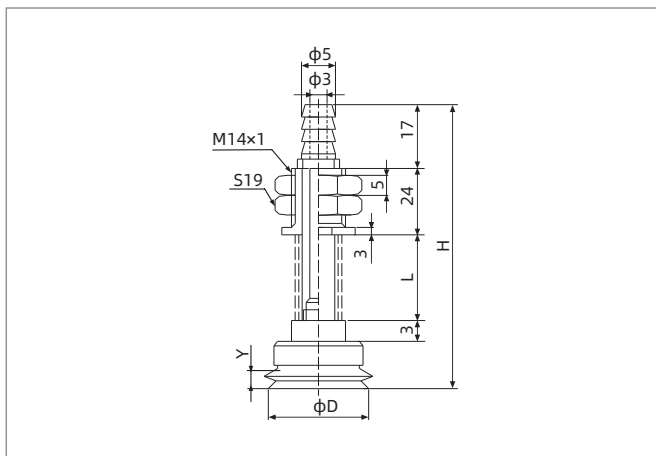
Dimensions(mm)



SPJ6-8 Vertical-Pagoda fitting



SPJ10-20 Vertical-Pagoda fitting



SPJ25-50 Vertical-Pagoda fitting

Model/Size	D	H	L	Y	Buffer stroke
SPJ6□-FE3B6-M9	6	40	6	4.2	3
SPJ6□-FE10B6-M9	6	54	20	4.2	10
SPJ8□-FE3B6-M9	8	40	6	4	3
SPJ8□-FE10B6-M9	8	54	20	4	10

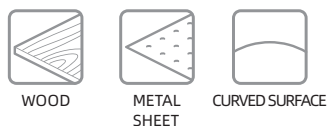
Model/Size	D	H	L	Y	Buffer stroke
SPJ10□-FE4B6-M11	10	55.5	8	3	4
SPJ10□-FE10B6-M11	10	67.5	20	3	10
SPJ15□-FE4B6-M11	15	57	8	3.3	4
SPJ15□-FE10B6-M11	15	69	20	3.3	10
SPJ20□-FE4B6-M11	20	59	8	5.5	4
SPJ20□-FE10B6-M11	20	71	20	5.5	10

Model/Size	D	H	L	Y	Buffer stroke
SPJ25□-FE6B6-M14	25	72.5	13	6.5	6
SPJ25□-FE15B6-M14	25	89.5	30	6.5	15
SPJ30□-FE6B6-M14	30	75	13	7	6
SPJ30□-FE15B6-M14	30	92	30	7	15
SPJ35□-FE6B6-M14	35	75	13	7	6
SPJ35□-FE15B6-M14	35	92	30	7	15
SPJ40□-FE6B6-M14	40	75	13	7.2	6
SPJ40□-FE15B6-M14	40	92	30	7.2	15
SPJ50□-FE6B6-M14	50	77	13	9	6
SPJ50□-FE15B6-M14	50	94	30	9	15

- SZ
- SP3
- SUF
- SAN
- SAO
- SOFA
- STP
- SFT
- SFA
- SBT
- SBL
- SBLP
- SBS
- SFP
- SBP
- SXP
- SGP
- SBOF
- STC
- SFF
- SOB
- SOF
- SOG
- SFM
- SOM
- SBF
- SDM
- SFU
- SFK
- SHT
- SDL
- SFG
- SFGT
- SFD
- SB
- SBA
- SF
- SU
- SP2F
- SPA
- SPD
- SPF
- SPC
- SPJ**
- SPU
- SH
- SHB
- SBB
- SOP
- SNP

SPU Series

Swivel Flat Suction Cup



Suction Cup

Features

- ◇ With support structure at the bottom
- ◇ Small inner volume
- ◇ Available in various sizes

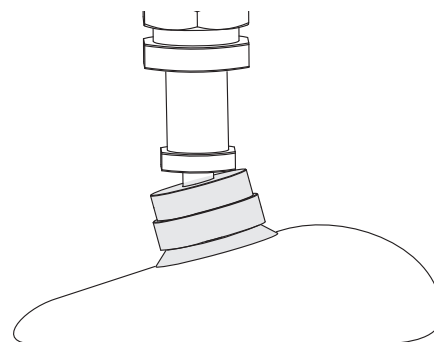
Advantages

- ◇ Be able to prevent thin walled workpieces from permanent deformation
- ◇ Suitable for workpieces of various sizes and shapes



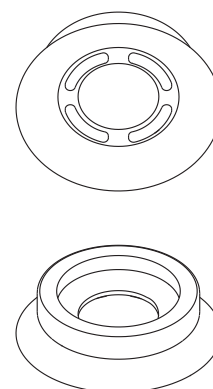
Applications

- ◇ Suitable for handling of workpieces with inclined surface. Its mounting inner cavity is large and it can be connected with swivel joint
- ◇ Suitable for handling sheet metal or wood plate. During handling process, when it is depressed in the middle or dooping at both ends, suction cup with swivel joint can have good contact with workpiece and prevent workpiece from falling off



Structure

- ◇ Split structure design for easy replacement of wearing parts



- SZ
- SP3
- SUF
- SAN
- SAO
- SOFA
- STP
- SFT
- SFA
- SBT
- SBL
- SBLP
- SBS
- SFP
- SBP
- SXP
- SGP
- SBOF
- STC
- SFF
- SOB
- SOF
- SOG
- SFM
- SOM
- SBF
- SDM
- SFU
- SFK
- SHT
- SDL
- SFG
- SFGT
- SFD
- SB
- SBA
- SF
- SU
- SP2F
- SPA
- SPD
- SPF
- SPC
- SPJ**
- SPU**
- SH
- SHB
- SBB
- SOP
- SNP

SPU Series

Swivel Flat Suction Cup

How to order

SPU 30 N

① ② ③

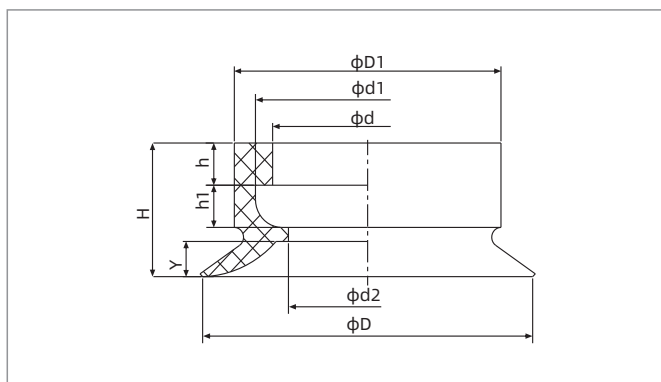
① Series	② Diameter	③ Material & Hardness
SPU	10 - ϕ 10mm	40 - ϕ 40mm
	15 - ϕ 15mm	50 - ϕ 50mm
	20 - ϕ 20mm	60 - ϕ 60mm
	25 - ϕ 25mm	80 - ϕ 80mm
	30 - ϕ 30mm	100 - ϕ 100mm
	35 - ϕ 35mm	
		N - NBR 55
		WS - White silicone 50

Technical parameters

Model	Pull-out force N	Inner volume cm ³	Weight g	Recommended hose dia. mm	MPQ pcs
SPU10	3.5	< 0.1	0.2	4	10
SPU15	8	0.2	0.3	6	10
SPU20	15	0.5	1.3	6	5
SPU25	24	1.1	1.5	6	5
SPU30	32	1	1.9	6	5
SPU35	43	2.4	2.5	6	5
SPU40	60	3.4	3.8	6	1
SPU50	92	5.7	5.1	8	1
SPU60	127	11	12.4	8	1
SPU80	226	25.3	24.2	8	1
SPU100	355	38	40.2	10	1

◇ Note: Testing vacuum level -60kPa, workpiece with smooth and clean surface. The data of pull-out force as above are figured out without considering safety factor. The data may be different according to different workpiece surfaces. Recommend the length of vacuum hose to be as short as possible, max 2m.

Dimensions(mm)



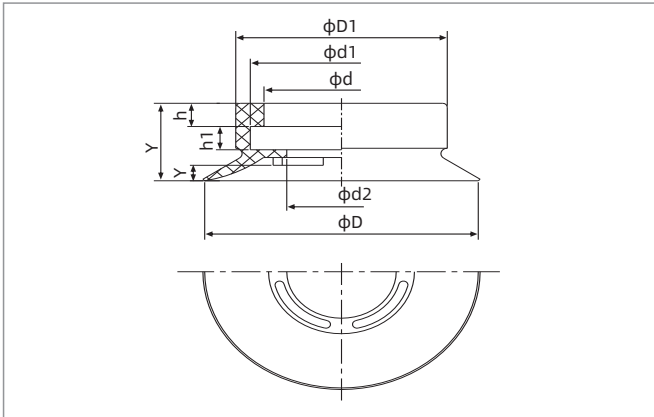
SPU10-25

Model/Size	D	H	D1	d	h	d1	h1	d2	Y
SPU10□	10	3.5	10.5	6.5	1.5	8	0.5	4	1
SPU15□	15	4.5	10.5	6.5	1.5	8	0.5	4	1.4
SPU20□	20	9	20.2	14.4	3	17	3	12	2
SPU25□	25	9.5	20.2	14.4	3	17	3	12	2.5

SPU Series

Swivel Flat Suction Cup

Dimensions(mm)



SPU30-100

◇ Note: The dimensional tolerance conforms to GBT 3672.1-2002-1 M3 rubber product dimensional tolerance standard

Model/Size	D	H	D1	d	h	d1	h1	d2	Y
SPU30□	30	10	23.2	17	3	20	3	12	2
SPU35□	35	11	23.2	17	3	20	3	12	3
SPU40□	40	10.5	32.2	24.5	3.5	28	2	16	3
SPU50□	50	11.5	32.2	24.5	3.5	28	2	16	4
SPU60□	60	16.2	46.2	38.5	5.2	42	3	10	5
SPU80□	80	18.2	60.2	49	5.2	54	3	10	6
SPU100□	100	18.2	78.2	66	5.2	72	3	10	6

- SZ
- SP3
- SUF
- SAN
- SAO
- SOFA
- STP
- SFT
- SFA
- SBT
- SBL
- SBLP
- SBS
- SFP
- SBP
- SXP
- SGP
- SBOF
- STC
- SFF
- SOB
- SOF
- SOG
- SFM
- SOM
- SBF
- SDM
- SFU
- SFK
- SHT
- SDL
- SFG
- SFGT
- SFD
- SB
- SBA
- SF
- SU
- SP2F
- SPA
- SPD
- SPF
- SPC
- SPJ
- SPU**
- SH
- SHB
- SBB
- SOP
- SNP

SH Series

Heavy Load Flat Suction Cup

AIRBEST



METAL SHEET



WOOD



HEAVY LOAD



Features

- ◇ Large area support structure at the bottom
- ◇ Flat and short compressed stroke
- ◇ Split structure design
- ◇ Available in various sizes

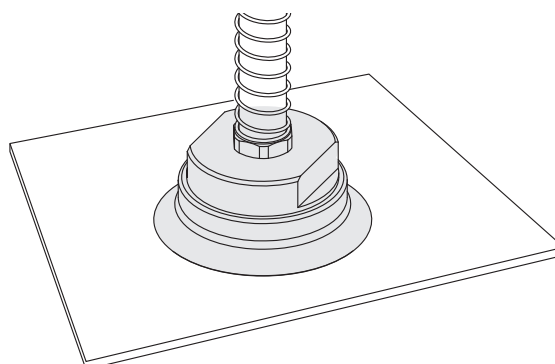
Advantages

- ◇ Be able to prevent permanent deformation of workpieces
- ◇ Handling of workpieces with flat surface and short working cycle
- ◇ Wearing parts can be replaced, and suction cup can be recycled to highly reduce cost
- ◇ Suitable for various workpieces

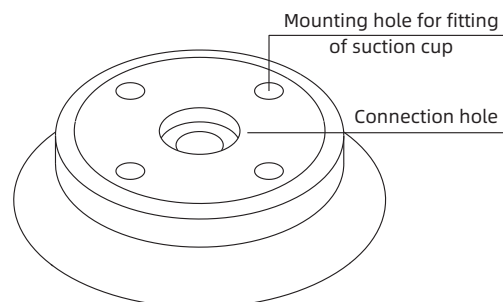


Applications

- ◇ Handling of large workpieces with flat or slightly rough surface, such as wood boards, steel plates and heavy workpieces



Structure



SH Series

Heavy Load Flat Suction Cup

How to order

SH 40 N
① ② ③

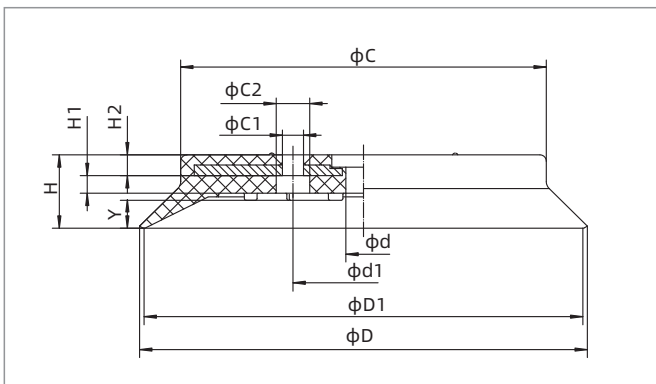
① Series	② Diameter		③ Material & Hardness	
SH	40 - ϕ 40mm	80 - ϕ 80mm	N - NBR	55
	50 - ϕ 50mm	100 - ϕ 100mm	WS - White silicone	50
	63 - ϕ 63mm	125 - ϕ 125mm		

Technical parameters

Model	Pull-out force N	Inner volume cm ³	Weight g	Recommended hose dia. mm	MPQ pcs
SH40	56	4	13.5	8	1
SH50	88	6.9	25.1	8	1
SH63	140	11.5	47.9	8	1
SH80	226	24	75.4	8	1
SH100	353	55	149.7	10	1
SH125	552	85	263.6	10	1

◇ Note: Testing vacuum level -60kPa, workpiece with smooth and clean surface. The data of pull-out force as above are figured out without considering safety factor. The data may be different according to different workpiece surfaces. Recommend the length of vacuum hose to be as short as possible, max 2m.

Dimensions(mm)



SH40-125

Model/Size	D	D1	d	d1	H	H1	H2	C	C1	C2	Y
SH40□	42	40	6	18	11.5	3.5	3.5	32	3- ϕ 4	3- ϕ 6.5	3.5
SH50□	52	50	6	18	11.5	3.5	3.5	42	3- ϕ 4	3- ϕ 6.5	3.5
SH63□	65	63	8	34	14.5	4.5	4.5	51	4- ϕ 5	4- ϕ 8	3.5
SH80□	82	80	8	34	16.5	4.5	4.5	68	4- ϕ 5	4- ϕ 8	4.5
SH100□	103	100	10	40	21	5	6	80	4- ϕ 6	4- ϕ 9.5	7.5
SH125□	127	125	10	40	21	5	6	104	4- ϕ 6	4- ϕ 9.5	7.5

◇ Note: The dimensional tolerance conforms to GBT3672.1-2002-1 M3 rubber product dimensional tolerance standard

SH Series

Suction Cup with Locking Fitting

Structure

- ◇ Consisting of suction cup and locking fitting, 3 types of connection
- ◇ FIG.1: Vertical vacuum port, female thread connection
- ◇ FIG.2: Vertical vacuum port, male thread connection
- ◇ FIG.3: Lateral vacuum port, female thread connection



How to order

SH50N - LR1 - M10F
① ② ③

① Model	② Vacuum port direction	③ Connection thread
SH50N	Nil - Vertical, female thread connection R1 - Vertical, male thread connection LR1 - Lateral, female thread connection	M10F - M10×1.5 female thread M12F - M12×1.75 female thread G2F - G1/4 female thread G3F - G3/8 female thread M14M - M14×1 male thread M16M - M16×1.5 male thread

◇ Please refer to page 335 for suction cup selection

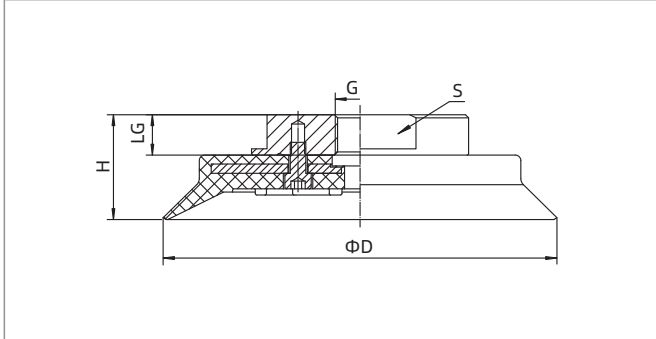
Selection

Model	Vacuum port direction			
	Nil		R1	LR1
SH40□	SH40□-M10F	SH40□-G2F	SH40□-R1-M14M	SH40□-LR1-M10F
SH50□	SH50□-M10F	SH50□-G2F	SH50□-R1-M14M	SH50□-LR1-M10F
SH63□	SH63□-M10F	SH63□-G2F	SH63□-R1-M16M	SH63□-LR1-M10F
SH80□	SH80□-M10F	SH80□-G2F	SH80□-R1-M16M	SH80□-LR1-M10F
SH100□	SH100□-M12F	SH100□-G3F	SH100□-R1-M16M	SH100□-LR1-M10F
SH125□	SH125□-M12F	SH125□-G3F	SH125□-R1-M16M	SH125□-LR1-M10F

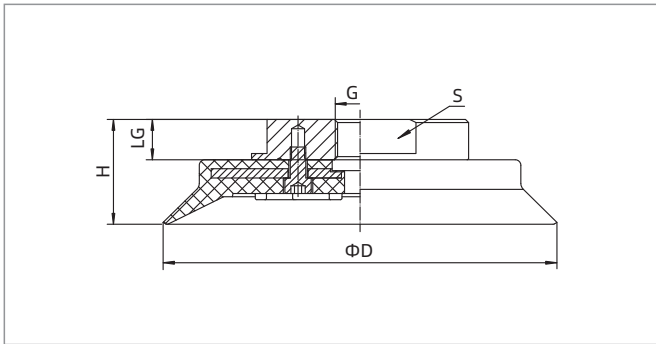
SH Series

Suction Cup with Locking Fitting

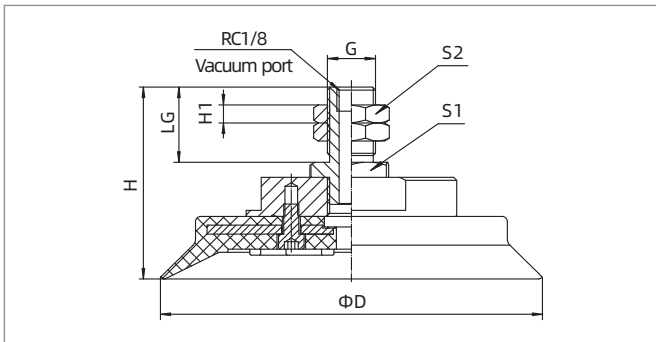
Dimensions(mm)



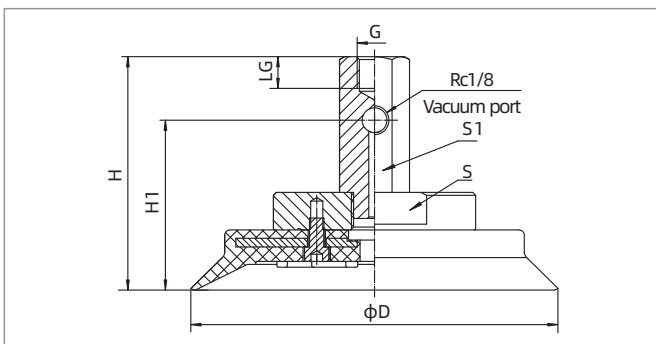
SH40-125 Vertical, female thread connection



SH40-125 Vertical, female thread connection



SH40-125 Vertical, male thread connection



SH40-125 Lateral, female thread connection

Model/Size	D	H	G	LG	S
SH40□-G2F	42	23	G1/4	11.5	24
SH50□-G2F	52	23	G1/4	11.5	24
SH63□-G2F	65	26	G1/4	11.5	37
SH80□-G2F	82	28	G1/4	11.5	37
SH100□-G3F	103	34	G3/8	13	60
SH125□-G3F	127	34	G3/8	13	60

Model/Size	D	H	G	LG	S
SH40□-M10F	42	23	M10×1.5	11.5	24
SH50□-M10F	52	23	M10×1.5	11.5	24
SH63□-M10F	65	26	M10×1.5	11.5	37
SH80□-M10F	82	28	M10×1.5	11.5	37
SH100□-M12F	103	34	M12×1.75	13	60
SH125□-M12F	127	34	M12×1.75	13	60

Model/Size	D	H	H1	G	LG	S1	S2
SH40□-R1-M14M	42	53	5	M14×1	25	19	19
SH50□-R1-M14M	52	53	5	M14×1	25	19	19
SH63□-R1-M16M	65	56	6	M16×1.5	25	24	22
SH80□-R1-M16M	82	58	6	M16×1.5	25	24	22
SH100□-R1-M16M	103	64	6	M16×1.5	25	24	22
SH125□-R1-M16M	127	64	6	M16×1.5	25	24	22

Model/Size	D	H	H1	G	LG	S1	S2
SH40□-LR1-M10F	42	60	38	M10×1.5	11	24	21
SH50□-LR1-M10F	52	60	38	M10×1.5	11	24	21
SH63□-LR1-M10F	65	63	41	M10×1.5	11	37	21
SH80□-LR1-M10F	82	65	43	M10×1.5	11	37	21
SH100□-LR1-M10F	103	71	49	M10×1.5	11	60	21
SH125□-LR1-M10F	127	71	49	M10×1.5	11	60	21

- SZ
- SP3
- SUF
- SAN
- SAO
- SOFA
- STP
- SFT
- SFA
- SBT
- SBL
- SBLP
- SBS
- SFP
- SBP
- SXP
- SGP
- SBOF
- STC
- SFF
- SOB
- SOF
- SOG
- SFM
- SOM
- SBF
- SDM
- SFU
- SFK
- SHT
- SDL
- SFG
- SFGT
- SFD
- SB
- SBA
- SF
- SU
- SP2F
- SPA
- SPD
- SPF
- SPC
- SPJ
- SPU
- SH**
- SHB
- SBB
- SOP
- SNP

SH Series

Suction Cup with Level Compensator

Structure

- ◇ Consisting of suction cup and level compensator, 2 types of vacuum connection
- ◇ External spring and 2pcs mounting nuts
- ◇ Vacuum port connection: Rc1/8 female thread
- ◇ FIG.1 vertical vacuum port, FIG.2 lateral vacuum port



FIG.1

FIG.2

How to order

SH50N - E 25 LR1 - M18

① ② ③ ④ ⑤

① Model	② Buffer type	③ Buffer stroke	④ Vacuum port direction	⑤ Mounting thread
SH50N	E - External spring	25	Nil - Vertical	M18 - M18×1.5
		50	LR1 - Lateral	M22 - M22×1.5
		75		
		100		

◇ Please refer to page 335 for suction cup selection

Selection-Vertical direction

Model	Buffer stroke			
	25	50	75	100
SH40□	SH40□-E25-M18	SH40□-E50-M18	SH40□-E75-M18	-
SH50□	SH50□-E25-M18	SH50□-E50-M18	SH50□-E75-M18	-
SH63□	SH63□-E25-M18	SH63□-E50-M18	SH63□-E75-M18	-
SH80□	SH80□-E25-M18	SH80□-E50-M18	SH80□-E75-M18	-
SH100□	SH100□-E25-M22	SH100□-E50-M22	SH100□-E75-M22	SH100□-E100-M22
SH125□	SH125□-E25-M22	SH125□-E50-M22	SH125□-E75-M22	SH125□-E100-M22

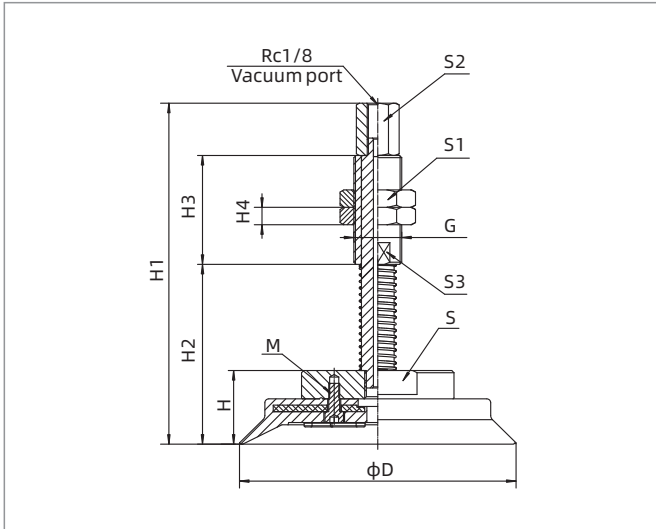
Selection-Lateral direction

Model	Buffer stroke			
	25	50	75	100
SH40□	SH40□-E25LR1-M18	SH40□-E50LR1-M18	SH40□-E75LR1-M18	-
SH50□	SH50□-E25LR1-M18	SH50□-E50LR1-M18	SH50□-E75LR1-M18	-
SH63□	SH63□-E25LR1-M18	SH63□-E50LR1-M18	SH63□-E75LR1-M18	-
SH80□	SH80□-E25LR1-M18	SH80□-E50LR1-M18	SH80□-E75LR1-M18	-
SH100□	SH100□-E25LR1-M22	SH100□-E50LR1-M22	SH100□-E75LR1-M22	SH100□-E100LR1-M22
SH125□	SH125□-E25LR1-M22	SH125□-E50LR1-M22	SH125□-E75LR1-M22	SH125□-E100LR1-M22

SH Series

Suction Cup with Level Compensator

Dimensions(mm)



SH40-125 Vertical direction

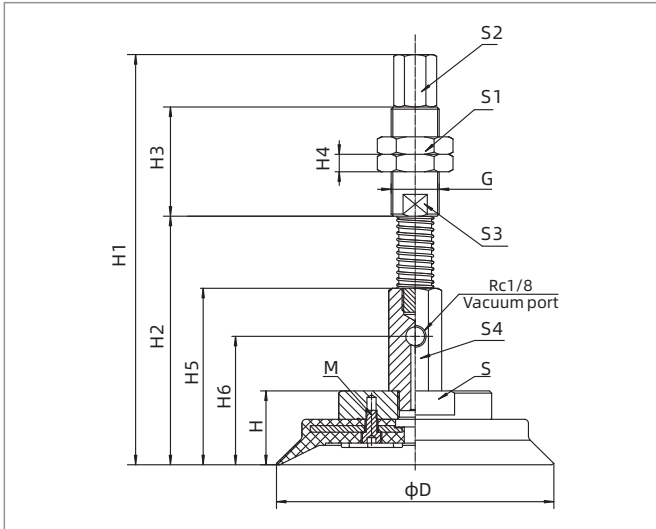
Model/Size	D	H	H1	H2	H3	H4	G	M	S	S1	S2	S3
SH40□-E25-M18	42	23	118.5	63	35	6	M18×1.5	3-M3	24	27	14	16
SH40□-E50-M18	42	23	153.5	98	35	6	M18×1.5	3-M3	24	27	14	16
SH40□-E75-M18	42	23	189.5	134	35	6	M18×1.5	3-M3	24	27	14	16
SH50□-E25-M18	52	23	118.5	63	35	6	M18×1.5	3-M3	24	27	14	16
SH50□-E50-M18	52	23	153.5	98	35	6	M18×1.5	3-M3	24	27	14	16
SH50□-E75-M18	52	23	189.5	134	35	6	M18×1.5	3-M3	24	27	14	16
SH63□-E25-M18	65	26	121.5	66	35	6	M18×1.5	4-M4	37	27	14	16
SH63□-E50-M18	65	26	156.5	101	35	6	M18×1.5	4-M4	37	27	14	16
SH63□-E75-M18	65	26	192.5	137	35	6	M18×1.5	4-M4	37	27	14	16
SH80□-E25-M18	82	28	123.5	68	35	6	M18×1.5	4-M4	37	27	14	16
SH80□-E50-M18	82	28	158.5	103	35	6	M18×1.5	4-M4	37	27	14	16
SH80□-E75-M18	82	28	194.5	139	35	6	M18×1.5	4-M4	37	27	14	16
SH100□-E25-M22	103	34	152	78	50	8	M22×1.5	4-M5	60	30	17	19
SH100□-E50-M22	103	34	188	114	50	8	M22×1.5	4-M5	60	30	17	19
SH100□-E75-M22	103	34	228	154	50	8	M22×1.5	4-M5	60	30	17	19
SH100□-E100-M22	103	34	263	189	50	8	M22×1.5	4-M5	60	30	17	19
SH125□-E25-M22	127	34	152	78	50	8	M22×1.5	4-M5	60	30	17	19
SH125□-E50-M22	127	34	188	114	50	8	M22×1.5	4-M5	60	30	17	19
SH125□-E75-M22	127	34	228	154	50	8	M22×1.5	4-M5	60	30	17	19
SH125□-E100-M22	127	34	263	189	50	8	M22×1.5	4-M5	60	30	17	19

- SZ
- SP3
- SUF
- SAN
- SAO
- SOFA
- STP
- SFT
- SFA
- SBT
- SBL
- SBLP
- SBS
- SFP
- SBP
- SXP
- SGP
- SBOF
- STC
- SFF
- SOB
- SOF
- SOG
- SFM
- SOM
- SBF
- SDM
- SFU
- SFK
- SHT
- SDL
- SFG
- SFGT
- SFD
- SB
- SBA
- SF
- SU
- SP2F
- SPA
- SPD
- SPF
- SPC
- SPJ
- SPU
- SH**
- SHB
- SBB
- SOP
- SNP

SH Series

Suction Cup with Level Compensator

Dimensions(mm)



SH40-125 Lateral direction

Model/Size	D	H	H1	H2	H3	H4	H5	H6	G	M	S	S1	S2	S3	S4
SH40□-E25LR1-M18	42	23	151	100	35	6	60	38	M18×1.5	3-M3	24	27	14	16	21
SH40□-E50LR1-M18	42	23	186	135	35	6	60	38	M18×1.5	3-M3	24	27	14	16	21
SH40□-E75LR1-M18	42	23	222	171	35	6	60	38	M18×1.5	3-M3	24	27	14	16	21
SH50□-E25LR1-M18	52	23	151	100	35	6	60	38	M18×1.5	3-M3	24	27	14	16	21
SH50□-E50LR1-M18	52	23	186	135	35	6	60	38	M18×1.5	3-M3	24	27	14	16	21
SH50□-E75LR1-M18	52	23	222	171	35	6	60	38	M18×1.5	3-M3	24	27	14	16	21
SH63□-E25LR1-M18	65	26	154	103	35	6	63	41	M18×1.5	4-M4	37	27	14	16	21
SH63□-E50LR1-M18	65	26	189	136	35	6	63	41	M18×1.5	4-M4	37	27	14	16	21
SH63□-E75LR1-M18	65	26	225	172	35	6	63	41	M18×1.5	4-M4	37	27	14	16	21
SH80□-E25LR1-M18	82	28	156	105	35	6	63	41	M18×1.5	4-M4	37	27	14	16	21
SH80□-E50LR1-M18	82	28	191	138	35	6	63	41	M18×1.5	4-M4	37	27	14	16	21
SH80□-E75LR1-M18	82	28	227	174	35	6	63	41	M18×1.5	4-M4	37	27	14	16	21
SH100□-E25LR1-M22	103	34	186	115	50	8	71	49	M22×1.5	4-M5	60	30	17	19	21
SH100□-E50LR1-M22	103	34	222	151	50	8	71	49	M22×1.5	4-M5	60	30	17	19	21
SH100□-E75LR1-M22	103	34	262	191	50	8	71	49	M22×1.5	4-M5	60	30	17	19	21
SH100□-E100LR1-M22	103	34	297	226	50	8	71	49	M22×1.5	4-M5	60	30	17	19	21
SH125□-E25LR1-M22	127	34	186	115	50	8	71	49	M22×1.5	4-M5	60	30	17	19	21
SH125□-E50LR1-M22	127	34	222	151	50	8	71	49	M22×1.5	4-M5	60	30	17	19	21
SH125□-E75LR1-M22	127	34	262	191	50	8	71	49	M22×1.5	4-M5	60	30	17	19	21
SH125□-E100LR1-M22	127	34	297	226	50	8	71	49	M22×1.5	4-M5	60	30	17	19	21

SHB Series

Heavy Load Bellows Suction Cup

AIRBEST



METAL SHEET



WOOD



HEAVY LOAD



CURVED SURFACE



Suction Cup

Features

- ◇ 1.5 bellows
- ◇ Split structure design
- ◇ Available in various sizes

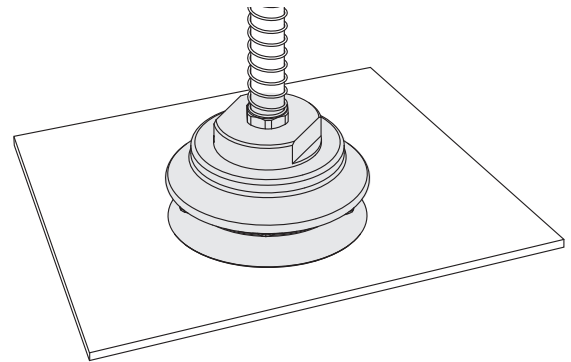
Advantages

- ◇ Contacting perfectly with unven surface of workpieces and good buffering
- ◇ Wearing parts can be replaced, and suction cup can be recycled to highly reduce cost
- ◇ Suitable for workpieces of various sizes and shapes

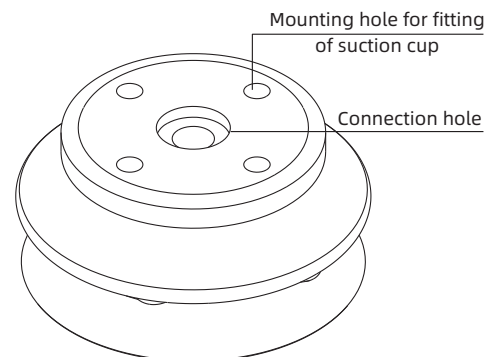


Applications

- ◇ Handling of large workpieces with unven and irregular surface, such as wood boards, steel plates and heavy workpieces



Structure



SZ
SP3
SUF
SAN
SAO
SOFA
STP
SFT
SFA
SBT
SBL
SBLP
SBS
SFP
SBP
SXP
SGP
SBOF
STC
SFF
SOB
SOF
SOG
SFM
SOM
SBF
SDM
SFU
SFK
SHT
SDL
SFG
SFGT
SFD
SB
SBA
SF
SU
SP2F
SPA
SPD
SPF
SPC
SPJ
SPU
SH
SHB
SBB
SOP
SNP

SHB Series

Heavy Load Bellows Suction Cup

How to order

SHB 40 N

① ② ③

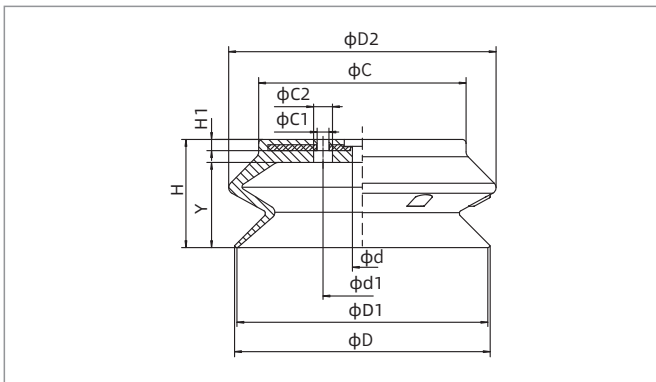
① Series	② Diameter		③ Material & Hardness
SHB	40 - ϕ 40mm	80 - ϕ 80mm	N - NBR 55
	50 - ϕ 50mm	100 - ϕ 100mm	WS - White silicone 50
	63 - ϕ 63mm	125 - ϕ 125mm	

Technical parameters

Model	Pull-out force N	Inner volume cm ³	Weight g	Recommended hose dia. mm	MPQ pcs
SHB40	56	15	16.1	8	1
SHB50	88	27	30	8	1
SHB63	140	45	57.9	8	1
SHB80	226	98	75.3	8	1
SHB100	353	240	197.9	10	1
SHB125	552	384	379.6	10	1

◇ Note: Testing vacuum level -60kPa, workpiece with smooth and clean surface. The data of pull-out force as above are figured out without considering safety factor. The data may be different according to different workpiece surfaces. Recommend the length of vacuum hose to be as short as possible, max 2m.

Dimensions(mm)



SHB40-125

Model/Size	D	D1	D2	d	d1	H	H1	C	C1	C2	Y
SHB40□	41.5	40	43.2	6	18	20.5	3.5	30	3- ϕ 4	3- ϕ 6.5	13
SHB50□	52	50	54	6	18	24	3.5	40.5	3- ϕ 4	3- ϕ 6.5	16.5
SHB63□	65	63	67.5	8	34	31.5	4.5	50	4- ϕ 5	4- ϕ 8	21.5
SHB80□	83	80	85	8	34	37	5	64	4- ϕ 5	4- ϕ 8	27.5
SHB100□	103	100	106.5	10	40	47.5	6	80	4- ϕ 6	4- ϕ 9.5	35.5
SHB125□	128.5	125	135	10	40	56	6	105	4- ϕ 6	4- ϕ 9.5	44

◇ Note: The dimensional tolerance conforms to the GBT 3672.1-2002-1 M3 rubber product dimensional tolerance standard

SHB Series

Suction Cup with Locking Fitting

Structure

- ◇ Consisting of suction cup and locking fitting, 3 types of connection
- ◇ FIG.1: Vertical vacuum port, female thread connection
- ◇ FIG.2: Vertical vacuum port, male thread connection
- ◇ FIG.3: Lateral vacuum port, female thread connection



- SZ
- SP3
- SUF
- SAN
- SAO
- SOFA
- STP
- SFT
- SFA
- SBT
- SBL
- SBLP
- SBS
- SFP
- SBP
- SXP
- SGP
- SBOF
- STC
- SFF
- SOB
- SOF
- SOG
- SFM
- SOM
- SBF
- SDM
- SFU
- SFK
- SHT
- SDL
- SFG
- SFGT
- SFD
- SB
- SBA
- SF
- SU
- SP2F
- SPA
- SPD
- SPF
- SPC
- SPJ
- SPU
- SH
- SHB**
- SBB
- SOP
- SNP

How to order

SHB50N - LR1 - M10F
 ① ② ③

① Model	② Vacuum port direction	③ Connection thread
SHB50N	Nil - Vertical, female thread connection R1 - Vertical, male thread connection LR1 - Lateral, female thread connection	M10F - M10×1.5 female thread M12F - M12×1.75 female thread G2F - G1/4 female thread G3F - G3/8 female thread M14M - M14×1 male thread M16M - M16×1.5 male thread

◇ Please refer to page 342 for suction cup selection

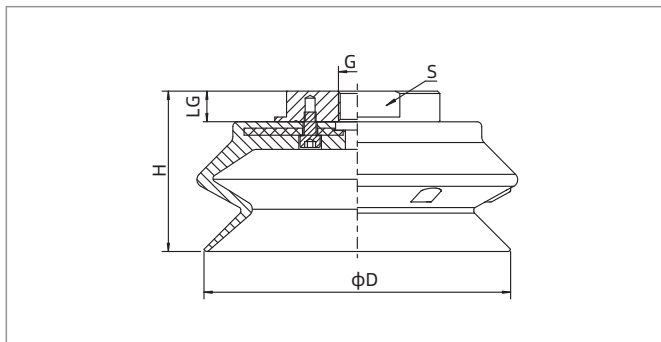
Selection

Model	Vacuum port direction			
	Nil		R1	LR1
SHB40□	SHB40□-M10F	SHB40□-G2F	SHB40□-R1-M14M	SHB40□-LR1-M10F
SHB50□	SHB50□-M10F	SHB50□-G2F	SHB50□-R1-M14M	SHB50□-LR1-M10F
SHB63□	SHB63□-M10F	SHB63□-G2F	SHB63□-R1-M16M	SHB63□-LR1-M10F
SHB80□	SHB80□-M10F	SHB80□-G2F	SHB80□-R1-M16M	SHB80□-LR1-M10F
SHB100□	SHB100□-M12F	SHB100□-G3F	SHB100□-R1-M16M	SHB100□-LR1-M10F
SHB125□	SHB125□-M12F	SHB125□-G3F	SHB125□-R1-M16M	SHB125□-LR1-M10F

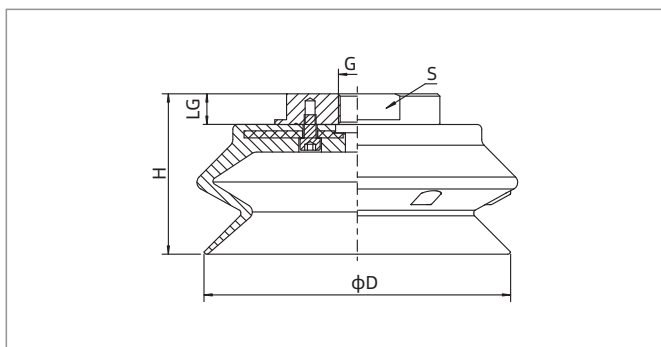
SHB Series

Suction Cup with Locking Fitting

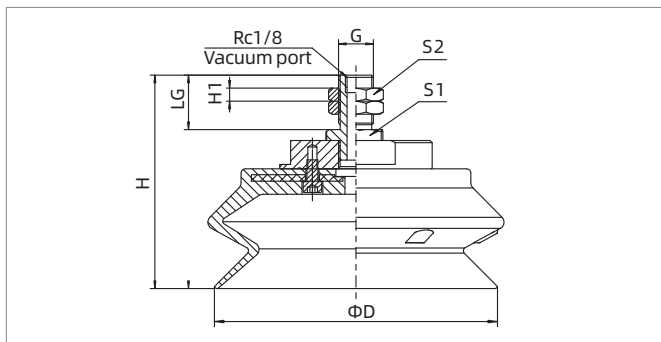
Dimensions(mm)



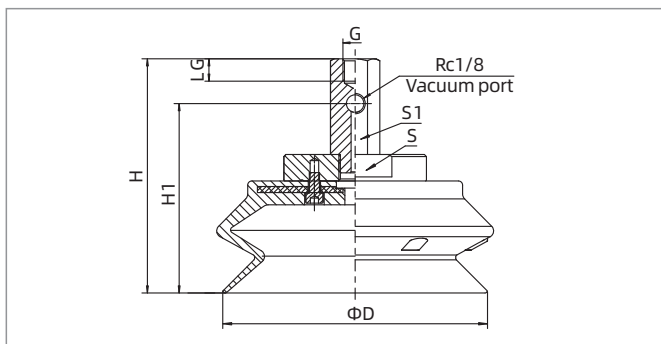
SHB40-125 Vertical, female thread connection



SHB40-125 Vertical, female thread connection



SHB40-125 Vertical, male thread connection



SHB40-125 Lateral, female thread connection

Model/Size	D	H	G	LG	S
SHB40□-G2F	41.5	32	G1/4	11.5	24
SHB50□-G2F	52	35.5	G1/4	11.5	24
SHB63□-G2F	65	43	G1/4	11.5	37
SHB80□-G2F	83	48.5	G1/4	11.5	37
SHB100□-G3F	103	60.5	G3/8	13	60
SHB125□-G3F	128.5	69	G3/8	13	60

Model/Size	D	H	G	LG	S
SHB40□-M10F	41.5	32	M10×1.5	11.5	24
SHB50□-M10F	52	35.5	M10×1.5	11.5	24
SHB63□-M10F	65	43	M10×1.5	11.5	37
SHB80□-M10F	83	48.5	M10×1.5	11.5	37
SHB100□-M12F	103	60.5	M12×1.75	13	60
SHB125□-M12F	128.5	69	M12×1.75	13	60

Model/Size	D	H	H1	G	LG	S1	S2
SHB40□-R1-M14M	41.5	62	5	M14×1	25	19	19
SHB50□-R1-M14M	52	65.5	5	M14×1	25	19	19
SHB63□-R1-M16M	65	73	6	M16×1.5	25	24	22
SHB80□-R1-M16M	83	78.5	6	M16×1.5	25	24	22
SHB100□-R1-M16M	103	90.5	6	M16×1.5	25	24	22
SHB125□-R1-M16M	128.5	99	6	M16×1.5	25	24	22

Model/Size	D	H	H1	G	LG	S	S1
SHB40□-LR1-M10F	41.5	69	47	M10×1.5	11	24	21
SHB50□-LR1-M10F	52	72.5	50.5	M10×1.5	11	24	21
SHB63□-LR1-M10F	65	80	58	M10×1.5	11	37	21
SHB80□-LR1-M10F	83	85.5	63.5	M10×1.5	11	37	21
SHB100□-LR1-M10F	103	97.5	75.5	M10×1.5	11	60	21
SHB125□-LR1-M10F	128.5	106	84	M10×1.5	11	60	21

SHB Series

Suction Cup with Level Compensator

Structure

- ◇ Consisting of suction cup and level compensator, 2 types of vacuum connection
- ◇ External spring and 2pcs mounting nuts
- ◇ Vacuum port connection: Rc1/8 female thread
- ◇ FIG.1 vertical vacuum port, FIG.2 lateral vacuum port



- SZ
- SP3
- SUF
- SAN
- SAO
- SOFA
- STP
- SFT
- SFA
- SBT
- SBL
- SBLP
- SBS
- SFP
- SBP
- SGP
- SBOF
- STC
- SFF
- SOB
- SOE
- SOG
- SFM
- SOM
- SBF
- SDM
- SFU
- SFK
- SHT
- SDL
- SFG
- SFGT
- SFD
- SB
- SBA
- SF
- SU
- SP2F
- SPA
- SPD
- SPF
- SPC
- SPJ
- SPU
- SH
- SHB**
- SBB
- SOP
- SNP

How to order

SHB50N - E 25 LR1 - M18

① ② ③ ④ ⑤

① Model	② Buffer type	③ Buffer stroke	④ Vacuum port direction	⑤ Mounting thread
SHB50N	E - External spring	25	Nil - Vertical	M18 - M18x1.5
		50	LR1 - Lateral	M22 - M22x1.5
		75		
		100		

◇ Please refer to page 342 for suction cup selection

Selection - Vertical direction

Model	Buffer stroke			
	25	50	75	100
SHB40□	SHB40□-E25-M18	SHB40□-E50-M18	SHB40□-E75-M18	-
SHB50□	SHB50□-E25-M18	SHB50□-E50-M18	SHB50□-E75-M18	-
SHB63□	SHB63□-E25-M18	SHB63□-E50-M18	SHB63□-E75-M18	-
SHB80□	SHB80□-E25-M18	SHB80□-E50-M18	SHB80□-E75-M18	-
SHB100□	SHB100□-E25-M22	SHB100□-E50-M22	SHB100□-E75-M22	SHB100□-E100-M22
SHB125□	SHB125□-E25-M22	SHB125□-E50-M22	SHB125□-E75-M22	SHB125□-E100-M22

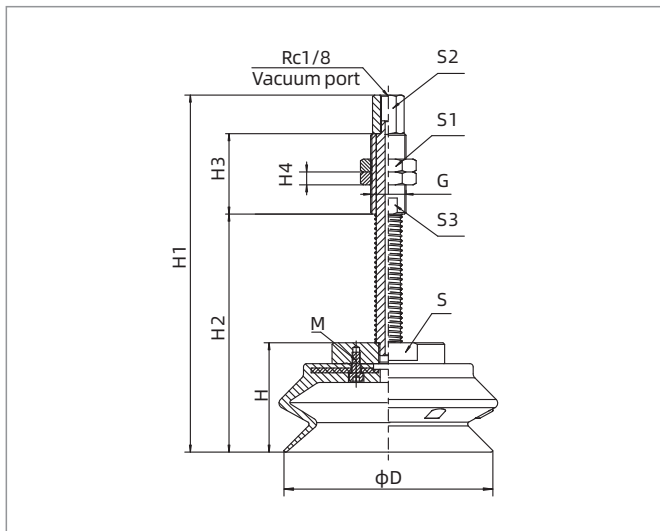
Selection - Lateral direction

Model	Buffer stroke			
	25	50	75	100
SHB40□	SHB40□-E25LR1-M18	SHB40□-E50LR1-M18	SHB40□-E75LR1-M18	-
SHB50□	SHB50□-E25LR1-M18	SHB50□-E50LR1-M18	SHB50□-E75LR1-M18	-
SHB63□	SHB63□-E25LR1-M18	SHB63□-E50LR1-M18	SHB63□-E75LR1-M18	-
SHB80□	SHB80□-E25LR1-M18	SHB80□-E50LR1-M18	SHB80□-E75LR1-M18	-
SHB100□	SHB100□-E25LR1-M22	SHB100□-E50LR1-M22	SHB100□-E75LR1-M22	SHB100□-E100LR1-M22
SHB125□	SHB125□-E25LR1-M22	SHB125□-E50LR1-M22	SHB125□-E75LR1-M22	SHB125□-E100LR1-M22

SHB Series

Suction Cup with Level Compensator

Dimensions(mm)



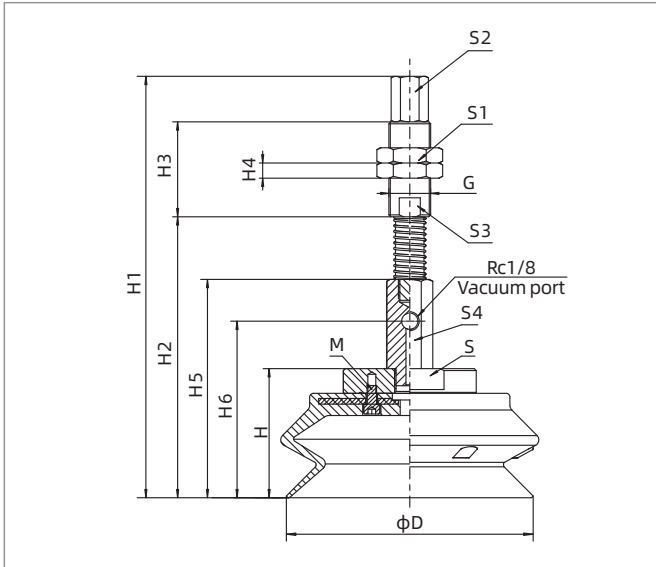
SHB40-125 Vertical direction

Model/Size	D	H	H1	H2	H3	H4	G	M	S	S1	S2	S3
SHB40□-E25-M18	41.5	32	127.5	70	35	6	M18×1.5	3-M3	24	27	14	16
SHB40□-E50-M18	41.5	32	162.5	107	35	6	M18×1.5	3-M3	24	27	14	16
SHB40□-E75-M18	41.5	32	198.5	143	35	6	M18×1.5	3-M3	24	27	14	16
SHB50□-E25-M18	52	35.5	131	75.5	35	6	M18×1.5	3-M3	24	27	14	16
SHB50□-E50-M18	52	35.5	166	110.5	35	6	M18×1.5	3-M3	24	27	14	16
SHB50□-E75-M18	52	35.5	202	146.5	35	6	M18×1.5	3-M3	24	27	14	16
SHB63□-E25-M18	65	43	138.5	83	35	6	M18×1.5	4-M4	37	27	14	16
SHB63□-E50-M18	65	43	173.5	118	35	6	M18×1.5	4-M4	37	27	14	16
SHB63□-E75-M18	65	43	209.5	154	35	6	M18×1.5	4-M4	37	27	14	16
SHB80□-E25-M18	83	48.5	144	88.5	35	6	M18×1.5	4-M4	37	27	14	16
SHB80□-E50-M18	83	48.5	179	123.5	35	6	M18×1.5	4-M4	37	27	14	16
SHB80□-E75-M18	83	48.5	215	159.5	35	6	M18×1.5	4-M4	37	27	14	16
SHB100□-E25-M22	103	60.5	178.5	104.5	50	8	M22×1.5	4-M5	60	30	17	19
SHB100□-E50-M22	103	60.5	214.5	140.5	50	8	M22×1.5	4-M5	60	30	17	19
SHB100□-E75-M22	103	60.5	254.5	180.5	50	8	M22×1.5	4-M5	60	30	17	19
SHB100□-E100-M22	103	60.5	289.5	215.5	50	8	M22×1.5	4-M5	60	30	17	19
SHB125□-E25-M22	128.5	69	187	113	50	8	M22×1.5	4-M5	60	30	17	19
SHB125□-E50-M22	128.5	69	223	149	50	8	M22×1.5	4-M5	60	30	17	19
SHB125□-E75-M22	128.5	69	263	189	50	8	M22×1.5	4-M5	60	30	17	19
SHB125□-E100-M22	128.5	69	298	224	50	8	M22×1.5	4-M5	60	30	17	19

SHB Series

Suction Cup with Level Compensator

Dimensions(mm)



SHB40-125 Lateral direction

Model/Size	D	H	H1	H2	H3	H4	H5	H6	G	M	S	S1	S2	S3	S4
SHB40□-E25LR1-M18	41.5	32	160	109	35	6	69	47	M18×1.5	3-M3	24	27	14	16	21
SHB40□-E50LR1-M18	41.5	32	195	144	35	6	69	47	M18×1.5	3-M3	24	27	14	16	21
SHB40□-E75LR1-M18	41.5	32	231	180	35	6	69	47	M18×1.5	3-M3	24	27	14	16	21
SHB50□-E25LR1-M18	52	35.5	163.5	112.5	35	6	72.5	50.5	M18×1.5	3-M3	24	27	14	16	21
SHB50□-E50LR1-M18	52	35.5	198.5	147.5	35	6	72.5	50.5	M18×1.5	3-M3	24	27	14	16	21
SHB50□-E75LR1-M18	52	35.5	234.5	183.5	35	6	72.5	50.5	M18×1.5	3-M3	24	27	14	16	21
SHB63□-E25LR1-M18	65	43	171	120	35	6	80	58	M18×1.5	4-M4	37	27	14	16	21
SHB63□-E50LR1-M18	65	43	206	155	35	6	80	58	M18×1.5	4-M4	37	27	14	16	21
SHB63□-E75LR1-M18	65	43	242	191	35	6	80	58	M18×1.5	4-M4	37	27	14	16	21
SHB80□-E25LR1-M18	83	48.5	176.5	125.5	35	6	85.5	63.5	M18×1.5	4-M4	37	27	14	16	21
SHB80□-E50LR1-M18	83	48.5	211.5	160.5	35	6	85.5	63.5	M18×1.5	4-M4	37	27	14	16	21
SHB80□-E75LR1-M18	83	48.5	247.5	196.5	35	6	85.5	63.5	M18×1.5	4-M4	37	27	14	16	21
SHB100□-E25LR1-M22	103	60.5	212.5	141.5	50	8	97.5	75.5	M22×1.5	4-M5	60	30	17	19	21
SHB100□-E50LR1-M22	103	60.5	248.5	177.5	50	8	97.5	75.5	M22×1.5	4-M5	60	30	17	19	21
SHB100□-E75LR1-M22	103	60.5	288.5	217.5	50	8	97.5	75.5	M22×1.5	4-M5	60	30	17	19	21
SHB100□-E100LR1-M22	103	60.5	323.5	252.5	50	8	97.5	75.5	M22×1.5	4-M5	60	30	17	19	21
SHB125□-E25LR1-M22	128.5	69	221	150	50	8	106	84	M22×1.5	4-M5	60	30	17	19	21
SHB125□-E50LR1-M22	128.5	69	257	186	50	8	106	84	M22×1.5	4-M5	60	30	17	19	21
SHB125□-E75LR1-M22	128.5	69	297	226	50	8	106	84	M22×1.5	4-M5	60	30	17	19	21
SHB125□-E100LR1-M22	128.5	69	332	261	50	8	106	84	M22×1.5	4-M5	60	30	17	19	21

- SZ
- SP3
- SUF
- SAN
- SAO
- SOFA
- STP
- SFT
- SFA
- SBT
- SBL
- SBLP
- SBS
- SFP
- SBP
- SXP
- SGP
- SBOF
- STC
- SFF
- SOB
- SOF
- SOG
- SFM
- SOM
- SBF
- SDM
- SFU
- SFK
- SHT
- SDL
- SFG
- SFGT
- SFD
- SB
- SBA
- SF
- SU
- SP2F
- SPA
- SPD
- SPF
- SPC
- SPJ
- SPU
- SH
- SHB**
- SBB
- SOP
- SNP

SBB Series

1.5 Bellows Big Suction Cup

AIRBEST



Features

- ◇ 1.5 Bellows
- ◇ Large area pattern support structure at bottom
- ◇ Rubber parts and metal connection plate are one-piece structure
- ◇ Suction cups with large diameter

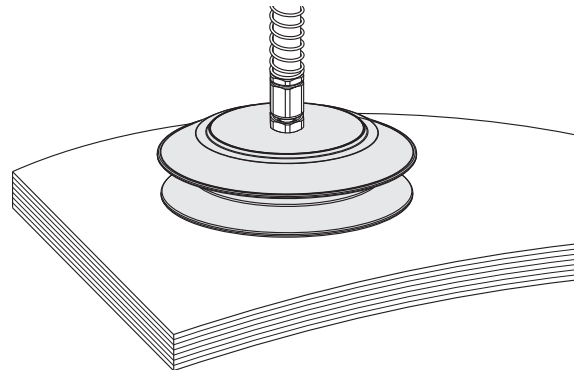
Advantages

- ◇ Easy to fit uneven surface of workpiece, and had buffer effect
- ◇ Handling thin workpiece without permanent deformation
- ◇ It will be more reliable and stable during heavy load handling
- ◇ Suitable for handling large, heavy and vulnerable workpieces



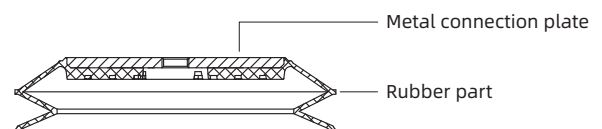
Applications

- ◇ Handling paper, metal sheet, wood plate, ceramic, etc.
- ◇ Handling workpieces with uneven surface



Structure

- ◇ One-piece structure design of suction cup and fitting
- ◇ Metal connection plate of SBB200 is with G1/2 female thread connection port
- ◇ Metal connection plate of SBB250-SBB300 is without thread hole, and it is flange plate connection structure



SBB Series

1.5 Bellows Big Suction Cup

How to order

SBB 200 N - G4F

① ② ③ ④

① Series	② Diameter	③ Material & Hardness	④ Connection thread
SBB	200 - ϕ 200mm 250 - ϕ 250mm 300 - ϕ 300mm	N - NBR 60	Nil - 4- ϕ 7 flange hole G4F - G1/2 female thread

Selection

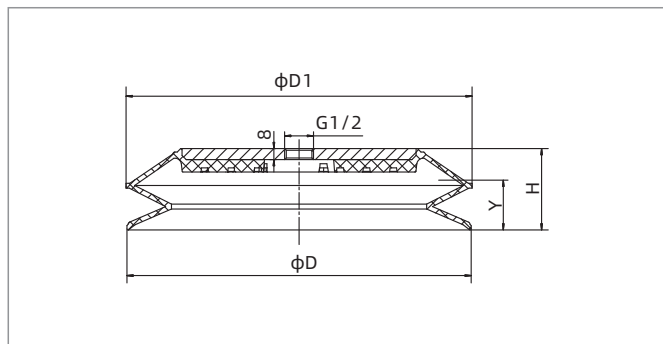
Model/Connection thread Nil - 4- ϕ 7 flange hole	F - Female thread
-	SBB200N-G4F
SBB250N	-
SBB300N	-

Technical parameters

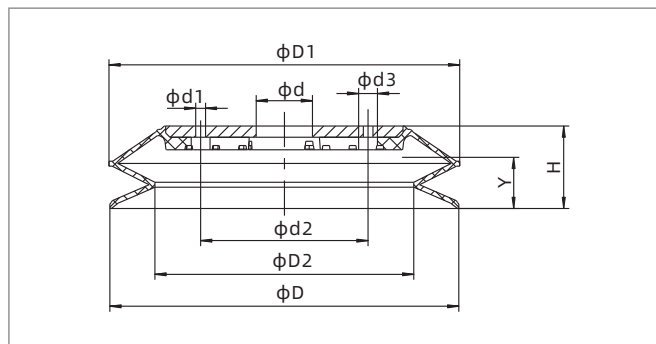
Model	Pull-out force N	Inner volume cm ³	Min. curve radius of workpiece mm	Weight g	Recommend hose dia. mm	MPQ pcs
SBB200	850	790	350	860	12	1
SBB250	1,620	1,677	480	1,012	12	1
SBB300	2,390	2,950	580	1,650	12	1

◇ Note: Testing vacuum level -60kPa, workpiece with smooth and clean surface. The data of pull-out force as above are figured out without considering safety factor. The data may be different according to different workpiece surfaces. Recommend the length of vacuum hose to be as short as possible, max 2m.

Dimensions(mm)



SBB200N-G4F



SBB□N

Model/Size	D	D1	H	d	d1	d2	d3	Y
SBB200□-G4F	200	206	57	-	-	-	-	40
SBB250□	250	251	60	40	4-7	120	4-13.5	43
SBB300□	300	306	77	40	4-7	120	4-13.5	57

◇ Note: The dimensional tolerance conforms to GB/T3672.1-2002-1 M3 rubber product dimensional tolerance standard

SOP Series

Circular Foam Rubber Suction Cup

AIRBEST



STONE



ROUGH SURFACE



Features

- ◇ Annular foam rubber
- ◇ Metal support plate
- ◇ NF(black) for Neoprene foam rubber, OF(orange) for Geranium foam rubber
- ◇ Available in various sizes

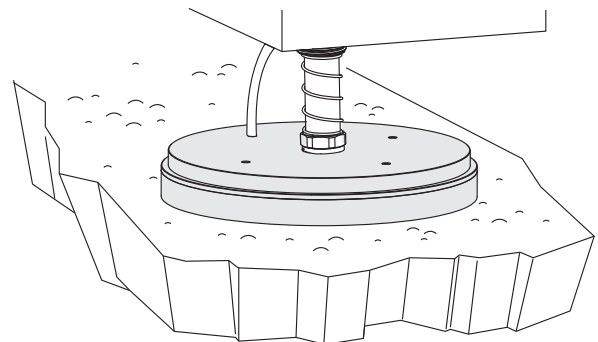
Advantages

- ◇ Long lifetime, good sealing and large suction force
- ◇ Large area support plate, light weight and high load
- ◇ NF and OF material optional for different working conditions
- ◇ Suitable for workpieces of various sizes and shapes



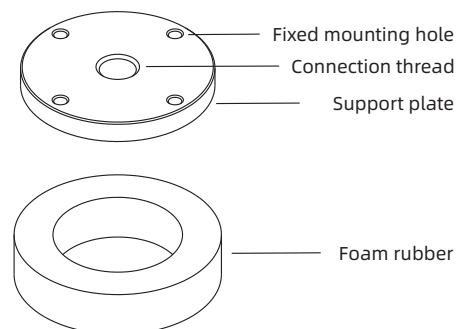
Applications

- ◇ Handling of workpieces with very rough or uneven surface such as buckle plate, embossed plate, marble, tile, cement board and grid metal plate
- ◇ NF for workpieces with rough surface and outdoor use. Good weather and ozone resistance, but poor in yield elasticity and not suitable for food industry.
- ◇ OF for workpieces with very rough surface. Good yield elasticity, wear resistance, tear resistance, high cut resistance and good ductility, but poor in oil resistance, heat resistance and aging resistance, not suitable for food industry.
- ◇ Pay attention to the use of water and oil environment
- ◇ It is recommended to use large flow vacuum generator
- ◇ For the use of the sponge suction cup, please refer to General Precautions on Page 24



Structure

- ◇ Consisting of metal support plate and foam rubber. Foam rubber is with gum, which can stick to the support plate directly. Foam rubber is consumable, which can be ordered separately for replacement



SOP Series

Circular Foam Rubber Suction Cup

How to order

SOP 64 NF - G2F

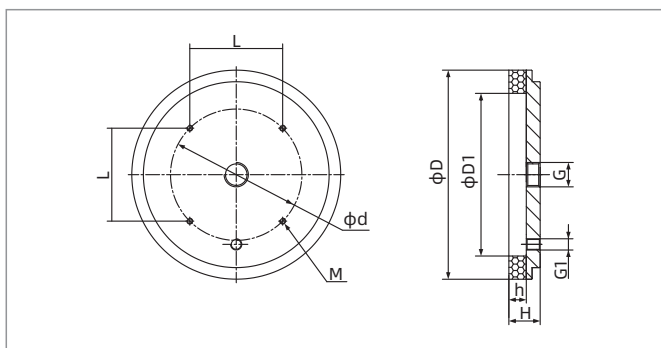
① ② ③ ④

① Series	② Diameter	③ Material	④ Connection thread
SOP	40 - ϕ 40mm	127 - ϕ 127mm	Nil - Foam rubber only
	64 - ϕ 64mm	180 - ϕ 180mm	G2F - G1/4 female thread
	92 - ϕ 92mm	220 - ϕ 220mm	G3F - G3/8 female thread G4F - G1/2 female thread
		NF - Neoprene foam rubber 	
		OF - Geranium foam rubber 	

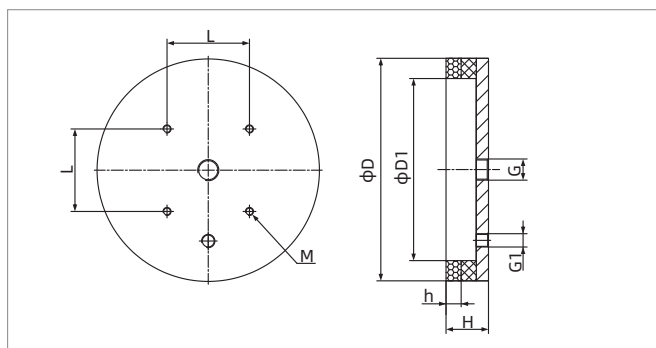
Selection

Model	Connection thread G2F	G3F	G4F	MPQ pcs
SOP40□	SOP40□-G2F	-	-	1
SOP64□	SOP64□-G2F	-	-	1
SOP92□	-	SOP92□-G3F	-	1
SOP127□	-	-	SOP127□-G4F	1
SOP180□	-	-	SOP180□-G4F	1
SOP220□	-	-	SOP220□-G4F	1

Dimensions(mm)



SOP40-180



SOP220

Model/Size	D	D1	H	h	G	G1	d	L	M	Weight g	Pull-out force N
SOP40□-G2F	40	20	25	15	G1/4	-	-	-	-	34.9	7.8
SOP64□-G2F	64	40	25	15	G1/4	-	40	-	-	82.1	35
SOP92□-G3F	92	64	26	15	G3/8	-	70	-	4-M5×0.8depth6	191.1	85
SOP127□-G4F	127	92	30	15	G1/2	G1/8	-	70	4-M5×0.8depth6	482.1	175
SOP180□-G4F	180	127	27	15	G1/2	G1/8	-	80	4-M5×0.8depth6	754.1	385
SOP220□-G4F	220	180	42	15	G1/2	G1/4	-	85	4-M8×1.25depth6	1570.9	635

◇ Note: 1. Testing vacuum level -60kPa, workpiece with smooth and clean surface. The data of pull-out force as above are figured out without considering safety factor. The data may be different according to different workpiece surfaces. Recommend the length of vacuum hose to be as short as possible, max 2m.
2. The dimensional tolerance conforms to GBT 3672.1-2002-1 M3 rubber product dimensional tolerance standard

SZ
SP3
SUF
SAN
SAO
SOFA
STP
SFT
SFA
SBT
SBL
SBLP
SBS
SFP
SBP
SXP
SGP
SBOF
STC
SFF
SOB
SOF
SOG
SFM
SOM
SBF
SDM
SFU
SFK
SHT
SDL
SFG
SFGT
SFD
SB
SBA
SF
SU
SP2F
SPA
SPD
SPF
SPC
SPJ
SPU
SH
SHB
SBB
SOP
SNP

SNP Series

Rectangular Foam Rubber Suction Cup



STONE



ROUGH SURFACE

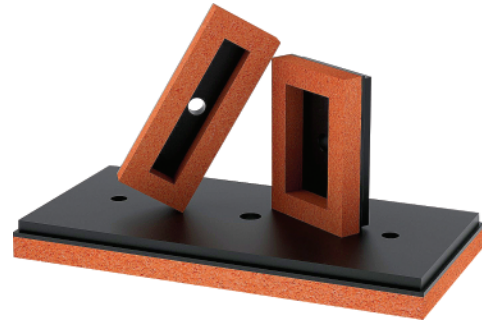


Features

- ◇ Annular foam rubber
- ◇ Metal support plate
- ◇ NF(black) for Neoprene foam rubber, OF(orange) for Geranium foam rubber
- ◇ Available in various sizes

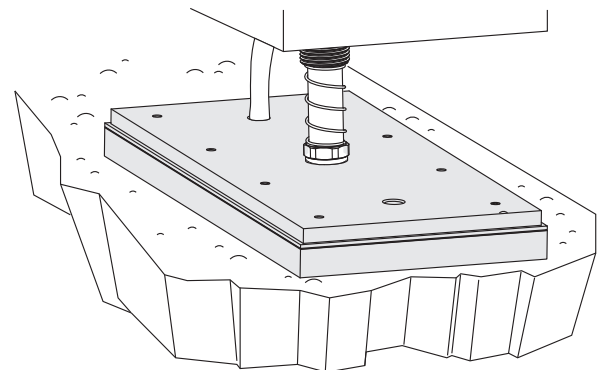
Advantages

- ◇ Long lifetime, good sealing and large suction force
- ◇ Large area support plate with light weight and high load
- ◇ NF and OF material optional for different working conditions
- ◇ Suitable for workpieces of various sizes and shapes



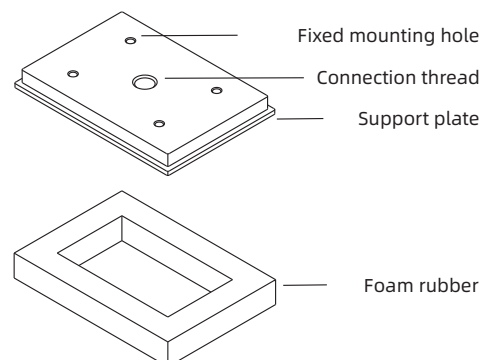
Applications

- ◇ Handling of workpieces with very rough or uneven surface such as buckle plate, embossed plate, marble, tile, cement board and grid metal plate
- ◇ NF for workpieces with rough surface and outdoor use. Good weather and ozone resistance, but poor in yield elasticity and storage stability, not suitable for food industry
- ◇ OF for workpieces with very rough surface. Good yield elasticity, wear resistance, tear resistance, high cut resistance and good ductility, but poor in oil resistance, heat resistance and aging resistance, not suitable for food industry
- ◇ Pay attention to the use of water and oil environment
- ◇ It is recommended to use large flow vacuum generator
- ◇ For the use of the sponge suction cup, please refer to General Precautions on Page 24



Structure

- ◇ Consisting of metal support plate and foam rubber. Foam rubber is with gum, which can stick to the support plate directly. Foam rubber is consumable, which can be ordered separately for replacement



SNP Series

Rectangular Foam Rubber Suction Cup



How to order

SNP 50×135 NF - G2F

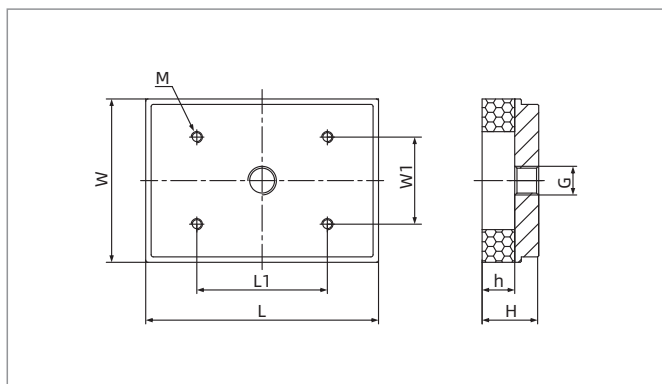
① ② ③ ④

① Series	② Size	③ Material	④ Connection thread
SNP	50×135	NF - Neoprene foam rubber 	Nil - Foam rubber only
	60×135	OF - Geranium foam rubber 	G2F - G1/4 female thread
	75×107		G3F - G3/8 female thread
	68×290		G4F - G1/2 female thread
	140×290		

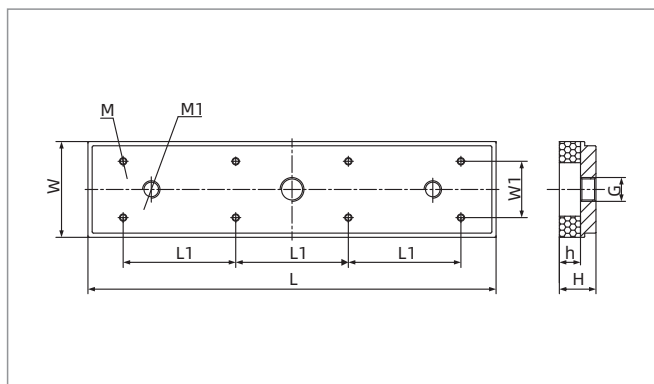
Selection

Model	Connection thread G2F	G3F	G4F	MPQ pcs
SNP50×135□	SNP50×135□-G2F	-	-	1
SNP60×135□	SNP60×135□-G2F	-	-	1
SNP75×107□	SNP75×107□-G2F	-	-	1
SNP68×290□	-	SNP68×290□-G3F	-	1
SNP140×290□	-	-	SNP140×290□-G4F	1

Dimensions(mm)



SNP50×135 SNP60×135 SNP75×107



SNP68×290 SNP140×290

Model/Size	L	W	L1	W1	G	H	h	M	M1	Weight g	Pull-out force N
SNP50×135□-G2F	135	50	80	30	G1/4	26	15	4-M5×0.8depth7	-	202	60
SNP60×135□-G2F	135	60	80	40	G1/4	26	15	4-M5×0.8depth7	-	246	80
SNP75×107□-G2F	107	75	60	40	G1/4	26	15	4-M5×0.8depth7	-	234	90
SNP68×290□-G3F	290	68	80	40	G3/8	26	15	8-M5×0.8depth7	2-M12×1.75	587	250
SNP140×290□-G4F	290	140	80	100	G1/2	26	15	8-M5×0.8depth7	2-M12×1.75	1,235	720

◇ Note: 1. Testing vacuum level -60kPa, workpiece with smooth and clean surface. The data of pull-out force as above are figured out without considering safety factor. The data may be different according to different workpiece surfaces. Recommend the length of vacuum hose to be as short as possible, max 2m.
2. The dimensional tolerance conforms to GBT 3672.1-2002-1 M3 rubber product dimensional tolerance standard

D Special Vacuum Grippers

Special Vacuum Grippers

Products Overview

Special Vacuum Grippers

354 SLG Series

Magnetic Gripper

- ◇ Dia.: 20~50mm
- ◇ Air supply pressure range: 3.5~6.0bar



METAL SHEET



364 SLB Series

Thin Lip Flow Gripper

- ◇ Vacuum level: 4.5~16kPa
- ◇ Vacuum flow: 680~1,315NL/min



ELECTRONICS



NEW ENERGY



POROUS



RoHS

357 SNC Series

Needle Gripper

- ◇ QTY of Needle: 4 10
- ◇ Air consumption: 55~65bar



COMPOSITE MATERIAL



FABRIC MATERIAL



368 SLW Series

Wafer Gripper

- ◇ Vacuum level: 4.5~11kPa
- ◇ Vacuum flow: 330~490NL/min



NEW ENERGY



COMPOSITE MATERIAL



POROUS



RoHS

359 SNT Series

Non-contact Suction Cup

- ◇ Dia.: 20~100mm
- ◇ Suction force: 2~46N



COMPOSITE MATERIAL



POROUS MATERIAL



372 SLF Series

Matrix Gripper

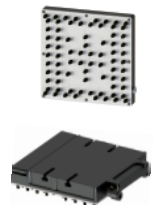
- ◇ Size: 140×140 180×180
- ◇ Vacuum source: external blower, external vacuum generator, built-in vacuum generator



ELECTRONICS



POROUS



361 SLP Series

Flow Gripper

- ◇ Vacuum level: 4.5~11kPa
- ◇ Vacuum flow: 320~1,195NL/min



NEW ENERGY



BATTERY



COMPOSITE MATERIAL



POROUS MATERIAL



RoHS

SLG Series

Magnetic Gripper



METAL SHEET

Features

- ◇ Gripping by magnetic force
- ◇ Permanent magnet for safe gripping
- ◇ Different connection thread for option
- ◇ No need of electric power

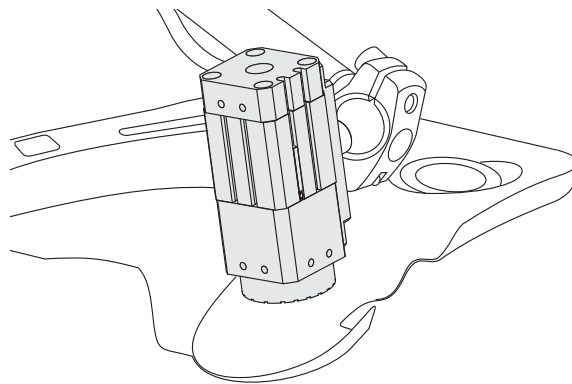
Advantages

- ◇ Compact size, light weight, easy to install
- ◇ Solid and durable
- ◇ Anti-skid ring could be easily replaced



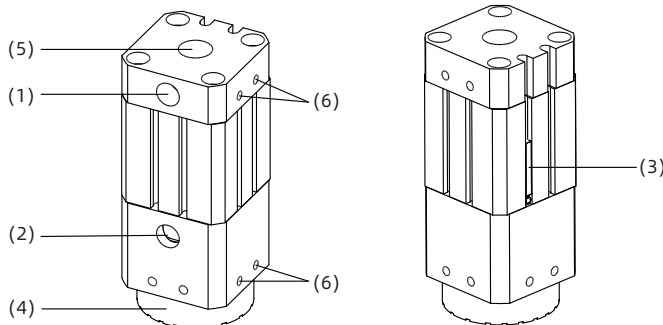
Application

- ◇ Suitable for handling ferromagnetic workpieces
- ◇ Suitable for handling perforated sheet metal, complex laser cutting workpieces



Structure

- ◇ (1) Air supply port (grip)
- ◇ (2) Air supply port (release)
- ◇ (3) The magnetic switch
- ◇ (4) Anti-skid ring
- ◇ (5) Center threaded mounting hole
- ◇ (6) Side threaded mounting hole



SLG Series

Magnetic Gripper

How to order

SLG 40 - G1F

① ② ③

① Series	② Dimension	③ Connection thread
SLG	20 - φ20mm 30 - φ30mm 40 - φ40mm 50 - φ50mm	G1F - G1/8 female thread G2F - G1/4 female thread

Selection

Model	Dia.of suction cup	Connection thread	
		G1F	G2F
SLG	20	●	-
	30	●	-
	40	-	●
	50	-	●

◇ Note: H (high temp. resistance type) cannot select magnetic switch

Technical parameters

Model	Air supply pressure range bar	Working temperature °C	Contact temperature °C	Max. holding force N	Lateral force		Weight g
					Non oily N	Oily N	
SLG20	3.5~6.0	5~70	≤70	17	8	8	90
SLG30	3.5~6.0	5~70	≤70	85	32	23	223
SLG40	3.5~6.0	5~70	≤70	220	81	56	427
SLG50	3.5~6.0	5~70	≤70	380	105	65	795

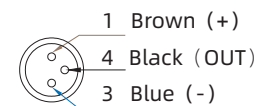
Special Vacuum Grippers

SLG
SNC
SNT
SLP
SLB
SLW
SLF

Model	ZPDM-N	ZPDM-P
Wiring diagram		
Wiring	3 wires	
Switch	Electronic type contactless, NO type	
Output contact type	Contactless, NPN	Contactless, PNP
Voltage range	5~30V DC	
Max. switch current	80mA max.	



M8 male connection type

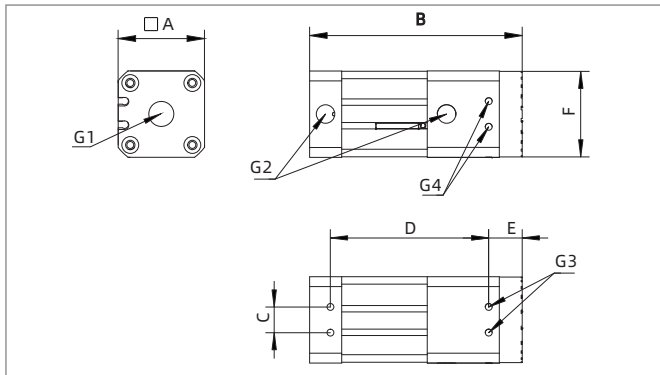


Model	Output mode	Connection type
ZPDM-N	1NPN	Outlet wire connection
ZPDM-P	1PNP	Outlet wire connection
ZPDM-N-M8	1NPN	M8 male connection
ZPDM-P-M8	1PNP	M8 male connection

SLG Series

Magnetic Gripper

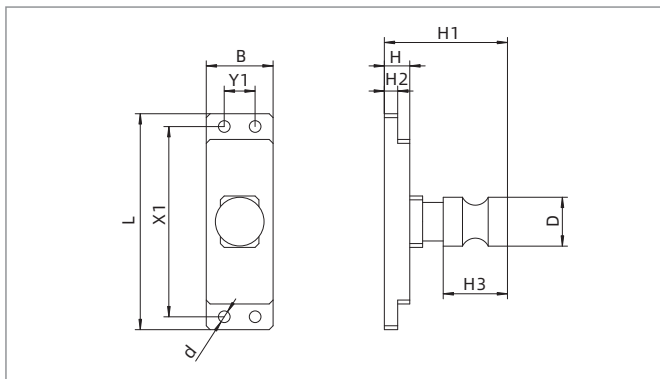
Dimensions(mm)



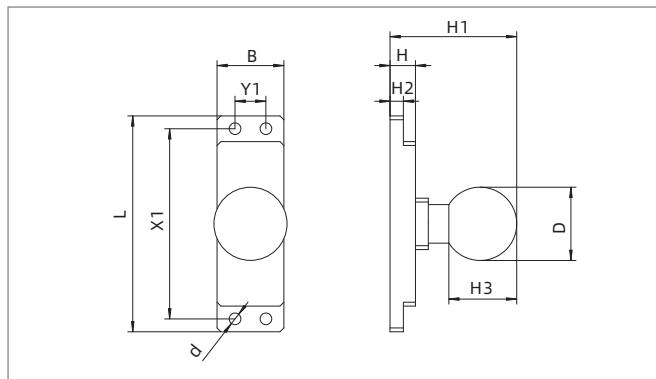
SLG Normal type

Model/Size	A	B	C	D	E	F	G1	G2	G3	G4
SLG20	20	78.2	6.5	55	13.2	20	G1/8	M5×0.8	M3×0.5	M3×0.5
SLG30	30	99.4	12	74	15.7	30	G1/8	G1/8	M4×0.7	M4×0.7
SLG40	40	99.4	12	74	15.7	40	G1/4	G1/8	M4×0.7	M4×0.7
SLG50	50	123.4	15	100	15.7	50	G1/4	G1/8	M5×0.8	M5×0.8

Mounting brackets(mm)



A-Columnar bracket



B-Spherical bracket

Model/Size	L	B	H1	D	H3	H2	H	X1	Y1	d
SLG20-A	63	15	50	19	25	5.2	9.9	55	6.5	3.4
SLG20-B	63	15	49.3	28.5	26.4	5.2	9.9	55	6.5	3.4
SLG30/40-A	84	26	50	19	25	5.2	9.9	74	12	4.6
SLG30/40-B	84	26	49.3	28.5	26.4	5.2	9.9	74	12	4.6
SLG50-A	110	30	50	19	25	5.2	9.9	100	15	5.5
SLG50-B	110	29	49.3	28.5	26.4	5.2	9.9	100	15	5.5

SNC Series Needle Gripper



COMPOSITE MATERIAL



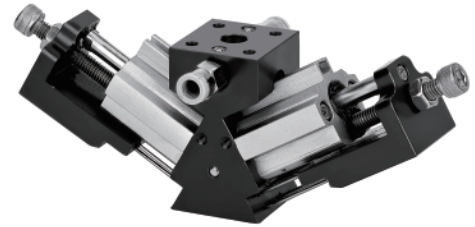
FABRIC

Features

- ◇ Handling the workpieces by needles
- ◇ Needles controlled by spring or double-acting pneumatic cylinder
- ◇ Designed with intersecting needles
- ◇ Adjustable needle stroke
- ◇ Reduce the effective contact area

Advantages

- ◇ Suitable for handling small size workpieces
- ◇ Simple pneumatic valve, easy to control
- ◇ Short work cycle, speed up the process
- ◇ For handling narrow and long or irregular workpieces
- ◇ The workpiece can be prevented from falling even in the case of power failure
- ◇ Preset separately according to the thickness, size and shape of workpieces
- ◇ Reliable handling of high porous workpieces

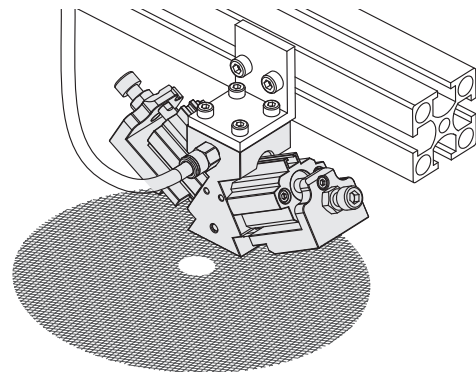


Application

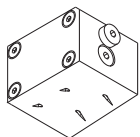
- ◇ Needles with different dimensions, fixed or adjustable needle stroke is optional, to handle non-rigid or high porous material, which is hardly gripped by vacuum, such as composite material, fluffy fabric, filter material, woven FRP, carbon fiber, insulation and foam material, etc.

Notice

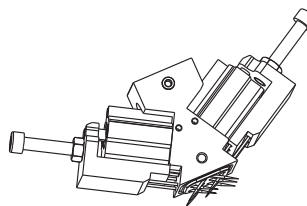
- ◇ Be careful when taking the needle gripper, there are needles at the bottom
- ◇ The exhaust function must be reserved when the solenoid valve controls the air circuit in order to prevent abnormal temperature during high frequency action



Structure



- ◇ Solid aluminum housing
- ◇ 4pcs needles, insertion angle 30°
- ◇ Needles are controlled by compressed air



- ◇ Solid aluminum housing
- ◇ 10pcs needles, insertion angle 30°
- ◇ Double-acting pneumatic cylinder drive
- ◇ Continuous variable stroke adjustment

SNC Series

Needle Gripper

How to order

SNC 10

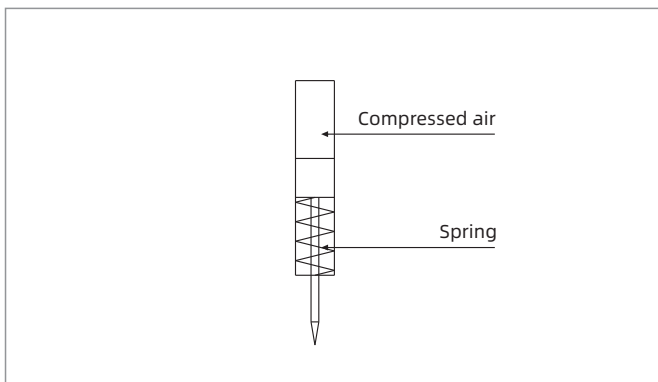
① ②

① Series	② Needle specification
SNC	4 - 4×φ0.8mm 10 - 10×φ1.2mm

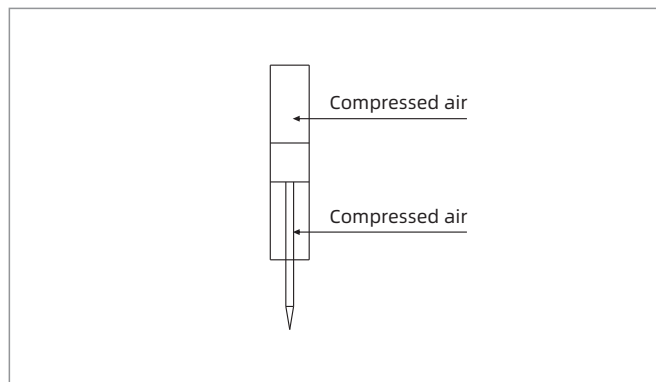
Technical parameters

Model	QTY of Needle PCS	Needle dia. mm	Air supply pressure range bar	Rated air supply pressure bar	Air consumption NL/min	Stroke mm	Working temperature °C	Weight g
SNC4	4	φ0.8	4.0~6.0	4.0	55	3	5~60	85
SNC10	10	φ1.2	3.0~7.0	4.0	65	7	5~60	310

Air circuit schematic diagram

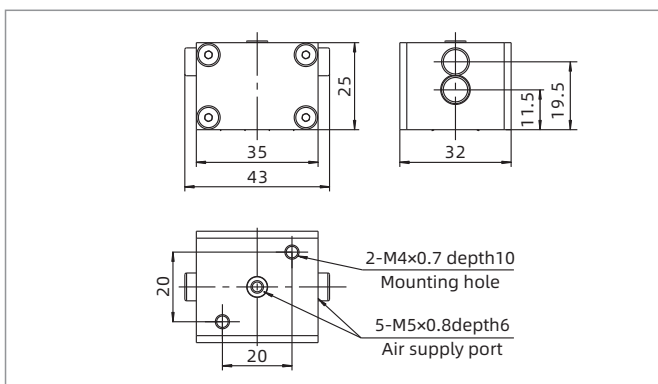


SNC4

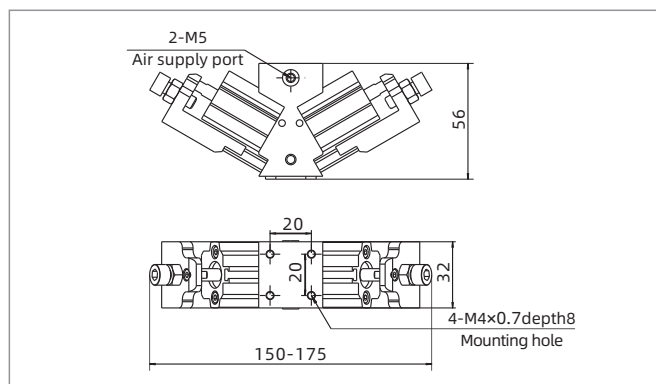


SNC10

Dimensions(mm)



SNC4



SNC10

SNT Series

Non-contact Suction Cup



COMPOSITE MATERIAL



POROUS

Features

- ◇ The suction cup "floats" on the air cushion during the gripping
- ◇ Low vacuum level, large vacuum flow
- ◇ Vacuum created based on Bernoulli principle
- ◇ No air go through the workpiece

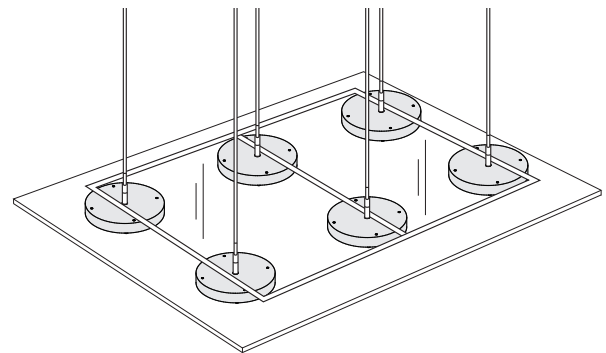
Advantages

- ◇ To achieve non-contact handling of workpiece
- ◇ Good compensation of air leakage
- ◇ Safely separates thin and porous workpiece
- ◇ Connect to compressed air directly, no need extra vacuum generator



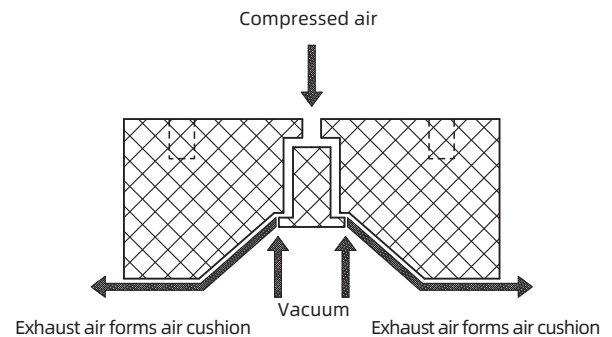
Application

- ◇ Fragile workpieces, such as silicon wafer, solar cell
- ◇ Porous workpieces, such as printed PCB, PVC board, textile
- ◇ Thin and light workpieces, such as plastic film, paper



Structure

- ◇ There are 4 threaded holes on the top
- ◇ Air supply ports on both vertical and horizontal side



SNT Series

Non-contact Suction Cup

How to order

SNT 30 - S N
 ① ② ③ ④

① Series	② Diameter		③ Flow type	④ Cushion material
SNT	20 - ϕ 20mm	60 - ϕ 60mm	S - Standard flow	N - NBR PK - PEEK (Mark free)
	30 - ϕ 30mm	100 - ϕ 100mm		
	40 - ϕ 40mm	120 - ϕ 120mm		

Selection

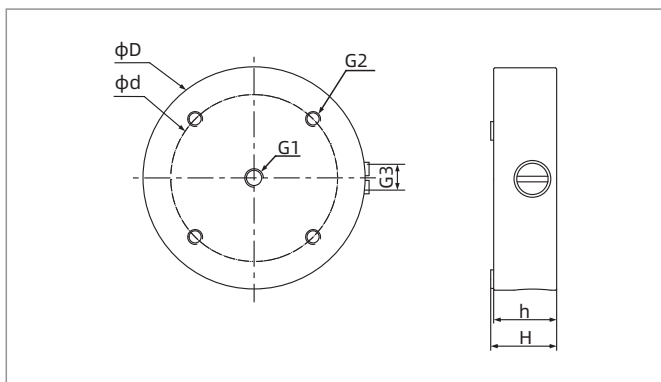
Model/Diameter 20	30	40	60	100	120
-	SNT30-SN	SNT40-SN	SNT60-SN	SNT100-SN	SNT120-SN
SNT20-SPK	SNT30-SPK	SNT40-SPK	SNT60-SPK	SNT100-SPK	SNT120-SPK

Technical parameters

Model	Pull-out force N	Air supply pressure bar	Max. air consumption NL/min	Working temperature °C	Weight g	Recommended hose dia. mm
SNT20	2	5.0	80	0~60	9.5	6
SNT30	4	5.0	100	0~60	32	8
SNT40	6.5	5.0	130	0~60	51	8
SNT60	13	5.0	200	0~60	116	8
SNT100	46	5.0	350	0~60	252	8
SNT120	89	5.0	420	0~60	365	8

◇ Note: The tested workpiece is rigid and airtight, air supply pressure range is 1.0 - 6.0bar, vertical action. The specified pull-out force does not include the safety factor

Dimensions(mm)



SNT

Model/Size	D	d	H	h	G1	G2	G3
SNT20	20	15	12.8	12	M5×0.8	4-M3×0.5depth5	-
SNT30	32	22	17.8	17	M5×0.8	4-M4×0.7depth6	M5×0.8
SNT40	40	32	17.8	17	G1/8	4-M4×0.7depth6	G1/8
SNT60	60	45	17.8	17	G1/8	4-M4×0.7depth6	G1/8
SNT100	100	75	17.8	17	G1/8	4-M4×0.7depth6	G1/8
SNT120	120	105	17.8	17	G1/8	4-M4×0.7depth6	G1/8

SLP Series

Flow Gripper

AIRBEST



NEW ENERGY



BATTERY



COMPOSITE MATERIAL



POROUS



Features

- ◇ Large vacuum flow
- ◇ Integrated with vacuum generator, suction cup and silencer
- ◇ Vertical and horizontal mounting types
- ◇ Holes on the adsorbing surface, could avoid the deformation of workpiece

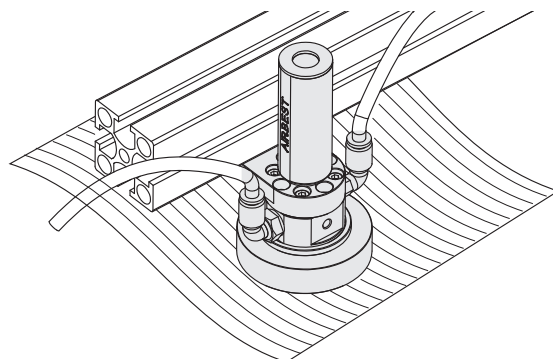
Advantages

- ◇ Flat suction cup to prevent deformation of the workpiece
- ◇ Large vacuum flow, suitable for handling porous workpieces
- ◇ Easy to install, different choice for different application
- ◇ Simple structure, integrated design, connect to compressed air directly, no need extra vacuum generator



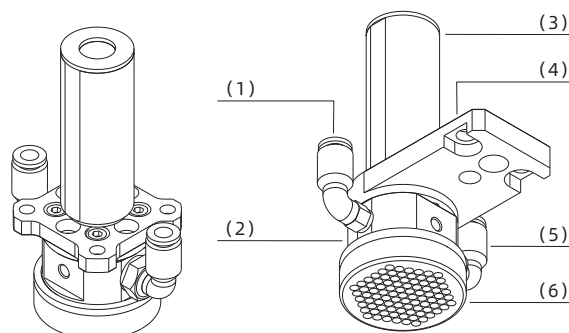
Application

- ◇ Suitable for handling thin and fragile workpieces, such as mobile phone screen, aluminum foil
- ◇ Suitable for handling porous workpieces, such as printed PCB, PVC board
- ◇ Suitable for textile industry, such as fiber sheet



Structure

- ◇ (1) Release/Vacuum detecting port
- ◇ (2) Vacuum generator
- ◇ (3) Silencer
- ◇ (4) Mounting flange
- ◇ (5) Air supply port
- ◇ (6) Adsorbing surface



Special Vacuum Grippers

SLG

SNC

SNT

SLP

SLB

SLW

SLF

How to order

SLP 40 - M10 S D - F1
 ① ② ③ ④ ⑤ ⑥

① Series	② Dia. of suction cup	③ Specification of vacuum generator	④ Exhaust direction	⑤ Release function	⑥ Mounting flange
SLP	40 - ϕ 40 60 - ϕ 60	M10 - Diameter ϕ 10mm M20 - Diameter ϕ 20mm	S - Vertical + silencer D - With release port		F1 - Vertical, 55x6mm F2 - Vertical, 84x9mm F3 - Horizontal, 71x9mm F4 - Horizontal, 95x9mm

Selection

Model/ Diameter of suction cup	40	60
SLP40-M10SD-F1		SLP60-M10SD-F1
SLP40-M10SD-F3		SLP60-M10SD-F3
-		SLP60-M20SD-F2
-		SLP60-M20SD-F4

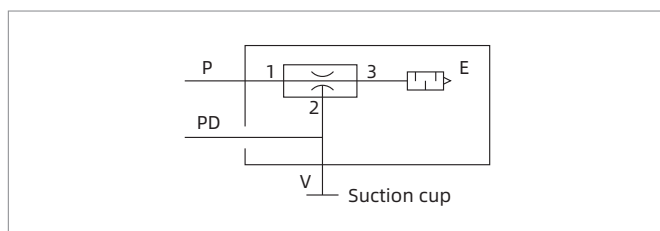
Technical parameters

Model	Air supply pressure range bar	Rated air supply pressure bar	Max. vacuum level -kPa	Max. vacuum flow NL/min	Air consumption NL/min	Working temperature °C
SLP40-M10	1.0~7.0	5.0	11	320~450	145	0~60
SLP60-M10	1.0~7.0	5.0	11	330~550	145	0~60
SLP60-M20	1.0~7.0	5.0	4.5	970~1,195	260	0~60

Vacuum flow(NL/min) at different vacuum levels (-kPa)

Model	Air supply pressure bar	Air consumption NL/min	0	1.5	2.5	3.5	4.5	5.5	6.5	7.5	11	Max. vacuum level -kPa
SLP40-M10	5.0	145	450	430	410	420	350	300	250	170	100	11
SLP60-M10	5.0	145	550	530	470	420	350	300	250	170	100	11
SLP60-M20	5.0	260	1,195	1,120	1,050	980	880	-	-	-	-	4.5

Air circuit schematic diagram



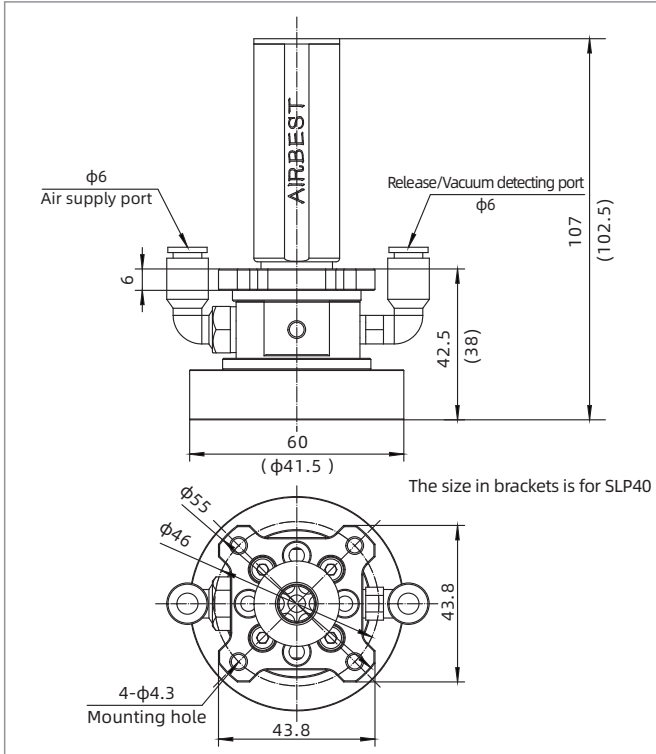
SLP

SLP Series

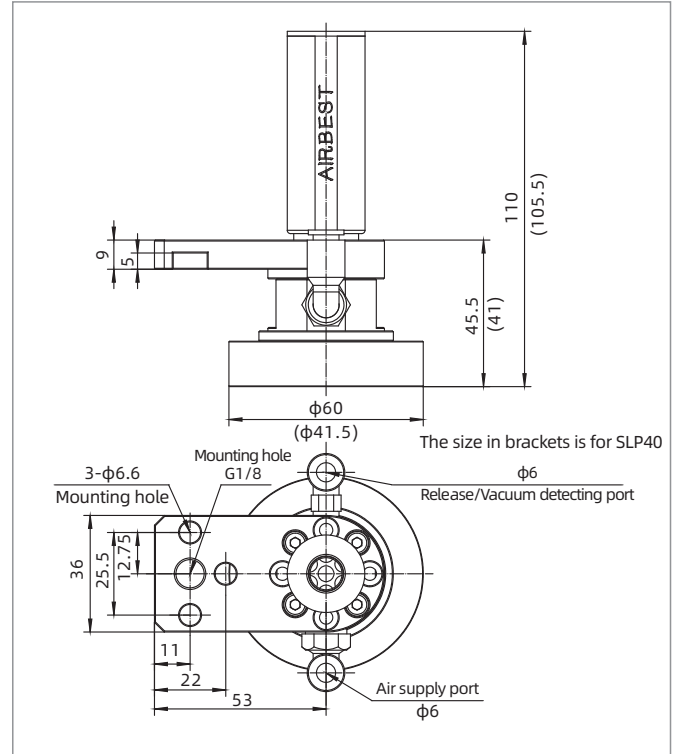
Flow Gripper



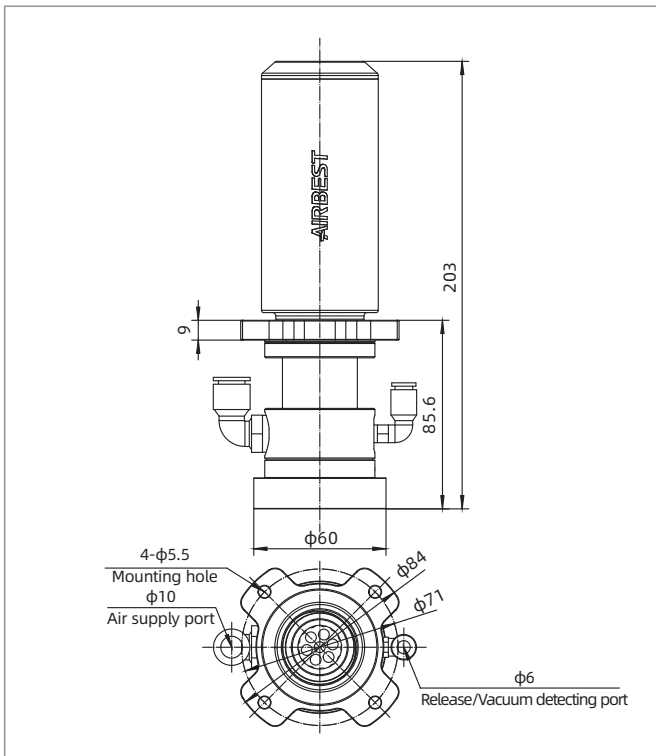
Dimensions(mm)



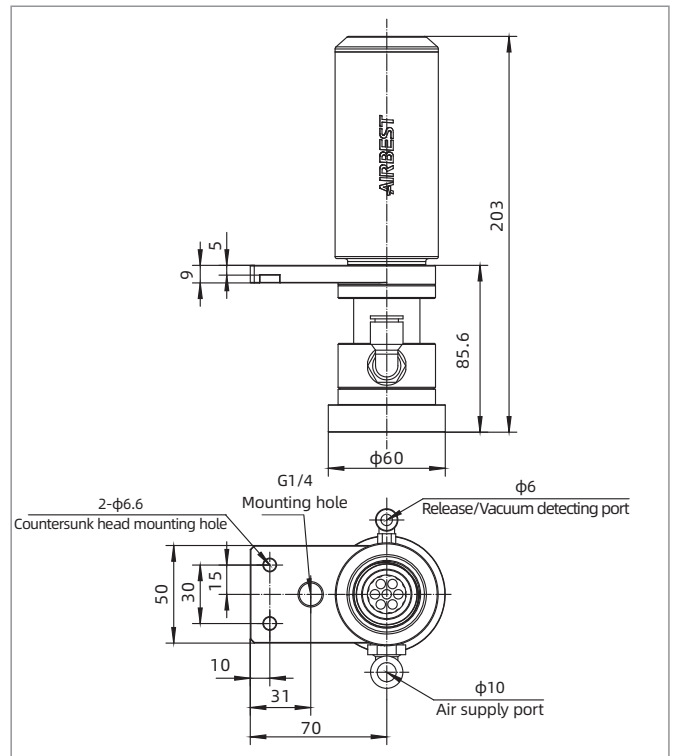
SLP60(40)-M10SD-F1



SLP60(40)-M10SD-F3



SPL60-M20SD-F2



SPL60-M20SD-F4

SLB Series

Thin Lip Flow Gripper

AIRBEST



ELECTRONICS



NEW ENERGY



POROUS

RoHS

Features

- ◇ Large vacuum flow
- ◇ Integrated with vacuum generator, suction cup, silencer/pagoda fitting
- ◇ Vertical and horizontal mounting types
- ◇ Suction cup with rubber material, flexible, high suction force, protect the surface of workpiece

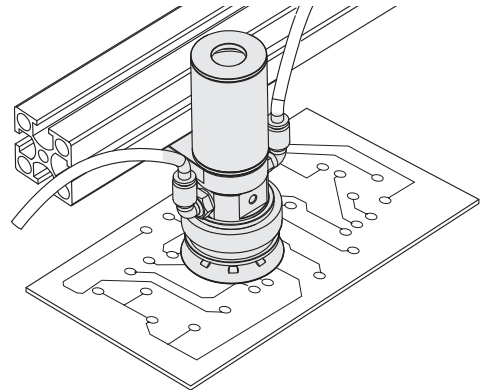
Advantages

- ◇ Flexible gripping, prevent damage to the workpiece during handling
- ◇ Large vacuum flow, suitable for handling porous workpiece
- ◇ Easy to install, different types for option
- ◇ Simple structure, integrated design, could connect to compressed air directly, no need extra vacuum generator
- ◇ Minimize noise, pagoda fitting could be used to collect the exhausted air, no pollution



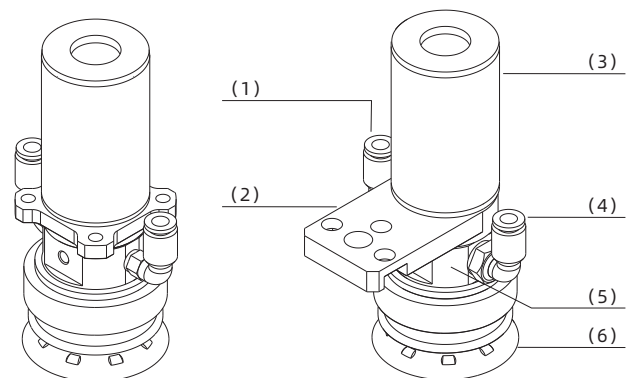
Application

- ◇ Suitable for handling porous workpieces, such as printed PCB, PVC board
- ◇ Suitable for food industry, such as biscuit, bread, etc.
- ◇ Suitable for handling irregular workpieces



Structure

- ◇ (1) Release/Vacuum detecting port
- ◇ (2) Mounting flange
- ◇ (3) Silencer
- ◇ (4) Air supply port
- ◇ (5) Vacuum generator
- ◇ (6) Adsorbing surface



SLB Series

Thin Lip Flow Gripper

How to order

SLB 50 E - M10 S D - F13
 ① ② ③ ④ ⑤ ⑥ ⑦

① Series	② Dia. of suction cup	③ Material of suction cup	④ Specification of vacuum generator
SLB	30 - ϕ 30mm	WS - White silicone	M10 - Diameter ϕ 10mm
	50 - ϕ 50mm	E - EPDM	M20 - Diameter ϕ 20mm

⑤ Exhaust direction	⑥ Vacuum release function	⑦ Mounting flange
S - Vertical + silencer	D - With vacuum release port	F2 - Vertical, 84x9mm
T - Vertical + pagoda fitting		F4 - Horizontal, 95x9mm
		F11 - Horizontal, 71x9mm
		F13 - Vertical, 55x6mm

◇ Note: For specification of M20, white silicone material is not available

Selection

Model/ Diameter of suction cup	50	
SLB30E-M10SD-F11	SLB50E-M10SD-F11	SLB50WS-M10SD-F11
SLB30E-M10SD-F13	SLB50E-M10SD-F13	SLB50WS-M10SD-F13
SLB30E-M10TD-F11	SLB50E-M10TD-F11	SLB50WS-M10TD-F11
SLB30E-M10TD-F13	SLB50E-M10TD-F13	SLB50WS-M10TD-F13
-	SLB50E-M20SD-F2	-
-	SLB50E-M20SD-F4	-

Technical parameters

Model	Air supply pressure range bar	Rated air supply pressure bar	Max. vacuum level -kPa	Max. vacuum flow NL/min	Air consumption NL/min	Working temperature °C
SLB30-M10	1.0~7.0	5.0	16	680~690	165	0~60
SLB50-M10	1.0~7.0	5.0	16	680~690	165	0~60
SLB50-M20	1.0~7.0	5.0	4.5	1,070~1,315	260	0~60

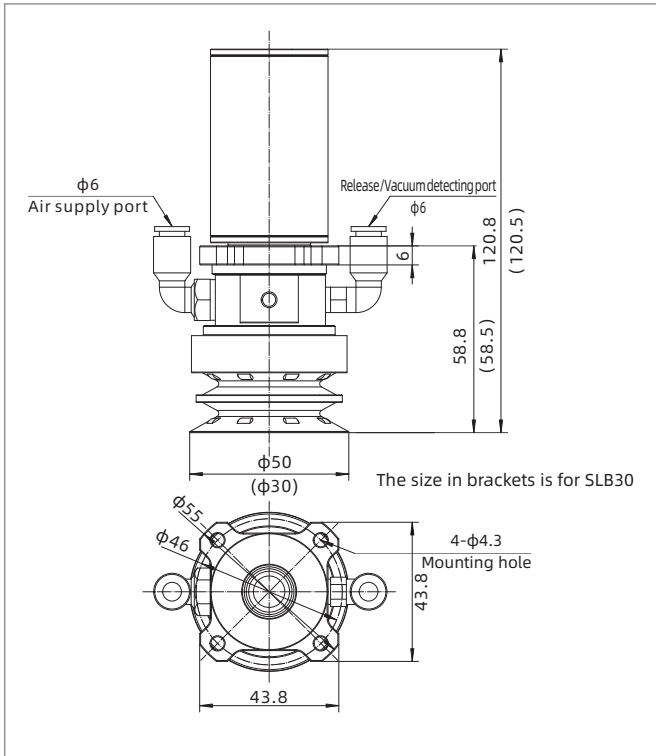
Vacuum flow (NL/min) at different vacuum levels (-kPa)

Model	Air supply pressure bar	Air consumption NL/min	0	1.5	2.5	3.5	4.5	5.5	6.5	7.5	11	Max. vacuum level -kPa
SLB30-M10	5.0	165	550	530	470	420	350	300	250	170	100	16
SLB50-M10	5.0	165	550	530	470	420	350	300	250	170	100	16
SLB50-M20	5.0	260	1,315	1,120	1,050	980	880	-	-	-	-	4.5

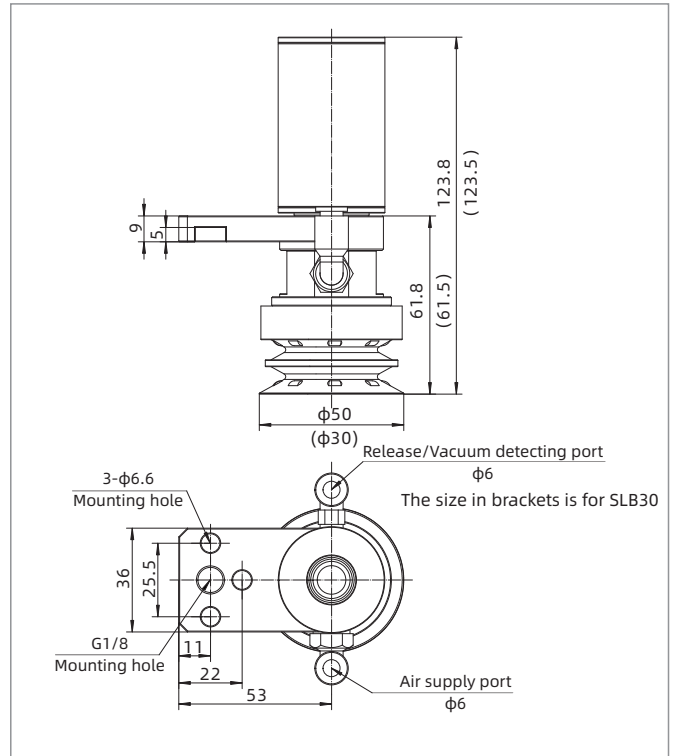
SLB Series

Thin Lip Flow Gripper

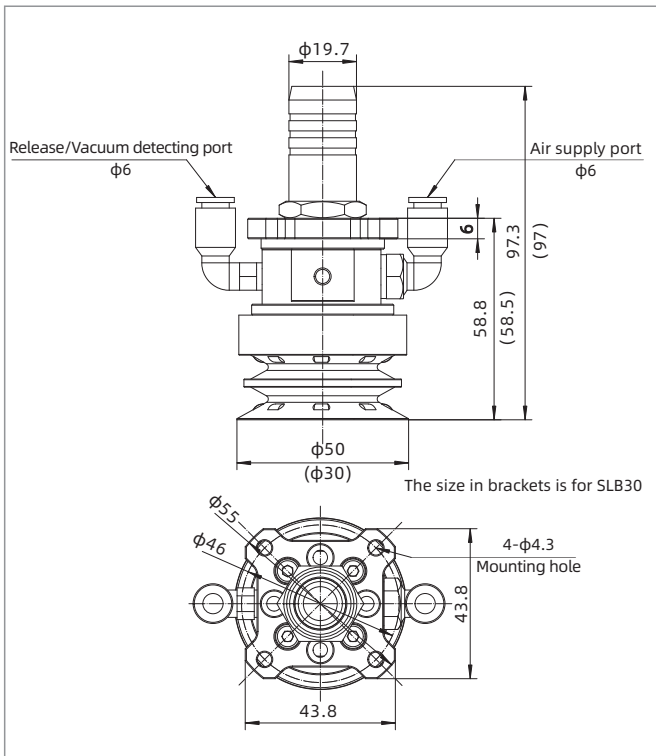
Dimensions(mm)



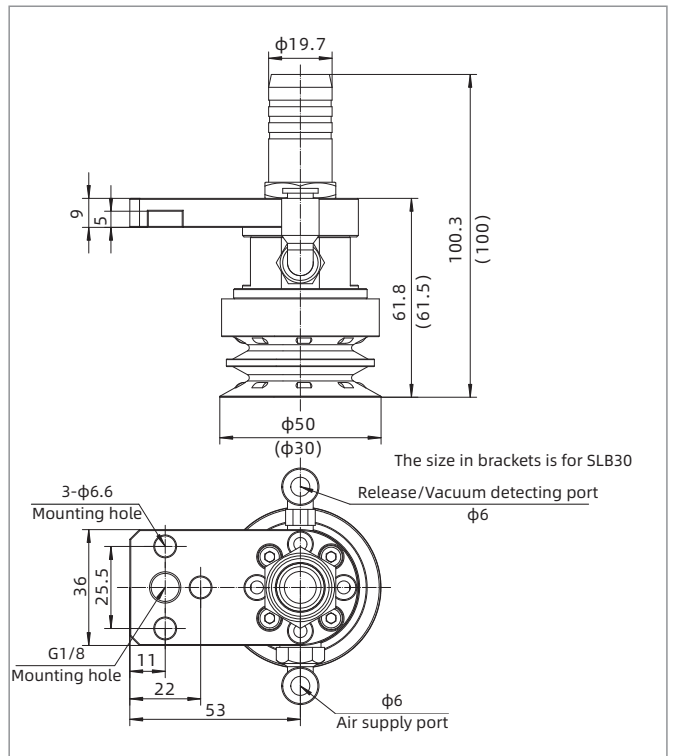
SLB50(30)E-M10SD-F13



SLB50(30)E-M10SD-F11



SLB50(30)E-M10TD-F13



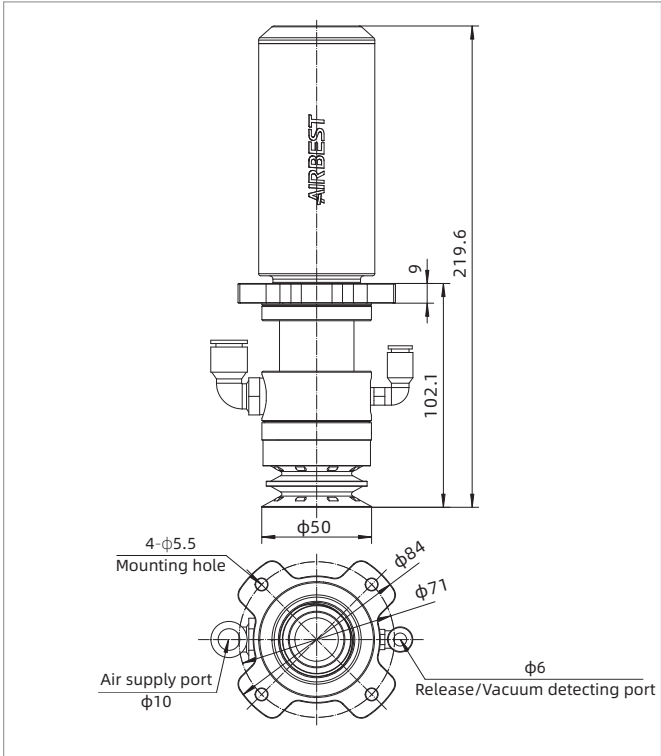
SLB50(30)E-M10TD-F11

SLB Series

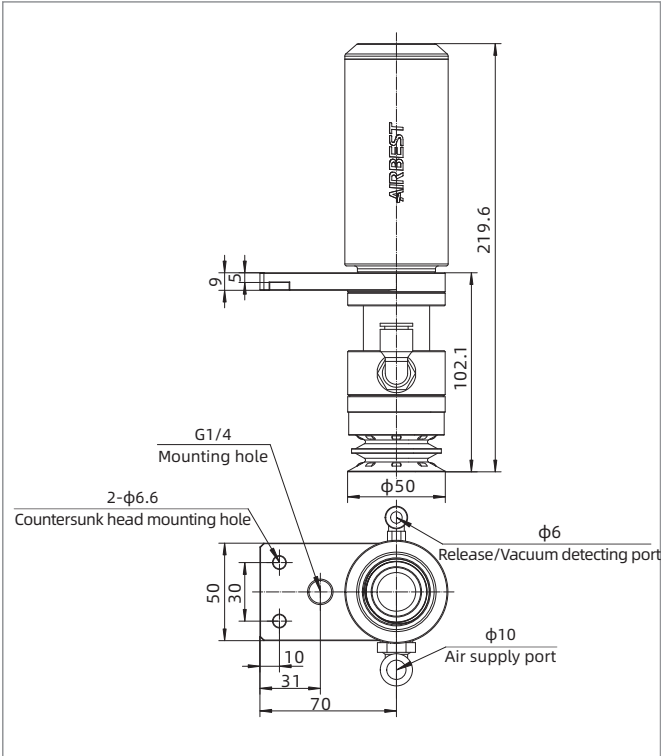
Thin Lip Flow Gripper



Dimensions(mm)



SLB50-M20SD-F2



SLB50-M20SD-F4

Special Vacuum Grippers

- SLG
- SNC
- SNT
- SLP
- SLB**
- SLW
- SLF

SLW Series Wafer Gripper

AIRBEST

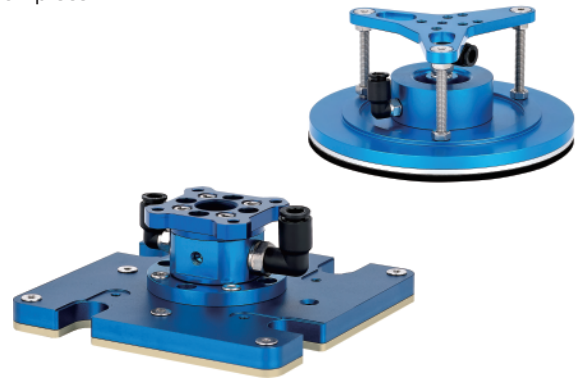


Features

- ◇ Multihole adsorbing area, prevent the physical deformation of fragile workpiece
- ◇ Integrated with suction cup and vacuum generator
- ◇ Vertical exhaust and lateral exhaust for option
- ◇ Vertical and horizontal mounting types for option

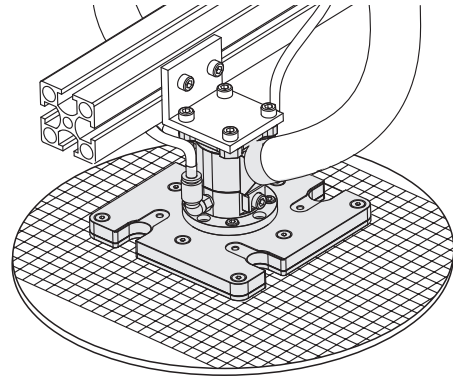
Advantages

- ◇ Reduce fragment rate
- ◇ With vacuum release port, improve efficiency
- ◇ Easy to install, different types for option
- ◇ Simple structure, integrated design, could connect to compressed air directly, no need extra vacuum generator



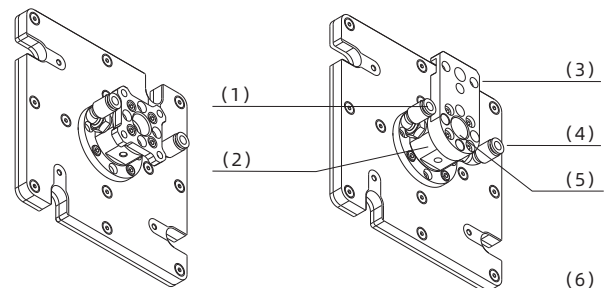
Application

- ◇ Suitable for handling fragile workpieces, such as silicon wafer, solar cell, glass, etc.



Structure

- ◇ (1) Air supply port
- ◇ (2) Vacuum generator
- ◇ (3) Mounting flange
- ◇ (4) Release/Vacuum detecting port
- ◇ (5) Exhaust port
- ◇ (6) Adsorbing area



SLW Series

Wafer Gripper

How to order

SLW 115 PK - M10 I - F1

① ② ③ ④ ⑤ ⑥

① Series	② Dimension	③ Material of suction cup	④ Specification of vacuum generator	⑤ Exhaust direction	⑥ Mounting flange
SLW	100 - 100x55mm	PK - PEEK	M10 - Diameter ϕ 10mm	I - Vertical exhaust	F1 - Vertical, 55x6mm
	115 - 115x115mm	AE - Aluminum plate+	M15 - Diameter ϕ 15mm	Y - Lateral exhaust	F3 - Horizontal, 71x9mm
	146 - 146x146mm	EPDM support cushion			F9 - Vertical, Triangular flange
	170 - 170x105mm	FT - Sponge+PTFE			
	120 - ϕ 120mm				
	150 - ϕ 150mm				
	180 - ϕ 180mm				

Selection

Model/ Specification of vacuum generator M10		M15	
SLW100PK-M10I-F1	SLW100PK-M10Y-F1	SLW120AE-M15I-F9	SLW120FT-M15I-F9
SLW100PK-M10I-F3	SLW100PK-M10Y-F3	-	-
SLW115PK-M10I-F1	SLW115PK-M10Y-F1	SLW150AE-M15I-F9	SLW150FT-M15I-F9
SLW115PK-M10I-F3	SLW115PK-M10Y-F3	-	-
SLW146PK-M10I-F1	SLW146PK-M10Y-F1	SLW180AE-M15I-F9	SLW180FT-M15I-F9
SLW146PK-M10I-F3	SLW146PK-M10Y-F3	-	-
SLW170PK-M10I-F1	SLW170PK-M10Y-F1	-	-
SLW170PK-M10I-F3	SLW170PK-M10Y-F3	-	-

Special Vacuum Grippers

Technical parameters

Model	Air supply pressure range bar	Rated air supply pressure bar	Max. vacuum level -kPa	Max. vacuum flow NL/min	Air consumption NL/min	Working temperature °C
SLW115-M10	1.0~7.0	5.0	11	400~430	150	0~60
SLW146-M10	1.0~7.0	5.0	11	410~440	150	0~60
SLW100-M10	1.0~7.0	5.0	11	330~460	150	0~60
SLW170-M10	1.0~7.0	5.0	11	350~490	150	0~60
SLW120-M15	1.0~7.0	5.0	4.5	370~460	150	0~60
SLW150-M15	1.0~7.0	5.0	4.5	370~460	160	0~60
SLW180-M15	1.0~7.0	5.0	4.5	370~460	180	0~60

SLG

SNC

SNT

SLP

SLB

SLW

SLF

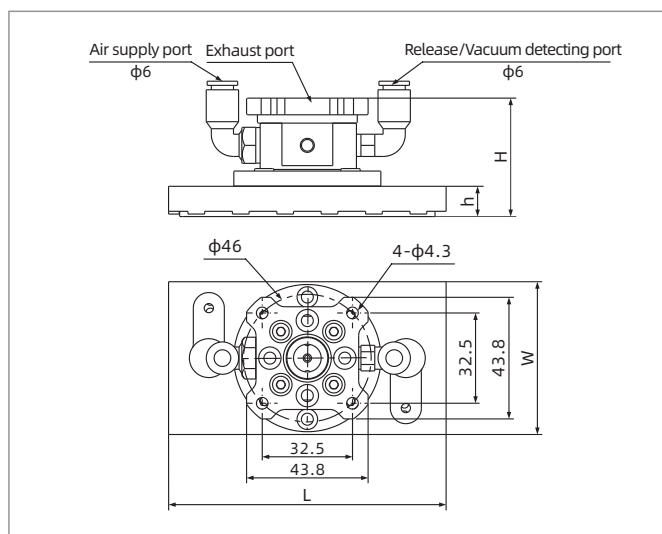
SLW Series

Wafer Gripper

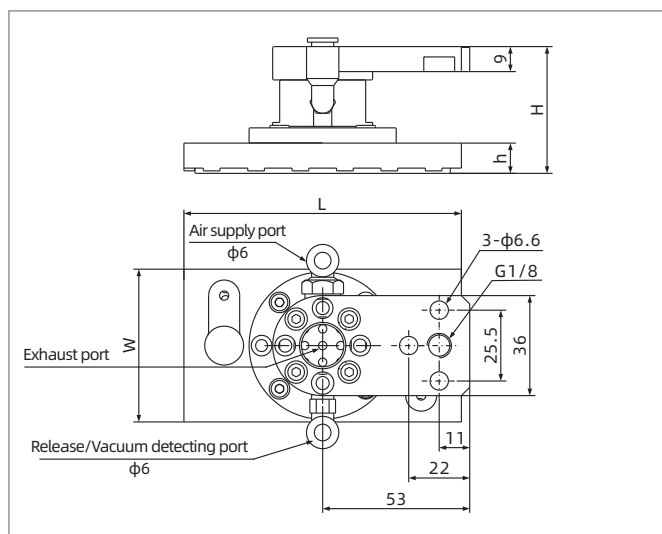
Vacuum flow (NL/min) at different vacuum levels (-kPa)

Model	Air supply pressure bar	Air consumption NL/min	0	1.5	2.5	3.5	4.5	5.5	6.5	7.5	11	Max. vacuum level -kPa
SLW115-M10	5.0	150	400	375	363	334	315	289	265	246	215	11
SLW146-M10	5.0	150	410	386	370	330	324	296	374	258	234	11
SLW100-M10	5.0	150	330	311	285	263	241	219	198	179	160	11
SLW170-M10	5.0	150	350	330	310	280	263	238	219	200	180	11
SLW120-M15	5.0	150	440	429	407	385	363	335	308	275	-	4.5
SLW150-M15	5.0	160	440	429	407	385	363	335	308	275	-	4.5
SLW180-M15	5.0	180	440	429	407	385	363	335	308	275	-	4.5

Dimensions(mm)



SLW□PK-M10I-F1



SLW□PK-M10I-F3

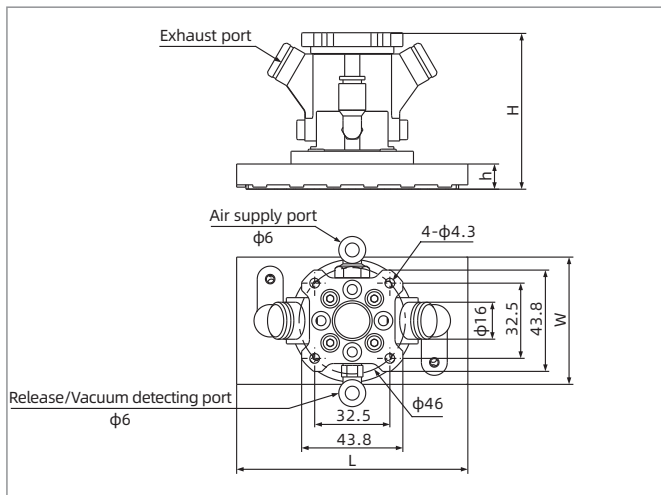
Model/Size	L	W	H	h	Weight g
SLW100PK-M10I-F1	100	55	43	11	220
SLW115PK-M10I-F1	115	115	43	11	350
SLW146PK-M10I-F1	146	146	43	11	458
SLW170PK-M10I-F1	170	105	43	11	354

Model/Size	L	W	H	h	Weight g
SLW100PK-M10I-F3	100	55	46	11	135
SLW115PK-M10I-F3	115	115	46	11	376
SLW146PK-M10I-F3	146	146	46	11	484
SLW170PK-M10I-F3	170	105	46	11	386

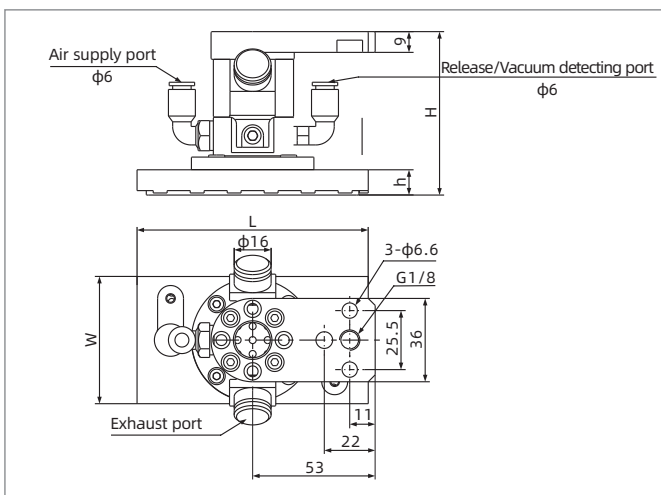
SLW Series

Wafer Gripper

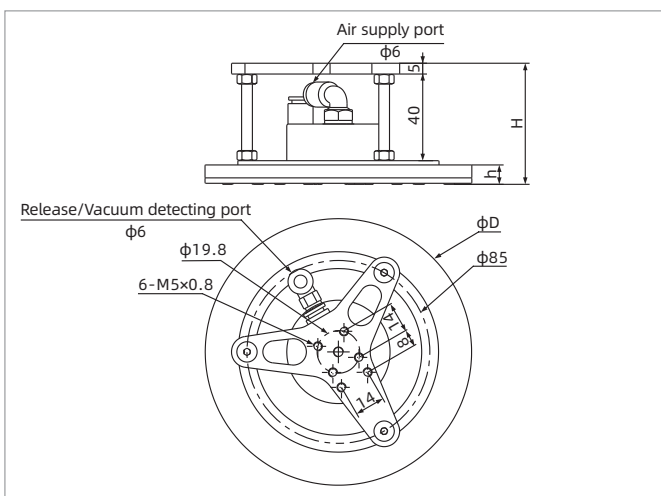
Dimensions(mm)



SLW□PK-M10Y-F1



SLW□PK-M10Y-F3



SLW□AE-M15I-F9

Model/Size	L	W	H	h	Weight g
SLW100PK-M10Y-F1	100	55	68	11	284
SLW115PK-M10Y-F1	115	115	68	11	415
SLW146PK-M10Y-F1	146	146	68	11	523
SLW170PK-M10Y-F1	170	105	68	11	420

Model/Size	L	W	H	h	Weight g
SLW100PK-M10Y-F3	100	55	71	11	310
SLW115PK-M10Y-F3	115	115	71	11	441
SLW146PK-M10Y-F3	146	146	71	11	549
SLW170PK-M10Y-F3	170	105	71	11	445

Model/Size	D	H	h	Weight g
SLW120AE-M15I-F9	124	53.5~57	9.5	343
SLW120FT-M15I-F9	124	56~59	12	375
SLW150AE-M15I-F9	149	53.5~57	9.5	418
SLW150FT-M15I-F9	149	56~59	12	472
SLW180AE-M15I-F9	179	53.5~57	9.5	632
SLW180FT-M15I-F9	179	56~59	12	630

Special Vacuum Grippers

SLG

SNC

SNT

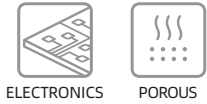
SLP

SLB

SLW

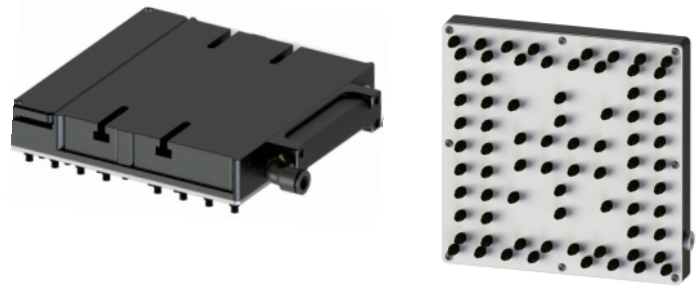
SLF

SLF Series Matrix Gripper



Features

- ◇ Various types for option, built-in vacuum generator type, external blower type, external vacuum generator type
- ◇ With throttling function
- ◇ Suction cups on the adsorbing area

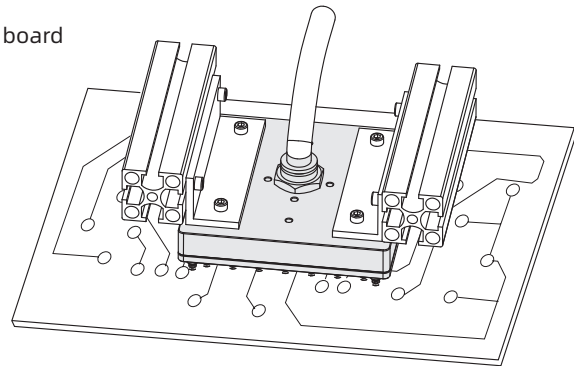


Advantages

- ◇ Easy to install and maintain
- ◇ Flexible selection according to the actual working condition
- ◇ Suitable for handling hollow or irregular workpieces, prevent the adhesion between workpieces
- ◇ Flexible gripping, prevent the deformation of the workpiece during handling

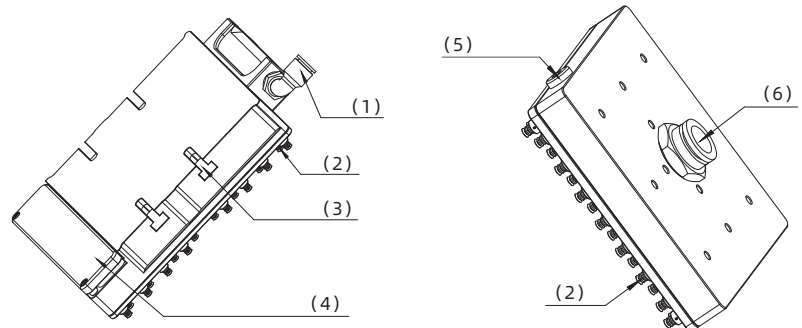
Application

- ◇ Suitable for handling porous workpieces, such as printed PCB, PVC board
- ◇ Handling irregular workpieces
- ◇ Suitable for electronic industry



Structure

- ◇ (1) Air supply port
- ◇ (2) Suction cups
- ◇ (3) T type installation slot
- ◇ (4) Exhaust port
- ◇ (5) Vacuum detecting port
- ◇ (6) Vacuum port



How to order

SLF 180 S - 5 WS

① ② ③ ④ ⑤

① Series	② Size	③ Type of vacuum source	④ Dia.of suction cup	⑤ Suction cup material
SLF	140 - 140×140mm	Nil - Default, external blower	Nil - SPC7	Nil - NBR
	180 - 180×180mm	W - External vacuum generator	3 - SPC3	WS - White silicone
		S - Built-in flow type vacuum generator	5 - SPC5	E - EPDM
		X - Built-in vacuum type vacuum generator		

Selection

Model/ Type of vacuum source	140	140W	180	180W	180S	180X
SLF140		SLF140W	SLF180	SLF180W	SLF180S	SLF180X
SLF140-WS		SLF140W-WS	SLF180-WS	SLF180W-WS	SLF180S-WS	SLF180X-WS
SLF140-E		SLF140W-E	SLF180-E	SLF180W-E	SLF180S-E	SLF180X-E
SLF140-3		SLF140W-3	SLF180-3	SLF180W-3	SLF180S-3	SLF180X-3
SLF140-3WS		SLF140W-3WS	SLF180-3WS	SLF180W-3WS	SLF180S-3WS	SLF180X-3WS
SLF140-3E		SLF140W-3E	SLF180-3E	SLF180W3-E	SLF180S-3E	SLF180X-3E
SLF140-5		SLF140W-5	SLF180-5	SLF180W-5	SLF180S-5	SLF180X-5
SLF140-5WS		SLF140W-5WS	SLF180-5WS	SLF180W-5WS	SLF180S-5WS	SLF180X-5WS
SLF140-5E		SLF140W-5E	SLF180-5E	SLF180W-5E	SLF180S-5E	SLF180X-5E

Special Vacuum Grippers

Technical parameters

Model	Air supply pressure range bar	Working temperature °C	Vacuum source	QTY of suction cup pcs	Weight g
SLF140	1.0~7.0	0~60	External blower	186	890
SLF180	1.0~7.0	0~60	External blower	312	1,460
SLF140W	1.0~7.0	0~60	External large flow vacuum generator	114	1,070
SLF180W	1.0~7.0	0~60	External large flow vacuum generator	76	1,330

SLG

SNC

SNT

SLP

SLB

SLW

SLF

Technical parameters

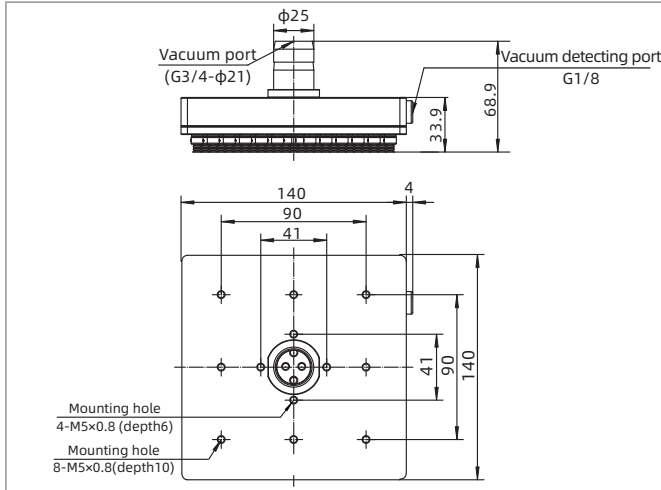
Model	Air supply pressure range bar	Rated air supply pressure bar	Max. vacuum level -kPa	Max. vacuum flow NL/min	Air consumption NL/min	Working temperature °C	QTY of suction cup pcs	Weight g
SLF180S	1.0~7.0	5.0	58	242	360	0~60	76	1,220
SLF180X	1.0~7.0	5.0	80	250	480	0~60	76	1,220

SLF Series

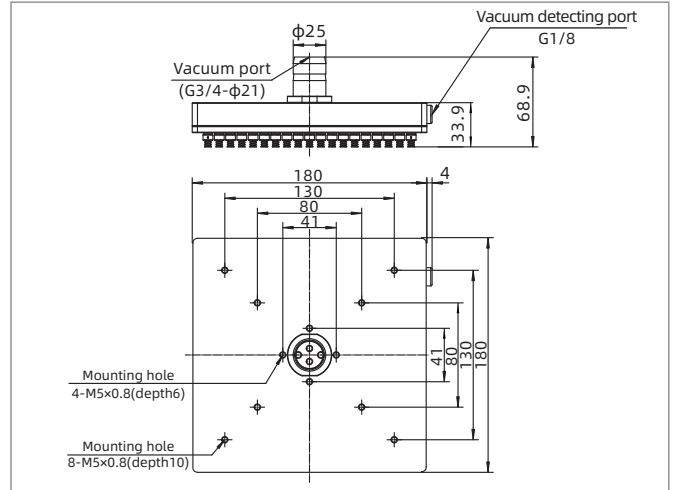
Matrix Gripper



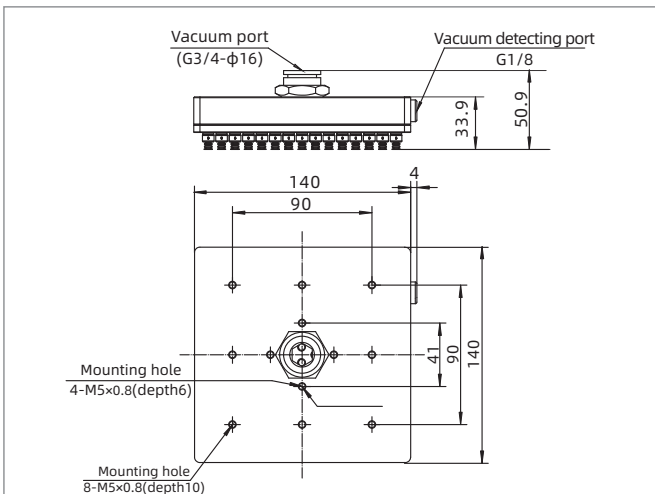
Dimensions(mm)



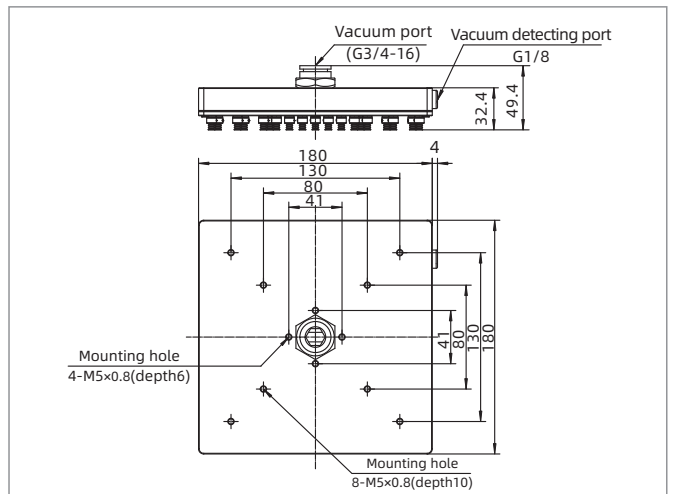
SLF140



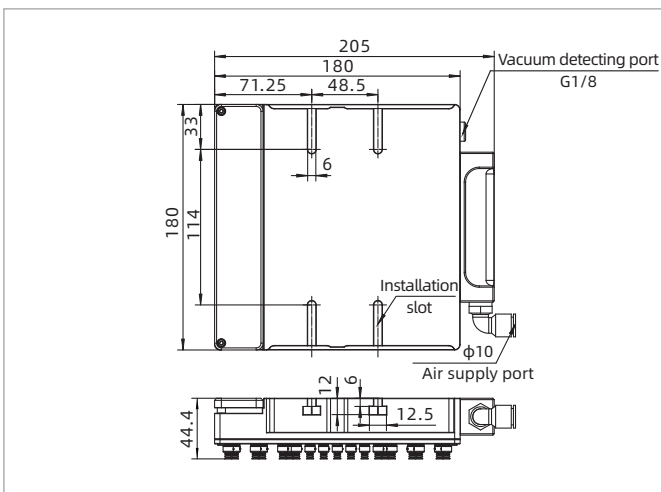
SLF180



SLF140W



SLF180W



SLF180X(S)

E Vacuum Grippers

Vacuum grippers

Products overview

Vacuum grippers

375 TXN Series Vacuum Gripper-Mini Type

- ◇ Vacuum type: Built-in vacuum generator
Without vacuum generator
- ◇ Adsorption surface type: Sponge
Suction cup



ELECTRONICS PACKAGING



393 TXP Series Vacuum Gripper-Oval Shaped

- ◇ Vacuum type: External Blower
- ◇ Adsorption surface type: Sponge



PACKAGING



381 TXD Series Vacuum Gripper-Light Load Type

- ◇ Vacuum type: Built-in vacuum generator
- ◇ Adsorption surface type: Sponge
Suction cup



PACKAGING



395 TXH Series Vacuum Gripper-Heavy Load Type

- ◇ Vacuum type: With vacuum generator
Without vacuum generator
- ◇ Adsorption surface type: Sponge
Suction cup



UNIVERSAL HEAVY LOAD



384 TXC Series Vacuum Gripper -Vacuum Generator Standard Type

- ◇ Vacuum type: Built-in vacuum generator
- ◇ Adsorption surface type: Sponge
Suction cup



UNIVERSAL

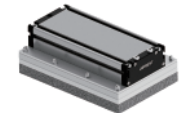


399 TXL Series Vacuum Gripper -Combined Type

- ◇ Vacuum type: Built-in vacuum generator
External Blower
- ◇ Adsorption surface type: Sponge
Suction cup



UNIVERSAL



389 TXM Series Vacuum gripper-blower standard type

- ◇ Vacuum type: External Blower
- ◇ Adsorption surface type: Sponge
Suction cup



UNIVERSAL



TXN Series

Vacuum Gripper-Mini Type



ELECTRONICS



PACKAGING

Features

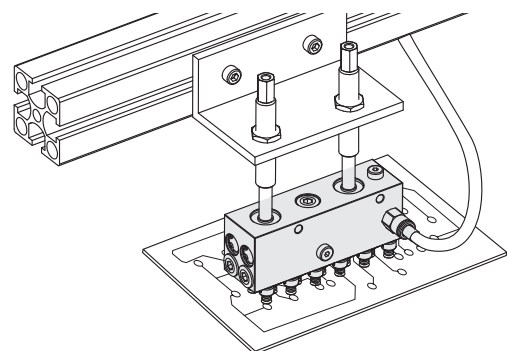
- ◇ Small size, simple structure and light weight
- ◇ Various vacuum sources, can select built-in vacuum generator or external blower
- ◇ Sponge type: Conventional sponge, Mark free sponge,Conductive sponge can be selected
- ◇ Suction cup type: The size, material and rows of suction cups are optional

Advantages

- ◇ It is easy to install and maintain
- ◇ Customers can choose accurately according to the actual application, built-in vacuum generator structure can save space and create vacuum fastly, easy to control
- ◇ Sponge type can achieve flexible contact, when touching with glass and other fragile workpieces, it could be mark free and non-positioning suction
- ◇ Suction cup type has throttling effect, which can be used to adsorb hollow porous, uneven, different shapes of workpieces

Applications

- ◇ Used for handling light and small fragile workpieces, such as electronics, glass screen, electronic components and PCB board, etc.
- ◇ Sponge type can also be used for sorting and labeling in packaging industry



Vacuum gripper

TXN

TXD

TXC

TXM

TXP

TXH

TXL

Structure

- ◇ The main body is made of aluminum alloy
- ◇ The vacuum gripper TXN22 × 38/TXN22 × 76 are without vacuum generator, others are with built-in vacuum generator

How to order

TXN 15×76 - B5N WS - C

① ② ③ ④ ⑤

① Series	② Dimension	③ Adsorption surface type	④ Material of suction cup	⑤ Vacuum type
TXN	22×38	A - Conventional sponge	Nil - Default,NBR	Nil - Without vacuum generator
	22×76	AT - Mark free sponge	WS - White silicone	C - With built-in vacuum generator
	15×76	CA - Conductive sponge		
	15×90	B3 - φ3 Single-row suction cup		
	27×90	B5 - φ5 Single-row suction cup		
	60×120	B7 - φ7 Single-row suction cup		
		B3N - φ3 double-row suction cup		
		B5N - φ5 double-row suction cup		
		B7N - φ7 double-row suction cup		
		B3D - φ3 four-row suction cup		
		B5D - φ5 four-row suction cup		
		B7D - φ7 four-row suction cup		

Selection - Sponge type

Model/Adsorption surface type	A - Conventional sponge	AT - Mark free sponge	CA - Conductive sponge
TXN22×38-□	TXN22×38-A	TXN22×38-AT	TXN22×38-CA
TXN22×76-□	TXN22×76-A	TXN22×76-AT	TXN22×76-CA
TXN60×120-□-C	TXN60×120-A-C	-	-

Selection - Suction cup type

Model/Suction cup material	Nil - NBR	WS - White silicone
TXN15×76-B5N□-C	TXN15×76-B5N-C	TXN15×76-B5NWS-C
TXN15×76-B7N□-C	TXN15×76-B7N-C	TXN15×76-B7NWS-C
TXN15×90-B3□-C	TXN15×90-B3-C	TXN15×90-B3WS-C
TXN15×90-B5□-C	TXN15×90-B5-C	TXN15×90-B5WS-C
TXN15×90-B7□-C	TXN15×90-B7-C	TXN15×90-B7WS-C
TXN15×90-B3N□-C	TXN15×90-B3N-C	TXN15×90-B3NWS-C
TXN15×90-B5N□-C	TXN15×90-B5N-C	TXN15×90-B5NWS-C
TXN15×90-B7N□-C	TXN15×90-B7N-C	TXN15×90-B7NWS-C
TXN27×90-B3D□-C	TXN27×90-B3D-C	TXN27×90-B3DWS-C
TXN27×90-B5D□-C	TXN27×90-B5D-C	TXN27×90-B5DWS-C
TXN27×90-B7D□-C	TXN27×90-B7D-C	TXN27×90-B7DWS-C

TXN22×38/TXN22×76

Vacuum Gripper-Mini Type

Features

- ◇ The gripper is used in the handling and sorting process of light and small workpieces. It is suitable to handle multihole workpieces and partial leakage workpieces

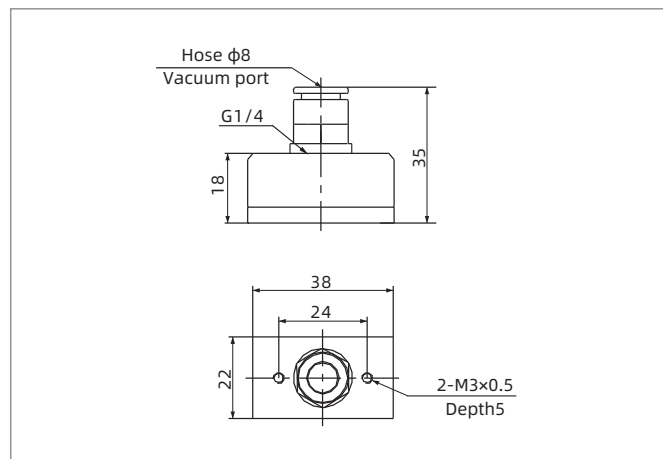


Technical parameters

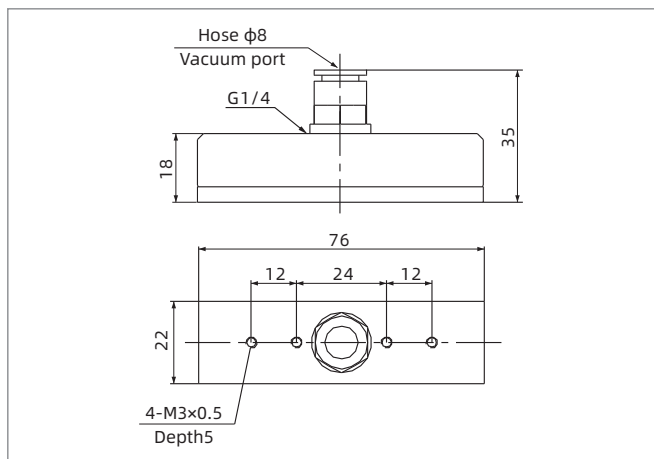
Model	Theoretical suction force N	Recommended min. flow of vacuum generator NL/min	Optional function	Working temperature °C	Weight g	Recommended hose dia.(mm) Vacuum port (V)
TXN22×38	18	≥40	Mark free/Conductive	0-60	45	φ8
TXN22×76	34	≥60	Mark free/Conductive	0-60	68	φ8

- ◇ Note: 1. Testing vacuum level is -60kPa, the data of theoretical suction force as above are figured out in the condition that the vacuum gripper is fully covered by a rigid airtight workpiece, and without considering safety factor.
- 2. The mark free in the optional function of the above table indicates that special materials are attached to the sponge surface to reduce the mark on the contact surface.
- 3. Conductivity in the optional function shown in the above table indicates the use of special conductive sponge materials.

Dimensions(mm)



TXN22x38



TXN22x76

Spare parts selection

Item	Sponge model	Dimension mm	Application
22×38 Conventional sponge	TXN38-A	22×38×4	Conventional application
22×38 Mark free sponge	TXN38-AT	22×38×4	Mark free application
22×38 Conductive sponge	TXN38-CA	22×38×4	Conductive application
22×76 Conventional sponge	TXN76-A	22×76×4	Conventional application
22×76 Mark free sponge	TXN76-AT	22×76×4	Mark free application
22×76 Conductive sponge	TXN76-CA	22×76×4	Conductive application

TXN15×76

Vacuum Gripper-Mini Type

Features

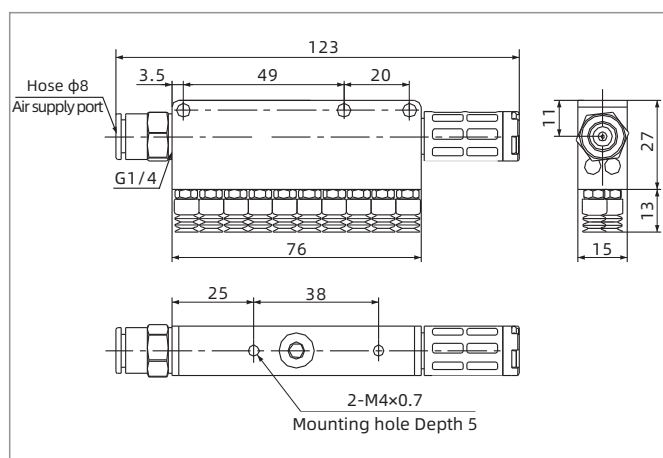
- ◇ The gripper is used in the handling and sorting process of light and small workpieces. It is suitable to handle multihole workpieces and partial leakage workpieces



Technical parameters

Model	Air supply pressure bar	Max.vacuum level -kPa	Max.vacuum flow NL/min	Air consumption NL/min	Working temperature °C	QTY of suction cup pcs	Weight g
TXN15×76	5.0	85	40	45	0~60	10	110

Dimensions (mm)



TXN15×76

Spare parts selection

Item	Model of suction cup	Diameter of suction cup mm
TXN suction cup	TXN-B5 TXN-B5WS	φ5
TXN suction cup	TXN-B7 TXN-B7WS	φ7

TXN15×90/TXN27×90

Vacuum Gripper-Mini Type



Features

- ◇ The gripper has throttling effect, which can be used to adsorb hollow porous, uneven, different shapes of workpieces. It can achieve suction without positioning, and can effectively grasp in case of leakage to protect workpieces

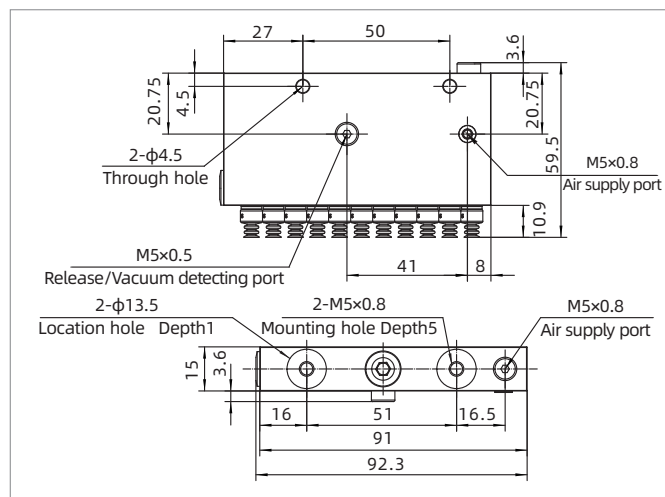


Technical parameters

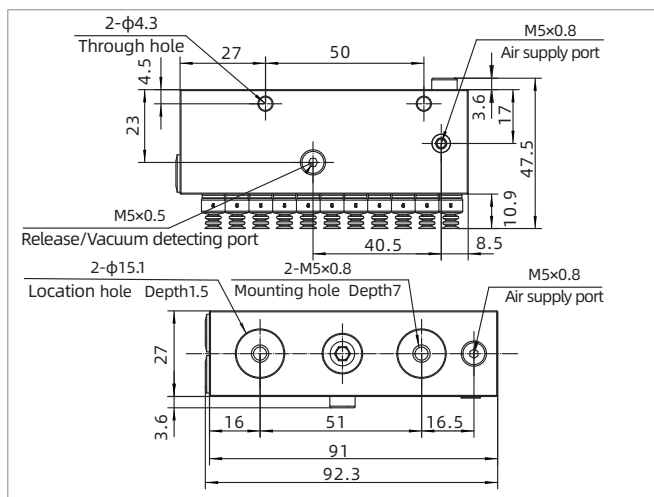
Model	Air supply pressure range bar	Max.vacuum level covered area 100%	Max.vacuum level covered area 25%	Max.vacuum flow NL/min	Air consumption NL/min	Working temperature °C	QTY of suction cup pcs	Weight g
TXN15×90	5.0-6.0	88	50	140	77	0~80	9/11	150
TXN27×90	5.0-6.0	88	25	140	77	0~80	22	190

- ◇ Note: 1. TXN15 × 90 can be made into single-row and double-row suction cups. The suction cup quantity of single-row is 9pcs, the suction cup quantity of double-row is 11pcs.
- 2. TXN27 × 90 can be only made into four-row suction cups, and the quantity of suction cups is 22pcs.

Dimensions(mm)



TXN15×90



TXN27×90

Vacuum gripper

TXN

TXD

TXC

TXM

TXP

TXH

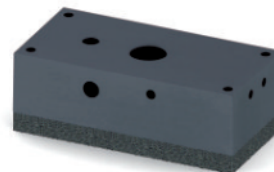
TXL

TXN60×120

Vacuum Gripper-Mini Type

Features

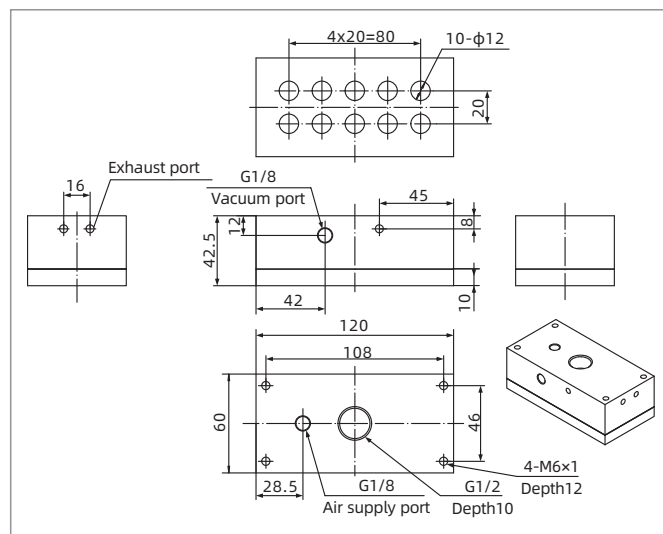
- ◇ The gripper is used in the handling and sorting process of light and small workpieces. It is suitable to handle multihole workpieces and partial leakage workpieces



Technical parameters

Model	Air supply pressure bar	Max.vacuum level -kPa	Max.vacuum flow NL/min	Air consumption NL/min	Working temperature °C	Air supply port	Weight g
TXN60×120	6.0	85	150	75	0-60	G1/8	500

Dimensions(mm)



TXN60×120

Spare parts selection

Item	Model	Dimension mm
60×120 sponge	TXN120-A	60×120×10

TXD Series

Vacuum Gripper-Light Load Type



PACKAGING

Features

- ◇ The housing is made of high quality aluminum alloy
- ◇ With built-in large flow vacuum generator
- ◇ Suction cup adsorption surface type, with built-in throttling function
- ◇ Sponge adsorption surface type, with large area structure of inner cavity

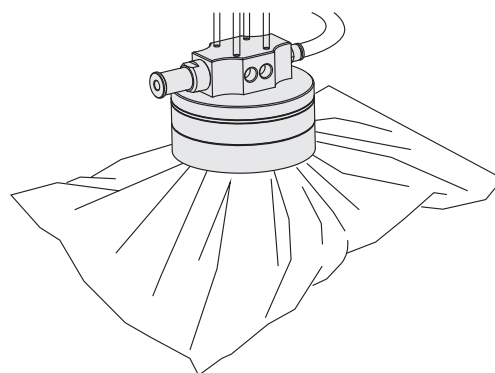
Advantages

- ◇ High strength and light weight
- ◇ Fast reaction time
- ◇ The inner cavity is large enough to handle the workpiece with obvious height difference on the surface



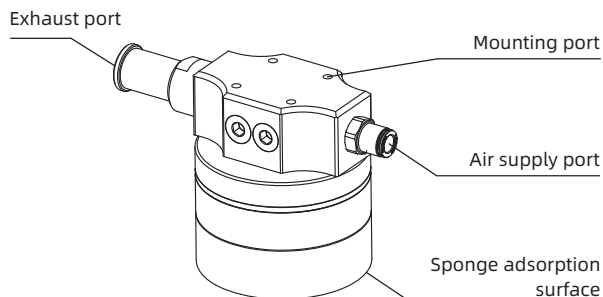
Applications

- ◇ Suction cup type is used to handle light and small sensitive workpieces, such as electronics, glass screen and electronic components, etc.
- ◇ Suction cup type is with built-in throttling function, which can be used to handle workpieces with leakage
- ◇ Sponge type is used for sorting and packing in packaging industry



Structure

- ◇ Vacuum source has flow type and vacuum type
- ◇ The adsorption surface has two structures: round and square
- ◇ Air supply port is equipped with $\phi 8$ one-touch fitting, which can be directly connected to the hose. There is a vacuum port on the side. The exhaust way is direct exhaust.



Vacuum gripper

- TXN
- TXD
- TXC
- TXM
- TXP
- TXH
- TXL

TXD Series

Vacuum Gripper-Light Load Type

How to order

TXD 80 S - H
① ② ③ ④

① Series	② Dimension	③ Adsorption surface type		④ Vacuum source type
TXD	80	R	- Square sponge	H - Vacuum type (-95kPa)
	100	S	- Round sponge	L - Flow type (-75kPa)
	120	B3N/B5N/B7N	- Round NBR suction cup	
		B3WS/B5WS/B7WS	- Round silicone suction cup	

Selection-Sponge type

Model/adsorption surface type	R - Square sponge		S - Round sponge	
TXD80□-□	TXD80R-H	TXD80R-L	TXD80S-H	TXD80S-L
TXD100□-□	TXD100R-H	TXD100R-L	TXD100S-H	TXD100S-L
TXD120□-□	TXD120R-H	TXD120R-L	TXD120S-H	TXD120S-L

Selection-suction cup type

Model/suction cup material	Nil-NBR		WS-White silicone	
TXD80B3□-□	TXD80B3N-H	TXD80B3N-L	TXD80B3WS-H	TXD80B3WS-L
TXD80B5□-□	TXD80B5N-H	TXD80B5N-L	TXD80B5WS-H	TXD80B5WS-L
TXD80B7□-□	TXD80B7N-H	TXD80B7N-L	TXD80B7WS-H	TXD80B7WS-L

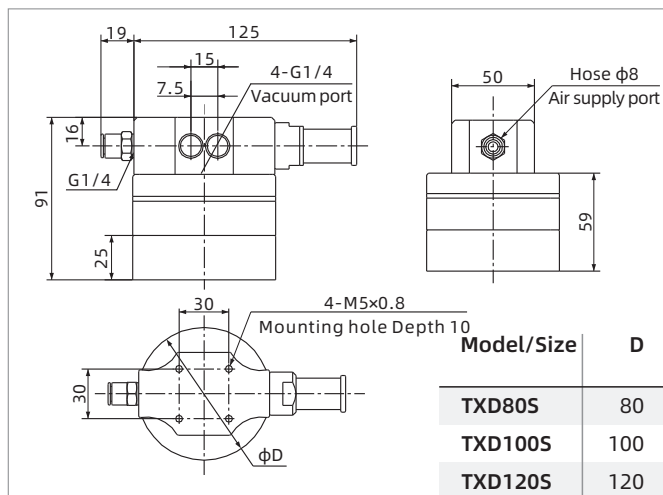
Technical parameters

Model	Rated air supply pressure bar	Max.vacuum level -kPa	Max.vacuum flow NL/min	Air consumption NL/min	Weight kg	Recommended hose dia. (mm) Air supply port P
TXD80R-L	6.0	75	180	120	0.55	φ8
TXD80R-H	5.0	95	170	125	0.55	φ8
TXD80S-L	6.0	75	180	120	0.5	φ8
TXD80S-H	5.0	95	170	125	0.5	φ8
TXD80B-L	6.0	75	180	120	0.65	φ8
TXD80B-H	5.0	95	170	125	0.7	φ8
TXD100R-L	6.0	75	180	120	0.65	φ8
TXD100R-H	5.0	95	170	125	0.65	φ8
TXD100S-L	6.0	75	180	120	0.6	φ8
TXD100S-H	5.0	95	170	125	0.6	φ8
TXD120R-L	6.0	75	180	120	0.73	φ8
TXD120R-H	5.0	95	170	125	0.73	φ8
TXD120S-L	6.0	75	180	120	0.8	φ8
TXD120S-H	5.0	95	170	125	0.8	φ8

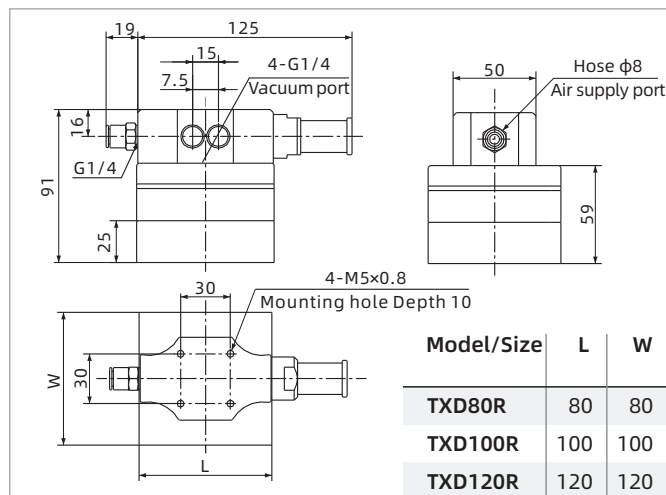
TXD Series

Vacuum Gripper-Light Load Type

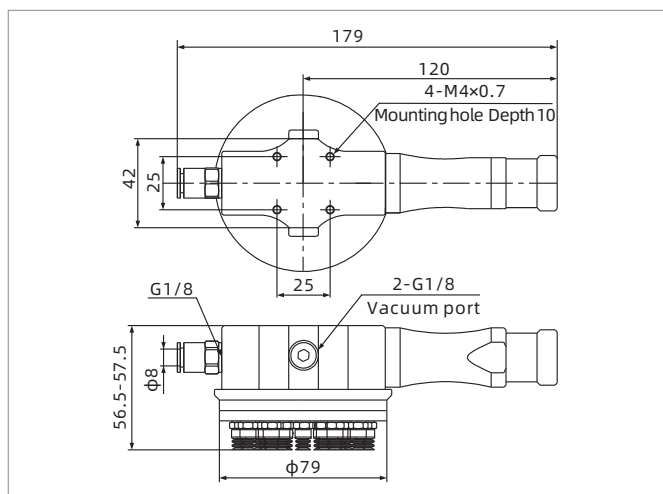
Dimensions(mm)



TXD□S - Round sponge



TXD□R - Square sponge



TXD80B - Round suction cup

Spare parts selection

Item	Adsorption surface model	Adsorption surface dimension mm	Applicable gripper model
TXD80R Spone	TXD80RA	80×80×25	TXD80R-H、TXD80R-L
TXD80S Spone	TXD80SA	φ80×25	TXD80S-H、TXD80S-L
TXD100R Spone	TXD100RA	100×100×25	TXD100R-H、TXD100R-L
TXD100S Spone	TXD100SA	φ100×25	TXD100S-H、TXD100S-L
TXD120R Spone	TXD120RA	120×120×25	TXD120R-H、TXD120R-L
TXD120S Spone	TXD120SA	φ120×25	TXD120S-H、TXD120S-L

Vacuum gripper

TXN

TXD

TXC

TXM

TXP

TXH

TXL

TXC Series

Vacuum Gripper -Vacuum Generator Standard Type



UNIVERSAL

Features

- ◇ The housing is made of high quality aluminum alloy
- ◇ With built-in large flow vacuum generator
- ◇ Suction cup type and sponge type are optional for adsorption surface
- ◇ Built-in non-return valve can be selected

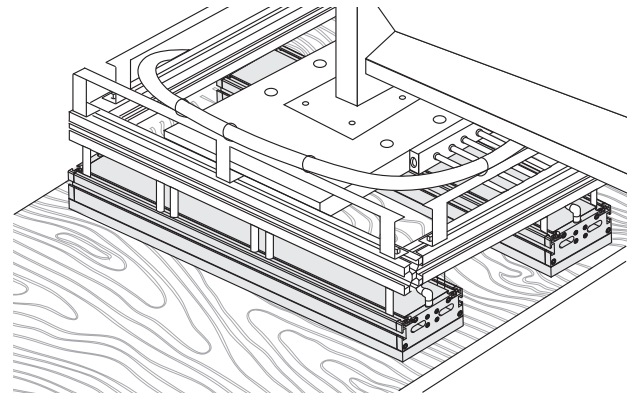
Advantages

- ◇ High strength and light weight
- ◇ Fast reaction time
- ◇ Suitable for the handling of various industries
- ◇ It can meet the handling of different dimension workpieces



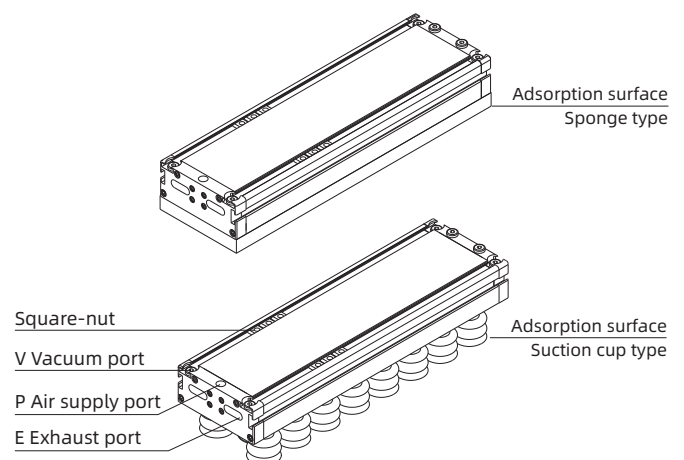
Applications

- ◇ Mainly used in the packaging industry, such as intelligent warehousing, intelligent logistics, stacking and unstacking, unmanned sorting, etc.
- ◇ With built-in non-return valve, it can be used to adsorb the workpieces with certain leakage, different sizes and different shapes
- ◇ Because of its light weight, it is very suitable for robots



Structure

- ◇ The main body is made of aluminum alloy, with T-shaped slots on the front and side respectively, which can be used for installation or mounting of the inductive switch
- ◇ It is equipped with Square-nut (M8 × 18 × 14 × 5.5)
- ◇ TXC130 × 400-800 has one air supply port (G1 / 4F) and six vacuum ports (6-G1 / 8F), direct exhaust from the side of the air supply end cover
- ◇ TXC130 × 1000-1200 has one air supply port (G1 / 4F) and four vacuum ports (4-G1 / 8F) at both end covers, direct exhaust from the side of the air supply end covers
- ◇ With built-in large flow vacuum generator, non-return valve is optional
- ◇ For sponge type, A1, A3, A5 sponge can be selected
- ◇ For suction cup type, B30, B40 can be selected



How to order

TXC 130×400 - A3 - V

① ② ③ ④

① Series	② Dimension	③ Adsorption surface type	④ Non-return valve
TXC	130×400	A1 - Single row sponge holes	Nil - Default, Without non-return valve
	130×600	A3 - Three rows sponge holes	(Throttling hole structure)
	130×800	A5 - Five rows sponge holes	V - With non-return valve
	130×1000	B30 - Suction cup type(suction cup dia.30mm)	(Ball valve structure)
	130×1200	B40 - Suction cup type(suction cup dia.40mm)	
	130×1400		

Selection-Standard type

Model/ Adsorption surface type	A1 - Single row sponge holes	A3 - Three rows sponge holes	A5 - Five rows sponge holes	B30 - Suction cup type	B40 - Suction cup type
TXC130×400-□	TXC130×400-A1	TXC130×400-A3	TXC130×400-A5	TXC130×400-B30	TXC130×400-B40
TXC130×600-□	TXC130×600-A1	TXC130×600-A3	TXC130×600-A5	TXC130×600-B30	TXC130×600-B40
TXC130×800-□	TXC130×800-A1	TXC130×800-A3	TXC130×800-A5	TXC130×800-B30	TXC130×800-B40
TXC130×1000-□	TXC130×1000-A1	TXC130×1000-A3	TXC130×1000-A5	TXC130×1000-B30	TXC130×1000-B40
TXC130×1200-□	TXC130×1200-A1	TXC130×1200-A3	TXC130×1200-A5	TXC130×1200-B30	TXC130×1200-B40
TXC130×1400-□	TXC130×1400-A1	TXC130×1400-A3	-	TXC130×1400-B30	TXC130×1400-B40

Vacuum gripper

 TXN
TXD
TXC
TXM
TXP
TXH
TXL

Selection-With non-return valve

Model/ Adsorption surface type	A1 - Single row sponge holes	A3 - Three rows sponge holes	A5 - Five rows sponge holes	B30 - Suction cup type	B40 - Suction cup type
TXC130×400-□-V	TXC130×400-A1-V	TXC130×400-A3-V	TXC130×400-A5-V	TXC130×400-B30-V	TXC130×400-B40-V
TXC130×600-□-V	TXC130×600-A1-V	TXC130×600-A3-V	TXC130×600-A5-V	TXC130×600-B30-V	TXC130×600-B40-V
TXC130×800-□-V	TXC130×800-A1-V	TXC130×800-A3-V	TXC130×800-A5-V	TXC130×800-B30-V	TXC130×800-B40-V
TXC130×1000-□-V	TXC130×1000-A1-V	TXC130×1000-A3-V	TXC130×1000-A5-V	TXC130×1000-B30-V	TXC130×1000-B40-V
TXC130×1200-□-V	TXC130×1200-A1-V	TXC130×1200-A3-V	TXC130×1200-A5-V	TXC130×1200-B30-V	TXC130×1200-B40-V
TXC130×1400-□-V	TXC130×1400-A1-V	TXC130×1400-A3-V	-	TXC130×1400-B30-V	TXC130×1400-B40-V

Technical parameters

Model	Rated air supply pressure bar	Max.vacuum flow NL/min	Air consumption NL/min	Max.theoretical suction force N (-60kPa)	Weight kg V-with non- return valve	Recommended hose dia. mm	QTY of suction hole PCS
TXC130×400-A1	6.0	710	230	559	2.6	1×φ10	15
TXC130×600-A1	6.0	1,050	345	820	3.4	1×φ10	22
TXC130×800-A1	6.0	1,410	460	1,180	4.2	1×φ10	30
TXC130×1000-A1	6.0	1,760	575	1,379	5.4	2×φ10	37
TXC130×1200-A1	6.0	2,100	690	1,640	6.2	2×φ10	44
TXC130×1400-A1	6.0	2,460	805	1,901	7.4	2×φ10	52

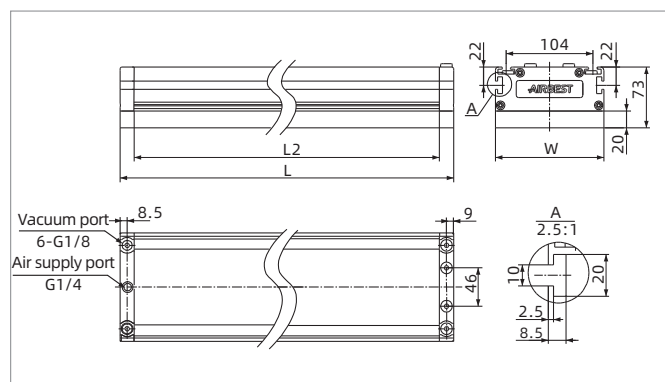
Vacuum Gripper -Vacuum Generator Standard Type

Technical parameters

Model	Rated air supply pressure bar	Max.vacuum flow NL/min	Air consumption NL/min	Max.theoretical suction force N (-60kPa)	Weight KG V-with non-return valve	Recommended hose dia. mm	QTY of suction hole PCS
TXC130×400-A3	6.0	710	230	344	2.6	1×φ10	65
TXC130×600-A3	6.0	1,050	345	519	3.4	1×φ10	98
TXC130×800-A3	6.0	1,410	460	694	4.2	1×φ10	131
TXC130×1000-A3	6.0	1,760	575	869	5.4	2×φ10	164
TXC130×1200-A3	6.0	2,100	690	1,044	6.2	2×φ10	197
TXC130×1400-A3	6.0	2,460	805	1,219	7.4	2×φ10	230
TXC130×400-A5	6.0	710	230	340	2.6	1×φ10	108
TXC130×600-A5	6.0	1,050	345	510	3.4	1×φ10	165
TXC130×800-A5	6.0	1,410	460	670	4.2	1×φ10	220
TXC130×1000-A5	6.0	1,760	575	870	5.4	2×φ10	275
TXC130×1200-A5	6.0	2,460	805	1,010	6.2	2×φ10	330
TXC130×400-B30	6.0	710	230	588	3.3	1×φ10	28
TXC130×600-B30	6.0	1,050	345	903	4.3	1×φ10	43
TXC130×800-B30	6.0	1,410	460	1,155	5.4	1×φ10	55
TXC130×1000-B30	6.0	1,760	575	1,470	7.0	2×φ10	70
TXC130×1200-B30	6.0	2,100	690	1,785	8.1	2×φ10	85
TXC130×1400-B30	6.0	2,460	805	2,058	9.6	2×φ10	98
TXC130×400-B40	6.0	710	230	867	3.6	1×φ10	23
TXC130×600-B40	6.0	1,050	345	1,319	4.9	1×φ10	35
TXC130×800-B40	6.0	1,410	460	1,771	6.2	1×φ10	47
TXC130×1000-B40	6.0	1,760	575	2,224	7.9	2×φ10	59
TXC130×1200-B40	6.0	2,100	690	2,676	9.3	2×φ10	71
TXC130×1400-B40	6.0	2,460	805	3,129	10.9	2×φ10	83

◇ Note: The suction force in the above table is the theoretical suction force obtained under the condition that the vacuum gripper is fully covered by a rigid airtight workpiece, and without considering safety factor.

Dimensions(mm)



TXC130×400/600/800-A Sponge type

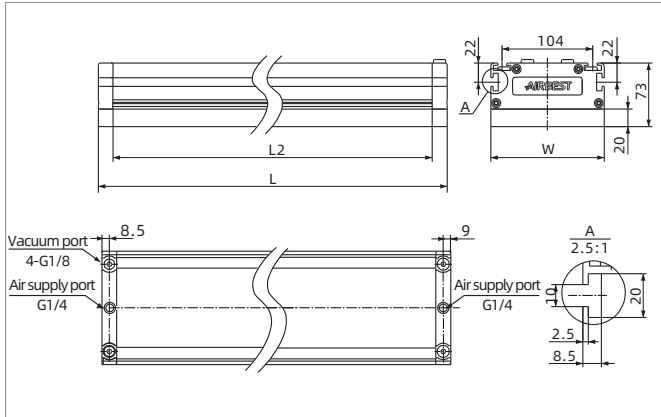
Model/Size	L	L2	W
TXC130×400-A	434	400	130
TXC130×600-A	634	600	130
TXC130×800-A	834	800	130

TXC Series



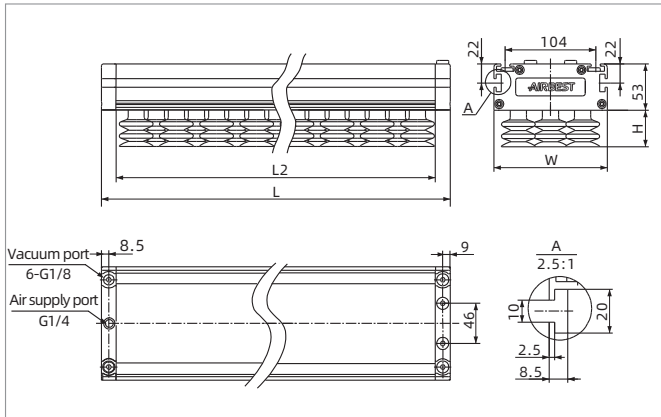
Vacuum Gripper - Vacuum Generator Standard Type

Dimensions(mm)



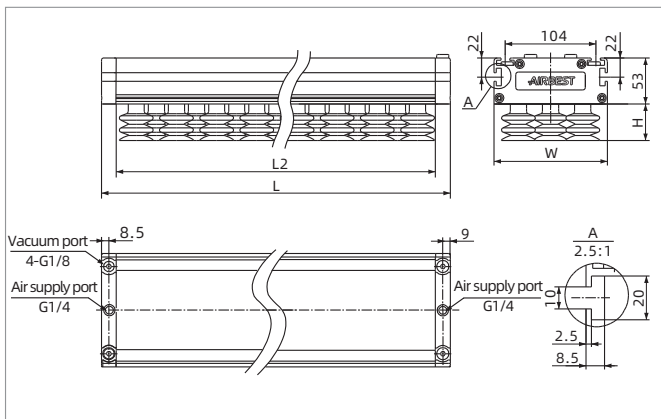
TXC130x1000/1200/1400-A Sponge type

Model/Size	L	L2	W
TXC130x1000-A	1,034	1,000	130
TXC130x1200-A	1,234	1,200	130
TXC130x1400-A	1,434	1,400	130



TXC130x400/600/800-B Suction cup type

Model/Size	L	L2	W	B30	H B40
TXC130x400-B	434	400	130	37	45
TXC130x600-B	634	600	130	37	45
TXC130x800-B	834	800	130	37	45



TXC130x1000/1200/1400-B Suction cup type

Model/Size	L	L2	W	B30	H B40
TXC130x1000-B	1,034	1,000	130	37	45
TXC130x1200-B	1,234	1,200	130	37	45
TXC130x1400-B	1,434	1,400	130	37	45

Vacuum gripper

TXN

TXD

TXC

TXM

TXP

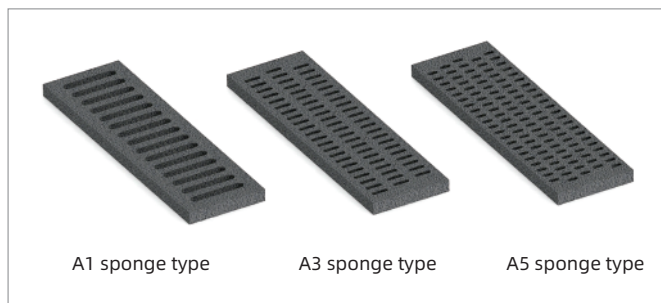
TXH

TXL

TXC Series

Vacuum Gripper -Vacuum Generator Standard Type

Spare parts selection(mm)



Sponge type



Suction cup type

Spare parts selection

Item	Model	Dimension mm
Sponge	TXC400-A1, TXC400-A3, TXC400-A5	434×130×20
	TXC600-A1, TXC600-A3, TXC600-A5	634×130×20
	TXC800-A1, TXC800-A3, TXC800-A5	834×130×20
	TXC1000-A1, TXC1000-A3, TXC1000-A5	1034×130×20
	TXC1200-A1, TXC1200-A3, TXC1200-A5	1234×130×20
Suction cup	TXC1400-A1, TXC1400-A3,	1434×130×20
	SPC30S	φ30
	SPC40S	φ40

◇ Note: Sponges are consumables in this product. Please replace it in time according to actual working conditions, otherwise, it will affect the adsorption effect.
 Operating temperature: - 10 ~ 60 °C, do not contact with strong acid, strong alkali and other corrosive gas or liquid, do not contact with sharp objects.

TXM Series

Vacuum Gripper-Blower Standard Type



UNIVERSAL

Features

- ◇ The housing is made of high quality aluminum alloy
- ◇ External vacuum generator or blower can be connected
- ◇ Suction cup type and sponge type are optional for adsorption surface
- ◇ Built-in non-return valve can be selected

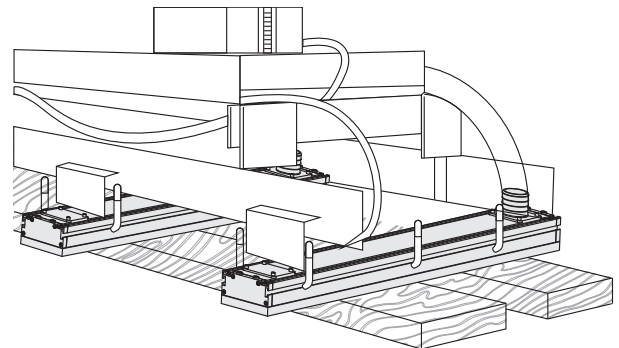
Advantages

- ◇ High strength and light weight
- ◇ The vacuum source can be selected accurately according to the actual working condition
- ◇ Suitable for the handling of various industries
- ◇ It can meet the handling of different dimension workpieces



Applications

- ◇ Mainly used in the packaging industry, such as intelligent warehousing, intelligent logistics, stacking and unstacking, unmanned sorting, etc.
- ◇ With built-in non-return valve, it can be used to adsorb the workpieces with certain leakage, different sizes and different shapes
- ◇ Because of its light weight, it is very suitable for robots

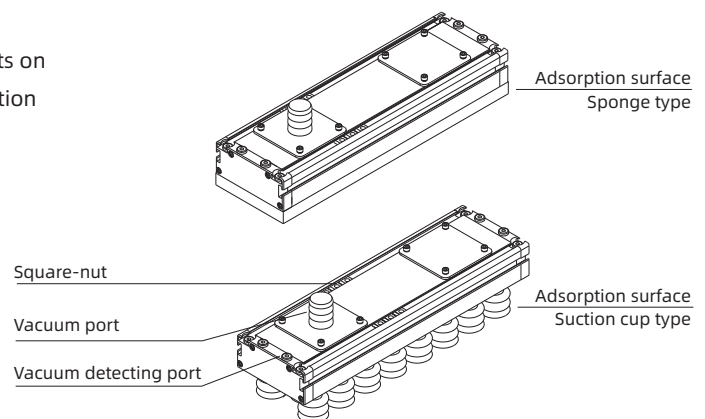


Vacuum gripper

- TXN
- TXD
- TXC
- TXM**
- TXP
- TXH
- TXL

Structure

- ◇ The main body is made of aluminum alloy, with T-shaped slots on the front and side respectively, which can be used for installation or mounting of the inductive switch
- ◇ It is equipped with Square-nut (M8 × 18 × 14 × 5.5)
- ◇ The gripper has one vacuum port and 8 vacuum detecting ports (8-G1/8F). The vacuum port can connect to external steel wire hose
- ◇ Non-return valve is optional
- ◇ For sponge type, A1, A3, A5 sponge can be selected
- ◇ For suction cup type, B30, B40 can be selected



How to order

TXM 130×400 - A3 - V

① ② ③ ④

① Series	② Dimension	③ Adsorption surface type	④ Non-return valve
TXM	130×400	A1 - Single row sponge holes	Nil - Default, Without non-return valve (Throttling hole structure)
	130×600	A3 - Three rows sponge holes	
	130×800	A5 - Five rows sponge holes	V - With non-return valve (Ball valve structure)
	130×1000	B30 - Suction cup type(suction cup dia.30mm)	
	130×1200	B40 - Suction cup type(suction cup dia.40mm)	
	130×1400		

Selection-Standard type

Model/ Adsorption surface type	A1 - Single row sponge holes	A3 - Three rows sponge holes	A5 - Five rows sponge holes	B30 - Suction cup type	B40 - Suction cup type
TXM130×400-□	TXM130×400-A1	TXM130×400-A3	TXM130×400-A5	TXM130×400-B30	TXM130×400-B40
TXM130×600-□	TXM130×600-A1	TXM130×600-A3	TXM130×600-A5	TXM130×600-B30	TXM130×600-B40
TXM130×800-□	TXM130×800-A1	TXM130×800-A3	TXM130×800-A5	TXM130×800-B30	TXM130×800-B40
TXM130×1000-□	TXM130×1000-A1	TXM130×1000-A3	TXM130×1000-A5	TXM130×1000-B30	TXM130×1000-B40
TXM130×1200-□	TXM130×1200-A1	TXM130×1200-A3	TXM130×1200-A5	TXM130×1200-B30	TXM130×1200-B40
TXM130×1400-□	TXM130×1400-A1	TXM130×1400-A3	TXM130×1400-A5	TXM130×1400-B30	TXM130×1400-B40

Selection-With non-return valve

Model/ Adsorption surface type	A1 - Single row sponge holes	A3 - Three rows sponge holes	A5 - Five rows sponge holes	B30 - Suction cup type	B40 - Suction cup type
TXM130×400-□-V	TXM130×400-A1-V	TXM130×400-A3-V	TXM130×400-A5-V	TXM130×400-B30-V	TXM130×400-B40-V
TXM130×600-□-V	TXM130×600-A1-V	TXM130×600-A3-V	TXM130×600-A5-V	TXM130×600-B30-V	TXM130×600-B40-V
TXM130×800-□-V	TXM130×800-A1-V	TXM130×800-A3-V	TXM130×800-A5-V	TXM130×800-B30-V	TXM130×800-B40-V
TXM130×1000-□-V	TXM130×1000-A1-V	TXM130×1000-A3-V	TXM130×1000-A5-V	TXM130×1000-B30-V	TXM130×1000-B40-V
TXM130×1200-□-V	TXM130×1200-A1-V	TXM130×1200-A3-V	TXM130×1200-A5-V	TXM130×1200-B30-V	TXM130×1200-B40-V
TXM130×1400-□-V	TXM130×1400-A1-V	TXM130×1400-A3-V	TXM130×1400-A5-V	TXM130×1400-B30-V	TXM130×1400-B40-V

Technical parameters

Model	Max.theoretical suction force N (-30kPa)	Max.theoretical suction force N (-40kPa)	Max.theoretical suction force N (-50kPa)	Max.theoretical suction force N (-60kPa)	Weight kg V-with non- return valve	Blower connection port dia. mm	QTY of suction hole PCS
TXM130×400-A1	280	373	465	559	2.3	φ32	15
TXM130×600-A1	410	546	683	820	3.1	φ32	22
TXM130×800-A1	590	787	984	1,180	3.9	φ60	30
TXM130×1000-A1	690	919	1,149	1,379	4.6	φ60	37
TXM130×1200-A1	820	1,093	1,367	1,640	5.4	φ60	44
TXM130×1400-A1	951	1,267	1,584	1,901	6.6	φ60	52

TXM Series



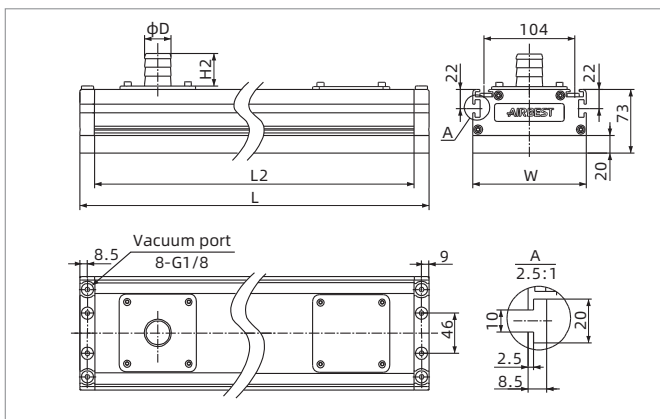
Vacuum Gripper-Blower Standard Type

Technical parameters

Model	Max.theoretical suction force N (-30kPa)	Max.theoretical suction force N (-40kPa)	Max.theoretical suction force N (-50kPa)	Max.theoretical suction force N (-60kPa)	Weight kg V-with non-return valve	Blower connection port dia. mm	QTY of suction hole PCS
TXM130×400-A3	169	227	286	344	2.3	φ32	65
TXM130×600-A3	254	343	431	519	3.1	φ32	98
TXM130×800-A3	340	458	576	694	3.9	φ60	131
TXM130×1000-A3	426	574	721	869	4.6	φ60	164
TXM130×1200-A3	512	689	866	1,044	5.4	φ60	197
TXM130×1400-A3	598	805	1,012	1,219	6.6	φ60	230
TXM130×400-A5	170	226	283	340	2.3	φ32	108
TXM130×600-A5	255	340	425	510	3.1	φ32	165
TXM130×800-A5	335	447	558	670	3.9	φ60	220
TXM130×1000-A5	435	580	725	870	4.6	φ60	275
TXM130×1200-A5	505	673	842	1,010	5.4	φ60	330
TXM130×1400-A5	590	787	983	1,180	6.6	φ60	385
TXM130×400-B30	294	392	490	588	3.1	φ32	28
TXM130×600-B30	451	602	752	903	4.1	φ32	43
TXM130×800-B30	577	770	962	1,155	5.3	φ60	55
TXM130×1000-B30	735	980	1,225	1,470	6.2	φ60	70
TXM130×1200-B30	892	1,190	1,487	1,785	7.3	φ60	85
TXM130×1400-B30	1,029	1,372	1,715	2,058	8.8	φ60	98
TXM130×400-B40	432	575	722	867	3.3	φ32	23
TXM130×600-B40	658	875	1,099	1,319	4.6	φ32	35
TXM130×800-B40	883	1,175	1,475	1,771	6.0	φ60	47
TXM130×1000-B40	1,109	1,475	1,852	2,224	7.1	φ60	59
TXM130×1200-B40	1,334	1,775	2,229	2,676	8.5	φ60	71
TXM130×1400-B40	1,560	2,075	2,606	3,129	10.1	φ60	83

◇ Note: The suction force in the above table is the theoretical suction force obtained under the condition that the vacuum gripper is fully covered by a rigid airtight workpiece, and without considering safety factor.

Dimensions(mm)



TXM130×400(600-1400)-A Sponge type

Model/Size	L	L2	W	D	H2
TXM130×400-A	434	400	130	33	40
TXM130×600-A	634	600	130	33	40
TXM130×800-A	834	800	130	61	50
TXM130×1000-A	1,034	1,000	130	61	50
TXM130×1200-A	1,234	1,200	130	61	50
TXM130×1400-A	1,434	1,400	130	61	50

Vacuum gripper

TXN

TXD

TXC

TXM

TXP

TXH

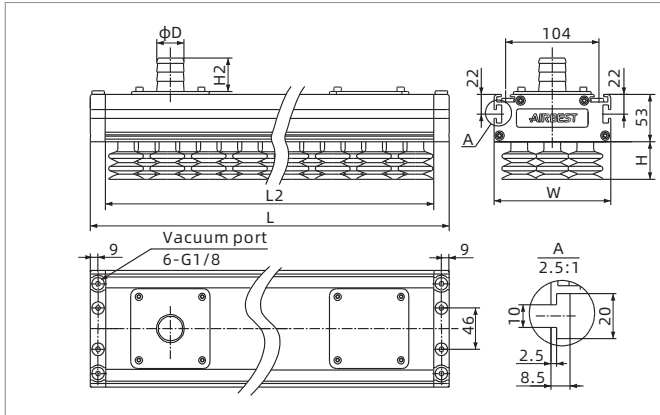
TXL

TXM Series



Vacuum Gripper-Blower Standard Type

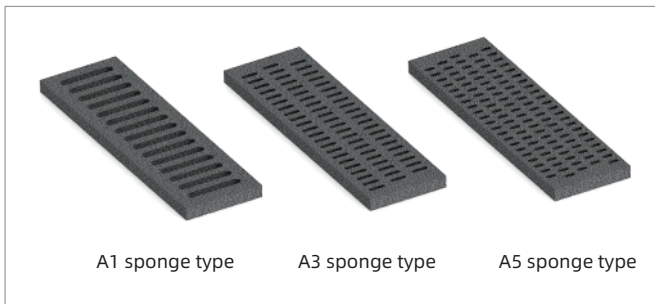
Dimensions(mm)



TXM130×400(600-1400)-B Suction cup type

Model/size	L	L2	W	D	H2	H	
						B30	B40
TXM130×400-B	434	400	130	33	40	37	45
TXM130×600-B	634	600	130	33	40	37	45
TXM130×800-B	834	800	130	61	50	37	45
TXM130×1000-B	1,034	1,000	130	61	50	37	45
TXM130×1200-B	1,234	1,200	130	61	50	37	45
TXM130×1400-B	1,434	1,400	130	61	50	37	45

Spare parts selection(mm)



Sponge type



Suction cup type

Spare parts selection

Item	Model	Dimension mm
Sponge	TXC400-A1, TXC400-A3, TXC400-A5	434×130×20
	TXC600-A1, TXC600-A3, TXC600-A5	634×130×20
	TXC800-A1, TXC800-A3, TXC800-A5	834×130×20
	TXC1000-A1, TXC1000-A3, TXC1000-A5	1034×130×20
	TXC1200-A1, TXC1200-A3, TXC1200-A5	1234×130×20
	TXC1400-A1, TXC1400-A3, TXC1400-A5	1434×130×20
Suction cup	SPC30S	φ30
	SPC40S	φ40

◇ Note: Sponges are consumables in this product. Please replace it in time according to actual working conditions, otherwise, it will affect the adsorption effect.
Operating temperature: - 10 ~ 60 °C, do not contact with strong acid, strong alkali and other corrosive gas or liquid, do not contact with sharp objects.

TXP Series

Vacuum Gripper-Oval Shaped



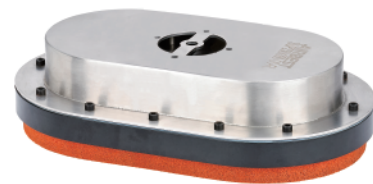
PACKAGING

Features

- ◇ The housing is made of high quality stainless steel
- ◇ External blower is used for vacuum source
- ◇ Large inside area structure

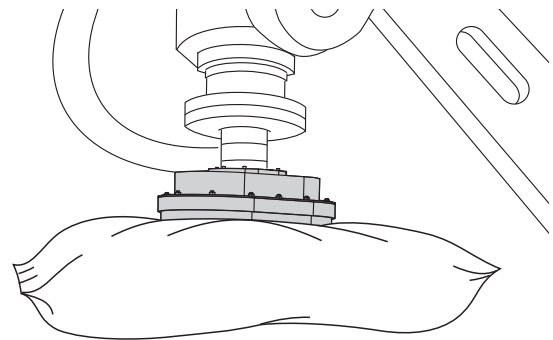
Advantages

- ◇ High strength, mainly used in high load working conditions
- ◇ Achieve stable and fast handling of products
- ◇ Maximize the suction force by increasing the adsorption area



Applications

- ◇ Mainly used for handling objects with large deformation, serious concave and convex surface and certain air permeability under high load conditions, such as flour bags, rice bags, cement bags and so on

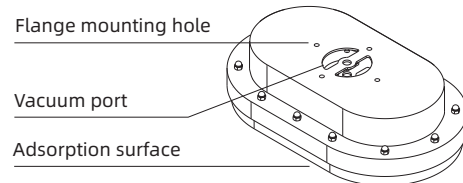
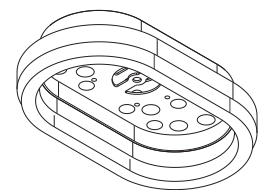


Vacuum gripper

- TXN
- TXD
- TXC
- TXM**
- TXP**
- TXH
- TXL

Structure

- ◇ The housing is made of stainless steel, and the flange mounting hole is reserved at the top
- ◇ Large area oval cavity structure design
- ◇ Foam rubber is used for adsorption with good sealing and long lifetime.
The foam rubber can be purchased separately and replaced by users themselves



TXP Series

Vacuum Gripper-Oval Shaped

How to order

TXP 230×380 - A

① ② ③

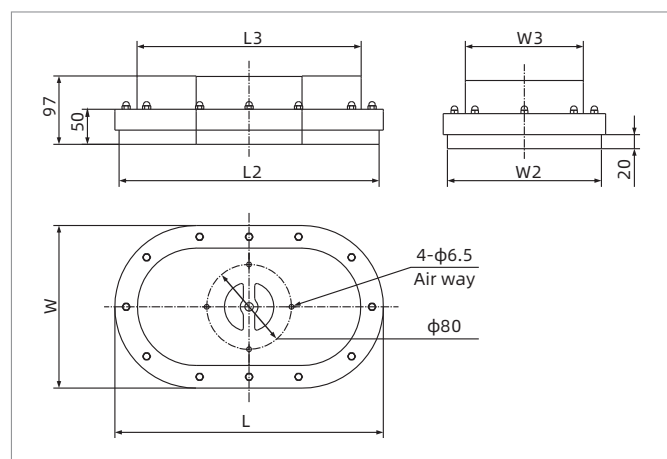
① Series	② Dimension	③ Adsorption surface type
TXP	190×290 230×380	A - Foam rubber

Technical parameters

Model	Recommended blower flow m ³ /h	Max.theoretical suction force N (-40kPa)	Weight kg	Recommended hose dia. of blower mm
TXP190×290-A	200	860	2.9	φ60
TXP230×380-A	200	1,440	4.0	φ60

◇ Note: The suction force in the above table is the theoretical suction force obtained under the condition that the vacuum gripper is fully covered by a rigid airtight workpiece, and without considering safety factor.

Dimensions(mm)



TXP

Model/size	W	W2	W3	L	L2	L3
TXP190×290-A	200	190	132	300	280	236
TXP230×380-A	228	220	164	378	360	314

Spare parts selection

Item	Model	Applicable vacuum gripper
Foam rubber	TXP190	TXP190×290-A
	TXP230	TXP230×380-A

TXH Series

Vacuum Gripper-Heavy Load Type



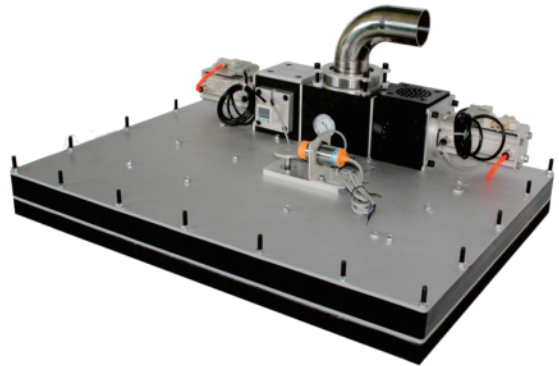
UNIVERSAL HEAVY LOAD

Features

- ◇ Large area structure design
- ◇ Vacuum source can be built-in vacuum generator or external blower
- ◇ Suction cup type and sponge type are optional for adsorption surface
- ◇ Built-in non-return valve structure

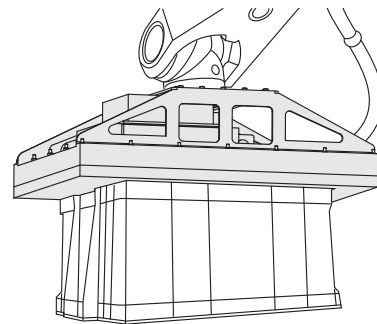
Advantages

- ◇ Large area adsorption structure, mainly used in high load working conditions
- ◇ Customers can select flexibly according to the actual working conditions
- ◇ Suitable for the handling of various industries
- ◇ It can meet the handling of different dimension workpieces



Applications

- ◇ Mainly used in heavy load sorting system, intelligent warehousing, stacking and unstacking, logistics, etc.



Vacuum gripper

- TXN
- TXD
- TXC
- TXM
- TXP**
- TXH
- TXL

How to order

TXH 500×700 - A - C - V
①
②
③
④
⑤

① Series	② Dimension	③ Adsorption surface type	④ Vacuum source	⑤ Non-return valve
TXH	500×700	A - Sponge	Nil - Without vacuum source	V-with non-return valve
	800×1000	B40 - Suction cup	C - With external vacuum generator	
	1100×1300			

Selection

Model/Adsorption surface type	A - Sponge	B40 - Suction cup
TXH500×700-□-C-V	TXH500×700-A-C-V	-
TXH800×1000-□-V	TXH800×1000-A-V	TXH800×1000-B40-V
TXH1100×1300-□-V	TXH1100×1300-A-V	TXH1100×1300-B40-V

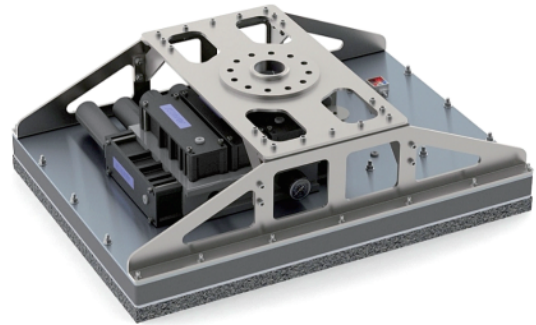
TXH500×700-A-C-V

Vacuum Gripper-Heavy Load Type



Features

- ◇ Large area handling, heavy load application
- ◇ Built-in large flow vacuum generator, fast reaction time
- ◇ Built-in non-return valve structure, which can meet the handling of various dimension workpieces
- ◇ The adsorption surface is sponge
- ◇ Mainly used in sorting system, stacking and unstacking industry

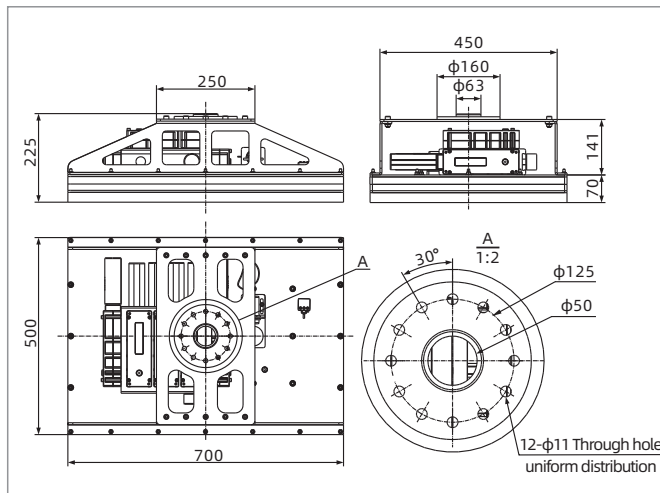


Technical parameters

Model	Rated air supply pressure bar	Max.vacuum level -kPa	Max.vacuum flow NL/min	Air consumption NL/min	Max.theoretical suction force N (-40kPa)	Mounting bracket	Weight kg	Recommended hose dia. mm Air supply port (P)
TXH500×700-A-C-V	6.0	85	3,710	2,300	1,440	with	36.5	φ16

- ◇ Note: 1. The detecting device includes 1 mechanical negative pressure gauge, 1 digital pressure gauge and 1 photoelectric inductive switch, and NPN output
- 2. The data of theoretical suction force as above are figured out in the condition that the gripper is fully covered by rigid airtight workpieces without considering safety factor.

Dimensions(mm)



TXH500×700-A-C-V

Spare parts selection

Item	Model	Dimension mm	Applicable vacuum gripper
Sponge	TXH500×700	500×700×25	TXH500×700-A-C-V

TXH500×700-A-V

Vacuum Gripper-Heavy Load Type

Features

- ◇ Applicable for packaging and logistics industry, such as box handling, stacking and unstacking. High quality sponge fits the uneven surface perfectly with the performance of long lifetime and good sealing. The vacuum source is external blower. It is equipped with built-in check valve and reversing valve control unit for blower. The vacuum detecting switch and approach switch are equipped as well to provide convenience for automatic control systems

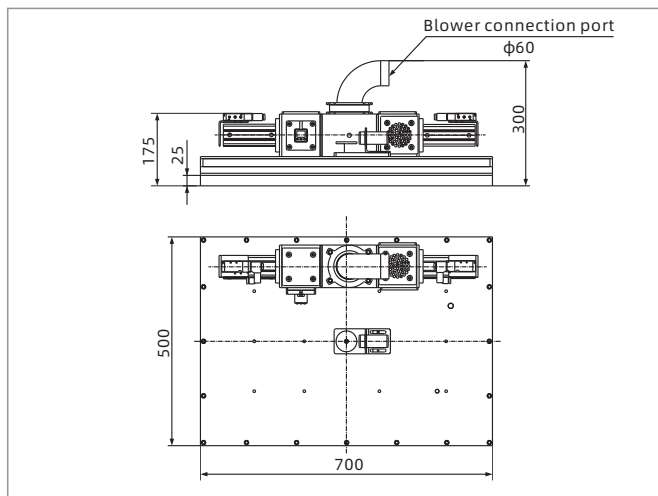


Technical parameters

Model	Max.theoretical suction force N (-40kPa)	Recommended blower flow m ³ /h	Working voltage of control unit V	Reverser for blower	Mounting bracket	Weight kg	Blower connection port dia. mm
TXH500×700-A-V	1,440	170	DC24V	with	without	36.5	φ60

- ◇ Note: 1. The detecting device includes 1 mechanical negative pressure gauge, 1 digital pressure gauge and 1 photoelectric inductive switch.
- 2. The data of theoretical suction force as above are figured out in the condition that the gripper is fully covered by rigid airtight workpieces without considering safety factor.

Dimensions(mm)



TXH500×700-A-V

Spare parts selection

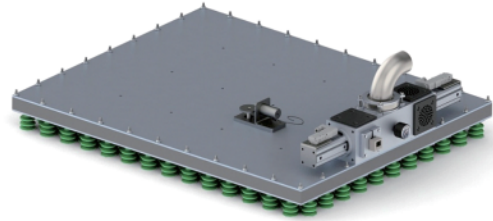
Item	Model	Dimension mm	Applicable vacuum gripper
Sponge	TXH500×700	500×700×25	TXH500×700-A-V

TXH800×1000-B40-V

Vacuum Gripper-Heavy Load Type

Features

- ◇ Applicable for packaging and logistics industry, such as box handling, stacking and unstacking. High quality sponge fits the uneven surface perfectly with the performance of long lifetime and good sealing. The vacuum source is external blower. It is equipped with built-in check valve and reversing valve control unit for blower. The vacuum detecting switch and approach switch are equipped as well to provide convenience for automatic control systems

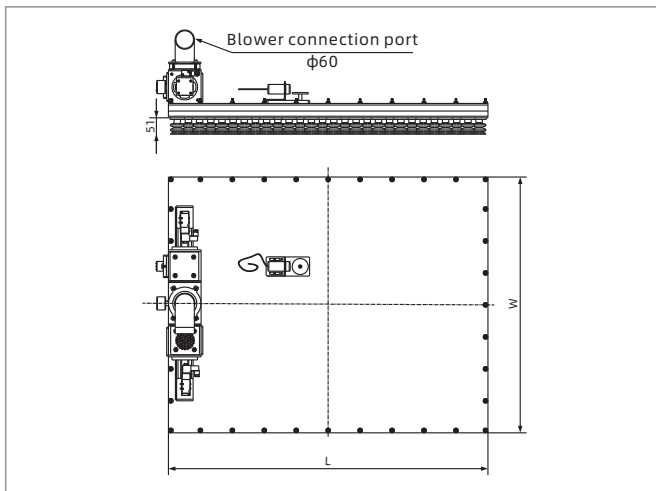


Technical parameters

Model	Max.theoretical suction force N (-40kPa)	Recommended blower flow m ³ /h	Working voltage of control unit V	Reverser for blower	Mounting bracket	Weight kg	Blower connection port dia. mm
TXH800×1000-B40-V	3,850	320	DC24V	with	without	56	φ60
TXH1100×1300-B40-V	5,200	520	DC24V	with	without	79	φ60

- ◇ Note: 1. The detecting device includes 1 mechanical negative pressure gauge, 1 digital pressure gauge and 1 photoelectric inductive switch.
- 2. The data of theoretical suction force as above are figured out in the condition that the gripper is fully covered by rigid airtight workpieces without considering safety factor.

Dimensions(mm)



Model/Size	W	L
TXH800×1000-B40-V	800	1,000
TXH1100×1300-B40-V	1,100	1,300

TXH800×1000-B40-V TXH1100×1300-B40-V

Spare parts selection

Item	Model	Dimension mm	Applicable vacuum gripper
Sponge	TXH800×1000	800×1000×25	TXH800×1000-A-V
	TXH1100×1300	1100×1300×25	TXH1100×1300-A-V
Suction cup	SPC40S	φ40	TXH800×1000-B40-V、TXH1100×1300-B40-V

TXL Series

Vacuum Gripper -Combined Type



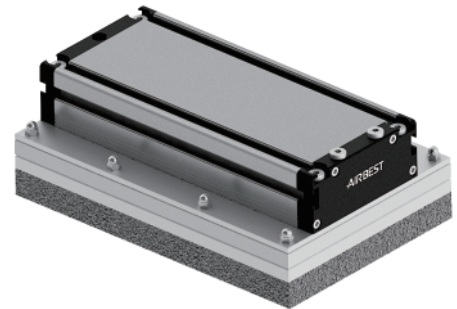
UNIVERSAL

Features

- ◇ The product is of modular structure
- ◇ The housing is made of high quality aluminum alloy
- ◇ Built -in large flow vacuum generator and external blower are optional
- ◇ Suction cup type and sponge type are optional for adsorption surface
- ◇ Built-in non-return valve can be selected

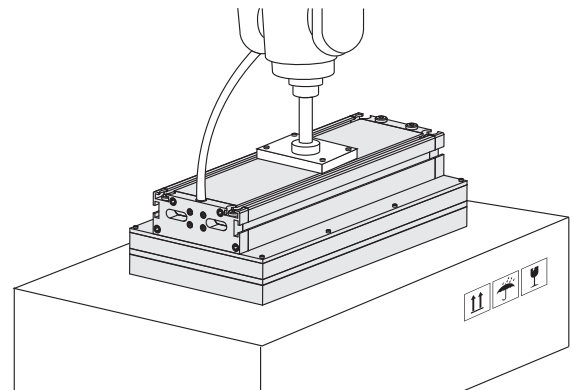
Advantages

- ◇ Different sizes can be combined freely
- ◇ High strength and light weight
- ◇ Fast reaction time
- ◇ Suitable for the handling of various industries
- ◇ It can meet the handling of different dimension workpieces



Applications

- ◇ Mainly used in the packaging industry, such as intelligent warehousing, intelligent logistics, stacking and unstacking, unmanned sorting, etc.
- ◇ With built-in non-return valve, it can be used to adsorb the workpieces with certain leakage, different sizes and different shapes
- ◇ Because of its light weight, it is very suitable for robots

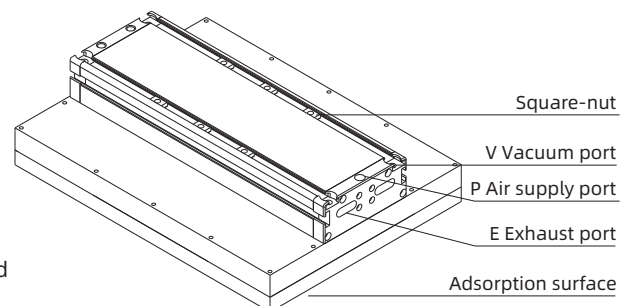


Vacuum gripper

- TXN
- TXD
- TXC
- TXM
- TXP
- TXH**
- TXL

Structure

- ◇ The main body is made of aluminum alloy, with T-shaped slots on the front and side respectively, which can be used for installation or mounting of the inductive switch
- ◇ It is equipped with Square-nut (M8 × 18 × 14 × 5.5)
- ◇ The gripper has one air supply port (G1/4F) and six vacuum ports (6-G1/8F), direct exhaust from the side of the air supply end cover
- ◇ Built-in vacuum generator type and external blower type can be selected
- ◇ Non-return valve is optional



How to order

TXL 200×300 - A - C - V
① ② ③ ④ ⑤

① Series	② Dimension	③ Adsorption surface type	④ Vacuum source type	⑤ Non-return valve
TXL	200×300	A - sponge type	Nil-Blower type	Nil - Default, Without non-return valve
	200×400	B40 - suction cup type	C-Built-in vacuum generator	(Throttling hole structure)
	300×300			V - With non-return valve
	300×400			(Ball valve structure)

Selection-Vacuum generator type

Model/Adsorption surface type	A - Sponge type	B - Suction cup type
TXL200×300-□-C	TXL200×300-A-C	TXL200×300-B40-C
TXL200×300-□-C-V	TXL200×300-A-C-V	TXL200×300-B40-C-V
TXL200×400-□-C	TXL200×400-A-C	TXL200×400-B40-C
TXL200×400-□-C-V	TXL200×400-A-C-V	TXL200×400-B40-C-V
TXL300×300-□-C	TXL300×300-A-C	TXL300×300-B40-C
TXL300×300-□-C-V	TXL300×300-A-C-V	TXL300×300-B40-C-V
TXL300×400-□-C	TXL300×400-A-C	TXL300×400-B40-C
TXL300×400-□-C-V	TXL300×400-A-C-V	TXL300×400-B40-C-V

Selection-Blower type

Model/Adsorption surface type	A - Sponge type	B - Suction cup type
TXL200×300-□	TXL200×300-A	TXL200×300-B40
TXL200×300-□-V	TXL200×300-A-V	TXL200×300-B40-V
TXL200×400-□	TXL200×400-A	TXL200×400-B40
TXL200×400-□-V	TXL200×400-A-V	TXL200×400-B40-V
TXL300×300-□	TXL300×300-A	TXL300×300-B40
TXL300×300-□-V	TXL300×300-A-V	TXL300×300-B40-V
TXL300×400-□	TXL300×400-A	TXL300×400-B40
TXL300×400-□-V	TXL300×400-A-V	TXL300×400-B40-V

Technical parameters-Vacuum generator type

Model	Rated air supply pressure bar	Max. vacuum flow NL/min	Air consumption NL/min	Max. theoretical suction force N (-60kPa)	Weight (kg) V-with non-return valve	Recommended hose dia. mm	QTY of suction hole PCS
TXL200×300-A-C	6.0	710	230	415	4.1	1×φ10	126
TXL200×400-A-C	6.0	710	230	563	5.2	1×φ10	171
TXL300×300-A-C	6.0	1,050	345	646	5.8	1×φ10	196
TXL300×400-A-C	6.0	1,050	345	874	8.4	1×φ10	266
TXL200×300-B40-C	6.0	710	230	1,055	4.6	1×φ10	28
TXL200×400-B40-C	6.0	710	230	1,432	6.1	1×φ10	38
TXL300×300-B40-C	6.0	1,050	345	1,469	6.8	1×φ10	39
TXL300×400-B40-C	6.0	1,050	345	1,997	9.4	1×φ10	53

TXL Series

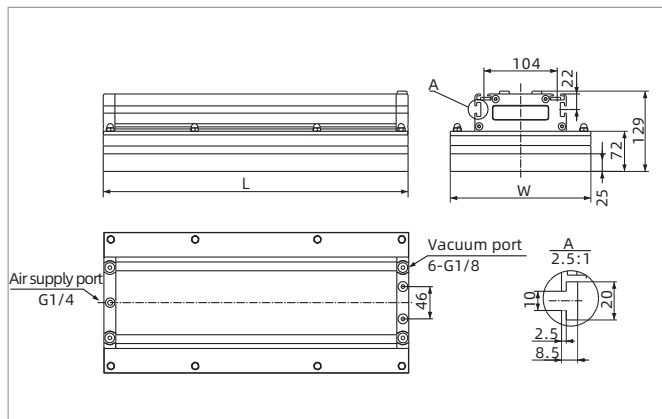
Vacuum Gripper - Combined Type

Technical parameters-Blower type

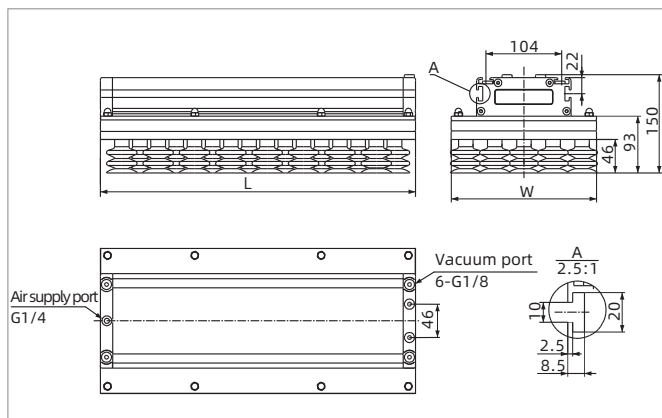
Model	Max.theoretical suction force N (-30kPa)	Max.theoretical suction force N (-40kPa)	Max.theoretical suction force N (-50kPa)	Max.theoretical suction force N (-60kPa)	Weight (kg) V-with non-return valve	Blower connection port dia. mm	QTY of suction hole PCS
TXL200×300-A-□	208	277	346	415	3.8	φ32	126
TXL200×400-A-□	282	375	469	563	4.9	φ32	171
TXL300×300-A-□	323	431	538	646	5.5	φ32	196
TXL300×400-A-□	437	583	728	874	8.1	φ60	266
TXL200×300-B40-□	526	701	879	1,055	4.3	φ32	28
TXL200×400-B40-□	714	950	1,193	1,432	5.8	φ32	38
TXL300×300-B40-□	733	975	1,224	1,469	6.5	φ32	39
TXL300×400-B40-□	996	1,325	1,664	1,997	9.1	φ60	53

◇ Note: The suction force in the above table is the theoretical suction force obtained under the condition that the vacuum gripper is fully covered by a rigid airtight workpiece, and without considering safety factor.

Dimensions(mm)



TXL Sponge type



TXL Suction cup type

Model/Size	L	W
TXL200×300-A-□	300	200
TXL200×400-A-□	400	200
TXL300×300-A-□	300	300
TXL300×400-A-□	400	300

Model/Size	L	W
TXL200×300-B40-□	300	200
TXL200×400-B40-□	400	200
TXL300×300-B40-□	300	300
TXL300×400-B40-□	400	300

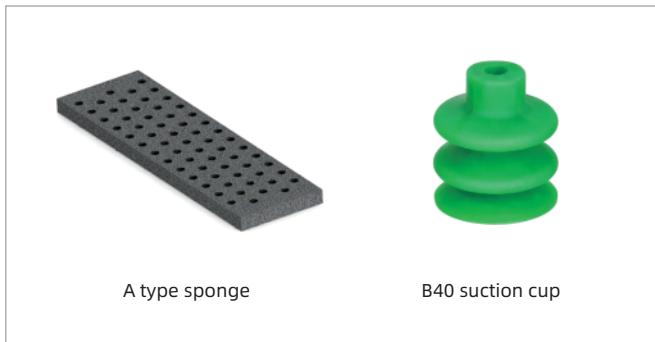
Vacuum gripper

TXN
TXD
TXC
TXM
TXP
TXH
TXL

TXL Series

Vacuum Gripper -Combined Type

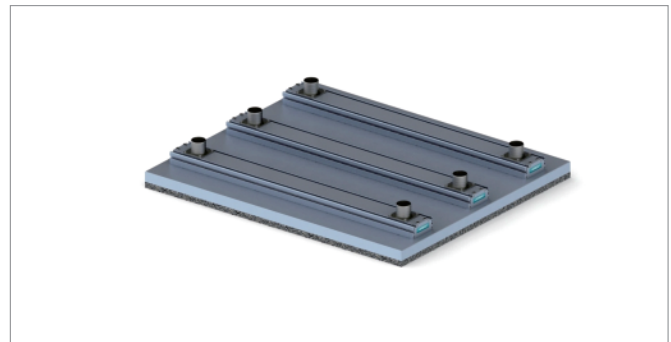
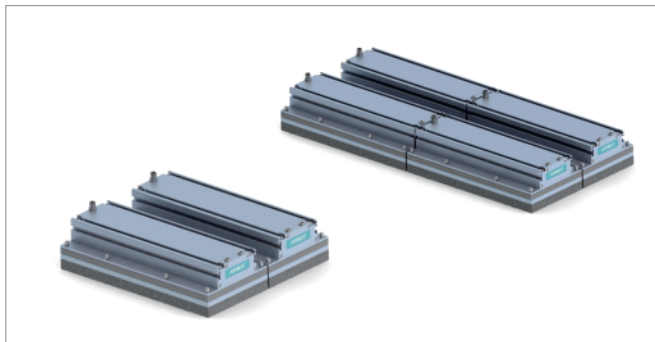
Spare parts selection(mm)



Spare parts selection

Item	Model	Dimension mm
Sponge	TXL200×300-A5	200×300×25
	TXL200×400-A5	200×400×25
	TXL300×300-A5	300×300×25
	TXL300×400-A5	300×400×25
Suction cup	SPC40S	φ40

Example of modular



Selection remark:

- In the selection of gripper series products, it is necessary to carefully check the operating conditions, and select a suitable gripper model according to the different features of the grabbing workpiece.
- In the selection manual, the gripper which is driven by vacuum generator, is required to use clean and dry compressed air.
- In the selection manual, for the gripper products driven by the blowers, select a suitable model of the blowers according to the recommendation. All products in the selection manual do not include the blower, the blower has to be purchased by the customer separately.
- The air supply pressure in the selection manual refers to the air supply pressure of the product under the operating condition. It is recommended that the fluctuation range of the operating pressure value is within $\pm 10\%$ of the air supply pressure standard value.
- The theoretical maximum suction value in the selection manual is the recommended value calculated according to the theory of grabbing specific workpieces under the specific vacuum level. It is only the reference for the gripper selection, and not the only basis for grabbing any workpieces by the gripper.
- All models of the products in the manual can only work under normal temperature and pressure. If there is a need for use in special environment (high temperature, high humidity, high oil pollution, high dust, corrosiveness, radioactivity, etc.), please contact the company's customer service for consultation.
- All products in the selection manual have rated life. The rated life of each product is determined by the surface roughness, material, hardness, working condition environment, use frequency and other factors. Customers can contact the company's customer service according to the specific application conditions.
- In order to prolong the operation life of the adsorption surface (sponge / rubber suction cup) of the gripper, it is suggested that the normal use method: when grabbing the workpiece, first contact closely the workpiece, and then open the vacuum; When placing the workpiece, first stabilize the workpiece, and then turn off the vacuum.
- In order to improve product quality and customer experience, we will continuously improve the product, and inform customers of the update information in time.

F Mounting parts

Mounting Parts

Products overview

Mounting Parts

403 PSPE Series

Small and Light Level Compensator

- ◇ Connection thread: M5 M8
- ◇ Buffer stroke: 6~50mm



ELECTRONICS



418 PSPD Series

Double Springs Heavy-duty Compensator

- ◇ Connection thread: G1/4
G3/8 G1/2
- ◇ Buffer stroke: 25~90mm



UNIVERSAL HEAVY LOAD



407 PSPL Series

Retractive Level Compensator

- ◇ Connection thread: M5
- ◇ Buffer stroke: 3~20mm



ELECTRONICS



421 PSPF Series

Compact Level Compensator

- ◇ Connection thread: M5 M8 G1/8
- ◇ Buffer stroke: 10~50mm



ELECTRONICS



409 PSPS Series

Retractive Level Compensator

- ◇ Connection thread: M10
- ◇ Buffer stroke: 10~20mm



UNIVERSAL



424 PJS Series

Fitting For Suction Cup

- ◇ Connection thread: M5 G1/8
G1/4 G3/8
- ◇ Special specification: EW EH



UNIVERSAL



411 PSPT Series

Universal Level Compensator

- ◇ Connection thread: G1/8
G1/4 G3/8
- ◇ Buffer stroke: 10~110mm



UNIVERSAL



428 PJT Series

Universal Mounting Parts-Adapter

- ◇ Connection thread: M5 M8
G1/8 G1/4 G3/8 G1/2



UNIVERSAL



415 PSPH Series

Heavy-duty Level Compensator

- ◇ Connection thread: G1/4
G3/8 G1/2
- ◇ Buffer stroke: 25~90mm



UNIVERSAL HEAVY LOAD



430 PJF Series

Universal Mounting Parts-Locking Fitting

- ◇ Connection thread: M5 M8 G1/8



UNIVERSAL



Mounting Parts

Products overview

Mounting Parts

432 PJB Series

Universal Mounting Parts-Ball Joint

- ◇ Connection thread: M10 G1/8
G1/2 G1/4



UNIVERSAL



441 PDA Series

Universal Block Plug

- ◇ Sealing specification:
Countersunk, Horizontal



UNIVERSAL



433 PJE Series

Universal Mounting Parts-Flexible Joint

- ◇ Vacuum connection thread:
G1/4 G1/2
- ◇ Max.deflection angle: 12°



UNIVERSAL



443 PDR Series

Positive Pressure/Vacuum Shunt

- ◇ Branching port: 5, 9
- ◇ Main port: G1/4 G3/8



UNIVERSAL



434 PJH Series

Universal Mounting Parts-Flexible Joint

- ◇ Connection thread: G1/4 G3/8
- ◇ Max.deflection angle: 15°



UNIVERSAL



445 PTS Series

PVC Transparent Wired Hose

- ◇ Operating pressure range: 0.2~7.0bar
- ◇ Min.inner diameter: 19mm



UNIVERSAL



436 PJP Series

Universal One-touch Fitting

- ◇ Hose specification: $\phi 4 \sim \phi 14$ mm



UNIVERSAL



446 PTK Series

Stainless Steel Hose Clamp

- ◇ Width: 12mm
- ◇ Thickness: 0.68mm



UNIVERSAL



439 PJQ Series

Universal Pagoda Fitting

- ◇ Hose specification: $\phi 6 \sim \phi 32$ mm



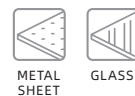
UNIVERSAL



447 PSW Series

吸盘保护套

- ◇ Specification: $\phi 150 \sim \phi 400$ mm



METAL SHEET GLASS



PSPE Series

Small and Light Level Compensator

AIRBEST



ELECTRONICS

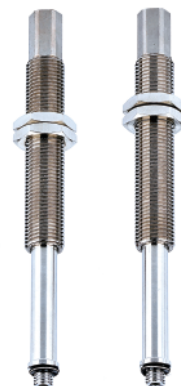
RoHS

Features

- ◇ Level compensator with built-in spring, small elasticity
- ◇ Small size and light weight
- ◇ The guide rod is made of stainless steel
- ◇ Oilless wear-resistant bushing is built in the guide sleeve

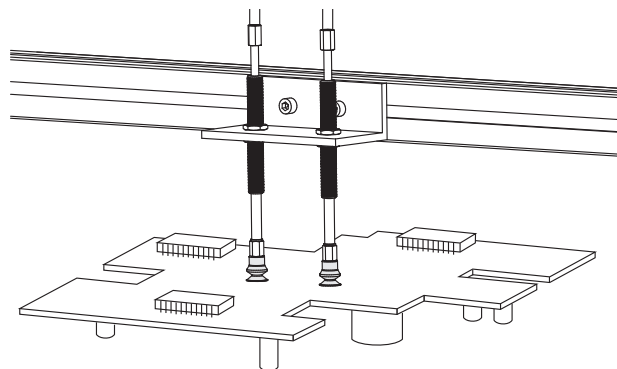
Advantages

- ◇ Avoid pollution and external mechanical force, flexible contact
- ◇ Suitable for fast handling in small space
- ◇ Resistant to environment, corrosion and abrasion
- ◇ Improve the life time of the products and reduce the noise of the products
- ◇ Ensure the accurate positioning of the workpieces



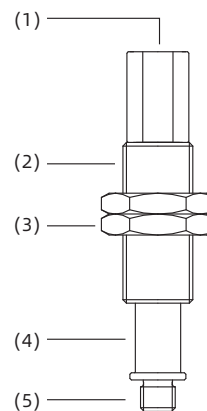
Applications

- ◇ Suitable for electronic industry
- ◇ Suitable for handling light and small workpieces with flexible contact
- ◇ Suitable for handling workpieces with height difference
- ◇ The non-rotating level compensator is suitable for the working condition requiring accurate positioning



Structure

- ◇ (1) Vacuum generator connection
- ◇ (2) Guide sleeve
- ◇ (3) Mounting nut
- ◇ (4) Guide rod
- ◇ (5) Suction cup connection



PSPE Series

Small and Light Level Compensator

How to order

PSPE - I 10 L A4 M5M - M10

① ② ③ ④ ⑤ ⑥ ⑦

① Series	② Buffer style	③ Buffer stroke	④ Rotary type	⑤ Vacuum port connection	⑥ Suction cup connection	⑦ Mounting thread
PSPE	I - Built-in spring	6 25	Nil - Vertical rotating	Nil - Default	M5F - M5×0.8 female thread	M8 - M8×1
		10 30	R - Vertical non-rotating	A4 - One-touch fitting, φ4 hose	M5M - M5×0.8 male thread	M10 - M10×1
		15 40	L - Lateral rotating	A6 - One-touch fitting, φ6 hose	M8F - M8×1.25 female thread	M14 - M14×1
		20 50	B - Lateral non-rotating		M8M - M8×1.25 male thread	

Selection-Vertical direction

Model/Connection thread M5M	RM5M	M5F	M8M	M8F
PSPE-I10M5M-M10	PSPE-I10RM5M-M10	PSPE-I10M5F-M10	PSPE-I10M8M-M14	PSPE-I10M8F-M14
PSPE-I20M5M-M10	PSPE-I20RM5M-M10	PSPE-I20M5F-M10	PSPE-I20M8M-M14	PSPE-I20M8F-M14
PSPE-I30M5M-M10	PSPE-I30RM5M-M10	PSPE-I30M5F-M10	PSPE-I30M8M-M14	PSPE-I30M8F-M14
PSPE-I40M5M-M10	PSPE-I40RM5M-M10	PSPE-I40M5F-M10	-	-
PSPE-I50M5M-M10	PSPE-I50RM5M-M10	PSPE-I50M5F-M10	PSPE-I50M8M-M14	PSPE-I50M8F-M14

Selection-Lateral direction

Model/Connection thread LA4M5M	LA6M5M	BA4M5M	BA6M5M
PSPE-I6LA4M5M-M8	PSPE-I6LA6M5M-M8	PSPE-I6BA4M5M-M8	PSPE-I6BA6M5M-M8
PSPE-I10LA4M5M-M8	PSPE-I10LA6M5M-M8	PSPE-I10BA4M5M-M8	PSPE-I10BA6M5M-M8
PSPE-I15LA4M5M-M8	PSPE-I15LA6M5M-M8	PSPE-I15BA4M5M-M8	PSPE-I15BA6M5M-M8
PSPE-I25LA4M5M-M8	PSPE-I25LA6M5M-M8	PSPE-I25BA4M5M-M8	PSPE-I25BA6M5M-M8
PSPE-I10LA4M5M-M10	PSPE-I10LA6M5M-M10	PSPE-I10BA4M5M-M10	PSPE-I10BA6M5M-M10
PSPE-I20LA4M5M-M10	PSPE-I20LA6M5M-M10	PSPE-I20BA4M5M-M10	PSPE-I20BA6M5M-M10
PSPE-I30LA4M5M-M10	PSPE-I30LA6M5M-M10	PSPE-I30BA4M5M-M10	PSPE-I30BA6M5M-M10
PSPE-I40LA4M5M-M10	PSPE-I40LA6M5M-M10	PSPE-I40BA4M5M-M10	PSPE-I40BA6M5M-M10
PSPE-I50LA4M5M-M10	PSPE-I50LA6M5M-M10	PSPE-I50BA4M5M-M10	PSPE-I50BA6M5M-M10

◇ Note: It is suggested that the actual working compressed stroke of level compensator should not exceed 50% of its max. compressed stroke

Mounting Parts

PSPE

PSPL

PSPS

PSPT

PSPH

PSPD

PSPF

PJS

PJT

PJF

PJB

PJE

PJH

PJP

PJQ

PDA

PDR

PTS

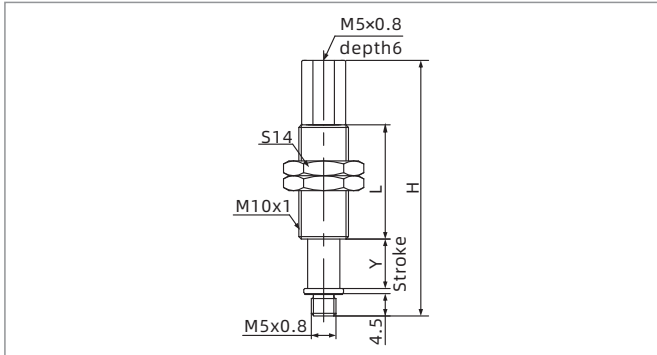
PTK

PSW

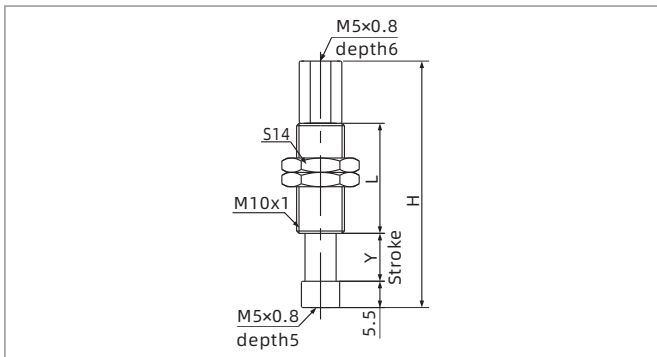
PSPE Series

Small and Light Level Compensator

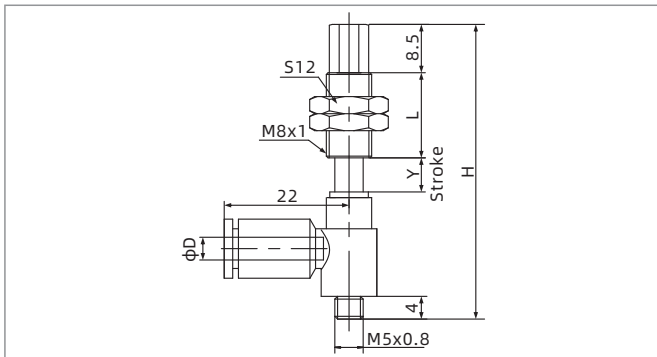
Dimensions(mm)



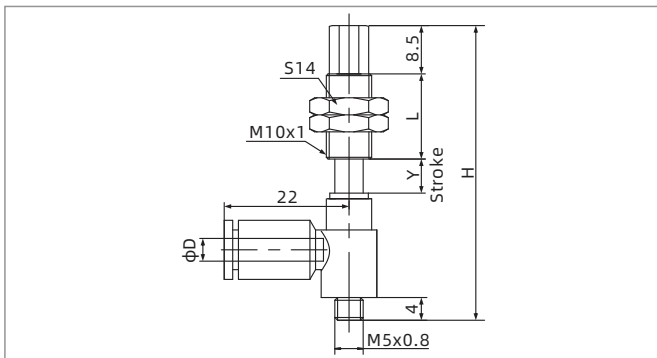
M5M-Vertical male thread connection



M5F-Vertical female thread connection



M5M-Lateral male thread connection



M5M-Lateral male thread connection

Model/Size	H	L	Y	Weight g	F1 N	F2 N
PSPE-I10(R)M5M-M10	51.5	23	10	22	1.0	3.0
PSPE-I20(R)M5M-M10	89.5	51	20	34	1.0	3.0
PSPE-I30(R)M5M-M10	99.5	51	30	36	1.0	3.0
PSPE-I40(R)M5M-M10	135.5	77	40	47	1.0	3.0
PSPE-I50(R)M5M-M10	145.5	77	50	50	1.0	3.0

Model/Size	H	L	Y	Weight g	F1 N	F2 N
PSPE-I10M5F-M10	51.5	23	10	23	1.0	3.0
PSPE-I20M5F-M10	89.5	51	20	36	1.0	3.0
PSPE-I30M5F-M10	99.5	51	30	38	1.0	3.0
PSPE-I40M5F-M10	135.5	77	40	49	1.0	3.0
PSPE-I50M5F-M10	145.5	77	50	51	1.0	3.0

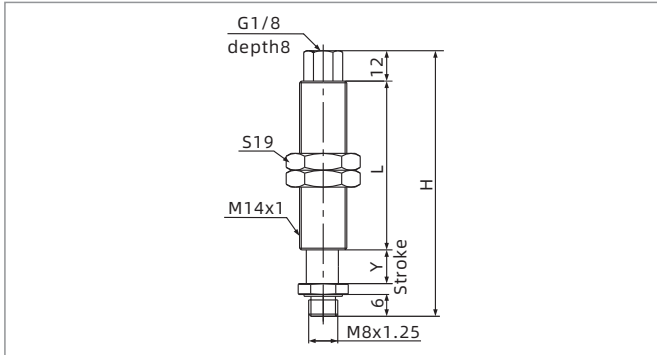
Model/Size	H	L	Y	D	Weight g	F1 N	F2 N
PSPE-I6L(B)A4M5M-M8	52	15	6	4	19	0.8	1.2
PSPE-I6L(B)A6M5M-M8	52	15	6	6	20	0.8	1.2
PSPE-I10L(B)A4M5M-M8	84	43	10	4	26	0.8	1.2
PSPE-I10L(B)A6M5M-M8	84	43	10	6	28	0.8	1.2
PSPE-I15L(B)A4M5M-M8	89	43	15	4	27	0.8	1.2
PSPE-I15L(B)A6M5M-M8	89	43	15	6	29	0.8	1.2
PSPE-I25L(B)A4M5M-M8	99	43	25	4	29	0.8	1.2
PSPE-I25L(B)A6M5M-M8	99	43	25	6	30	0.8	1.2

Model/Size	H	L	Y	D	Weight g	F1 N	F2 N
PSPE-I10L(B)A4M5M-M10	64	23	10	4	26	1.0	3.0
PSPE-I10L(B)A6M5M-M10	64	23	10	6	28	1.0	3.0
PSPE-I20L(B)A4M5M-M10	102	51	20	4	44	1.0	3.0
PSPE-I20L(B)A6M5M-M10	102	51	20	6	46	1.0	3.0
PSPE-I30L(B)A4M5M-M10	112	51	30	4	46	1.0	3.0
PSPE-I30L(B)A6M5M-M10	112	51	30	6	48	1.0	3.0
PSPE-I40L(B)A4M5M-M10	148	77	40	4	59	1.0	3.0
PSPE-I40L(B)A6M5M-M10	148	77	40	6	62	1.0	3.0
PSPE-I50L(B)A4M5M-M10	158	77	50	4	62	1.0	3.0
PSPE-I50L(B)A6M5M-M10	158	77	50	6	65	1.0	3.0

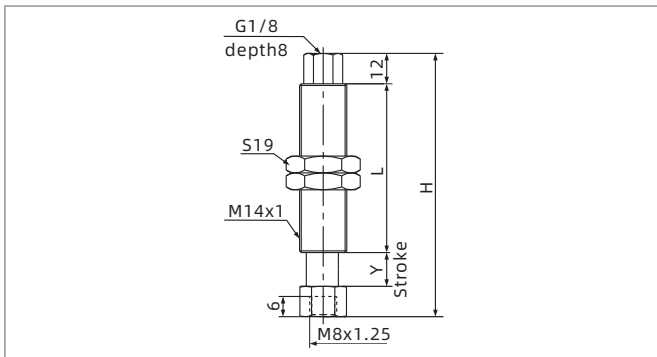
PSPE Series

Small and Light Level Compensator

Dimensions(mm)



M8M-Vertical male thread connection



M8F-Vertical female thread connection

Model/Size	H	L	Y	Weight g	F1 N	F2 N
PSPE-I10M8M-M14	84.5	50	10	68	2.0	5.5
PSPE-I20M8M-M14	90	50	20	71	2.0	5.5
PSPE-I30M8M-M14	100	50	30	76	2.0	5.5
PSPE-I50M8M-M14	145	50	50	102	2.0	5.5

Model/Size	H	L	Y	Weight g	F1 N	F2 N
PSPE-I10M8F-M14	75	44	10	70	2.0	5.5
PSPE-I20M8F-M14	85	44	20	73	2.0	5.5
PSPE-I30M8F-M14	95	44	30	80	2.0	5.5
PSPE-I50M8F-M14	146	75	50	106	2.0	5.5

◇ Note: "F1" means spring force at 0 stroke
 "F2" means spring force at max. stroke

PSPE

PSPL

PSPS

PSPT

PSPH

PSPD

PSPF

PJS

PJT

PJF

PJB

PJE

PJH

PJP

PJQ

PDA

PDR

PTS

PTK

PSW

PSPL Series

Retractive Level Compensator

AIRBEST



ELECTRONICS



Features

- ◇ Level compensator with built-in spring, small elasticity
- ◇ Small size and light weight
- ◇ special surface treatment for guide rod
- ◇ Guide sleeve with built-in resin bushing
- ◇ Retractive structure design

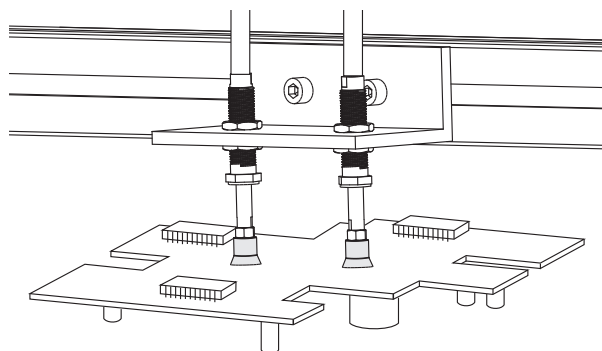
Advantages

- ◇ Avoid pollution and external mechanical force, flexible contact
- ◇ Suitable for fast handling in small space
- ◇ Resistant to environment, corrosion and abrasion
- ◇ Reduce metal dust, special for dust-free working condition
- ◇ During the operation, the hose is static and without transverse load



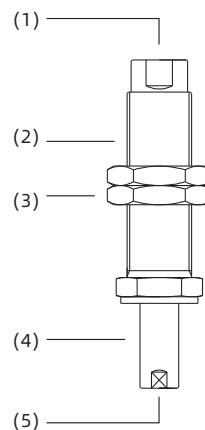
Applications

- ◇ Suitable for electronic industry
- ◇ Suitable for handling light and small workpieces with flexible contact
- ◇ Suitable for handling workpieces with height difference
- ◇ Suitable for dust-free working condition



Structure

- ◇ (1) Vacuum generator connection
- ◇ (2) Guide sleeve
- ◇ (3) Mounting nut
- ◇ (4) Guide rod
- ◇ (5) Suction cup connection



PSPL Series

Retractive Level Compensator

How to order

PSPL - I 10 R M5F - M10

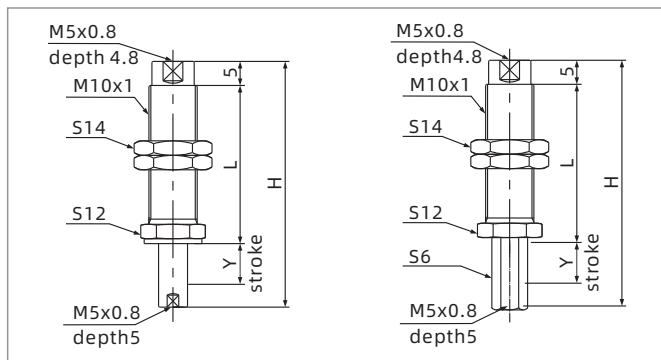
① ② ③ ④ ⑤ ⑥

① Series	② Buffer style	③ Buffer stroke	④ Rotary type	⑤ Vacuum port connection	⑥ Mounting thread
PSPL	I - Built-in spring	3 10 15 20	Nil - Vertical rotating R - Vertical non-rotating	M5F - M5x0.8 female thread	M10 - M10x1

Selection

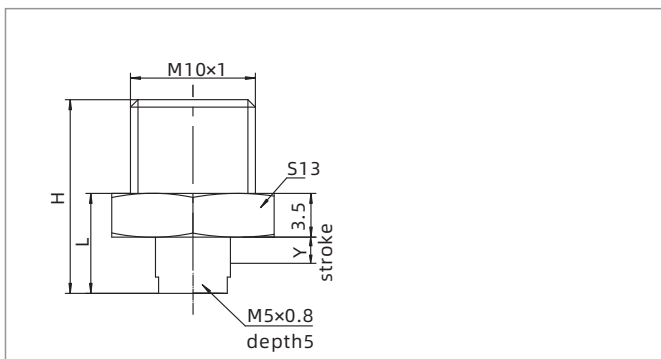
Model/Buffer stroke	3	10	15	20
PSPL-I□M5F-M10	PSPL-I3M5F-M10	PSPL-I10M5F-M10	PSPL-I15M5F-M10	PSPL-I20M5F-M10
PSPL-I□RM5F-M10	-	PSPL-I10RM5F-M10	PSPL-I15RM5F-M10	PSPL-I20RM5F-M10

Dimensions(mm)



PSPL-I□M5F-M10

PSPL-I□RM5F-M10



PSPL-I3M5F-M10

Model/Size	H	L	Y	F1 N	F2 N
PSPL-I10(R)M5F-M10	51	31.8	10	1.0	1.4
PSPL-I15(R)M5F-M10	61	36.8	15	1.0	1.4
PSPL-I20(R)M5F-M10	71	41.8	20	1.0	1.4

- ◇ Note: 1. "F1" means spring force at 0 stroke, "F2" means spring force at max. stroke
- 2. The locking torque of M10 nut is 2.5 ~ 3.5N.M, please work within the specified torque range

Model/Size	H	L	Y	F1 N	F2 N
PSPL-I3M5F-M10	16.5	9	3	0.7	1.0

- ◇ Note: 1. "F1" means spring force at 0 stroke, "F2" means spring force at max. stroke

PSPE

PSPL

PSPS

PSPT

PSPH

PSPD

PSPF

PJS

PJT

PJF

PJB

PJE

PJH

PJP

PJQ

PDA

PDR

PTS

PTK

PSW

PSPS Series

Retractive Level Compensator



ELECTRONICS

Features

- ◇ Level compensator with built-in spring, small elasticity
- ◇ Small size and light weight
- ◇ Made of stainless steel
- ◇ Guide sleeve with built-in resin bushing
- ◇ Retractive structure design

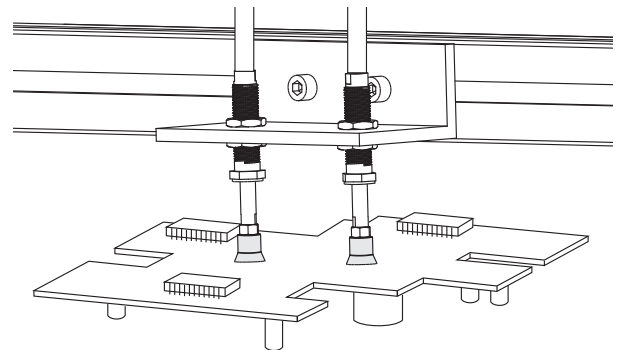
Advantages

- ◇ Avoid pollution and external mechanical force, flexible contact
- ◇ Suitable for fast handling in small space
- ◇ Resistant to environment, corrosion and abrasion
- ◇ Reduce metal dust, special for dust-free working condition
- ◇ During the operation, the hose is static and without transverse load



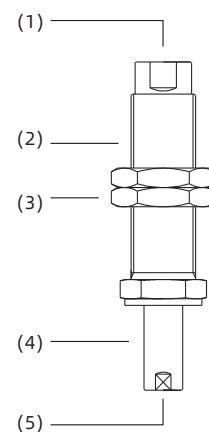
Applications

- ◇ Suitable for electronic industry
- ◇ Suitable for handling light and small workpieces with flexible contact
- ◇ Suitable for handling workpieces with height difference
- ◇ Suitable for dust-free working condition



Structure

- ◇ (1) Vacuum generator connection
- ◇ (2) Guide sleeve
- ◇ (3) Mounting nut
- ◇ (4) Guide rod
- ◇ (5) Suction cup connection



PSPS Series

Retractive Level Compensator

How to order

PSPS - I 10 M5F - M10
 ① ② ③ ④ ⑤

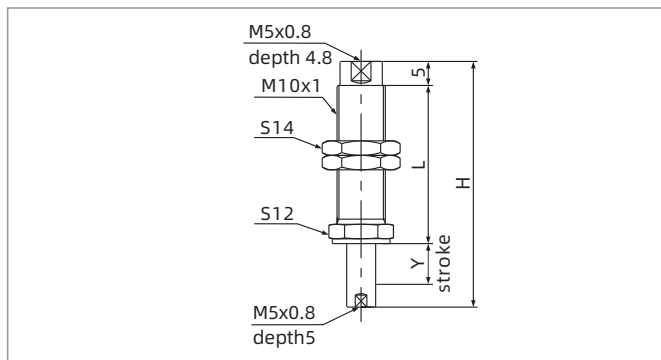
① Series	② Buffer style	③ Buffer stroke	④ Vacuum port connection	⑤ Mounting thread
PSPS	I - Built-in spring	10 15 20	M5F - M5x0.8 female thread	M10 - M10x1

Selection

Model/Buffer stroke	10	15	20
PSPC-I□M5F-M10	PSPS-I10M5F-M10	PSPS-I15M5F-M10	PSPS-I20M5F-M10

◇ Note: It is suggested that the actual working compressed stroke of level compensator should not exceed 50% of its max. compressed stroke

Dimensions(mm)



PSPS-I□M5F-M10

Model/Size	H	L	Y	F1 N	F2 N
PSPS-I10M5F-M10	51	31.8	10	1.0	1.4
PSPS-I15M5F-M10	61	36.8	15	1.0	1.4
PSPS-I20M5F-M10	71	41.8	20	1.0	1.4

- ◇ Note: 1. "F1" means spring force at 0 stroke, "F2" means spring force at max. stroke
 2. The locking torque of M10 nut is 2.5 ~ 3.5N.M, please work within the specified torque range

PSPE

PSPPL

PSPS

PSPPT

PSPPH

PSPPD

PSPPF

PJS

PJT

PJF

PJB

PJE

PJH

PJP

PJQ

PDA

PDR

PTS

PTK

PSW

PSPT Series

Universal Level Compensator



UNIVERSAL



Features

- ◇ Oilless, wear-resistant bushing is built in the guide sleeve
- ◇ Built-in buffer spring and external buffer spring
- ◇ Various buffer stroke specifications are available
- ◇ Light duty and heavy duty can be selected

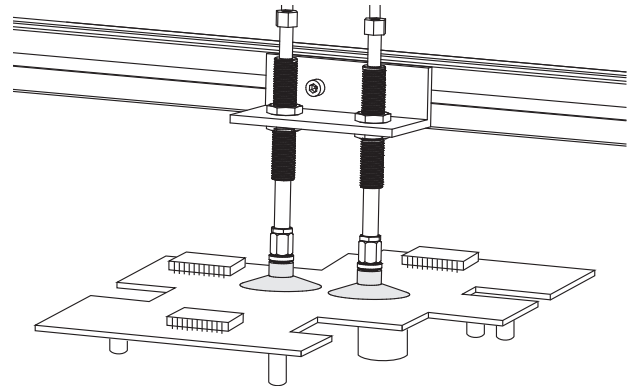
Advantages

- ◇ Improve the lifetime of the products and reduce the noise of the products
- ◇ Flexible contact with fragile workpieces, compensate the height difference of workpieces
- ◇ Suitable for various working conditions



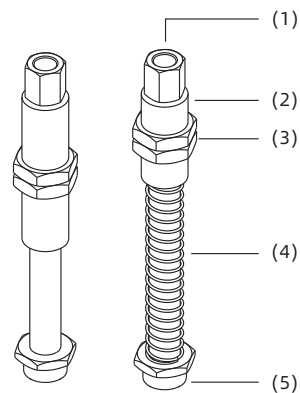
Applications

- ◇ Suitable for handling workpieces with height difference
- ◇ Handle parts sensitive to pressure with flexible contact
- ◇ All kinds of connection specifications, universal type, suitable for various industries



Structure

- ◇ (1) Vacuum generator connection
- ◇ (2) Guide sleeve
- ◇ (3) Mounting nut
- ◇ (4) Spring
- ◇ (5) Suction cup connection



PSPT Series

Universal Level Compensator

How to order

PSPT - I 10 LM5 G1M - M16 - H
 ① ② ③ ④ ⑤ ⑥ ⑦

① Series	② Buffer type	③ Buffer stroke	④ Rotary type	⑤ Suction cup connection	⑥ Mounting thread	⑦ Heavy load
PSPT	I - Built-in spring	10 60	Nil - Vertical rotating	G1F - G1/8 female thread	M16 - M16×1	Nil - Standard
	E - External spring	20 75	R - Vertical non-rotating	G2F - G1/4 female thread	M18 - M18×1	H - Heavy load
		30 90	LM5 - Lateral rotating	G1M - G1/8 male thread		
		50 110		G2M - G1/4 male thread		
				G3M - G3/8 male thread		

Selection

Model/Connection thread G1M	LM5G1M	G1F	G2F	
PSPT-I10G1M-M16	PSPT-I10LM5G1M-M16	PSPT-I10G1F-M16	PSPT-I10G2F-M18	PSPT-I10G2F-M18-H
PSPT-I20G1M-M16	PSPT-I20LM5G1M-M16	PSPT-I20G1F-M16	PSPT-I20G2F-M18	PSPT-I20G2F-M18-H
PSPT-I30G1M-M16	PSPT-I30LM5G1M-M16	PSPT-I30G1F-M16	PSPT-I30G2F-M18	PSPT-I30G2F-M18-H
PSPT-I50G1M-M16	PSPT-I50LM5G1M-M16	PSPT-I50G1F-M16	PSPT-I50G2F-M18	PSPT-I50G2F-M18-H

Model/Connection thread G2M			RG2M	RG3M
PSPT-I10G2M-M18	PSPT-E60G2M-M18	PSPT-I10G2M-M18-H	PSPT-I10RG2M-M18	PSPT-I10RG3M-M18
PSPT-I20G2M-M18	PSPT-E75G2M-M18	PSPT-I20G2M-M18-H	PSPT-I20RG2M-M18	PSPT-I20RG3M-M18
PSPT-I30G2M-M18	PSPT-E90G2M-M18	PSPT-I30G2M-M18-H	PSPT-I30RG2M-M18	PSPT-I30RG3M-M18
PSPT-I50G2M-M18	PSPT-E110G2M-M18	PSPT-I50G2M-M18-H	PSPT-I50RG2M-M18	PSPT-I50RG3M-M18

Model/Connection thread G3M		
PSPT-I10G3M-M18	PSPT-E60G3M-M18	PSPT-I10G3M-M18-H
PSPT-I20G3M-M18	PSPT-E75G3M-M18	PSPT-I20G3M-M18-H
PSPT-I30G3M-M18	PSPT-E90G3M-M18	PSPT-I30G3M-M18-H
PSPT-I50G3M-M18	PSPT-E110G3M-M18	PSPT-I50G3M-M18-H

◇ Note: It is suggested that the actual working compressed stroke of level compensator should not exceed 50% of its max. compressed stroke

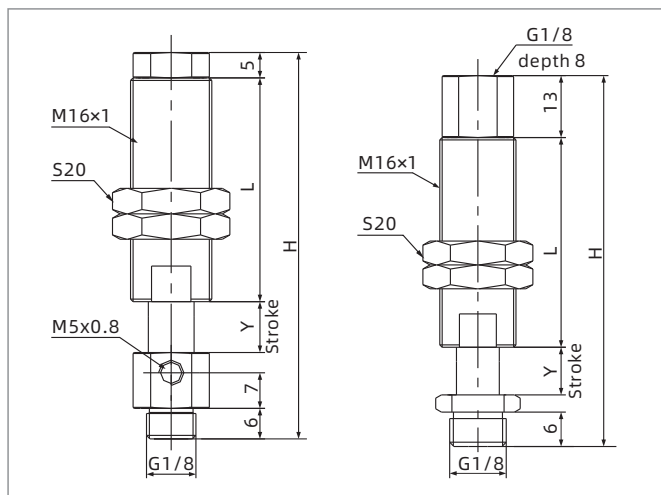
Mounting Parts

- PSPE
- PSPL
- PSPS
- PSPT**
- PSPH
- PSPD
- PSPF
- PJS
- PJT
- PJF
- PJB
- PJE
- PJH
- PJP
- PJQ
- PDA
- PDR
- PTS
- PTK
- PSW

PSPT Series

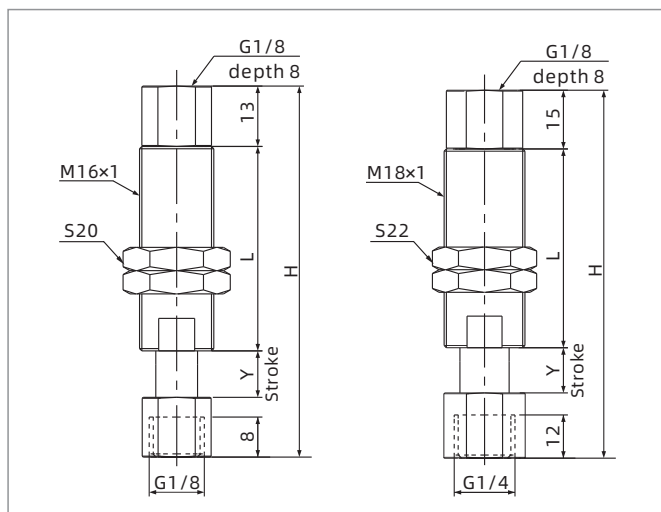
Universal Level Compensator

Dimensions(mm)



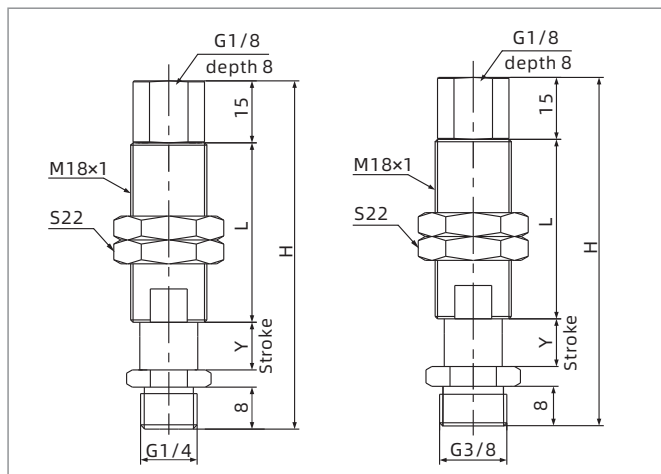
PSPT-I□LM5G1M-M16

PSPT-I□G1M-M16



PSPT-I□G1F-M16

PSPT-I□G2F-M18



PSPT-I□G2M-M18

PSPT-I□G3M-M18

Model/Size	H	L	Y	Weight g	F1 N	F2 N
PSPT-I10LM5G1M-M16	76	44	10	71	2.0	5.5
PSPT-I20LM5G1M-M16	86	44	20	89	2.0	5.5
PSPT-I30LM5G1M-M16	96	44	30	102	2.0	5.5
PSPT-I50LM5G1M-M16	147	75	50	135	2.0	5.5
PSPT-I10G1M-M16	76	44	10	80	2.0	5.5
PSPT-I20G1M-M16	86	44	20	85	2.0	5.5
PSPT-I30G1M-M16	96	44	30	107	2.0	5.5
PSPT-I50G1M-M16	147	75	50	132	2.0	5.5

◇ Note: "F1" means spring force at 0 stroke
"F2" means spring force at max. stroke

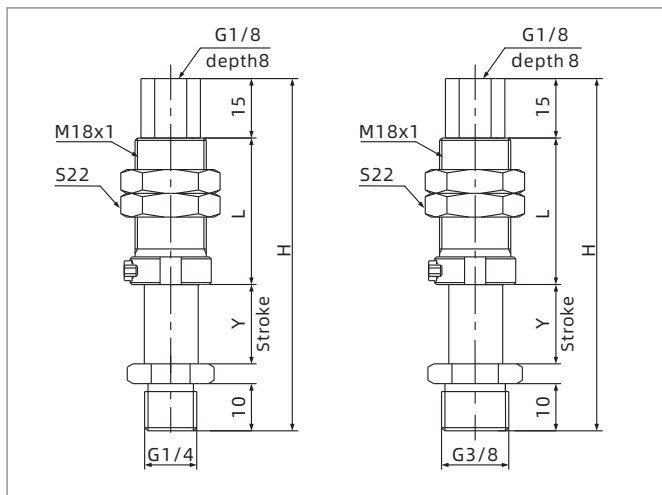
Model/Size	H	L	Y	Weight g	F1 N	F2 N
PSPT-I10G1F-M16	80	44	10	85	2.0	5.5
PSPT-I20G1F-M16	90	44	20	90	2.0	5.5
PSPT-I30G1F-M16	100	44	30	108	2.0	5.5
PSPT-I50G1F-M16	151	75	50	135	2.0	5.5
PSPT-I10G2F-M18	70.5	28	10	93	4.0	7.0
PSPT-I20G2F-M18	90.5	38	20	108	4.0	7.0
PSPT-I30G2F-M18	110.5	48	30	121	4.0	7.0
PSPT-I50G2F-M18	150.5	68	50	151	4.0	7.0
PSPT-I10G2F-M18-H	70.5	28	10	93	9.0	27.0
PSPT-I20G2F-M18-H	90.5	38	20	108	9.0	27.0
PSPT-I30G2F-M18-H	110.5	48	30	121	9.0	27.0
PSPT-I50G2F-M18-H	150.5	68	50	151	9.0	27.0

Model/Size	H	L	Y	Weight g	F1 N	F2 N
PSPT-I10G2M-M18	65	28	10	103	4.0	7.0
PSPT-I20G2M-M18	85	38	20	117	4.0	7.0
PSPT-I30G2M-M18	105	48	30	135	4.0	7.0
PSPT-I50G2M-M18	145	68	50	169	4.0	7.0
PSPT-I10G3M-M18	65	28	10	105	4.0	7.0
PSPT-I20G3M-M18	85	38	20	123	4.0	7.0
PSPT-I30G3M-M18	105	48	30	142	4.0	7.0
PSPT-I50G3M-M18	145	68	50	177	4.0	7.0

PSPT Series

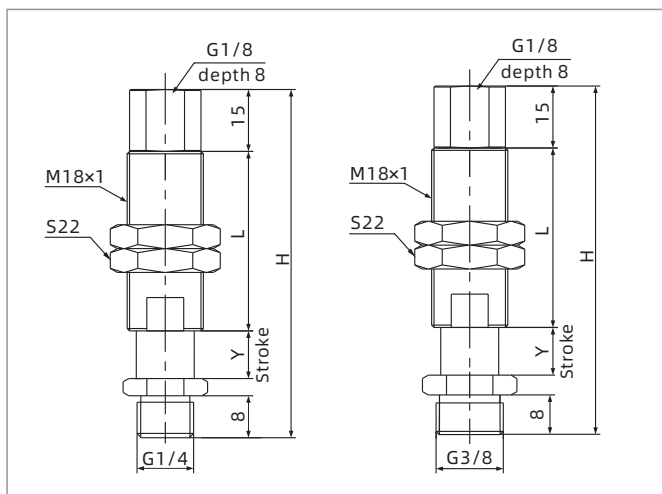
Universal Level Compensator

Dimensions(mm)



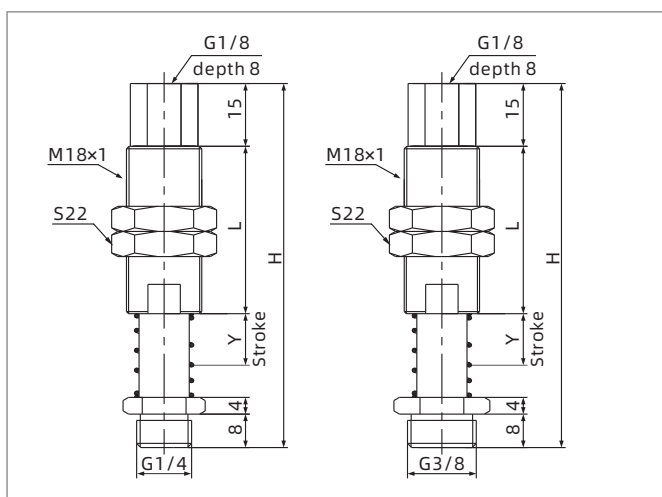
PSPT-I□RG2M-M18

PSPT-I□RG3M-M18



PSPT-I□G2M-M18-H

PSPT-I□G3M-M18-H



PSPT-E□G2M-M18

PSPT-E□G3M-M18

Model/Size	H	L	Y	Weight g	F1 N	F2 N
PSPT-I10RG2M-M18	70	30	10	103	4.0	7.0
PSPT-I20RG2M-M18	90	40	20	117	4.0	7.0
PSPT-I30RG2M-M18	110	50	30	135	4.0	7.0
PSPT-I50RG2M-M18	150	70	50	169	4.0	7.0
PSPT-I10RG3M-M18	70	30	10	105	4.0	7.0
PSPT-I20RG3M-M18	90	40	20	123	4.0	7.0
PSPT-I30RG3M-M18	110	50	30	142	4.0	7.0
PSPT-I50RG3M-M18	150	70	50	177	4.0	7.0

◇ Note: "F1" means spring force at 0 stroke
"F2" means spring force at max. stroke

Model/Size	H	L	Y	Weight g	F1 N	F2 N
PSPT-I10G2M-M18-H	65	28	10	103	9.0	27.0
PSPT-I20G2M-M18-H	85	38	20	117	9.0	27.0
PSPT-I30G2M-M18-H	105	48	30	135	9.0	27.0
PSPT-I50G2M-M18-H	145	68	50	169	9.0	27.0
PSPT-I10G3M-M18-H	65	28	10	105	9.0	27.0
PSPT-I20G3M-M18-H	85	38	20	123	9.0	27.0
PSPT-I30G3M-M18-H	105	48	30	142	9.0	27.0
PSPT-I50G3M-M18-H	145	68	50	177	9.0	27.0

Model/Size	H	L	Y	Weight g	F1 N	F2 N
PSPT-E60G2M-M18	150	40	60	171	4.5	17.0
PSPT-E75G2M-M18	170	40	75	185	4.5	17.0
PSPT-E90G2M-M18	185	40	90	196	4.5	17.0
PSPT-E110G2M-M18	205	40	110	216	4.5	17.0
PSPT-E60G3M-M18	150	40	60	176	4.5	17.0
PSPT-E75G3M-M18	170	40	75	192	4.5	17.0
PSPT-E90G3M-M18	185	40	90	205	4.5	17.0
PSPT-E110G3M-M18	205	40	110	221	4.5	17.0

◇ Note: "F1" means spring force at 0 stroke,
"F2" means spring force at max. stroke

PSPE

PSPL

PSPS

PSPT

PSPH

PSPD

PSPF

PJS

PJT

PJF

PJB

PJE

PJH

PJP

PJQ

PDA

PDR

PTS

PTK

PSW

PSPH Series

Heavy-duty Level Compensator



UNIVERSAL



HEAVY LOAD



Features

- ◇ Oilless, wear-resistant bushing is built in the guide sleeve
- ◇ Heavy duty external buffer spring
- ◇ Non-rotating type can be selected
- ◇ Various buffer stroke specifications are available
- ◇ Suitable for heavy duty working condition

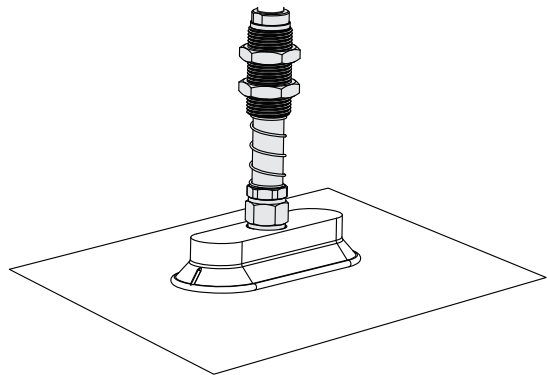
Advantages

- ◇ Reduce product wear, improve the lifetime of the products and reduce the noise
- ◇ Suitable for the workpieces with uneven surface and working conditions which need height compensation
- ◇ Suitable for precise positioning of oval suction cup
- ◇ Suitable for various working conditions



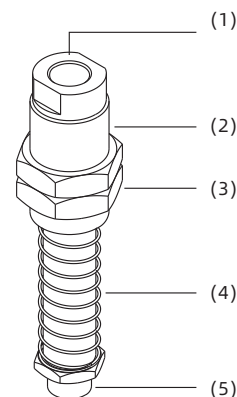
Applications

- ◇ Suitable for handling workpieces with height difference
- ◇ Suitable for working condition which needs shock absorption when handling objects
- ◇ Suitable for working condition that is with short working period and fast handling
- ◇ Non-rotating level compensator is suitable for oval suction cup
- ◇ Especially suitable for handling in automotive industry



Structure

- ◇ (1) Vacuum generator connection
- ◇ (2) Guide sleeve
- ◇ (3) Mounting nut
- ◇ (4) Guide rod
- ◇ (5) Suction cup connection



PSPH Series

Heavy-duty Level Compensator

How to order

PSPH - E 25 R G3M - M30
 ① ② ③ ④ ⑤ ⑥

① Series	② Buffer type	③ Buffer stroke	④ Rotary type	⑤ Suction cup connection	⑥ Mounting thread
PSPH	E - External spring	25	Nil - Vertical rotating	G2M - G1/4 male thread	M20 - M20×1.5
		50	R - Vertical non-rotating	G3M - G3/8 male thread	M30 - M30×1.5
		75		G4M - G1/2 male thread	
		90			

Selection

Model/Connection thread G2M	RG2M	G3M	RG3M	G4M	RG4M
PSPH-E25G2M-M20	PSPH-E25RG2M-M20	PSPH-E25G3M-M30	PSPH-E25RG3M-M30	PSPH-E25G4M-M30	PSPH-E25RG4M-M30
PSPH-E50G2M-M20	PSPH-E50RG2M-M20	PSPH-E50G3M-M30	PSPH-E50RG3M-M30	PSPH-E50G4M-M30	PSPH-E50RG4M-M30
PSPH-E75G2M-M20	PSPH-E75RG2M-M20	PSPH-E75G3M-M30	PSPH-E75RG3M-M30	PSPH-E75G4M-M30	PSPH-E75RG4M-M30
PSPH-E90G2M-M20	PSPH-E90RG2M-M20	PSPH-E90G3M-M30	PSPH-E90RG3M-M30	PSPH-E90G4M-M30	PSPH-E90RG4M-M30

Technical parameters

Model	Pretightening force(1) N	Elastic force(2) N	Vertical load(3) N	Working temperature °C	Weight g
PSPH-E25(R)G2M-M20	7.5	15.8	2,400	0~80	148
PSPH-E50(R)G2M-M20	14.4	20	2,400	0~80	174
PSPH-E75(R)G2M-M20	6	16	2,400	0~80	198
PSPH-E90(R)G2M-M20	6	15.7	1,500	0~80	210
PSPH-E25(R)G3M-M30	19.4	73	4,800	0~80	408
PSPH-E50(R)G3M-M30	24.7	78.5	4,800	0~80	483
PSPH-E75(R)G3M-M30	39	79.6	4,800	0~80	561
PSPH-E90(R)G3M-M30	26.4	74.5	4,800	0~80	580
PSPH-E25(R)G4M-M30	19.4	73	4,800	0~80	408
PSPH-E50(R)G4M-M30	24.7	78.5	4,800	0~80	483
PSPH-E75(R)G4M-M30	39	79.6	4,800	0~80	561
PSPH-E90(R)G4M-M30	26.4	74.5	4,800	0~80	580

- ◇ Note: 1. Pretightening force is spring elastic force when spring is compressed in nature state
- 2. Elastic force is spring elastic force when level compensator is compressed in 50% stroke, it is suggested that the actual working compressed stroke of level compensator should not exceed 50% of its max. compressed stroke
- 3. Vertical load refers to the max. vertical tension that the level compensator can bear in static state
- 4. When the level compensator is installed horizontally, the workpiece will produce gravity perpendicular to the direction of the level compensator, If the gravity is larger than the horizontal load range, the spring may get stuck

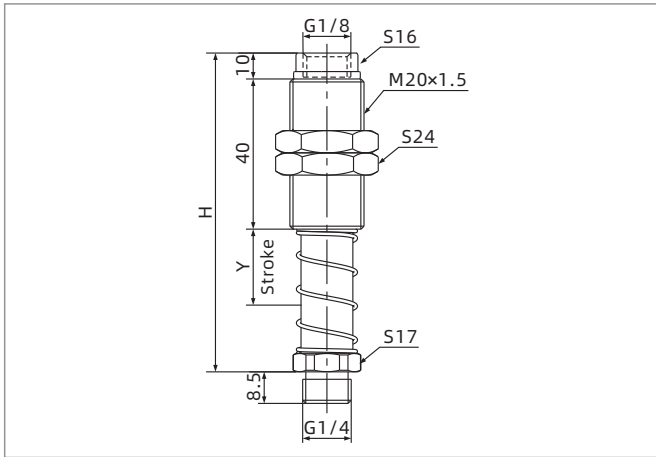
Mounting Parts

PSPE
 PSPL
 PSPS
 PSPT
 PSPH
 PSPD
 PSPF
 PJS
 PJT
 PJF
 PJB
 PJE
 PJH
 PJP
 PQ
 PDA
 PDR
 PTS
 PTK
 PSW

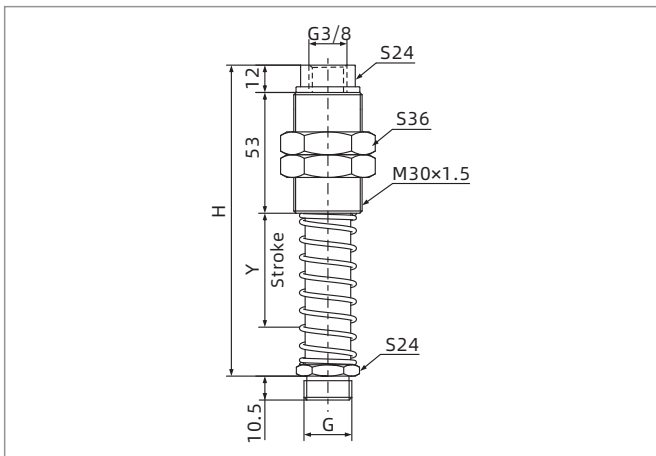
PSPH Series

Heavy-duty Level Compensator

Dimensions(mm)



PSPH-E□(R)G2M-M20



PSPH-E□(R)G3M-M30 PSPH-E□(R)G4M-M30

Model/Size	H	Y
PSPH-E25(R)G2M-M20	86	25
PSPH-E50(R)G2M-M20	114.5	50
PSPH-E75(R)G2M-M20	145	75
PSPH-E90(R)G2M-M20	160	90

Model/Size	H	G	Y
PSPH-E25(R)G3M-M30	105.5	G3/8	25
PSPH-E50(R)G3M-M30	135.5	G3/8	50
PSPH-E75(R)G3M-M30	176.5	G3/8	75
PSPH-E90(R)G3M-M30	188.5	G3/8	90
PSPH-E25(R)G4M-M30	105.5	G1/2	25
PSPH-E50(R)G4M-M30	135.5	G1/2	50
PSPH-E75(R)G4M-M30	176.5	G1/2	75
PSPH-E90(R)G4M-M30	188.5	G1/2	90

PSPD Series

Double Springs Heavy-duty Level Compensator



UNIVERSAL



HEAVY LOAD

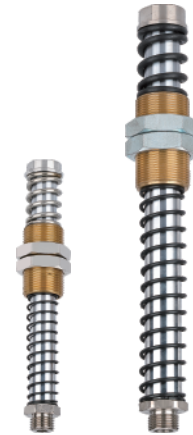


Features

- ◇ Oilless, wear-resistant bushing is built in the guide sleeve
- ◇ With double buffer springs
- ◇ Non-rotating type can be selected
- ◇ Various buffer stroke specifications are available

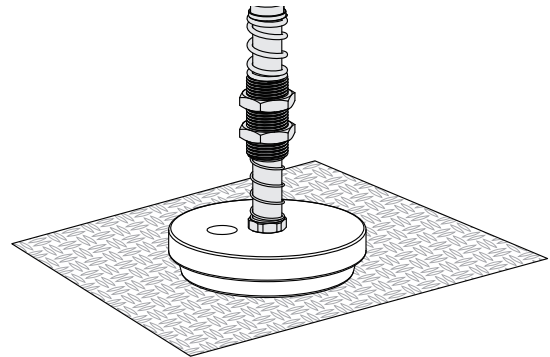
Advantages

- ◇ Reduce product wear, improve the lifetime of the products and reduce the noise
- ◇ Flexible contact with fragile workpieces, compensate the height difference of workpieces
- ◇ Suitable for precise positioning of oval suction cup
- ◇ Suitable for various working conditions



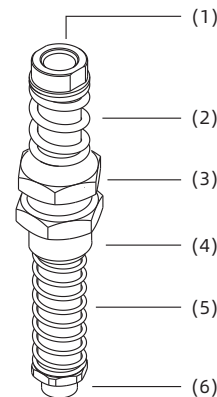
Applications

- ◇ Suitable for handling heavy workpieces, such as steel plate
- ◇ Suitable for the working conditions that need flexible contact and shock absorption when carrying objects, such as glass
- ◇ Suitable for use in harsh environment
- ◇ Non-rotating level compensator is suitable for oval suction cup
- ◇ Double spring buffer structure can prevent the impact on the support rod end when handling the workpiece and turning it over



Structure

- ◇ (1) Vacuum generator connection
- ◇ (2) Spring
- ◇ (3) Mounting nut
- ◇ (4) Guide sleeve
- ◇ (5) Spring
- ◇ (6) Suction cup connection



PSPE

PSPL

PSPS

PSPT

PSPH

PSPD

PSPF

PJS

PJT

PJF

PJB

PJE

PJH

PJP

PJQ

PDA

PDR

PTS

PTK

PSW

How to order

PSPD - E 25 R G3M - M30
 ① ② ③ ④ ⑤ ⑥

① Series	② Buffer type	③ Buffer stroke	④ Rotary type	⑤ Suction cup connection	⑥ Mounting thread
PSPD	E - External spring	25	Nil - Vertical rotating	G2M - G1/4 male thread	M20 - M20×1.5
		50	R - Vertical non-rotating	G3M - G3/8 male thread	M30 - M30×1.5
		90		G4M - G1/2 male thread	

Selection

Model/Connection thread		G3M	RG3M	G4M	RG4M
G2M	RG2M				
PSPD-E25G2M-M20	PSPH-E25RG2M-M20	PSPD-E25G3M-M30	PSPD-E25RG3M-M30	PSPD-E25G4M-M30	PSPD-E25RG4M-M30
PSPD-E50G2M-M20	PSPH-E50RG2M-M20	PSPD-E50G3M-M30	PSPD-E50RG3M-M30	PSPD-E50G4M-M30	PSPD-E50RG4M-M30
-	-	PSPD-E90G3M-M30	PSPD-E90RG3M-M30	PSPD-E90G4M-M30	PSPD-E90RG4M-M30

Technical parameters

Model	Pretightening force(1) N	Elastic force(2) N	Vertical load(3) N	Working temperature °C	Weight g
PSPD-E25(R)G2M-M20	8.6	16.8	2,400	0~80	181
PSPD-E50(R)G2M-M20	14.4	21	2,400	0~80	207
PSPD-E25(R)G3M-M30	24	74.5	4,800	0~80	507
PSPD-E50(R)G3M-M30	7.5	61	4,800	0~80	600
PSPD-E90(R)G3M-M30	25.2	73.7	4,800	0~80	754
PSPD-E25(R)G4M-M30	24	74.5	4,800	0~80	515
PSPD-E50(R)G4M-M30	7.5	61	4,800	0~80	608
PSPD-E90(R)G4M-M30	25.2	73.7	4,800	0~80	762

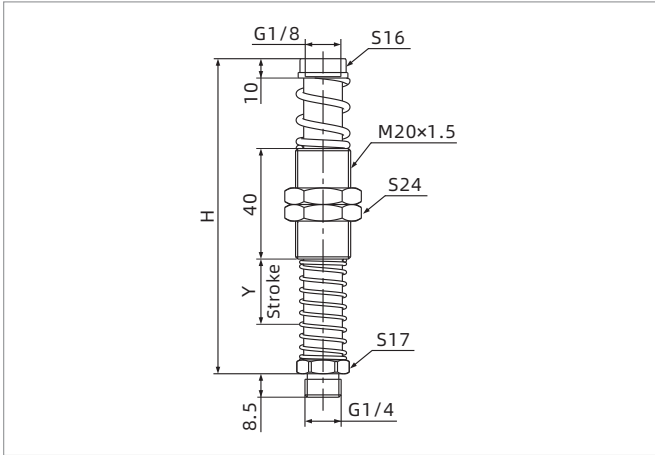
- ◇ Note: 1. Pretightening force is spring elastic force when spring is compressed in nature state
2. Elastic force is spring elastic force when level compensator is compressed in 50% stroke, it is suggested that the actual working compressed stroke of level compensator does not exceed 50% of its max. compressed stroke
3. Vertical load refers to the max. vertical tension that the level compensator can bear in static state
4. When the level compensator is installed horizontally, the workpiece will produce gravity perpendicular to the direction of the level compensator, If the gravity is bigger than the horizontal load range, the spring may get stuck

PSPD Series

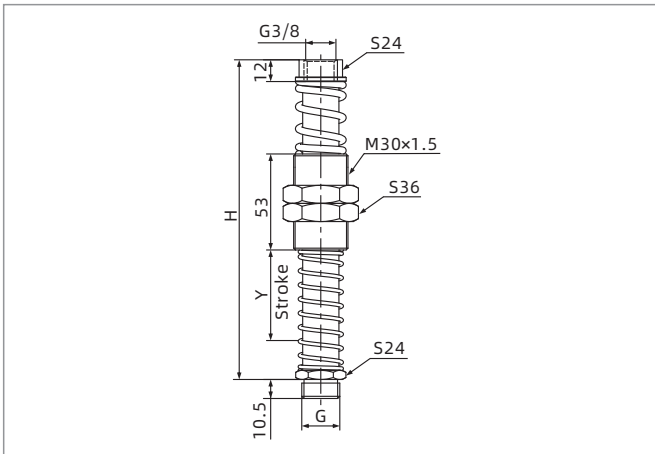


Double Springs Heavy-duty Level Compensator

Dimensions(mm)



PSPD-E□(R)G2M-M20



PSPD-E□(R)G3M-M30 PSPD-E□(R)G4M-M30

Model/Size	H	Y
PSPD-E25(R)G2M-M20	114.5	25
PSPD-E50(R)G2M-M20	144	50

Model/Size	H	G	Y
PSPD-E25(R)G3M-M30	146.5	G3/8	25
PSPD-E50(R)G3M-M30	176.5	G3/8	50
PSPD-E90(R)G3M-M30	229.5	G3/8	90
PSPD-E25(R)G4M-M30	146.5	G1/2	25
PSPD-E50(R)G4M-M30	176.5	G1/2	50
PSPD-E90(R)G4M-M30	229.5	G1/2	90

Mounting Parts

- PSPE
- PSPL
- PSPS
- PSPT
- PSPH
- PSPD**
- PSPF
- PJS
- PJT
- PJF
- PJB
- PJE
- PJH
- PJP
- PJQ
- PDA
- PDR
- PTS
- PTK
- PSW

PSPF Series

Compact Level Compensator



ELECTRONICS

RoHS

Features

- ◇ Small size and light weight
- ◇ External buffer spring
- ◇ Different buffer stroke can be selected

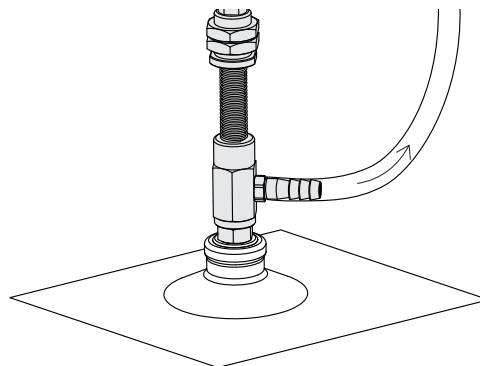
Advantages

- ◇ Especially suitable for electronic industry
- ◇ Flexible contact with fragile workpieces, compensate the height difference of workpieces
- ◇ Suitable for various working conditions



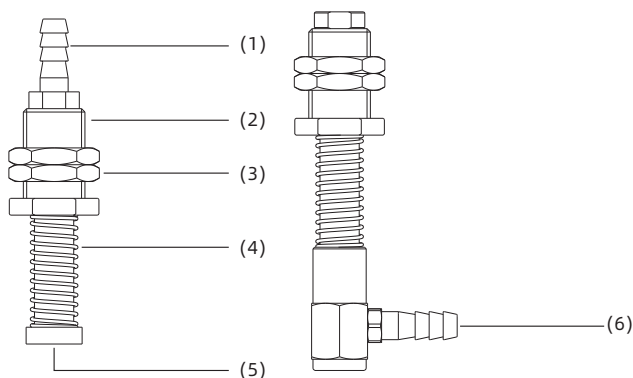
Applications

- ◇ Suitable for handling workpieces with height difference
- ◇ Handle parts sensitive to pressure with flexible contact
- ◇ Suitable for electronic industry



Structure

- ◇ (1) Vacuum generator connection
- ◇ (2) Guide sleeve
- ◇ (3) Mounting nut
- ◇ (4) Spring
- ◇ (5) Suction cup connection
- ◇ (6) Vacuum generator connection



PSPF Series

Compact Level Compensator

How to order

PSPF - E 6 LB6 M5F - M14

① ② ③ ④ ⑤ ⑥

① Series	② Buffer style	③ Buffer stroke	④ Rotary type
PSPF	E - External spring	4 15	B6 - Vertical rotating, pagoda fitting $\phi 6$ hose
		6 30	LB6 - Lateral rotating, pagoda fitting $\phi 6$ hose
		10	LR1 - Lateral rotating, Rc1/8 inside tapered thread

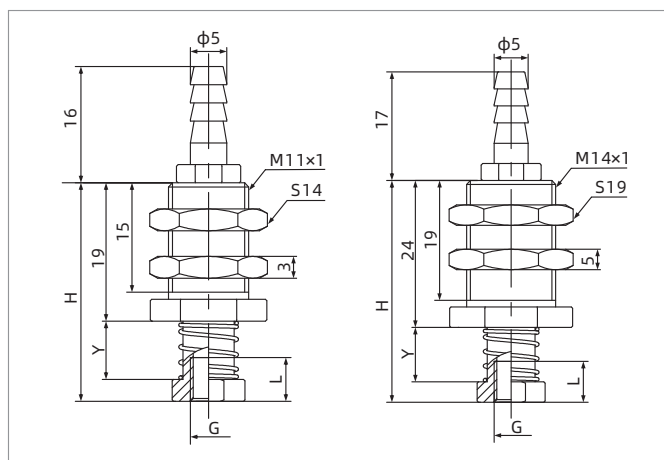
⑤ Connection thread	⑥ Mounting thread
M5F - M5×0.8 female thread	M11 - M11×1
M8F - M8×1.25 female thread	M14 - M14×1
M10M - M10×1.25 male thread	M16 - M16×1.5

Selection

Model/Connection thread				
B6M5F	LB6M5F	B6M8F	LB6M8F	LR1M10M
PSPF-E4B6M5F-M11	PSPF-E4LB6M5F-M11	-	-	-
PSPF-E10B6M5F-M11	PSPF-E10LB6M5F-M11	-	-	-
PSPF-E6B6M5F-M14	PSPF-E6LB6M5F-M14	PSPF-E6B6M8F-M14	PSPF-E6LB6M8F-M14	-
PSPF-E15B6M5F-M14	PSPF-E15LB6M5F-M14	PSPF-E6B6M8F-M14	PSPF-E15LB6M8F-M14	-
-	-	-	-	PSPF-E10LR1M10M-M16
-	-	-	-	PSPF-E30LR1M10M-M16

◇ Note: It is suggested that the actual working compressed stroke of level compensator should not exceed 50% of its max. compressed stroke

Dimensions(mm)



PSPF-E□B6M5F-M11

PSPF-E□B6M5F(M8F)-M14

Model/Size	H	G	L	Y	Stroke	Weight g
PSPF-E4B6M5F-M11	30	M5×0.8	6	8	4	26
PSPF-E10B6M5F-M11	42	M5×0.8	6	20	10	29.5
PSPF-E6B6M5F-M14	40	M5×0.8	6	13	6	53
PSPF-E15B6M5F-M14	57	M5×0.8	6	30	15	64.5
PSPF-E6B6M8F-M14	40	M8×1.25	8	13	6	55
PSPF-E15B6M8F-M14	57	M8×1.25	8	30	15	65

PSPF

PSPF

PSPF

PSPF

PSPH

PSPD

PSPF

PJS

PJT

PJF

PJB

PJE

PJH

PJP

PJQ

PDA

PDR

PTS

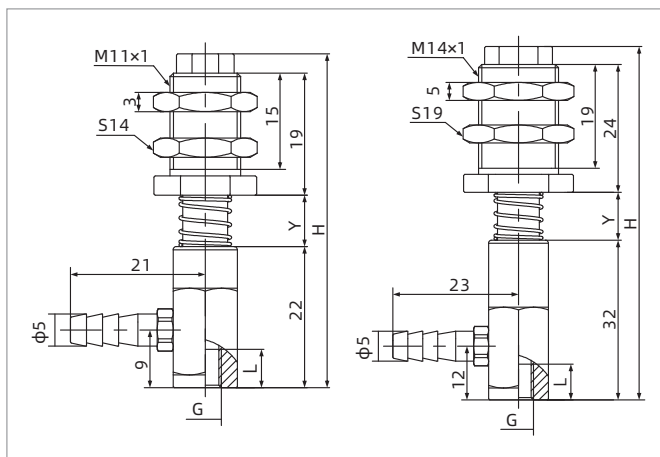
PTK

PSW

PSPF Series

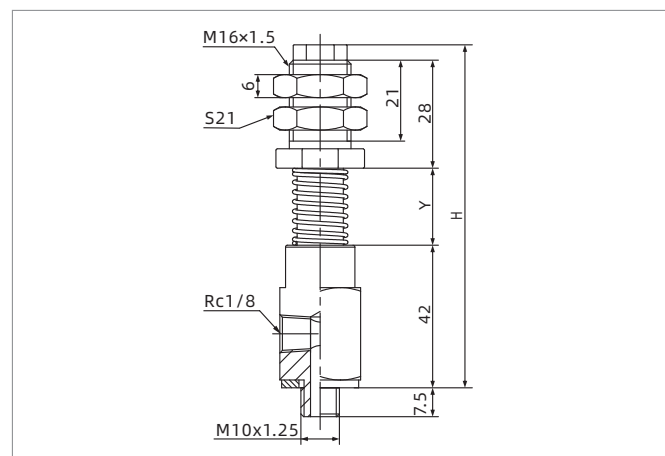
Compact Level Compensator

Dimensions(mm)



PSPF-E□LB6M5F-M11

PSPF-E□LB6M5F(M8F)-M14



PSPF-E□LR1M10M-M16

Model/Size	H	G	L	Y	Stroke	Weight g
PSPF-E4LB6M5F-M11	52	M5×0.8	6	8	4	42
PSPF-E10LB6M5F-M11	64	M5×0.8	6	20	10	61
PSPF-E6LB6M5F-M14	73	M5×0.8	6	13	6	98
PSPF-E15LB6M5F-M14	90	M5×0.8	6	30	15	112
PSPF-E6LB6M8F-M14	73	M8×1.25	8	13	6	96
PSPF-E15LB6M8F-M14	90	M8×1.25	8	30	15	108

Model/Size	H	Y	Stroke	Weight g
PSPF-E10LR1M10M-M16	94	20	10	213
PSPF-E30LR1M10M-M16	134	60	30	256

PJS Series

Fitting for Suction Cup



UNIVERSAL

Features

- ◇ Standard fitting for suction cup, easy to selection
- ◇ Split stucture design, reusable and cost saving



How to order

PJS - G1F - SF1 - EW
 ① ② ③ ④

① Series	② Connection thread	③ Suction cup connection	④ Special specification
PJS	M3M - M3×0.5 male thread	M5F - M5×0.8 female thread	SF(1-3)
	M5M - M5×0.8 male thread	G1F - G1/8 female thread	SC(1-6)
	M8M - M8×1.25 male thread	G2F - G1/4 female thread	ST(1-8)
	G1M - G1/8 male thread	G3F - G3/8 female thread	
	G2M - G1/4 male thread		
	G3M - G3/8 male thread		
			Nil - Default,without special specification EW - Built-in mesh filter EH - Built-in mesh filter+ throttle valve

Selection - SF

Model/Special specification		EW - Built-in mesh filter		EH - Built-in mesh filter + throttle valve	
Basic type					
PJS-G1M-SF1	PJS-G1F-SF1	PJS-G1M-SF1-EW	PJS-G1F-SF1-EW	PJS-G1M-SF1-EH	PJS-G1F-SF1-EH
PJS-G1M-SF2	PJS-G1F-SF2	PJS-G1M-SF2-EW	PJS-G1F-SF2-EW	PJS-G1M-SF2-EH	PJS-G1F-SF2-EH
PJS-G2M-SF3	PJS-G2F-SF3	PJS-G2M-SF3-EW	PJS-G2F-SF3-EW	PJS-G2M-SF3-EH	PJS-G2F-SF3-EH
PJS-G3M-SF3	PJS-G3F-SF3	PJS-G3M-SF3-EW	PJS-G3F-SF3-EW	PJS-G3M-SF3-EH	PJS-G3F-SF3-EH

Selection - SC

Model/Connection thread M - male thread	F - female thread
PJS-M5M-SC2	PJS-M5F-SC1
PJS-M5M-SC3	PJS-M5F-SC4
-	PJS-M5F-SC5
-	PJS-M8F-SC6

Selection - ST

Model/Connection thread M - male thread	M - male thread
PJS-M3M-ST1	PJS-M8M-ST5
PJS-M5M-ST2	PJS-M8M-ST6
PJS-M5M-ST3	PJS-M6M-ST7
PJS-M5M-ST4	PJS-G1M-ST8

PSPE

PSPL

PSPS

PSPT

PSPH

PSPD

[PSPF](#)

[PJS](#)

PJT

PJF

PJB

PJE

PJH

PJP

PJQ

PDA

PDR

PTS

PTK

PSW

PJS Series

Fitting for Suction Cup

Dimensions(mm) - SF

Applicable suction cup:
 SU20, 25, 30
 SF20, 25, 30
 SB17, 20
 SBL20
 SBP20
 SXP20, 25, 30
 SFP20, 30
 SGP25, 35

PJS-G1F-SF1

Applicable suction cup:
 SU20, 25, 30
 SF20, 25, 30
 SB17, 20
 SBL20
 SBP20
 SXP20, 25, 30
 SFP20, 30
 SGP25, 35

PJS-G1M-SF1

Applicable suction cup:
 SU40
 SF40
 SB30, 40
 SBL30, 40
 SBP30, 40
 SXP35, 40
 SFP40
 SGP45

PJS-G1F-SF2

Applicable suction cup:
 SU40
 SF40
 SB30, 40
 SBL30, 40
 SBP30, 40
 SXP35, 40
 SFP40
 SGP45

PJS-G1M-SF2

Applicable suction cup:
 SU50
 SF50
 SB50
 SBL50
 SBP50
 SXP50
 SGP55

PJS-G2F-SF3

Applicable suction cup:
 SU50
 SF50
 SB50
 SBL50
 SBP50
 SXP50
 SGP55

PJS-G2M-SF3

Applicable suction cup:
 SU50
 SF50
 SB50
 SBL50
 SBP50
 SXP50
 SGP55

PJS-G3F-SF3

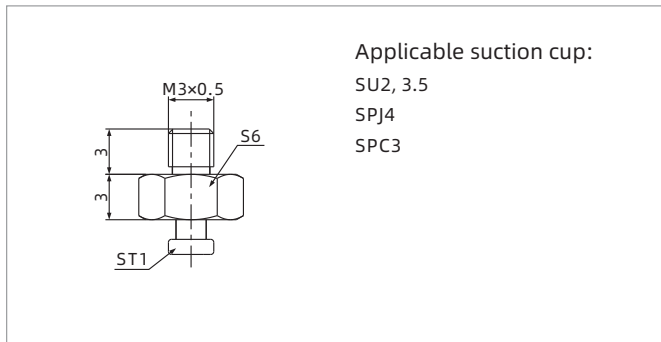
Applicable suction cup:
 SU50
 SF50
 SB50
 SBL50
 SBP50
 SXP50
 SGP55

PJS-G3M-SF3

PJS Series

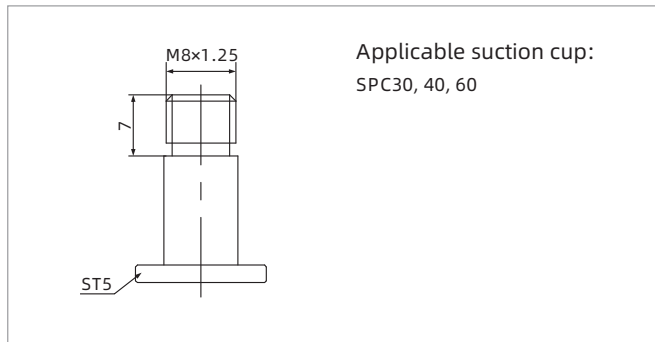
Fitting for Suction Cup

Dimensions(mm)-ST



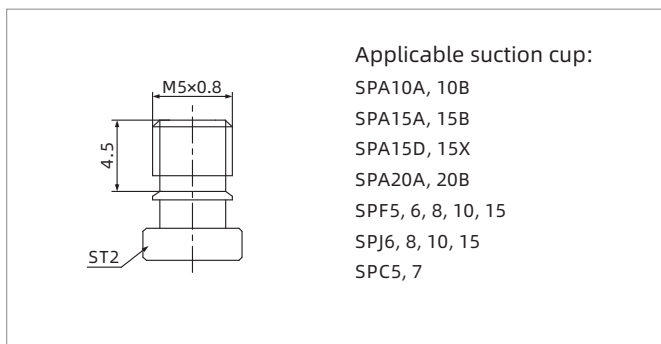
Applicable suction cup:
 SU2, 3,5
 SPJ4
 SPC3

PJS-M3M-ST1



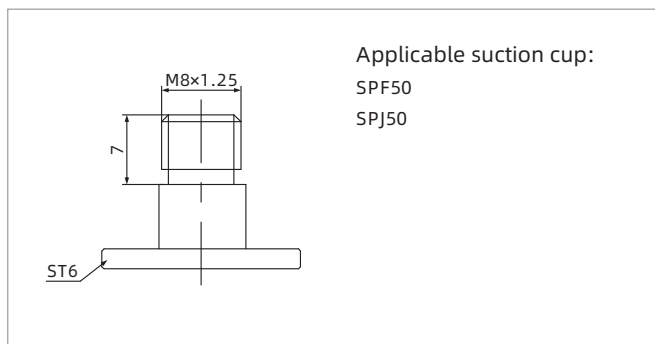
Applicable suction cup:
 SPC30, 40, 60

PJS-M8M-ST5



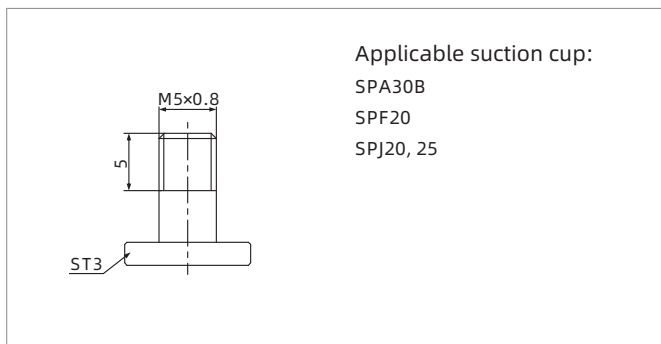
Applicable suction cup:
 SPA10A, 10B
 SPA15A, 15B
 SPA15D, 15X
 SPA20A, 20B
 SPF5, 6, 8, 10, 15
 SPJ6, 8, 10, 15
 SPC5, 7

PJS-M5M-ST2



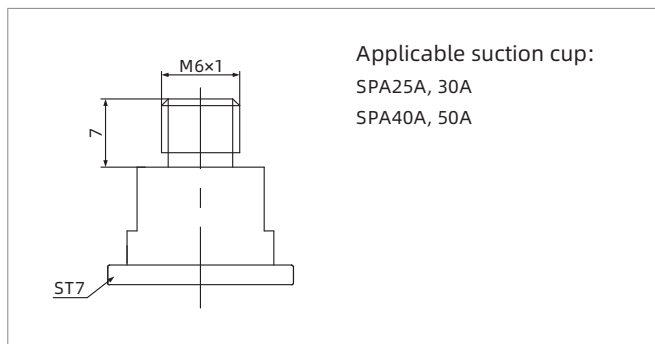
Applicable suction cup:
 SPF50
 SPJ50

PJS-M8M-ST6



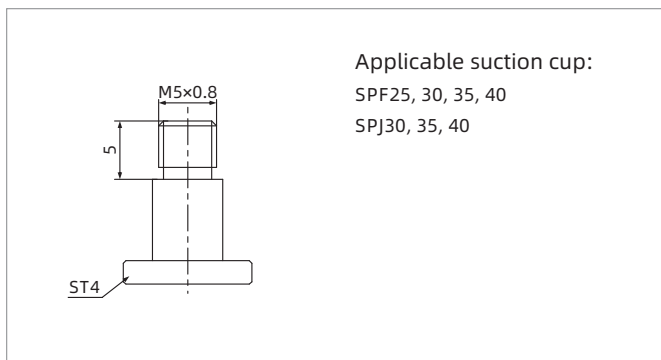
Applicable suction cup:
 SPA30B
 SPF20
 SPJ20, 25

PJS-M5M-ST3



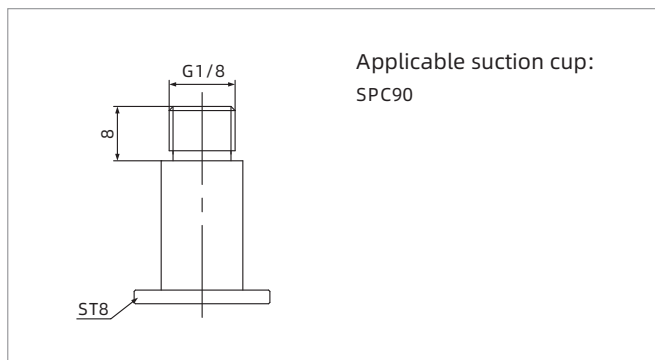
Applicable suction cup:
 SPA25A, 30A
 SPA40A, 50A

PJS-M6M-ST7



Applicable suction cup:
 SPF25, 30, 35, 40
 SPJ30, 35, 40

PJS-M5M-ST4



Applicable suction cup:
 SPC90

PJS-G1M-ST8

PSPE

PSPL

PSPS

PSPT

PSPH

PSPD

PSPF

PJS

PJT

PJF

PJB

PJE

PJH

PJP

PJQ

PDA

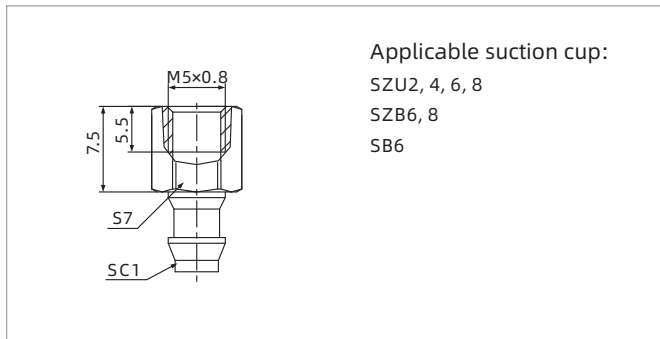
PDR

PTS

PTK

PSW

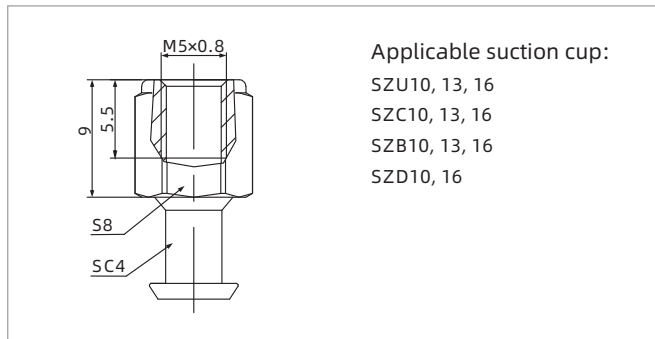
Dimensions(mm) - SC



Applicable suction cup:

- SZU2, 4, 6, 8
- SZB6, 8
- SB6

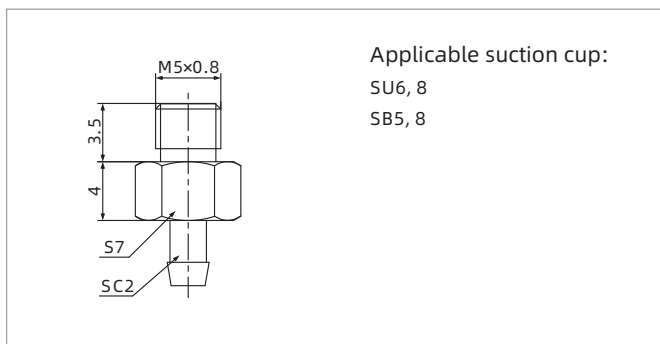
PJS-M5F-SC1



Applicable suction cup:

- SZU10, 13, 16
- SZC10, 13, 16
- SZB10, 13, 16
- SZD10, 16

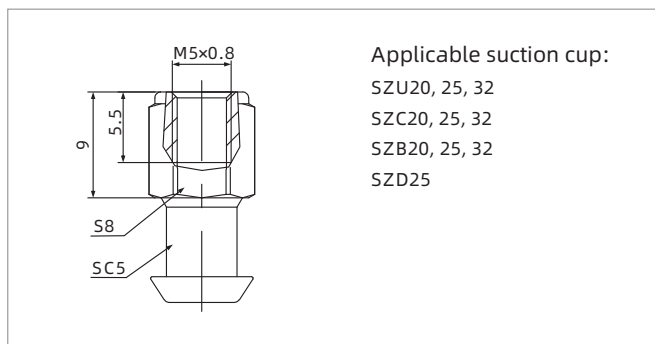
PJS-M5F-SC4



Applicable suction cup:

- SU6, 8
- SB5, 8

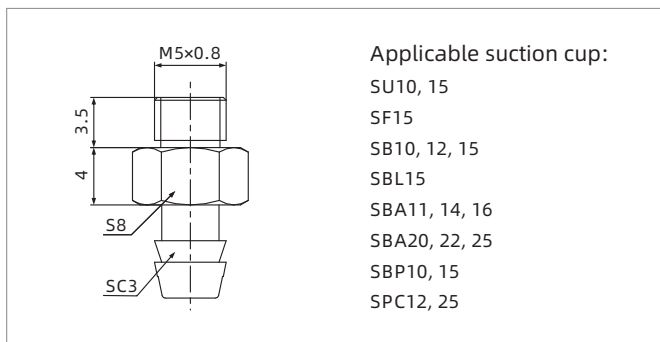
PJS-M5M-SC2



Applicable suction cup:

- SZU20, 25, 32
- SZC20, 25, 32
- SZB20, 25, 32
- SZD25

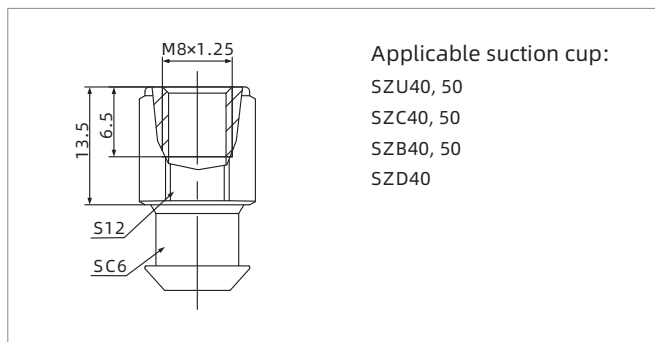
PJS-M5F-SC5



Applicable suction cup:

- SU10, 15
- SF15
- SB10, 12, 15
- SBL15
- SBA11, 14, 16
- SBA20, 22, 25
- SBP10, 15
- SPC12, 25

PJS-M5M-SC3



Applicable suction cup:

- SZU40, 50
- SZC40, 50
- SZB40, 50
- SZD40

PJS-M8F-SC6

PJT Series

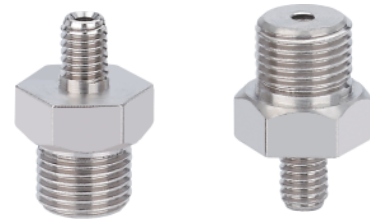
Universal Mounting Parts-Adapter



UNIVERSAL

Features

- ◇ Various specifications to achieve conversion between different threads
- ◇ Made of copper alloy and plated with electroless nickel



How to order

PJT - M5M - M8F
 ① ② ③

① Series	② Connection thread(1)	③ Connection thread(2)
PJT	M5M - M5×0.8 male thread M8M - M8×1.25 male thread G1M - G1/8 male thread G2M - G1/4 male thread G3M - G3/8 male thread M5F - M5×0.8 female thread M8F - M8×1.25 female thread G1F - G1/8 female thread G2F - G1/4 female thread G3F - G3/8 female thread	Nil - Same as connection thread(1) M5M - M5×0.8 male thread M8M - M8×1.25 male thread G1M - G1/8 male thread G2M - G1/4 male thread G3M - G3/8 male thread G4M - G1/2 male thread M5F - M5×0.8 female thread M8F - M8×1.25 female thread G1F - G1/8 female thread G2F - G1/4 female thread G3F - G3/8 female thread G4F - G1/2 female thread

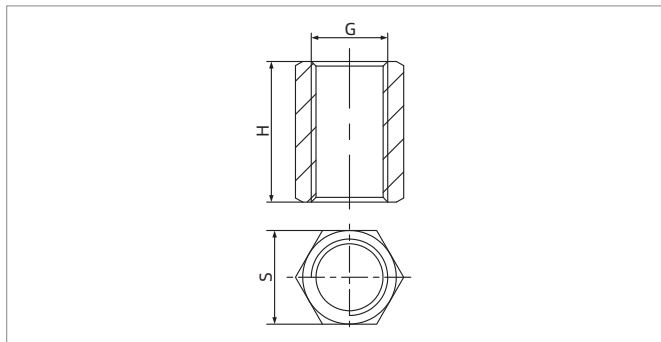
Selection - SF

Model/Type Equal diameter female-female thread	Equal diameter male-male thread	Different diameter male-male thread	Different diameter female-male thread
PJT-M5F	PJT-M5M	PJT-M5M-M8M	PJT-M5M-M8F
PJT-M8F	PJT-M8M	PJT-M8M-G1M	PJT-M8M-G1F
PJT-G1F	PJT-G1M	PJT-G1M-G2M	PJT-G1M-G2F
PJT-G2F	PJT-G2M	PJT-G2M-G3M	PJT-G2M-G3F
PJT-G3F	PJT-G3M	PJT-G3M-G4M	PJT-G3M-G4F

PJT Series

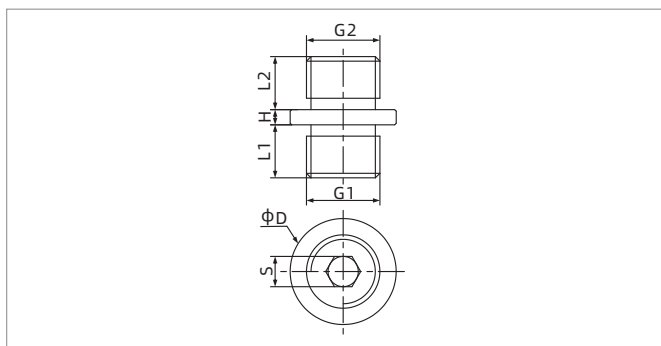
Universal Mounting Parts-Adapter

Dimensions(mm)



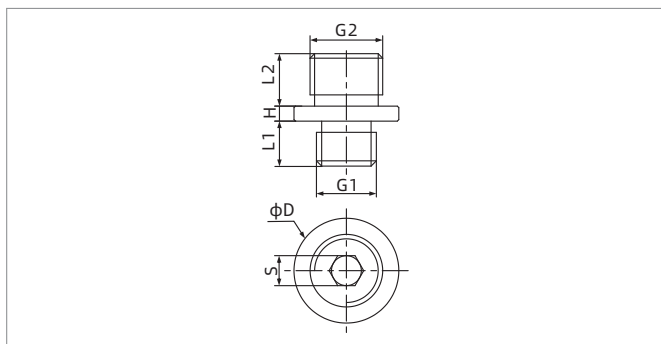
Model/Size	G	H	S	Weight g
PJT-M5F	M5×0.8	11	8	4
PJT-M8F	M8×1.25	15	10	6.6
PJT-G1F	G1/8	18	12	10
PJT-G2F	G1/4	22	16	22
PJT-G3F	G3/8	24	19	27

Equal diameter female-female thread



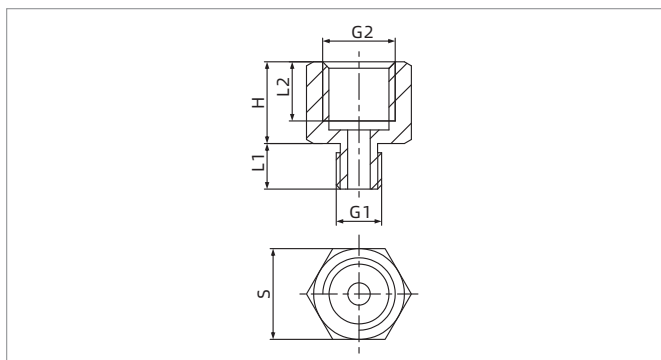
Model/Size	G1	L1	G2	L2	H	D	S	Weight g
PJT-M5M	M5×0.8	5	M5×0.8	5	1.5	8	2.5	3
PJT-M8M	M8×1.25	7	M8×1.25	7	1.5	12	3	7
PJT-G1M	G1/8	7	G1/8	7	1.5	14	4	11.5
PJT-G2M	G1/4	9	G1/4	9	2	17	5	23
PJT-G3M	G3/8	10	G3/8	10	2	21	5	33

Equal diameter male-male thread



Model/Size	G1	L1	G2	L2	H	D	S	Weight g
PJT-M5M-M8M	M5×0.8	5	M8×1.25	7	1.5	12	2.5	6
PJT-M8M-G1M	M8×1.25	7	G1/8	7	1.5	14	4	11.5
PJT-G1M-G2M	G1/8	7	G1/4	9	2	17	5	20
PJT-G2M-G3M	G1/4	9	G3/8	10	2	21	5	30
PJT-G3M-G4M	G3/8	10	G1/2	12	2	24	6	37

Different diameter male-male thread



Model/Size	G1	L1	G2	L2	H	S	Weight g
PJT-M5M-M8F	M5×0.8	5	M8×1.25	7	9	10	5
PJT-M8M-G1F	M8×1.25	7	G1/8	8	10	12	8
PJT-G1M-G2F	G1/8	7	G1/4	10	13	16	16.2
PJT-G2M-G3F	G1/4	9	G3/8	10	13	19	25
PJT-G3M-G4F	G3/8	10	G1/2	12	15	24	48

Different diameter female-male thread

PJF Series

Universal Mounting Parts-Locking Fitting



UNIVERSAL

Features

- ◇ Match the connection thread of suction cup, variety of connection and mounting thread are available
- ◇ Small size and simple structure, especially suitable for electronic industry



How to order

PJF - LB6 - M4F - M5F

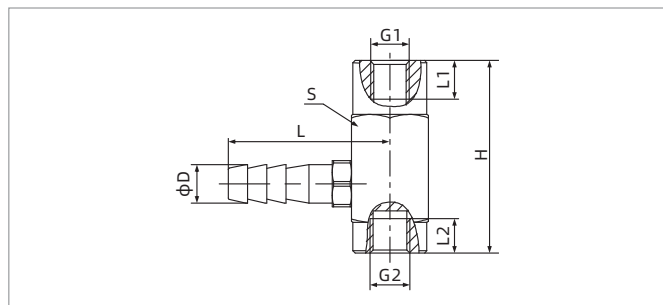
① ② ③ ④

① Series	② Vacuum port connection	③ Mounting thread	④ Suction cup connection	
PJF	A4 - Vertical, one-touch fitting $\phi 4$ A6 - Vertical, one-touch fitting $\phi 6$ A8 - Vertical, one-touch fitting $\phi 8$ R1 - Vertical, Rc1/8 inside tapered thread LB6 - Lateral, pagoda fitting $\phi 6$ LR1 - Lateral, Rc1/8 inside tapered thread	M4F - M4x0.7 female thread M5F - M5x0.8 female thread M6F - M6x1 female thread M8F - M8x1.25 female thread M10F - M10x1.5 female thread	M8M - M8x1 male thread M10M - M10x1 male thread M12M - M12x1 male thread M14M - M14x1 male thread M16M - M16x1.5 male thread	M5F - M5x0.8 female thread M8F - M8x1.25 female thread G1F - G1/8 female thread G2F - G1/4 female thread G3F - G3/8 female thread

Selection

Model/Vacuum port connection	Lateral pagoda fitting	Vertical one-touch fitting	Vertical pagoda fitting	Vertical female thread	Lateral female thread
PJF-LB6-M4F-M5F	PJF-A4-M12M-M5F	PJF-B6-M8M-M5F	PJF-B6-M8M-M5F	PJF-R1-M16M-G2F	PJF-LR1-M10F-G2F
PJF-LB6-M6F-M5F	PJF-A6-M14M-M5F	PJF-B6-M10M-M5F	PJF-B6-M10M-M5F	PJF-R1-M16M-G3F	PJF-LR1-M10F-G3F
PJF-LB6-M6F-M8F	PJF-A6-M14M-M8F	PJF-B6-M10M-M8F	PJF-B6-M10M-M8F	-	-
PJF-LB6-M8F-G1F	PJF-A6-M14M-G1F	PJF-B6-M14M-G1F	PJF-B6-M14M-G1F	-	-
-	PJF-A8-M16M-G2F	-	-	-	-

Dimensions(mm)



Lateral pagoda fitting

Model/size	H	G1	L1	G2	L2	S	D	L	Weight g
PJF-LB6-M4F-M5F	22	M4	6	M5	6	10	5	21	15.5
PJF-LB6-M6F-M5F	32	M6	8	M5	6	14	5	23	40
PJF-LB6-M6F-M8F	32	M6	8	M8	8	14	5	23	39
PJF-LB6-M8F-G1F	32	M8	6.5	G1/8	6	14	5	23	39

Mounting Parts

PSPE

PSPL

PSPS

PSPT

PSPH

PSPD

PSPF

PJS

PJT

PJF

PJB

PJE

PJH

PJP

PJQ

PDA

PDR

PTS

PTK

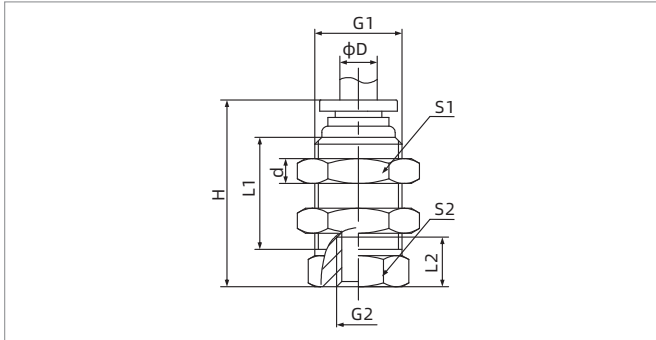
PSW

PJF Series

Universal Mounting Parts-Locking Fitting

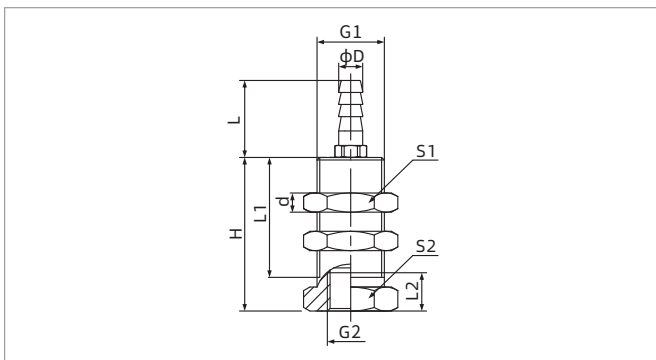


Dimensions(mm)



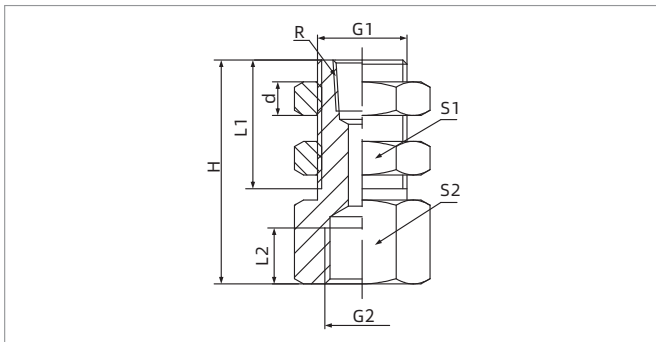
Vertical one-touch fitting

Model/Size	H	G1	L1	G2	L2	S1	S2	d	D	Weight g
PJF-A4-M12M-M5F	27.5	M12x1	17.5	M5	6	14	12	4	4	22.5
PJF-A6-M14M-M5F	30	M14x1	18	M5	6	19	14	5	6	30
PJF-A6-M14M-M8F	30	M14x1	18	M8	8	19	14	5	6	38
PJF-A6-M14M-G1F	30	M14x1	18	G1/8	8	19	14	5	6	27
PJF-A8-M16M-G2F	40	M16x1.5	23	G1/4	10	21	17	6	8	63.5



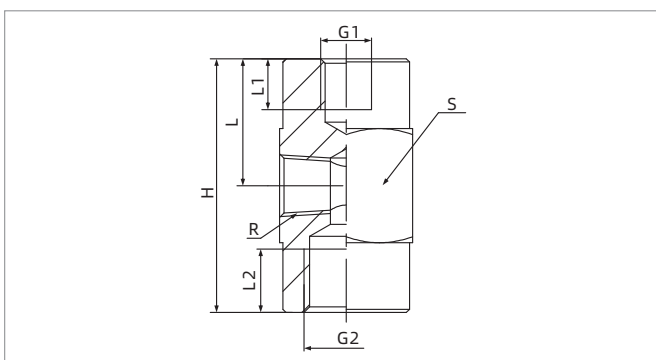
Vertical pagoda fitting

Model/Size	H	G1	L1	G2	L2	S1	S2	L	d	D	Weight g
PJF-B6-M8M-M5F	22	M8x1	17	M5	5	12	12	16	3	5	27
PJF-B6-M10M-M5F	32	M10x1	22	M5	6	14	14	16	3	5	30
PJF-B6-M10M-M8F	32	M10x1	22	M8	8	14	14	16	3	5	28
PJF-B6-M14M-G1F	32	M14x1	22	G1/8	8	19	17	16	5	5	33



Vertical female thread

Model/Size	H	G1	L1	G2	L2	S1	S2	d	R	Weight g
PJF-R1-M16M-G2F	40	M16x1.5	23	G1/4	10	22	21	6	Rc1/8	86.5
PJF-R1-M16M-G3F	40	M16x1.5	23	G3/8	11	22	21	6	Rc1/8	78



Lateral female thread

Model/Size	H	G1	L1	G2	L2	S	L	R	Weight g
PJF-LR1-M10F-G2F	40	M10	8	G1/4	10	21	20	Rc1/8	88.5
PJF-LR1-M10F-G3F	40	M10	8	G3/8	11	21	20	Rc1/8	79

PJB Series

Universal Mounting Parts-Ball Joint



UNIVERSAL

Features

- ◇ Flexible connection for deflection in any direction with a maximum deflection angle of 12°
- ◇ The ball and socket are equipped with sealing rings to prevent vacuum leakage during rotation
- ◇ It is made of high strength steel and has good stability
- ◇ Suitable for large suction cup to handle workpiece with inclined surface



How to order

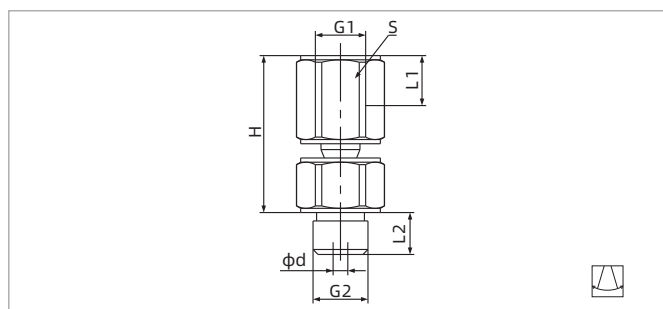
PJB - G4M - S
 ① ② ③

① Series	② Suction cup connection		③ External sealing device
PJB	G1M - G1/8 male thread M10M - M10×1.25 male thread	G2M - G1/4 male thread G4M - G1/2 male thread	Nil - Standard type S - With external sealing suction cup

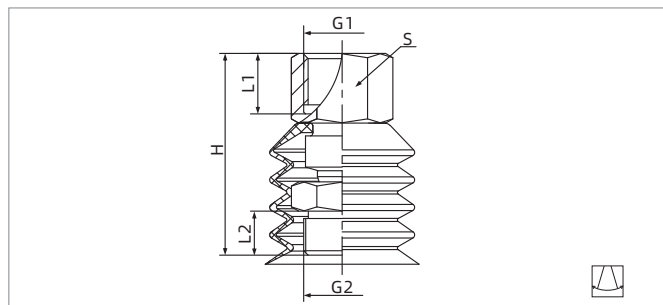
Selection

Model/Suction cup connection		G1M	M10M	G2M	G4M
PJB-G1M	PJB-G1M-S		PJB-M10M	PJB-G2M	PJB-G4M PJB-G4M-S

Dimensions(mm)



PJB-□



PJB-□-S

Model/Size	H	G1	L1	G2	L2	S	d	Deflection angle	Weight g
PJB-G1M	26.5	G1/8	8	G1/8	7	12	2	12°	20
PJB-M10M	37.5	G1/4	12	M10×1.25	10	19	3.5	12°	82
PJB-G2M	37.5	G1/4	12	G1/4	10	19	3.5	12°	75
PJB-G4M	40	G1/2	15	G1/2	12	24	4	12°	113

Model/Size	H	G1	L1	G2	L2	S	Deflection angle	Weight g
PJB-G1M-S	33	G1/8	8	G1/8	7	12	12°	21
PJB-G4M-S	52	G1/2	15	G1/2	12	24	12°	133

Mounting Parts

- PSPE
- PSPL
- PSPS
- PSPT
- PSPH
- PSPD
- PSPF
- PJS
- PJT
- PJF
- PJB
- PJE
- PJH
- PJP
- PJQ
- PDA
- PDR
- PTS
- PTK
- PSW

PJE Series

Universal mounting parts-flexible joint



UNIVERSAL

Features

- ◇ Flexible connection for deflection in any direction with a maximum deflection angle 12°
- ◇ The rotating joints are vulcanized by high-strength metal and high-performance rubber, which guarantees strength, elasticity and sealability, and can be automatically reset
- ◇ Suitable for large suction cup to handle workpiece with inclined surface



How to order

PJE - G2F - G2M

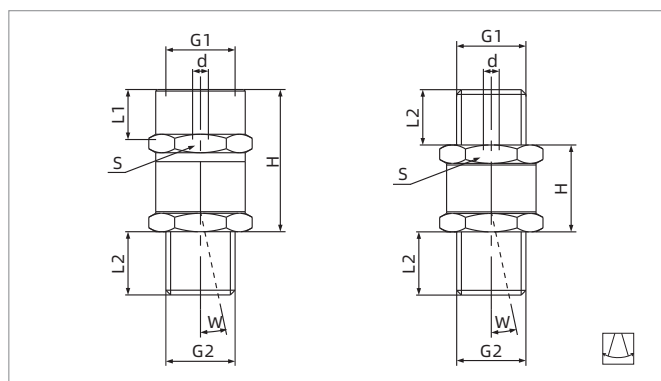
① ② ③

① series	② Vacuum port connection	③ Suction cup connection
PJE	G2M - G1/4 male thread G4M - G1/2 male thread G2F - G1/4 female thread G4F - G1/2 female thread	M10M - M10×1.25 male thread G2M - G1/4 male thread G4M - G1/2 male thread

Selection

Model/Vacuum port connection G2M	G2F	G4M	G4F
PJE-G2M-G2M	PJE-G2F-M10M PJE-G2F-G2M	PJE-G4M-G4M	PJE-G4F-G4M

Dimensions(mm)



PJE-F-M

PJE-M-M

Model/Size	H	G1	L1	G2	L2	d	S	W	Weight g
PJE-G2F-M10M	27	G1/4	12	M10×1.25	8	3	17	12°	33.5
PJE-G2F-G2M	27	G1/4	12	G1/4	12	3	17	12°	39
PJE-G2M-G2M	16.5	G1/4	10.5	G1/4	12	3	17	12°	32.5
PJE-G4F-G4M	33.5	G1/2	14	G1/2	14	6	27	12°	105.5
PJE-G4M-G4M	21	G1/2	14	G1/2	14	6	27	12°	94.5

PJH Series

Universal Mounting Parts-Flexible Joint



UNIVERSAL

Features

- ◇ Ball clamp structure , which can adjust height and angle.
It is suitable for workpiece with irregular surface
- ◇ Made of high-strength aluminum alloy and light weight



How to order

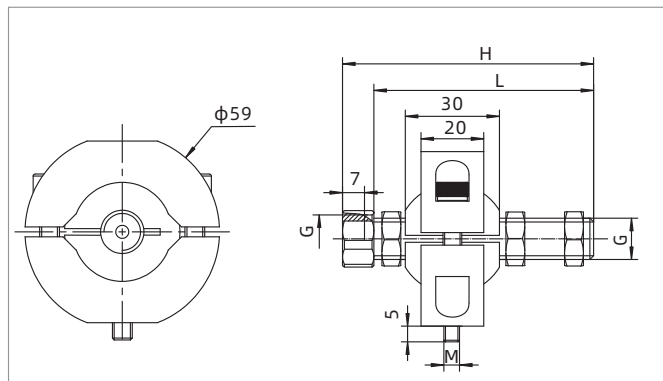
PJH - 1 A 80
① ② ③ ④

① Series	② Mounting Specification	③ Connection thread	④ Length of connecting rod	
PJH	1 - 1×M5 Fixed screw	A - G1/4	80 - 80mm	140 - 140mm
	2 - 2×M6 Fixed screw	B - G3/8	100 - 100mm	200 - 200mm

Selection

Model/Mounting specification 1A	1B	2A	2B
PJH-1A80	PJH-1B80	PJH-2A80	PJH-2B80
PJH-1A100	PJH-1B100	PJH-2A100	PJH-2B100
PJH-1A140	PJH-1B140	PJH-2A140	PJH-2B140
PJH-1A200	PJH-1B200	PJH-2A200	PJH-2B200

Dimensions(mm)



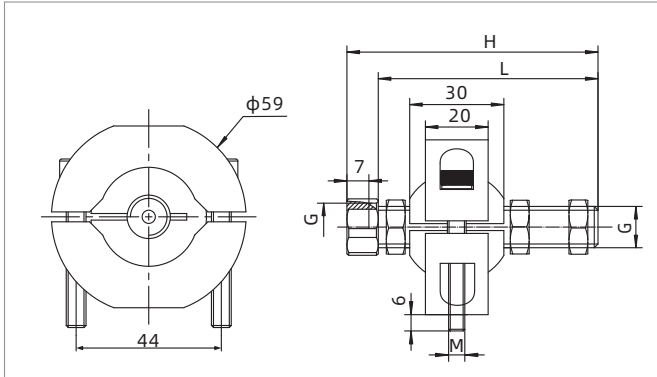
PJH-1□□

Model/Size	G	M	H	L	Setting angle	Weight g
PJH-1A80	G1/4	M5×0.8	80	70	15°	293
PJH-1A100	G1/4	M5×0.8	100	90	15°	299.5
PJH-1A140	G1/4	M5×0.8	140	130	15°	314
PJH-1A200	G1/4	M5×0.8	200	190	15°	335
PJH-1B80	G3/8	M5×0.8	80	70	15°	325
PJH-1B100	G3/8	M5×0.8	100	90	15°	331
PJH-1B140	G3/8	M5×0.8	140	130	15°	352
PJH-1B200	G3/8	M5×0.8	200	190	15°	385

PJH Series

Universal Mounting Parts-Flexible Joint

Dimensions(mm)



PJH-2□□

Model/Size	G	M	H	L	Setting angle	Weight g
PJH-2A80	G1/4	2-M6×1	80	70	15°	216
PJH-2A100	G1/4	2-M6×1	100	90	15°	222.5
PJH-2A140	G1/4	2-M6×1	140	130	15°	237
PJH-2A200	G1/4	2-M6×1	200	190	15°	257.5
PJH-2B80	G3/8	2-M6×1	80	70	15°	192.5
PJH-2B100	G3/8	2-M6×1	100	90	15°	203.5
PJH-2B140	G3/8	2-M6×1	140	130	15°	239.5
PJH-2B200	G3/8	2-M6×1	200	190	15°	286.5

PJP Series

Universal One-touch Fitting



UNIVERSAL

Features

- ◇ Copper alloy body, suitable for harsh environment, long lifetime
- ◇ Work as connecting components in vacuum system
- ◇ Various types to be selected



How to order

PJP - I - A4 - M5M
 ① ② ③ ④

① Series	② Hose direction	③ Hose specification	④ Connection thread
PJP	I - Straight	A4 - $\phi 4$ hose	M5M - M5x0.8 male thread
	L - Elbow	A6 - $\phi 6$ hose	G1M - G1/8 male thread
	LT - Universal male elbow	A8 - $\phi 8$ hose	G2M - G1/4 male thread
	T - Male branch T	A10 - $\phi 10$ hose	G3M - G3/8 male thread
	QT - Union T	A12 - $\phi 12$ hose	G4M - G1/2 male thread
			A14 - $\phi 14$ hose

Selection

Model/Type Straight		Elbow		Universal male elbow	Male branch T	Union T
PJP-I-A4-M5M	PJP-I-A8-G3M	PJP-L-A4-M5M	PJP-L-A12-G2M	PJP-LT-A4-M5M	PJP-T-A4-M5M	PJP-QT-A4
PJP-I-A4-G1M	PJP-I-A10-G3M	PJP-L-A4-G1M	PJP-L-A8-G3M	PJP-LT-A6-G1M	PJP-T-A4-G1M	PJP-QT-A6
PJP-I-A6-G1M	PJP-I-A12-G3M	PJP-L-A6-G1M	PJP-L-A10-G3M	PJP-LT-A8-G2M	PJP-T-A6-G1M	PJP-QT-A8
PJP-I-A8-G1M	PJP-I-A14-G3M	PJP-L-A8-G1M	PJP-L-A12-G3M		PJP-T-A8-G1M	PJP-QT-A10
PJP-I-A6-G2M	PJP-I-A10-G4M	PJP-L-A4-G2M	PJP-L-A10-G4M		PJP-T-A6-G2M	PJP-QT-A12
PJP-I-A8-G2M	PJP-I-A12-G4M	PJP-L-A6-G2M	PJP-L-A12-G4M		PJP-T-A8-G2M	PJP-QT-A14
PJP-I-A10-G2M	PJP-I-A14-G4M	PJP-L-A8-G2M			PJP-T-A10-G2M	
PJP-I-A12-G2M		PJP-L-A10-G2M			PJP-T-A12-G2M	

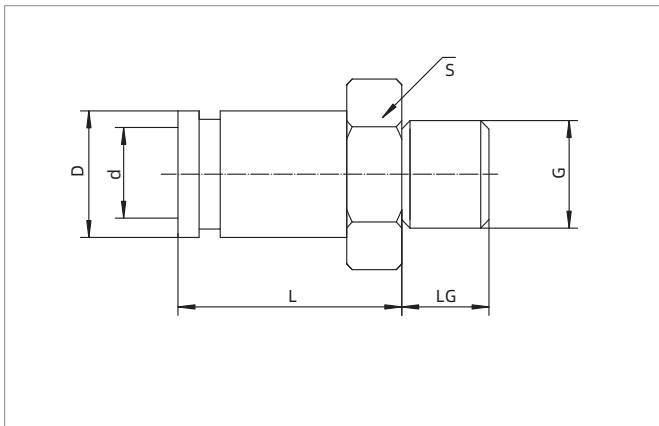
Mounting Parts

- PSPE
- PSPL
- PSPS
- PSPT
- PSPH
- PSPD
- PSPF
- PJS
- PJT
- PJF
- PJB
- PJE
- PJH
- PJP
- PJQ
- PDA
- PDR
- PTS
- PTK
- PSW

PJP Series

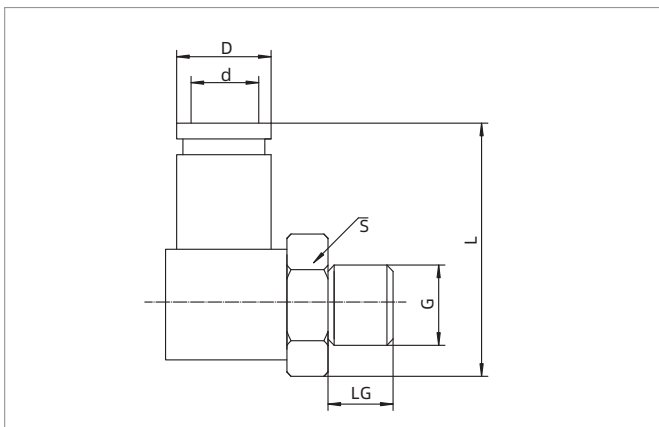
Universal One-touch Fitting

Dimensions(mm)



PJP-I-A8-□

Model/Size	d	D	L	LG	G	S
PJP-I-A4-M5M	4	9	16	5	M5×0.8	9
PJP-I-A4-G1M	4	9	12	7	G1/8	10
PJP-I-A6-G1M	6	12	17	7	G1/8	12
PJP-I-A8-G1M	8	14	22	7	G1/8	14
PJP-I-A6-G2M	6	12	13	9	G1/4	14
PJP-I-A8-G2M	8	14	20	7	G1/4	14
PJP-I-A10-G2M	10	16	24	9	G1/4	16
PJP-I-A12-G2M	12	18	21	9	G1/4	19
PJP-I-A8-G3M	8	14	13	10	G3/8	17
PJP-I-A10-G3M	10	16	20	10	G3/8	17
PJP-I-A12-G3M	12	18	20	10	G3/8	19
PJP-I-A14-G3M	14	20	20	10	G3/8	21
PJP-I-A10-G4M	10	16	13	12	G1/2	21
PJP-I-A12-G4M	12	18	20	12	G1/2	21
PJP-I-A14-G4M	14	20	20	12	G1/2	21



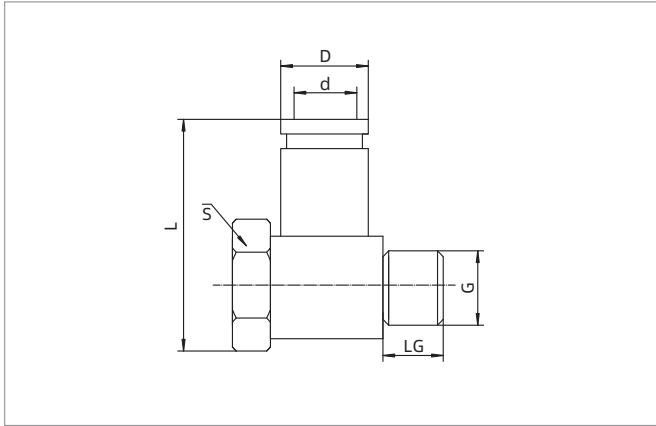
PJP-L-A8-□

Model/Size	d	D	L	LG	G	S
PJP-L-A4-M5M	4	9	24	5	M5×0.8	10
PJP-L-A4-G1M	4	9	24	7	G1/8	10
PJP-L-A6-G1M	6	12	28.5	7	G1/8	10
PJP-L-A8-G1M	8	14	32	7	G1/8	12
PJP-L-A4-G2M	4	9	26	9	G1/4	14
PJP-L-A6-G2M	6	12	30.5	9	G1/4	14
PJP-L-A8-G2M	8	14	33	9	G1/4	14
PJP-L-A10-G2M	10	16	36	9	G1/4	14
PJP-L-A12-G2M	12	18	39	9	G1/4	16
PJP-L-A8-G3M	8	14	34.5	10	G3/8	17
PJP-L-A10-G3M	10	16	36.5	10	G3/8	17
PJP-L-A12-G3M	12	18	37.5	10	G3/8	17
PJP-L-A10-G4M	10	16	39.5	12	G1/2	21
PJP-L-A12-G4M	12	18	41.5	12	G1/2	21

PJP Series

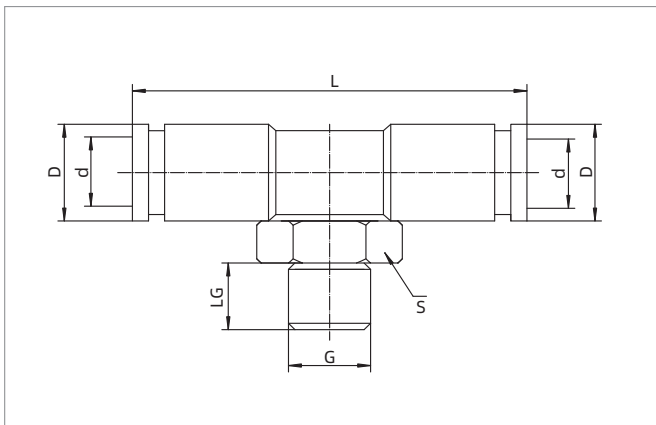
Universal One-touch Fitting

Dimensions(mm)



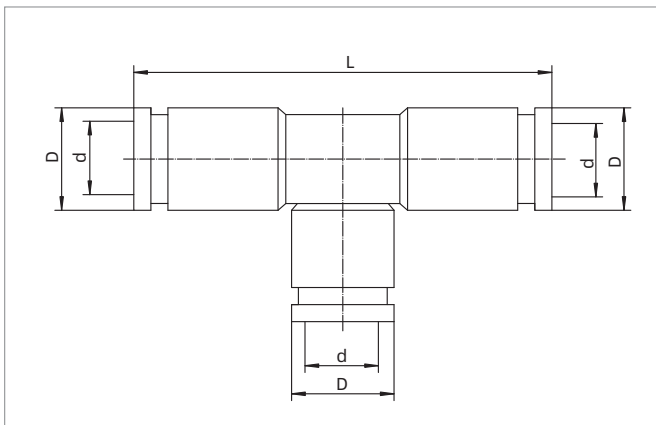
PJP-LT-A8-□

Model/Size	d	D	L	LG	G	S
PJP-LT-A4-M5M	4	9	24	5	M5×0.8	8
PJP-LT-A6-G1M	6	12	31	7	G1/8	12
PJP-LT-A8-G2M	8	14	34	9	G1/4	14



PJP-T-A8-□

Model/Size	d	D	L	LG	G	S
PJP-T-A4-M5M	4	9	37	5	M5×0.8	10
PJP-T-A4-G1M	4	9	37	5	G1/8	10
PJP-T-A6-G1M	6	12	48	7	G1/8	10
PJP-T-A8-G1M	8	14	53	7	G1/8	12
PJP-T-A6-G2M	6	12	48	9	G1/4	14
PJP-T-A8-G2M	8	14	53	9	G1/4	14
PJP-T-A10-G2M	10	16	59	9	G1/4	14
PJP-T-A12-G2M	12	18	53	9	G1/4	17



PJP-QT-□

Model/Size	d	D	L
PJP-QT-A4	4	9	38
PJP-QT-A6	6	12	46
PJP-QT-A8	8	14	50
PJP-QT-A10	10	16	60
PJP-QT-A12	12	18	60
PJP-QT-A14	14	20	62

PSPE

PSPL

PSPS

PSPT

PSPH

PSPD

PSPF

PJS

PJT

PJF

PJB

PJE

PJH

PJP

PJQ

PDA

PDR

PTS

PTK

PSW

PJQ Series

Universal Pagoda Fitting



UNIVERSAL

Features

- ◇ Made of all metal, suitable for harsh environment and long lifetime
- ◇ can be used with standard hose and steel hose on the market
- ◇ Various types to be selected



How to order

PJQ - B6 - M5M
 ① ② ③

① Series	② Hose diameter	③ Connection thread
PJQ	B6 - ϕ 6	M5M - M5×0.8 male thread
	B8 - ϕ 8	G1M - G1/8 male thread
	B10 - ϕ 10	G2M - G1/4 male thread
	B12 - ϕ 12	G3M - G3/8 male thread
	B19 - ϕ 19	G4M - G1/2 male thread
	B25 - ϕ 25	G6M - G3/4 male thread
	B32 - ϕ 32	G8M - G1 male thread

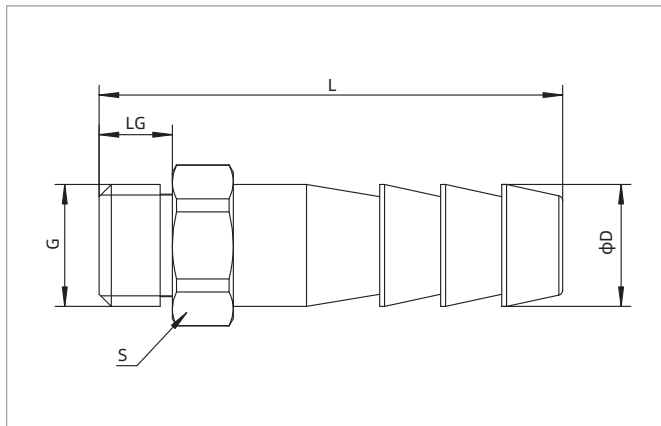
Selection

Model/Type		
PJQ-B6-M5M	PJQ-B12-G3M	PJQ-B25-G6M
PJQ-B8-G1M	PJQ-B19-G4M	PJQ-B25-G8M
PJQ-B10-G2M	PJQ-B19-G6M	PJQ-B32-G8M

PJQ Series

Universal Pagoda Fitting

Dimensions(mm)



PJQ-□-□

Model/Size	G	LG	L	D	S
PJQ-B6-M5M	M5×0.8	3	19	5	6
PJQ-B8-G1M	G1/8	8	34	6.5	14
PJQ-B10-G2M	G1/4	10	42	8	17
PJQ-B12-G3M	G3/8	10	43	9	19
PJQ-B19-G4M	G1/2	10	58	19	24
PJQ-B19-G6M	G3/4	12	60	19	32
PJQ-B25-G6M	G3/4	12	60	25	32
PJQ-B25-G8M	G1	15	63	25	36
PJQ-B32-G8M	G1	15	63	32	36

Mounting Parts

PSPE

PSPL

PSPS

PSPT

PSPH

PSPD

PSPF

PJS

PJT

PJF

PJB

PJE

PJH

PJP

PJQ

PDA

PDR

PTS

PTK

PSW

PDA Series

Universal Block Plug



UNIVERSAL

Features

- ◇ Copper alloy body, suitable for harsh environment, long lifetime
- ◇ Suitable for various working conditions in vacuum industry
- ◇ Various types to be selected



How to order

PDA - I - M5M
① ② ③

① Series	② Sealing specification	③ Connection thread
PDA	I - Countersunk head sealing L - Horizontal sealing	M5M - M5×0.8 male thread G1M - G1/8 male thread G2M - G1/4 male thread G3M - G3/8 male thread G4M - G1/2 male thread

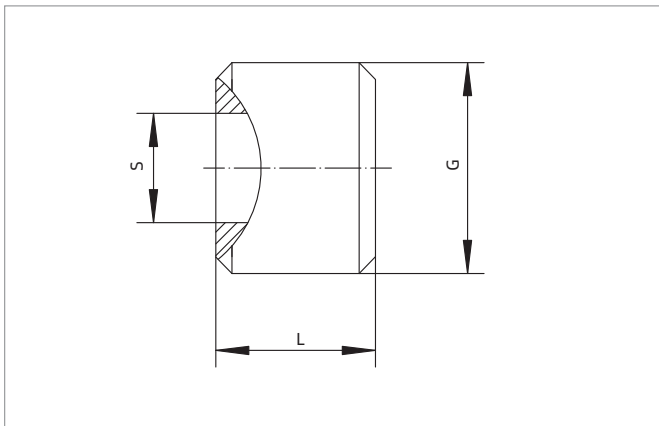
Selection

Model/Type Countersunk head sealing	Horizontal sealing
PDA-I-M5M	PDA-L-M5M
PDA-I-G1M	PDA-L-G1M
PDA-I-G2M	PDA-L-G2M
PDA-I-G3M	PDA-L-G3M
PDA-I-G4M	PDA-L-G4M

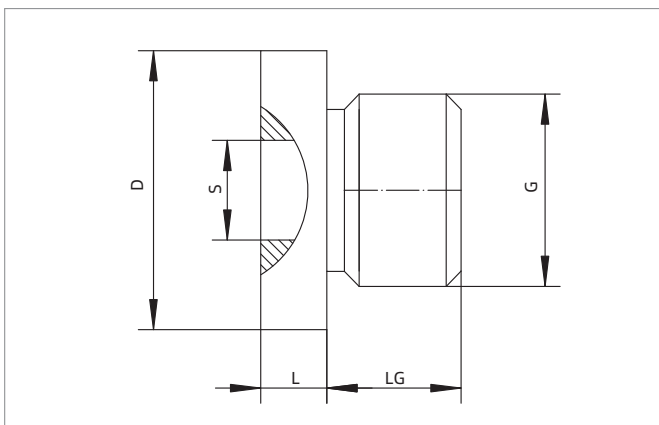
PDA Series

Universal Block Plug

Dimensions(mm)



PDA-I-□



PDA-L-□

Model/Size	G	L	S
PDA-I-M5M	M5×0.8	5	2.5
PDA-I-G1M	G1/8	6	4
PDA-I-G2M	G1/4	9	6
PDA-I-G3M	G3/8	10	8
PDA-I-G4M	G1/2	12	10

Model/Size	D	L	LG	G	S
PDA-L-M5M	8	2	3.9	M5×0.8	2.5
PDA-L-G1M	14	3.5	5.5	G1/8	4
PDA-L-G2M	18	4.5	7.5	G1/4	6
PDA-L-G3M	22	4.5	7.5	G3/8	8
PDA-L-G4M	27	5	14	G1/2	10

◇ Note: To prevent leakage, the block plug needs to be glued when connecting to the thread

PSPE

PSPL

PSPS

PSPT

PSPH

PSPD

PSPF

PJS

PJT

PJF

PJB

PJE

PJH

PJP

PJQ

PDA

PDR

PTS

PTK

PSW

PDR Series

Positive Pressure/Vacuum Shunt



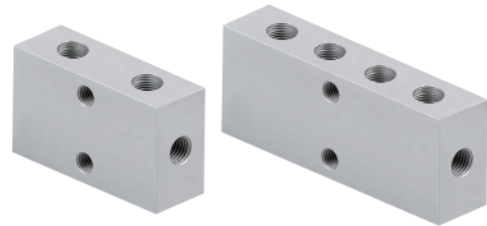
UNIVERSAL

Features

- ◇ One vacuum generator can be connected to multiple suction cups through the shunt
- ◇ The compressed air is supplied to multiple vacuum generators through the shunt

Advantages

- ◇ Large diameter inlet and outlet are optional
- ◇ Low flow resistance
- ◇ Solution of hose diversion



How to order

PDR - G2F - 5 - G1F
 ① ② ③ ④

① series	② Connection thread	③ Branching port quantity	④ Branching port connection thread
PDR	G2F - G1/4 female	5-5 branching ports	G1F - G1/8 female
	G3F - G3/8 female	9-9 branching ports	G2F - G1/4 female

Selection

	5 branching ports	9 branching ports
Main port G1/4	PDR-G2F-5-G1F	PDR-G2F-9-G1F
Main port G3/8	PDR-G3F-5-G2F	PDR-G3F-9-G2F

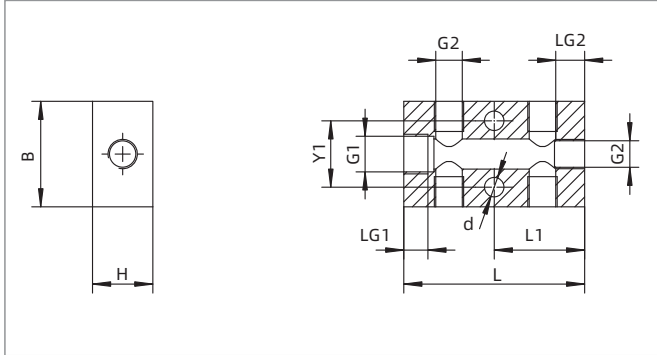
Selection

Model	Branching port connection thread	weight(g)
PDR-G2F-5-G1F	5 x G1/8 female	90
PDR-G3F-5-G2F	5 x G1/4 female	110
PDR-G2F-9-G1F	9 x G1/8 female	120
PDR-G3F-9-G2F	9 x G1/4 female	240

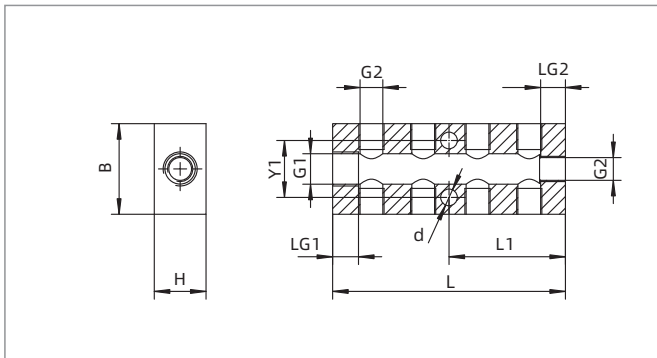
PDR Series

Positive Pressure/Vacuum Shunt

Dimensions(mm)



5 branching ports



9 branching ports

Model/Size	B	d	G1	G2	H	L	L1	LG1	LG2	Y1
PDR-G2F-5-G1F	35	6.5	G1/4	G1/8	20	60	30	10	9	22
PDR-G3F-5-G2F	40	6.5	G3/8	G1/4	25	72	36	13	11	27

Model/Size	B	d	G1	G2	H	L	L1	LG1	LG2	Y1
PDR-G2F-9-G1F	35	6.5	G1/4	G1/8	20	90	45	13	9	22
PDR-G3F-9-G2F	40	6.5	G3/8	G1/4	25	116	58	13	11	27

Mounting Parts

- PSPE
- PSPL
- PSPS
- PSPT
- PSPH
- PSPD
- PSPF
- PJS
- PJT
- PJF
- PJB
- PJE
- PJH
- PJP
- PJQ
- PDA
- PDR**
- PTS
- PTK
- PSW

PTS Series

PVC Transparent Stainless Steel Hose



UNIVERSAL

Features

- ◇ The spiral high elastic steel wire is implanted into the hose wall, which makes the product has high axial strength. The inner and outer walls of the product are smooth and can withstand high pressure and vacuum compression. The product has good chemical resistance, acid resistance and alkali resistance



Applications

- ◇ Usually used as suction and delivery hoses, such as solid powder, debris, particles, gas, liquid and so on

How to order

PTS - D19 - 50
① ② ③

① Series	② Specification	③ length
PTS	D19, D25, D32, D45, D50, D60, D75	20, 40, 50m

Technical parameters

Model	Operating pressure range bar	Inner diameter mm	Outer diameter mm	Bending radius(Hose center line) mm	Weight kg/m	MPQ m
PTS-D19-50	0.2~7.0	19	25	100	0.32	50
PTS-D25-50	0.2~7.0	25	32	128	0.50	50
PTS-D32-40	0.2~7.0	32	41	164	0.65	40
PTS-D45-40	0.2~7.0	45	55	220	1.1	40
PTS-D50-40	0.2~7.0	50	60	256	1.24	40
PTS-D60-20	0.2~7.0	60	72	288	1.7	20
PTS-D75-20	0.2~7.0	75	89	356	2.15	20

PTK Series

Stainless Steel Hose Clamp



UNIVERSAL

Features

- ◇ It is made of high quality stainless steel with through-hole technology. It has the advantages of firm and tight locking, large adjustment range, good torsion resistance and wear resistance

Applications

- ◇ Suitable for all kinds of soft and hard tubes connection and fastening with the advantages of locking firmly, beautiful and durable installation



How to order

PTK - 18-32

① ②

① Series	② Specification
PTK	18-32, 21-38, 21-44, 27-51, 33-57, 40-64, 44-67, 46-70, 52-76

Technical parameters

Model	Width(mm)	Thickness(mm)	Applicable tube dia.(OD) mm	MOQ(pcs)
PTK-18-32	12	0.68	18~32	100
PTK-21-38	12	0.68	21~38	100
PTK-21-44	12	0.68	21~44	100
PTK-27-51	12	0.68	27~51	100
PTK-33-57	12	0.68	33~57	100
PTK-40-64	12	0.68	40~64	100
PTK-44-67	12	0.68	44~67	100
PTK-46-70	12	0.68	46~70	100
PTK-52-76	12	0.68	52~76	100

PSPE

PSPL

PSPS

PSPT

PSPH

PSPD

PSPF

PJS

PJT

PJF

PJB

PJE

PJH

PJP

PJQ

PDA

PDR

PTS

PTK

PSW

PSW Series

Protection Cover of Suction Cups



GLASS



METAL SHEET

Features

- ◇ Nonwoven, light and soft
- ◇ Elastic straps for closure
- ◇ Full range of size

Applications

- ◇ Suitable for handling vulnerable workpieces with smooth and flat surfaces. Such as glass and thin metal plates

Advantages

- ◇ To extend life cycle of suction cups, and mark free
- ◇ Easy to use and change
- ◇ Suitable for flat suction cups $\Phi 150\sim 400\text{mm}$



How to order

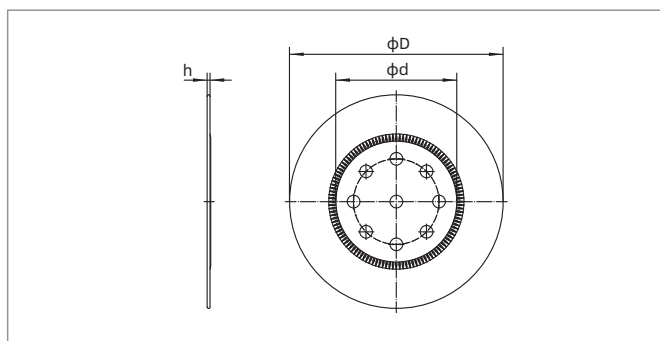
PSW - 150

①

②

① Series	② Specification	
PSW	150 - $\Phi 150\text{mm}$	300 - $\Phi 300\text{mm}$
	200 - $\Phi 200\text{mm}$	350 - $\Phi 350\text{mm}$
	250 - $\Phi 250\text{mm}$	400 - $\Phi 400\text{mm}$

Dimensions(mm)



Model/Size	D	d	h
PSW-150	150	85	1.5
PSW-200	190	100	1.5
PSW-250	210	105	1.5
PSW-300	255	150	1.5
PSW-350	265	165	1.5
PSW-400	290	180	1.5

◇ Note: The dimensions of D and d are measured in the undeveloped state

Mounting parts

Item	Model	Applicable vacuum filter
Protection cover of suction cups	PSW-150	SFU160 SFG150
	PSW-200	SFU210 SFG200
	PSW-250	SFU250 SFG250
	PSW-300	SFU300 SFG300
	PSW-350	SFU360 SFG350
	PSW-400	SFU400 SFG400

G Vacuum Accessories

Vacuum Accessories

Products overview

Vacuum Accessories

448 ZFA Series

Universal Vacuum Filter

- ◇ Nominal flow: 40-370NL/min
- ◇ Removal efficiency: 5µm



UNIVERSAL



457 ZFP Series

Large-Flow Vacuum Filter

- ◇ Nominal flow: 32-300m³/h
- ◇ Removal efficiency: 10µm



UNIVERSAL



451 ZFE Series

Universal Vacuum Filter

- ◇ Nominal flow: 2-10NL/min
- ◇ Removal efficiency: 10µm



UNIVERSAL



459 ZVAB Series

Pneumatic Control Valve

- ◇ Pressure range: 1.5-8.0bar
- ◇ Control mode: Pneumatic control - NO NC



UNIVERSAL



453 ZFD Series

Mini Type Vacuum Filter

- ◇ Nominal flow: 27-49NL/min
- ◇ Removal efficiency: 10µm



UNIVERSAL



460 ZVAC Series

Pneumatic Control Valve

- ◇ Pressure range: 1.0-8.0bar
- ◇ Control mode: Pneumatic control - NO



UNIVERSAL



454 ZFB Series

Universal Vacuum Filter

- ◇ Nominal flow: 150-510NL/min
- ◇ Removal efficiency: 10µm



UNIVERSAL



461 ZVAA Series

Pneumatic Control Valve

- ◇ Pressure range: 3.5-7.0bar
- ◇ Control mode: Pneumatic control - NO



UNIVERSAL



456 ZFL Series

Inline Vacuum Filter

- ◇ Nominal flow: 25-220NL/min
- ◇ Removal efficiency: 20-25µm



UNIVERSAL



462 ZVEA Series

Electric Control Valve

- ◇ Pressure range: 3.5-7.0bar
- ◇ Control mode: Electric Control - NC



UNIVERSAL



Vacuum Accessories

Products overview

Vacuum Accessories

463 ZVR Series

Check Valve

- ◇ Max. blow-off flow: 80-790NL/min
- ◇ Connection thread: M5-G1/2



UNIVERSAL



470 ZVS Series

Fast Blow-off Valve

- ◇ Max. blow-off flow: 160NL/min
- ◇ Connection thread: G1/8 G1/4



UNIVERSAL



464 ZVRM Series

Check Valve

- ◇ Min. action flow: 2-16NL/min
- ◇ Connection thread: M5 G1/8



UNIVERSAL



471 ZPDT Series

High-precision Digital Pressure Switch

- ◇ Pressure range: -100.0~100.0kPa
- ◇ Output type: 1NPN+1Analog voltage output
1PNP+1Analog voltage output



UNIVERSAL



466 ZVCM Series

Non-return Valve

- ◇ Pressure range: -100~0kPa
- ◇ Connection thread: M5 G1/8



UNIVERSAL



475 ZPDE Series

High-precision Digital Pressure Switch

- ◇ Pressure range: -100.0~100.0kPa
- ◇ Output type: 1NPN output



UNIVERSAL



467 ZVD Series

Contact Inductive Valve

- ◇ Connection thread: G1/2 G1/4



UNIVERSAL



479 ZPMR Series

Mechanical Pressure Gauge

- ◇ Pressure range: P type 0-1MPa
- ◇ Pressure range: V type -100-0kPa



UNIVERSAL



468 ZVT Series

Throttle Valve

- ◇ Overflow port dia.: 0.25-2.0mm
- ◇ Connection thread: G1/8 G1/4



UNIVERSAL



480 ZSA Series

Silencer

- ◇ Connection thread: G1/8 G1/4 G3/8
G1/2 G3/4 G1"



UNIVERSAL



ZFA Series

Universal Vacuum Filter

AIRBEST



UNIVERSAL



Features

- ◇ Straight through design, one-touch fitting, with bracket, easy to mount
- ◇ Small size and light weight
- ◇ Filter elements could be replaced
- ◇ Suitable for vacuum and positive pressure systems with light or medium pollution level



How to order

ZFA 5 4 B
 ① ② ③ ④

① Series	② Filter area	③ Hose diameter	④ Bracket
ZFA	5 - Filter area 790mm ²	4 - φ4 hose	B - Default, with bracket
	7 - Filter area 1,280mm ²	6 - φ6 hose	
		8 - φ8 hose	
		10 - φ10 hose	
		12 - φ12 hose	

Selection

Model/Hose diameter 4 - φ4hose	6 - φ6hose	8 - φ8hose	10 - φ10hose	12 - φ12hose
ZFA54B	ZFA56B	-	-	-
-	ZFA76B	ZFA78B	ZFA710B	ZFA712B

Technical parameters

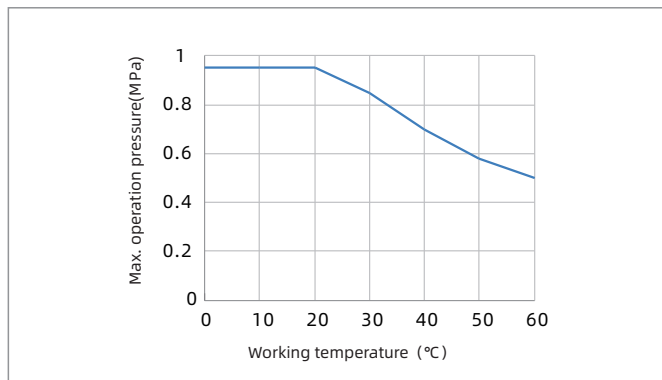
Model	Hose diameter mm	Fluid	Rated operating pressure range MPa	Max. pressure resistance MPa	Positive pressure flow NL/min	Vacuum flow NL/min	Removal efficiency μm	Operating temperature °C	Weight g
ZFA54B	φ4	Air,Nitrogen	-0.1~0.8	1.0	40	10	5	0~60	14
ZFA56B	φ6	Air,Nitrogen	-0.1~0.8	1.0	130	75	5	0~60	13
ZFA76B	φ6	Air,Nitrogen	-0.1~0.8	1.0	140	80	5	0~60	24
ZFA78B	φ8	Air,Nitrogen	-0.1~0.8	1.0	280	110	5	0~60	24
ZFA710B	φ10	Air,Nitrogen	-0.1~0.8	1.0	320	120	5	0~60	30
ZFA712B	φ12	Air,Nitrogen	-0.1~0.8	1.0	370	140	5	0~60	31

◇ Note: Positive pressure flow is tested at air supply pressure 0.1Mpa

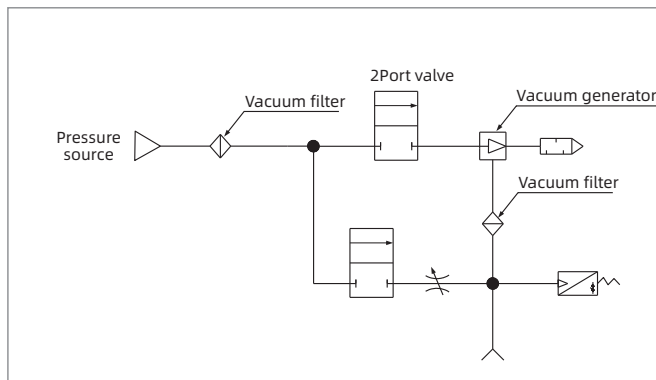
ZFA Series

Universal Vacuum Filter

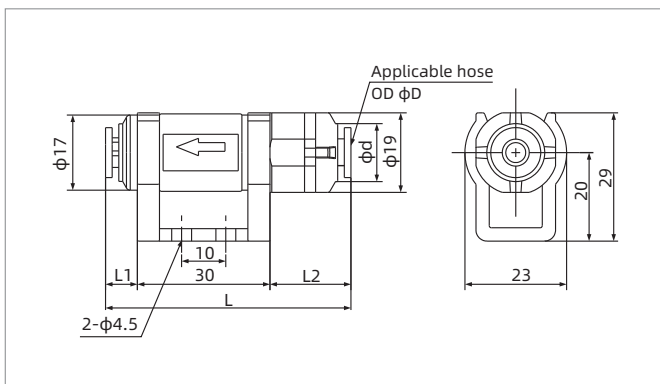
Max. operating pressure and temperature



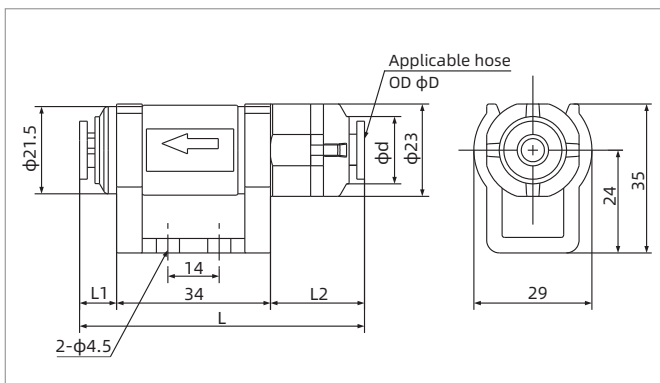
Application diagram



Dimensions (mm)



ZFA5□B



ZFA7□B

Model/Size	L	L1	D	d
ZFA54B	55.5	8	4	13
ZFA56B	55.5	8	6	13

Model/Size	L	L1	D	d
ZFA76B	67	10.5	6	15.5
ZFA78B	69.5	12	8	16
ZFA710B	78.5	17	10	19.5
ZFA712B	78.5	17	12	21

ZFA

ZFE

ZFD

ZFB

ZFL

ZFP

ZVAB

ZVAC

ZVAA

ZVEA

ZVR

ZVRM

ZVCM

ZVD

ZVT

ZVS

ZPDT

ZPDE

ZPMR

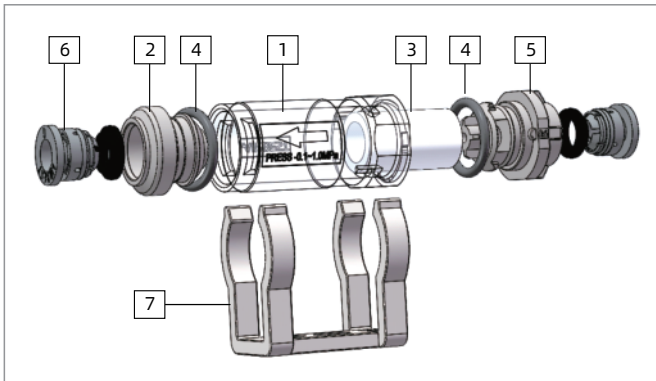
ZSA

ZFA Series

Universal Vacuum Filter



Structural diagram



NO.	Item	Material	Q'ty
1	Housing	PC	1
2	Rear cap	PBT	1
3	Filter element	PE	1
4	O-ring	NBR	2
5	Front cap	PBT	1
6	One-touch fitting	-	2
7	Bracket	PBT	1

Repair kits



Item	Model	Dimension	Applicable vacuum filter
Tool	ZFA5-SP	-	ZFA54, 56
	ZFA7-SP	-	ZFA76, 78, 710, 712
Filter element	ZFA5-FE	8×12×L20	ZFA54, 56
	ZFA7-FE	12×16×L25	ZFA76, 78, 710, 712

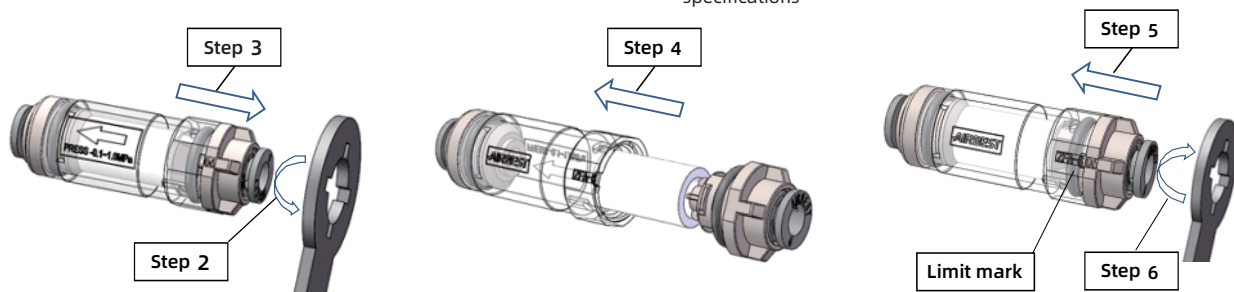
◇ Note: The minimum packing quantity of filter element is 10pcs/bag.

Filter element replacement

1. Stop supplying air and reduce the pressure in the vacuum filter to atmospheric pressure
2. Put tool on the front cap and turn it 90° anti-clockwise
3. Pull out the front cap, remove the filter element, and if there is dust inside the housing, clean it with an air gun (make sure that it does not damage the O-ring)
4. Install new filter element on the front cap and insert it into the housing.
5. Align the side without number of front cap at the limit mark, and push it until touching the housing
6. Rotate clockwise with the tool until it stops (align the number at the limit mark)

Cautions:

1. When connecting the hose, check the arrow indicating the flow direction. If reverse connecting, airtightness of the filter element cannot be ensured
2. In one air line, positive and negative pressure should not be used at the same time
3. Please make sure not to damage the O-ring during assembling and disassembling. And please confirm that there is no air leakage after the filter element is replaced
4. The vacuum filter and hose shall not withstand external force such as torsion, pull, load, vibration, impact, etc., and external force may cause danger at high positive pressure
5. There is anti-rotating structure at the limit mark. After replacing the filter element, please confirm the position of the limit mark
6. Please use vacuum filter at rated working pressure
7. Compressed air operation may cause danger. Therefore, filter replacement and other maintenance should be operated by a person who has sufficient knowledge and experience in air mechanics while complying with product specifications



ZFE Series

Small Vacuum Filter



UNIVERSAL

Features

- ◇ Straight through design, one-touch fitting, with bracket, easy to mount
- ◇ Small size and light weight
- ◇ Transparent housing, easy to indicate the degree of contamination
- ◇ Filter element could be replaced
- ◇ Suitable for vacuum system with light and medium pollution level



Vacuum Accessories

ZFA

ZFE

ZFD

ZFB

ZFL

ZFP

ZVAB

ZVAC

ZVAA

ZVEA

ZVR

ZVRM

ZVCM

ZVD

ZVT

ZVS

ZPDT

ZPDE

ZPMR

ZSA

How to order

ZFE - 04 B

① ② ③

① Series	② Hose diameter	③ Bracket
ZFE	02 - ϕ 2hose 03 - ϕ 3.2hose 04 - ϕ 4hose	B - Default, with bracket

Selection

Model/Hose diameter 02 - ϕ 2hose	03 - ϕ 3.2hose	04 - ϕ 4hose
ZFE-02B	ZFE-03B	ZFE-04B

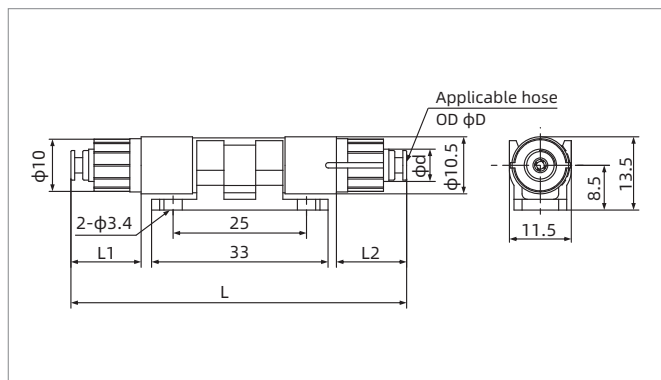
Technical parameters

Model	Applicable hose dia. mm	Fluid	Rated operating pressure range kPa	Max. pressure difference bar	Nominal flow NL/min	Removal efficiency μ m	Working temperature $^{\circ}$ C	Applicable hose material	Weight g
ZFE-02B	ϕ 2	Air	-100~0	1.5	2	10	0~60	Nylon,PU	6
ZFE-03B	ϕ 3.2	Air	-100~0	1.5	7	10	0~60	Nylon,PU	6
ZFE-04B	ϕ 4	Air	-100~0	1.5	10	10	0~60	Nylon,PU	6

ZFE Series

Small Vacuum Filter

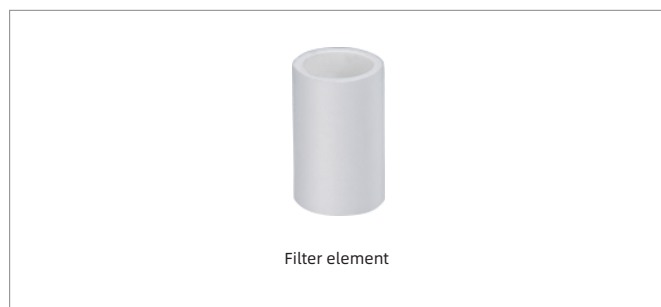
Dimensions (mm)



Model/Size	L	L1	L2	D	d
ZFE-02B	59.5	13	13	2	6
ZFE-03B	59.5	11.5	11.5	3.2	-
ZFE-04B	59.5	12.8	12.8	4	-

ZFE-□B

Repair kits



Item	Model	Size	Applicable vacuum filter
Filter element	ZFE-FE	6×4×L25.3	ZFE-02、-03、-04

◇ Note: The minimum packing quantity of filter element is 10pcs/bag

ZFD Series

Mini Type Vacuum Filter



UNIVERSAL

Features

- ◇ Filter dust and other particles from the vacuum port
- ◇ Transparent housing, easy to check the degree of contamination
- ◇ Directly connect to vacuum port of vacuum generator, eg. AZR series
- ◇ Pipe type design, connect to hose directly
- ◇ Compact structure and small size, light weight, economy and environmental protection



How to order

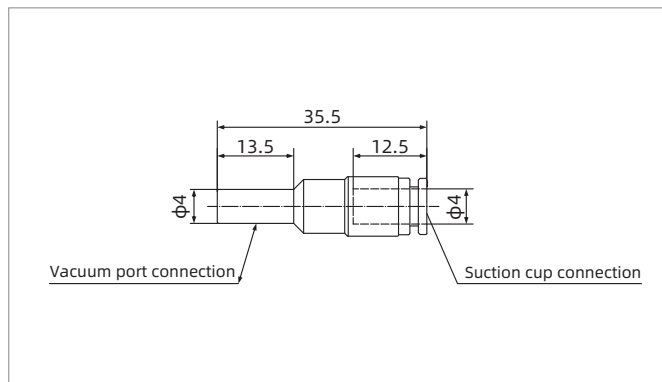
ZFD 06
① ②

① Series	② Connection specification
ZFD	04 - ϕ 4hose 06 - ϕ 6hose

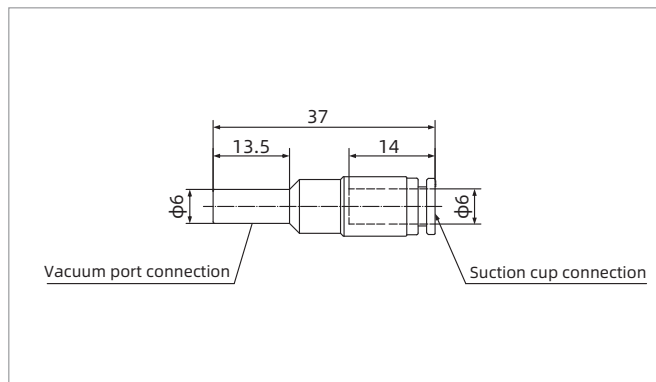
Technical parameters

Model	Rated operating pressure range kPa	Material	Nominal flow NL/min	Removal efficiency μ m	Working temperature $^{\circ}$ C	Weight g
ZFD04	-100~0	PP、PE	27	10	0~60	1.5
ZFD06	-100~0	PP、PE	49	10	0~60	2.5

Dimensions (mm)



ZFD04



ZFD06

Vacuum Accessories

ZFA

ZFE

ZFD

ZFB

ZFL

ZFP

ZVAB

ZVAC

ZVAA

ZVEA

ZVR

ZVRM

ZVCM

ZVD

ZVT

ZVS

ZPDT

ZPDE

ZPMR

ZSA

ZFB Series

Universal Vacuum Filter



UNIVERSAL

Features

- ◇ Filter dust and other particles from the vacuum port
- ◇ Transparent housing, easy to check the degree of contamination
- ◇ Filter elements could be replaced
- ◇ Different nominal flow for option
- ◇ Suitable for vacuum system with light and medium pollution level
- ◇ Could be used for as prefilter, it can effectively filter dust with different degrees



How to order

ZFB 15 B

① ② ③

① Series	② Connection thread	③ Bracket
ZFB	10 - G3/8 female thread 15 - G1/2 female thread 20 - G3/4 female thread 25 - G1" female thread 40 - G1"1/2 female thread	B - Default, with bracket

Selection

Model/Connection thread				
10 - G3/8	15 - G1/2	20 - G3/4	25 - G1"	40 - G1"1/2
ZFB10B	ZFB15B	ZFB20B	ZFB25B	ZFB40B

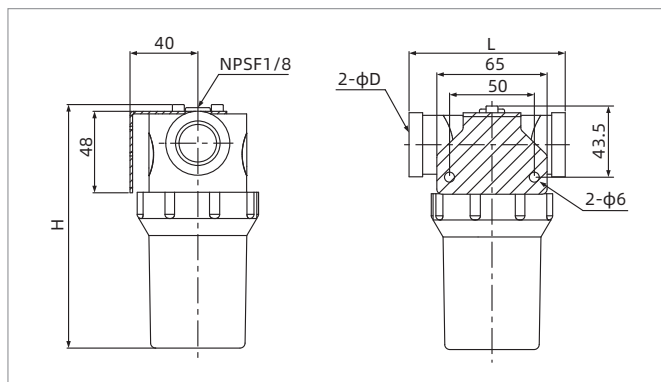
Technical parameters

Model	Rated operating pressure range kPa	Material	Nominal flow NL/min	Internal volume cm ³	Filter area m ²	Removal efficiency μm	Working temperature °C	Weight g
ZFB10B	-100~0	PA, PC, PE	150	45	0.003	10	-20~80	70
ZFB15B	-100~0	PA, PC, PE	900	195	0.010	10	-20~80	168
ZFB20B	-100~0	PA, PC, PE	900	205	0.010	10	-20~80	170
ZFB25B	-100~0	PA, PC, PE	2,520	495	0.019	10	-20~80	424
ZFB40B	-100~0	PA, PC, PE	5,100	675	0.023	10	-20~80	550

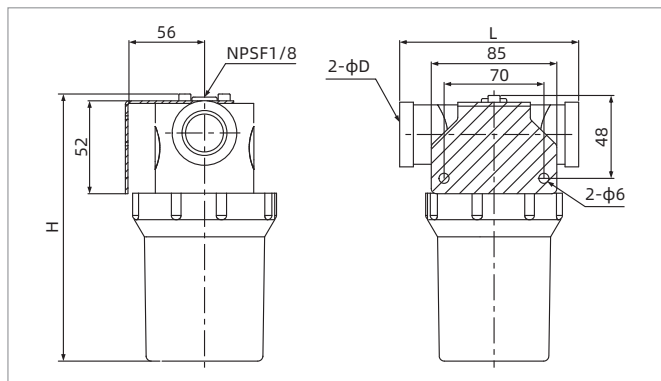
ZFB Series

Universal Vacuum Filter

Dimensions (mm)



ZFB10(15-20)B



ZFB25B ZFB40B

Model/Size	H	L	D
ZFB10B	74.5	76.5	2-G3/8
ZFB15B	134.5	91.5	2-G1/2
ZFB20B	143.5	92	2-G3/4

Model/Size	H	L	D
ZFB25B	169.5	127	2-G1"
ZFB40B	212.5	127	2-G1"1/2

Repair kits



Item	Model	Size	Applicable vacuum filter
Filter element	ZFB10-FE	15×26×L35	ZFB10
	ZFB20-FE	27.5×39×L90	ZFB15、20
	ZFB25-FE	45×57×L104	ZFB25
	ZFB40-FE	45×57×L136	ZFB40

◇ Note: The minimum packing quantity of filter element is 10pcs/bag

ZFA

ZFE

ZFD

ZFB

ZFL

ZFP

ZVAB

ZVAC

ZVAA

ZVEA

ZVR

ZVRM

ZVCM

ZVD

ZVT

ZVS

ZPDT

ZPDE

ZPMR

ZSA

ZFL Series

Inline Vacuum Filter



UNIVERSAL

Features

- ◇ Filter dust and other small particles from the vacuum port
- ◇ Transparent housing, easy to indicate degree of contamination
- ◇ It can be connected directly to the vacuum port of the vacuum generator, such as ABM and ABX, etc.
- ◇ Compact structure and small size, light weight, economic and environmental protective



How to order

ZFL 06

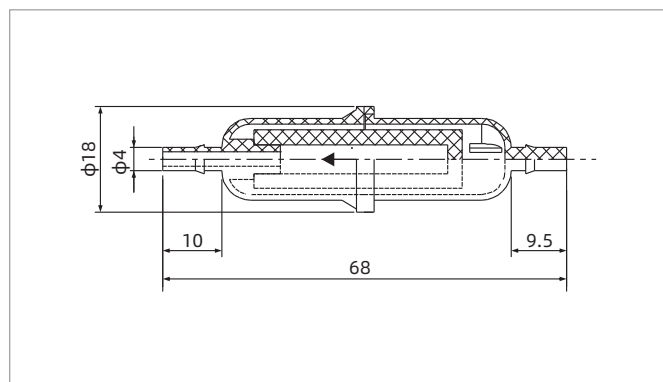
① ②

① Series	② Port size
ZFL	06 - $\phi 6$ hose(Direct-insert type) 10 - G3/8 male thread

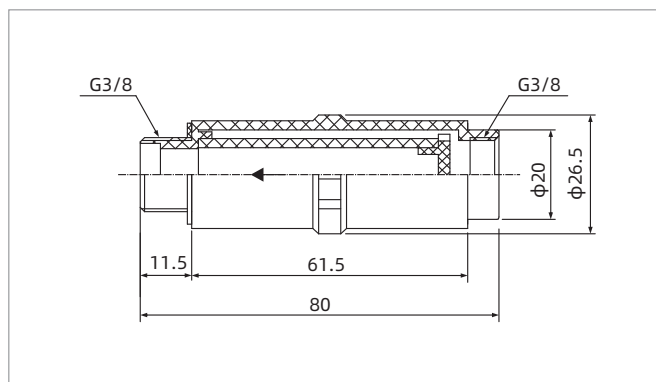
Technical parameters

Model	Rated operating pressure range kPa	Material	Nominal flow NL/min	Internal volume cm^3	Removal efficiency μm	Working temperature $^{\circ}\text{C}$	Weight g
ZFL06	-100~0	PP、PE	25	4	20~25	0~80	3.5
ZFL10	-100~0	PP、PE	220	20	20~25	0~80	13

Dimensions (mm)



ZFL06



ZFL10

ZFP Series

Large-flow Vacuum Filter



UNIVERSAL

Features

- ◇ It can effectively prevent solid particles or dust from being sucked into the vacuum generator or system, reduce wear, improve operation reliability, extend the lifetime of the vacuum generator, and also effectively protect components of vacuum system (such as vacuum valve, vacuum gauge, etc.)
- ◇ All-steel structure, sturdy and durable, suitable for heavy load requirements of industrial use, adopts seamless tensile metal housing with copper welding joint, which has the advantages of high air tightness, large space for dirt, easy cleaning, easy replacement of filter element, and quick inlet and outlet with threaded connection
- ◇ Various nominal flow rates for option



How to order

ZFP 30
① ②

① Series	② Nominal flow
ZFP	30 - 32m ³ /h
	40 - 42m ³ /h
	100 - 100m ³ /h
	120 - 120m ³ /h
	300 - 300m ³ /h

Selection

Model/Nominal flow 30 - 32m ³ /h	40 - 42m ³ /h	100 - 100m ³ /h	120 - 120m ³ /h	300 - 300m ³ /h
ZFP30	ZFP40	ZFP100	ZFP120	ZFP300

Technical parameters

Model	Rated operating pressure range kPa	Body material	Nominal flow m ³ /h	Internal volume cm ³	Filter area cm ²	Removal efficiency μm	Working temperature °C	Weight kg
ZFP30	-100~0	Steel	32	45	30	10	-15~90	1
ZFP40	-100~0	Steel	42	195	100	10	-15~90	1
ZFP100	-100~0	Steel	100	205	100	10	-15~90	1.4
ZFP120	-100~0	Steel	120	495	190	10	-15~90	2.3
ZFP300	-100~0	Steel	300	675	230	10	-15~90	6.9

ZFA

ZFE

ZFD

ZFB

ZFL

ZFP

ZVAB

ZVAC

ZVAA

ZVEA

ZVR

ZVRM

ZVCM

ZVD

ZVT

ZVS

ZPDT

ZPDE

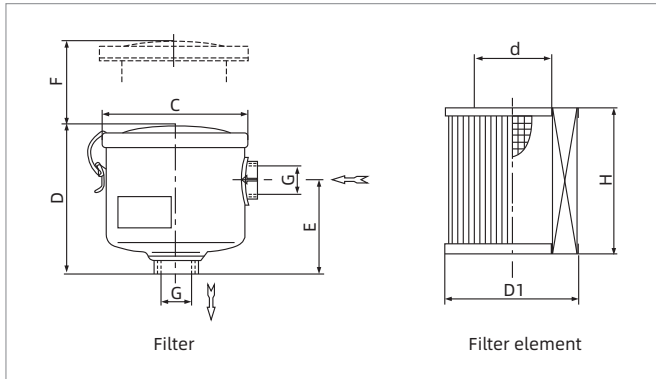
ZPMR

ZSA

ZFP Series

Large-flow Vacuum Filter

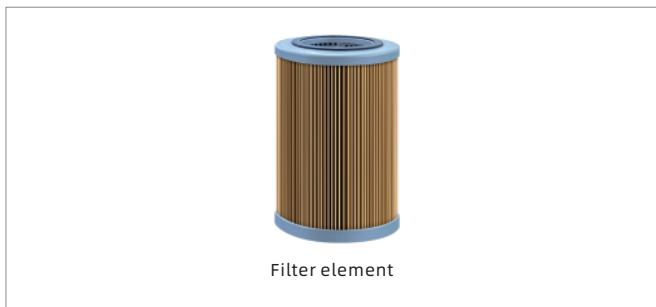
Dimensions (mm)



Model/Size	G	C	D	E	F	D1	d	D
ZFP30	G1/2	101	90	53	70	65	38	69
ZFP40	G3/4	101	90	53	70	65	38	69
ZFP100	G1"1/4	146	110	70	75	98	60	70
ZFP120	G1"1/4	185	170	115	130	128	64	125
ZFP300	G2"	222	258	125	140	150	88	222

ZFP

Repair kits



Item	Model	Applicable vacuum filter
Filter element	ZFP30-FE	ZFP30、40
	ZFP100-FE	ZFP100
	ZFP120-FE	ZFP120
	ZFP300-FE	ZFP300

ZVAB Series

Pneumatic Control Valve



UNIVERSAL

Features

- ◇ Converts vacuum signal into pneumatic signal
- ◇ Different vacuum ranges are set by adjusting the screws on the valve
- ◇ There are two different valves for option: normally open valve and normally closed valve



How to order

ZVAB - NC

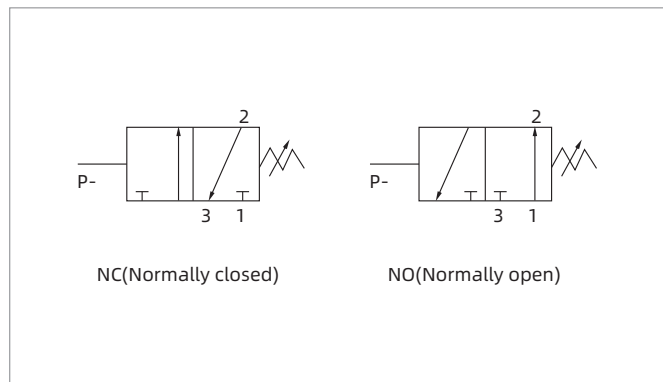
① ②

① Series	② Function	Connection thread
ZVAB	NC - Normally closed NO - Normally open	Default, G1/8 male thread

Technical parameters

Model	Output function	Air supply pressure bar	Signal range -kPa	Hysteresis -kPa	Working temperature °C	Weight g
ZVAB-NC	NC	1.5~8	15~95	12	-10~60	44
ZVAB-NO	NO	1.5~8	10~95	3	-10~60	44

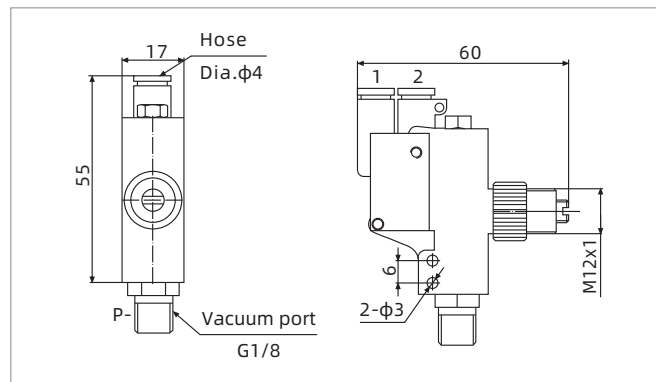
Symbol



ZVAB-NC

ZVAB-NO

Dimensions (mm)



ZVAB

Vacuum Accessories

ZFA

ZFE

ZFD

ZFB

ZFL

ZFP

ZVAB

ZVAC

ZVAA

ZVEA

ZVR

ZVRM

ZVCM

ZVD

ZVT

ZVS

ZPDT

ZPDE

ZPMR

ZSA

ZVAC Series

Pneumatic Control Valve



UNIVERSAL

Features

- ◇ Be used with ZVAB-NC
- ◇ ZVAB-NC provides the air control signal to realize the opening and closing of the control valve and save energy



How to order

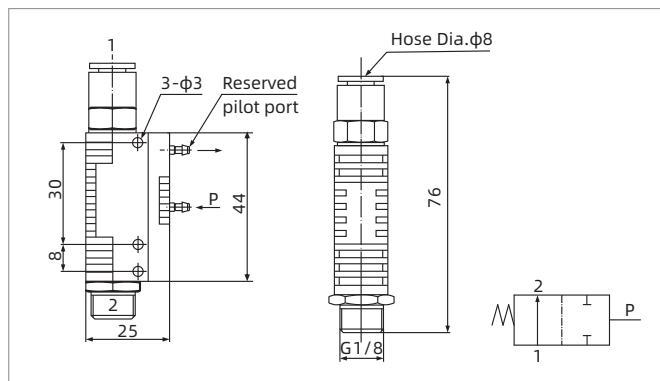
ZVAC - NO
① ②

① Series	② Function	Connection thread
ZVAC	NO - Normally open	Default, G1/8 male thread

Technical parameters

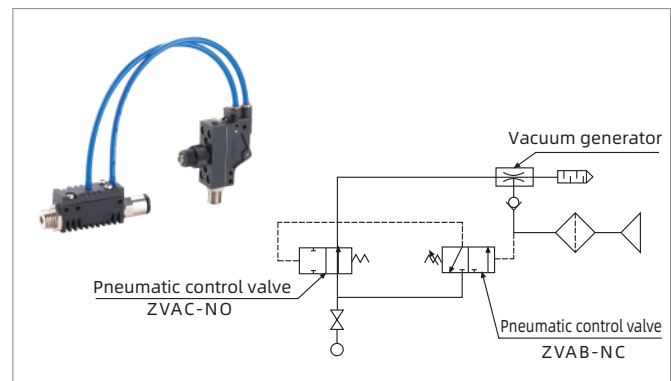
Model	Air supply pressure bar	Control mode	Action mode	Working temperature °C	Weight g
ZVAC-NO	1.0~8.0	Pneumatic control	NO	0~60	55

Dimensions (mm)



ZVAC-NO

Energy-saving system



ZVU-ES

ZVAA Series

Pneumatic Control Valve



UNIVERSAL

Features

- ◇ 2 position 2 port reversing valve (normally open) with G1/8 and G1/4 air supply ports returns the air signal through the vacuum switch to realize the air supply opening and closing to save energy
- ◇ The small valve can control high flow compressed air



How to order

ZVAA - G1F

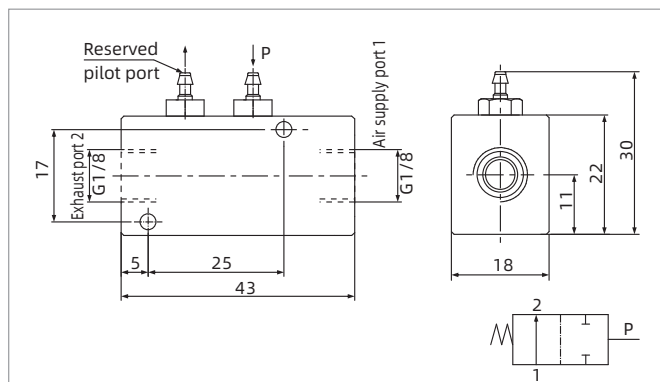
① ②

① Series	② Connection thread
ZVAA	G1F - G1/8 female thread G2F - G1/4 female thread

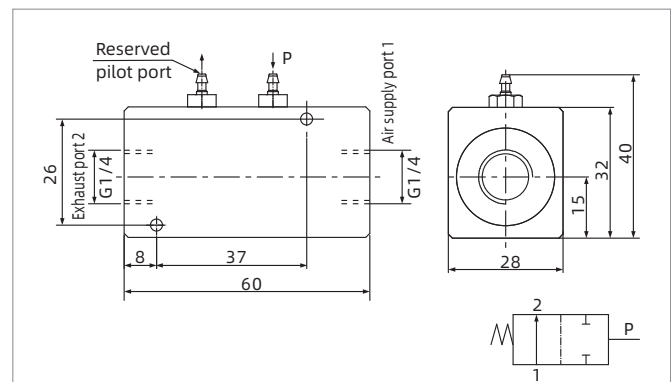
Technical parameters

Model	Air supply pressure bar	Valve body material	Output function	Working temperature °C	Weight g
ZVAA-G1F	3.5~7.0	Aluminum alloy	NO	0~60	45
ZVAA-G2F	3.5~7.0	Aluminum alloy	NO	0~60	125

Dimensions (mm)



ZVAA-G1F



ZVAA-G2F

ZFA

ZFE

ZFD

ZFB

ZFL

ZFP

ZVAB

ZVAC

ZVAA

ZVEA

ZVR

ZVRM

ZVCM

ZVD

ZVT

ZVS

ZPDT

ZPDE

ZPMR

ZSA

ZVEA Series

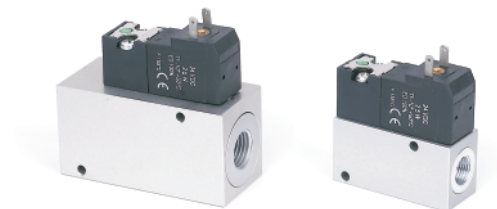
Electric Control Valve



UNIVERSAL

Features

- ◇ The small valve (normally closed) can realize remote control of high flow compressed air and can supply compressed air when the current is switched



How to order

ZVEA - G1F

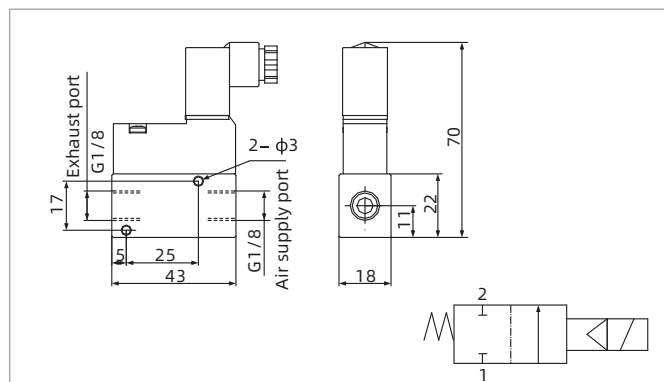
① ②

① Series	② Connection thread
ZVEA	G1F - G1/8 female thread G2F - G1/4 female thread

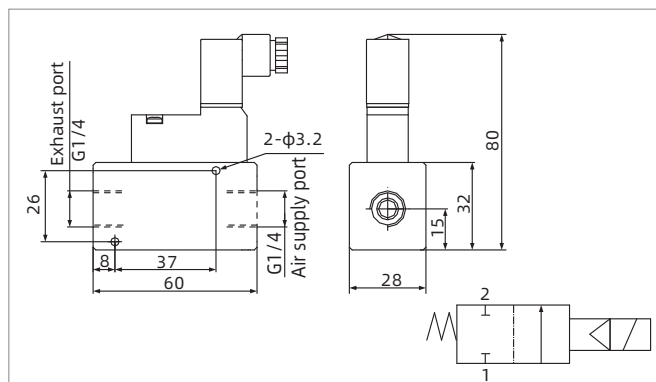
Technical parameters

Model	Air supply pressure bar	Valve body material	Output function	Operating voltage V	Consumed power W	Working temperature °C	Weight g
ZVEA-G1F	3.5~7.0	Aluminum alloy	NC	DC24	0.85	0~60	84
ZVEA-G2F	3.5~7.0	Aluminum alloy	NC	DC24	0.85	0~60	165

Dimensions (mm)



ZVEA-G1F



ZVEA-G2F

ZVR Series

Check Valve



UNIVERSAL

Features

- ◇ In the process of grabbing the workpiece, it will not affect the whole vacuum system once suction cups failed to adsorb the workpiece or the workpiece falls off suddenly after adsorption
- ◇ In the above case, the suction cups are isolated from vacuum system to make sure that the vacuum level and vacuum flow in the whole vacuum system are maintained. It is specific for repeatedly gripping workpieces with various sizes and shapes in a vacuum system



How to order

ZVR 05 - G1M

① ② ③

① Series	② Overflow port diameter	③ Suction cup connection thread
ZVR	04 - ϕ 0.4mm 05 - ϕ 0.5mm 06 - ϕ 0.6mm 10 - ϕ 1.0mm 12 - ϕ 1.2mm	M5M - M5×0.8 male thread G1M - G1/8 male thread G2M - G1/4 male thread G3M - G3/8 male thread G4M - G1/2 male thread
		M5F - M5×0.8 female thread G1F - G1/8 female thread G2F - G1/4 female thread G3F - G3/8 female thread G4F - G1/2 female thread

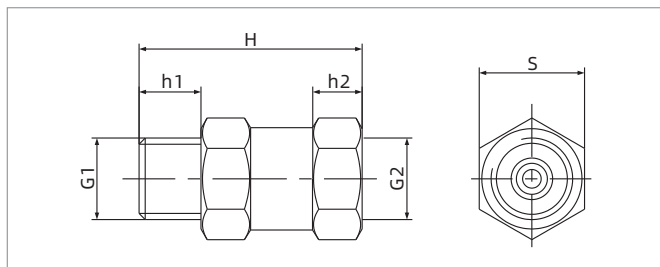
Selection

Model/ Connection thread M - Male thread	F - Female thread
ZVR04-M5M	ZVR04-M5F
ZVR05-G1M	ZVR05-G1F
ZVR06-G2M	ZVR06-G2F
ZVR10-G3M	ZVR10-G3F
ZVR12-G4M	ZVR12-G4F

Technical parameters

Model	Suction flow NL/min(-30kPa)	Suction flow NL/min(-60kPa)	Max. blow flow NL/min	Weight g
ZVR04-M5□	1.2	1.3	80	2
ZVR05-G1□	2.3	2.5	310	8.3
ZVR06-G2□	2.9	3.4	340	15.6
ZVR10-G3□	7.3	8	590	28.6
ZVR12-G4□	8.1	9	790	46

Dimensions (mm)



ZVR

Model/Size	H	G1	h1	G2	h2	S
ZVR04-M5□	20	M5×0.8	4.5	M5×0.8	5	8
ZVR05-G1□	28	G1/8	8	G1/8	6	14
ZVR06-G2□	36	G1/4	10	G1/4	8	17
ZVR10-G3□	39	G3/8	10	G3/8	8	22
ZVR12-G4□	41	G1/2	12	G1/2	9	27

ZFA

ZFE

ZFD

ZFB

ZFL

ZFP

ZVAB

ZVAC

ZVAA

ZVEA

ZVR

ZVRM

ZVCM

ZVD

ZVT

ZVS

ZPDT

ZPDE

ZPMR

ZSA

ZVRM Series

Check Valve



UNIVERSAL

Features

- ◇ Effectively avoid the influence to the whole vacuum system when the suction cup failed to adsorb the workpiece
- ◇ In the same vacuum system, workpieces of different sizes can be repeatedly grasped
- ◇ Spring type check valve helps to prevent workpiece from dropping in turnover movement



How to order

ZVRM 07 - M5M

① ② ③

① Series	② Overflow port diameter	③ Suction cup connection thread
ZVRM	03 - ϕ 0.3mm 05 - ϕ 0.5mm 07 - ϕ 0.7mm 10 - ϕ 1.0mm	M5M - M5x0.8 male thread G1M - G1/8 male thread

Selection

Model/Thread M5M	G1M
ZVRM03-M5M	-
ZVRM05-M5M	ZVRM05-G1M
ZVRM07-M5M	ZVRM07-G1M
-	ZVRM10-G1M

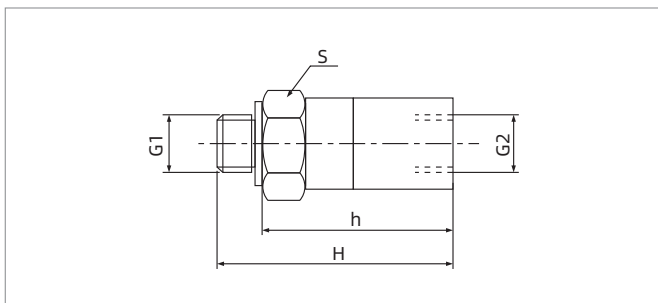
Technical parameters

Model	Overflow port diameter mm	Valve core works Effective cross-sectional area mm ²	Valve core doesn't work Effective cross-sectional area mm ²	Fluid	Max. pressure range kPa	Removal efficiency μ m	Minimum action flow NL/min	Weight g
ZVRM03-M5M	0.3	0.07	1.64	Air	-100~0	40	2	6
ZVRM05-M5M	0.5	0.19	1.76	Air	-100~0	40	4	6
ZVRM07-M5M	0.7	0.38	1.95	Air	-100~0	40	5.5	6
ZVRM05-G1M	0.5	0.19	1.76	Air	-100~0	40	5	22
ZVRM07-G1M	0.7	0.38	2.64	Air	-100~0	40	8	22
ZVRM10-G1M	1.0	0.78	3.04	Air	-100~0	40	16	22

ZVRM Series

Check Valve

Dimensions (mm)



ZVRM

Model/Size	H	h	G1	G2	S
ZVRM03-M5M	20	16	M5×0.8depth3.5	M5×0.8depth6	8
ZVRM05-M5M	20	16	M5×0.8depth3.5	M5×0.8depth6	8
ZVRM07-M5M	20	16	M5×0.8depth3.5	M5×0.8depth6	8
ZVRM05-G1M	28.5	23	G1/8depth5	G1/8depth8.5	13
ZVRM07-G1M	28.5	23	G1/8depth5	G1/8depth8.5	13
ZVRM10-G1M	28.5	23	G1/8depth5	G1/8depth8.5	13

ZFA

ZFE

ZFD

ZFB

ZFL

ZFP

ZVAB

ZVAC

ZVAA

ZVEA

ZVR

ZVRM

ZVCM

ZVD

ZVT

ZVS

ZPDT

ZPDE

ZPMR

ZSA

ZVCM Series

Non-Return Valve



UNIVERSAL

Features

- ◇ It can keep vacuum level of the system in case of power failure when vacuum line is closed
- ◇ Small size, can be used in narrow space



Selection

ZVCM - M5F

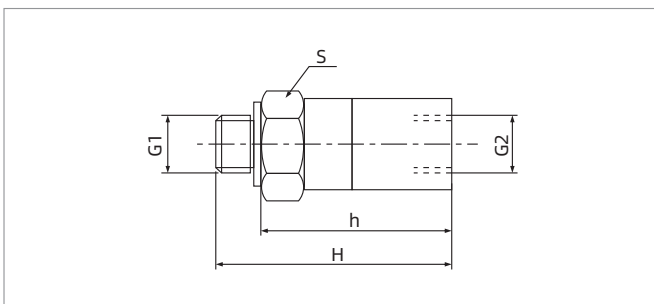
① ②

① Series	② Vacuum generator connection thread
ZVCM	M5F- M5×0.8 female thread G1F - G1/8 female thread

Technical parameters

Model	Valve core works Effective cross-sectional area mm ²	Fluid	Max. pressure range kPa	Removal efficiency μm	Weight g
ZVCM-M5F	2.0	Air	-100~0	40	6
ZVCM-G1F	5.0	Air	-100~0	40	22

Dimensions(mm)



ZVCM

Model/Size	H	h	G1	G2	S
ZVCM-M5F	20	16	M5×0.8	M5×0.8	8
ZVCM-G1F	28.5	23	G1/8	G1/8	13

ZVD Series

Touch Valve



UNIVERSAL

Features

- ◇ It is used to induct whether the suction cup touches the workpiece, the vacuum system cannot be established without touch



Vacuum Accessories

How to order

ZVD - G2M

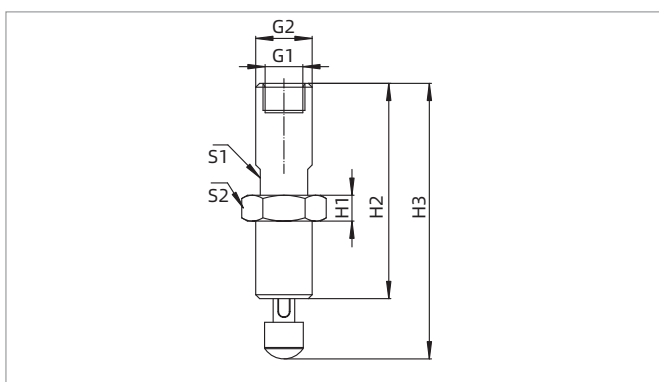
① ②

① Series	② Specification
ZVD	G2M - Mounting thread G1/4 G4M - Mounting thread G1/2

Selection

Model	Mounting thread	Starting elastic force	Weight g
ZVD-G2M	G1/4	5	41.5
ZVD-G4M	G1/2	6.6	96.5

Dimensions(mm)



Model/Size	G1	G2	S1	S2	H1	H2	H3
ZVD-G2M	G1/8	G1/4	11	17	6	50	64
ZVD-G4M	G3/8	G1/2	18	27	8	54.5	68.5

ZFA

ZFE

ZFD

ZFB

ZFL

ZFP

ZVAB

ZVAC

ZVAA

ZVEA

ZVR

ZVRM

ZVCM

ZVD

ZVT

ZVS

ZPDT

ZPDE

ZPMR

ZSA

ZVT Series

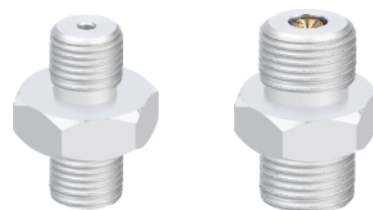
Throttle Valve



UNIVERSAL

Features

- ◇ Compact size, simple structure, suitable for vacuum handling system in narrow space
- ◇ For suction cup loop which does not cover the working surface, it can reduce vacuum leakage efficiently and ensure the stability of the system



How to order

ZVT 60 - G1M

① ② ③

① Series	② Overflow port diameter			③ Connection thread
ZVT	25 - ϕ 0.25mm	80 - ϕ 0.8mm	150 - ϕ 1.5mm	G1M - G1/8 male thread
	40 - ϕ 0.4mm	100 - ϕ 1.0mm	200 - ϕ 2.0mm	G2M - G1/4 male thread
	60 - ϕ 0.6mm	120 - ϕ 1.2mm		

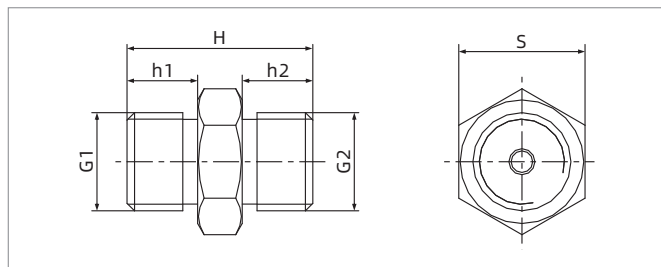
Selection

Model/Thread G1M	G2M
ZVT25-G1M	-
ZVT40-G1M	ZVT40-G2M
ZVT60-G1M	ZVT60-G2M
ZVT80-G1M	ZVT80-G2M
ZVT100-G1M	ZVT100-G2M
ZVT120-G1M	ZVT120-G2M
-	ZVT150-G2M
-	ZVT200-G2M

Technical parameters

Model	Vacuum flow NL/min (-30kPa)	Vacuum flow NL/min (-60kPa)	Weight g	
			G1M	G2M
ZVT25	0.2	0.3	6	-
ZVT40	1	1.3	6	8
ZVT60	3.1	3.2	6	8
ZVT80	5	5.2	6	8
ZVT100	7.7	8.5	6	8
ZVT120	12.5	12.8	6	8
ZVT150	22.2	23.5	-	8
ZVT200	34	36.5	-	8

Dimensions(mm)



ZVT

Model/Size	H	G1	h1	G2	h2	S
ZVT□-G1M	25	G1/8	9.5	G1/8	9.5	14
ZVT□-G2M	25	G1/4	9.5	G1/4	9.5	17

ZVS Series

Fast Blow-off Valve



UNIVERSAL

Features

- ◇ It is connected with the suction cup, can effectively seal the vacuum and break the vacuum under the condition of positive pressure input

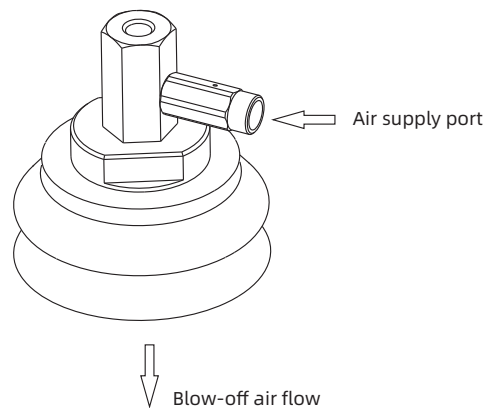
Advantages

- ◇ Low startig pressure with stable and fast blow-off even if there are multiple suction cups working at the same time
- ◇ Fast vacuum break as it is mounted directly on the suction cup



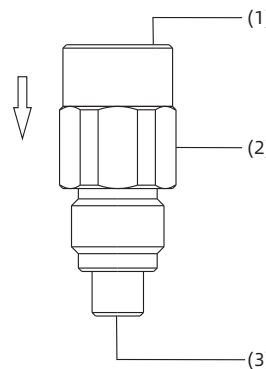
Application

- ◇ Fast blow-off to break vacuum
- ◇ The blow-off air flow can clean the suction cup as it is mounted directly on the suction cup



Structure

- ◇ (1) Air supply port
- ◇ (2) Main body
- ◇ (3) Exhaust port



ZFA

ZFE

ZFD

ZFB

ZFL

ZFP

ZVAB

ZVAC

ZVAA

ZVEA

ZVR

ZVRM

ZVCM

ZVD

ZVT

ZVS

ZPDT

ZPDE

ZPMR

ZSA

ZVS Series

Fast Blow-off Valve

How to order

ZVS - G1F

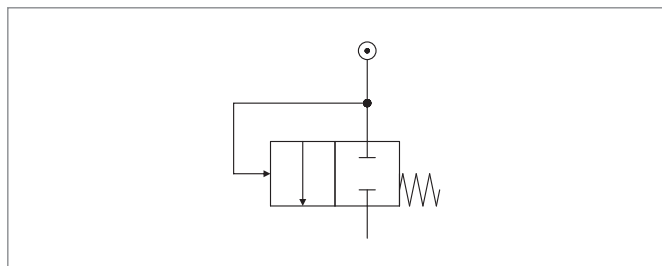
① ②

① Series	② Air supply port connection thread	Exhaust port connection thread
ZVS	G1F - G1/8 female thread G2F - G1/4 female thread	G1/8 male thread G1/4 male thread

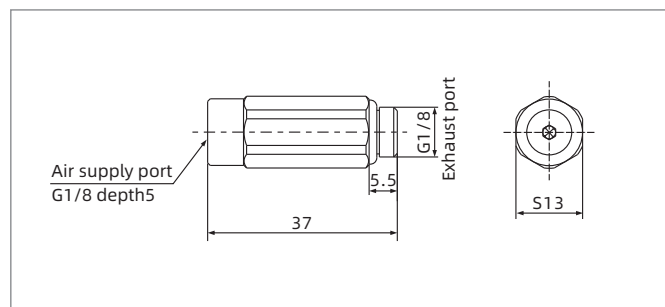
Technical parameters

Model	Air supply pressure range bar	Max. blow flow NL/min	Working temperature °C	Weight g	Recommended hose dia. mm
ZVS-G1F	3.0~7.0	90~160	-10~80	12.9	φ8
ZVS-G2F	3.0~7.0	90~160	-10~80	15.1	φ8

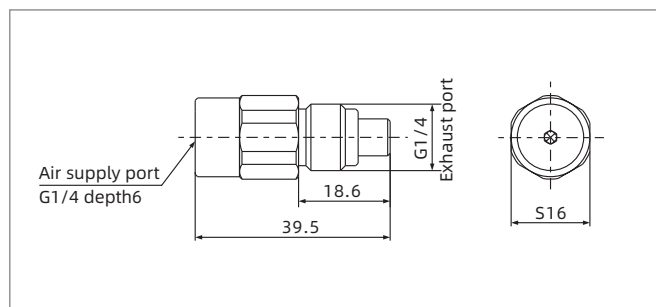
Pneumatic schematic diagram



Dimensions (mm)



ZVS-G1F



ZVS-G2F

ZPDT Series

High-precision Digital Pressure Switch



UNIVERSAL

Features

- ◇ Digital display electronic pressure switch, optional two-color display
- ◇ 4-digit seven-segment LED display
- ◇ Pressure units can be converted and displayed on the screen
- ◇ Parameter values can be displayed directly on the screen

Advantages

- ◇ Monitor the system action clearly and visually, could change the setting content and backlight display mode
- ◇ The pressure is displayed on the screen, easy to read
- ◇ Main and sub display can set parameter directly, setting steps could be reduced by 3/4
- ◇ Easy to operate with the clear display



Application

- ◇ Monitor the vacuum system, optimize the working cycle
- ◇ Adjust the system circuit, improve economic benefit of vacuum system
- ◇ Square shape is more suitable for installing panel
- ◇ Suitable for all automation handling industries

Structure

- ◇ Electronic vacuum switch, solid polycarbonate case
- ◇ Vacuum connection is Rc1/8 Male thread
- ◇ 2m connecting cable
- ◇ Optional mounting bracket and panel type mounting frame

How to order

ZPDT - C NV - R1M
 ① ② ③ ④

① Series	② Pressure range	③ Output specification	④ Connection thread
ZPDT	C - Compound P - Positive	NV - 1NPN+1 Analog(Voltage) output (1-5V) PV - 1PNP+1 Analog(Voltage) output(1-5V)	R1M - Rc1/8 male thread

Selection

Model Nil			
ZPDT-CNV-R1M	ZPDT-CPV-R1M	ZPDT-PNV-R1M	ZPDT-PPV-R1M

Vacuum Accessories

- ZFA
- ZFE
- ZFD
- ZFB
- ZFL
- ZFP
- ZVAB
- ZVAC
- ZVAA
- ZVEA
- ZVR
- ZVRM
- ZVCM
- ZVD
- ZVT
- ZVS
- ZPDT
- ZPDE
- ZPMR
- ZSA

ZPDT Series



High-precision Digital Pressure Switch

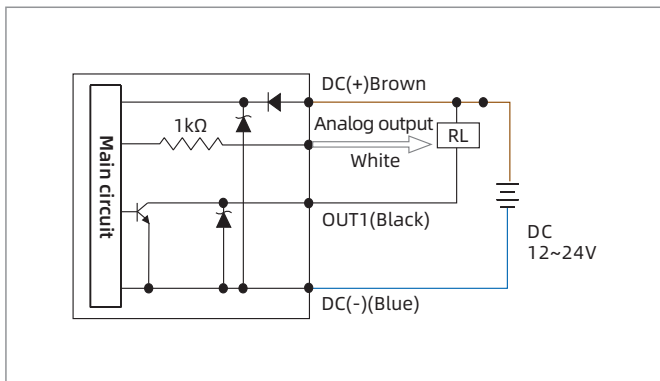
Technical parameters

Model	ZPDT-C (Compound)	ZPDT-P (Positive)
Rated pressure range	-100.0~100.0kPa	-0.100~1.000MPa
Setting pressure range	-103.0~103.0kPa	-0.103~1.030MPa
Withstand pressure	500kPa	1.5MPa
Fluid	Air, Non-corrosive gas/Non-flammable gas	Air, Non-corrosive gas/Non-flammable gas
Pressure unit	kPa	-
Set pressure resolution	MPa	0.001
	kgf/cm ²	0.01
	bar	0.01
	psi	0.1
	inHg	-
	mmHg	-
Power supply voltage	12 to 24V DC±10%, ripple(P-P)10% or less	
Current consumption	≤40mA (Without load)	
Switch output	Output type	Open collector (NPN or PNP)
	load current	Max.125mA
	Residual voltage	≤1.0V
Analog output	Response time	≤2.5ms (Chattering-proof function: 25ms,100ms,250ms, 500ms, 1000ms, 1500ms selectable)
	Output Voltage	1-5V ±2.5%F.S (within rated pressure range) 0.6-5V ±2.5%F.S (within rated pressure range)
	Output impedance	1kΩ
	Linearity	±1% F.S.
Display	Display	Three colors (Red/ Green/ Orange)display(sampling rate:5 times/sec,2 times/sec,1 time/sec for choice.)
	Indicator accuracy	±1%F.S.±1 digit (ambient temperature: 25±3°C)
	Repeatability	±0.3%F.S.±1 digit
	Switch ON indicator	Orange (1 indicator)OUT1
Environment	Enclosure	IP40
	Ambient temp.range	0~50°C
	Temperature characteristic	±3% F.S.of rated ambient temperature 25°C (at temp. range of 0~50°C)
	Storage temperature	Storage: -10-60°C (No condensation or freezing)
	Ambient humidity	Operation/ storage:35-85%HR (No condensation)
	Withstand voltage	1000VAC in 1-min (between case and lead wire)
	Insulation resistance	50MΩ min (500V DC) (between case and lead wire)
	Vibration	Total amplitude 1.5mm Or 10G, 10Hz~150Hz~10Hz for 1 minute, two hours each direction of X, Y and Z
	Shock	100m/s ² (10G) 3 times each in direction of X, Y and Z
	Port size	Rc1/8, M5
Lead wire	Oil-resistance cable (0.15mm ²)	
Weight	67g (with 2-meter lead wire)	

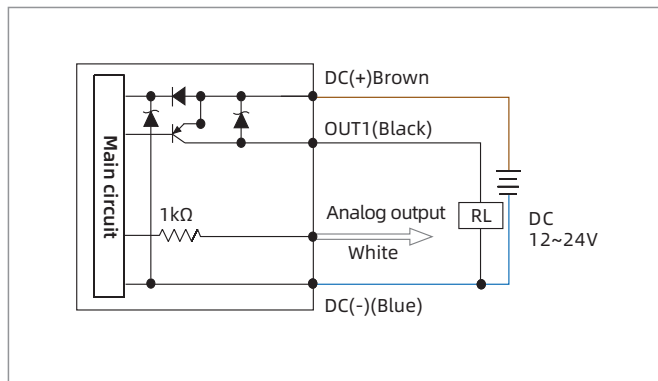
ZPDT Series

High-precision Digital Pressure Switch

Output circuit wiring diagrams

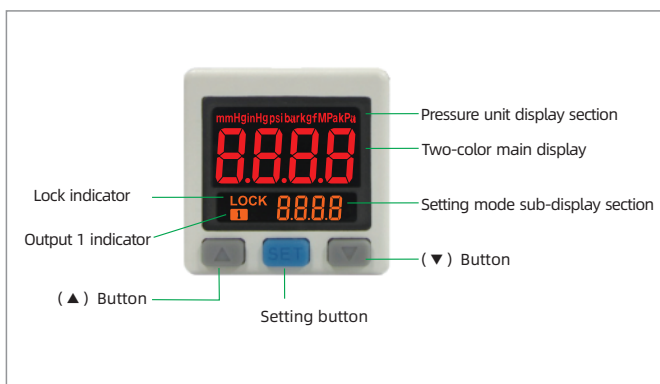


ZPDT-□NV-R1M 1NPN+Analog voltage output (1-5V)

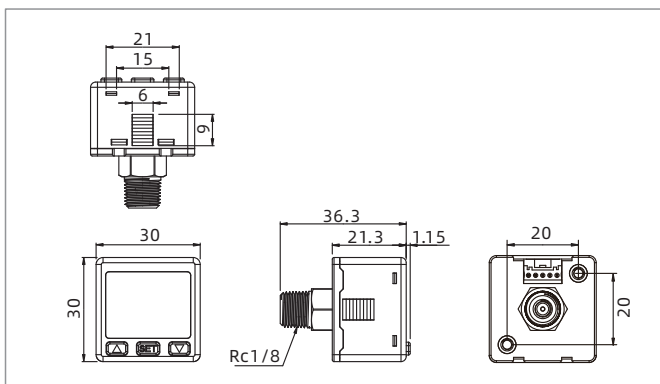


ZPDT-□PV-R1M 1PNP+Analog voltage output (1-5V)

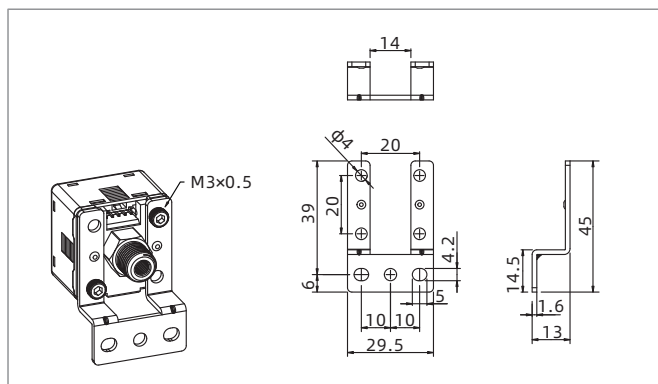
Panel instructions



Dimensions(mm)



ZPDT-□□-R1M



ZPDT-A-MB Mounting bracket A type

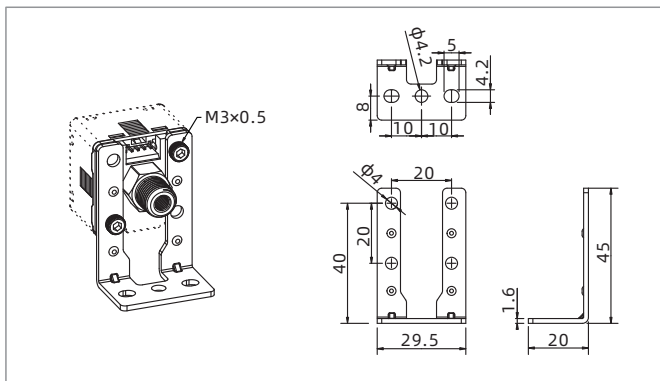
Vacuum Accessories

- ZFA
- ZFE
- ZFD
- ZFB
- ZFL
- ZFP
- ZVAB
- ZVAC
- ZVAA
- ZVEA
- ZVR
- ZVRM
- ZVCM
- ZVD
- ZVT
- ZVS
- ZPDT
- ZPDE
- ZPMR
- ZSA

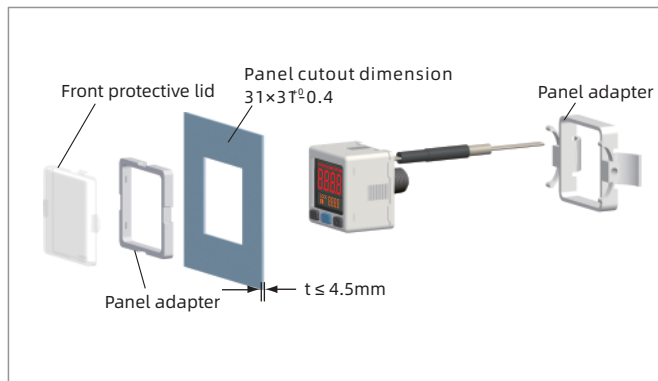
ZPDT Series

High-precision Digital Pressure Switch

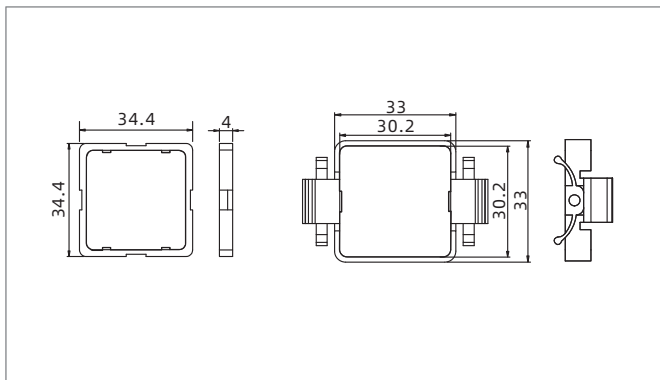
Dimensions (mm)



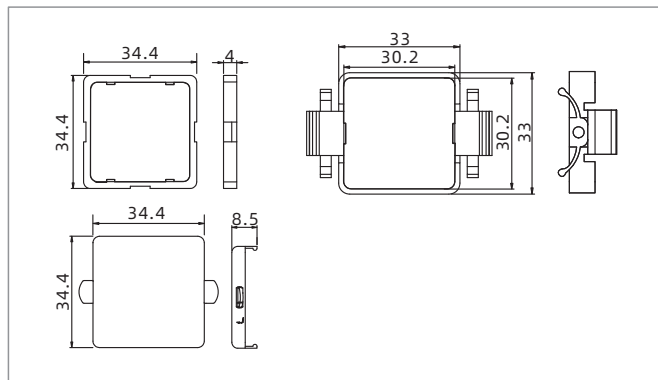
ZPDT-B-MB Mounting bracket B type



Panel type



ZPDT-PS Panel adapter



ZPDT-PC Front protective lid + panel adapter

Accessories

Item	Model
Mounting bracket A type	ZPDT-A-MB
Mounting bracket B type	ZPDT-B-MB
Panel adapter	ZPDT-PS
Front protective lid + panel adapter	ZPDT-PC

ZPDE Series

High-precision Digital Pressure Switch



UNIVERSAL

Features

- ◇ Digital display electronic pressure switch, optional two-color display
- ◇ 4-digit seven-segment LED display
- ◇ Pressure units can be converted and displayed on the screen
- ◇ Parameter values can be displayed directly on the screen

Advantages

- ◇ Monitor the system action clearly and visually, could change the setting content and backlight display mode
- ◇ The pressure is displayed on the screen, easy to read
- ◇ Easy to operate with the clear display



Application

- ◇ Monitor the vacuum system, optimize the working cycle
- ◇ Adjust the system circuit, improve economic benefit of vacuum system
- ◇ Square shape is more suitable for installing panel
- ◇ Suitable for all automation handling industries

Structure

- ◇ Electronic vacuum switch, solid polycarbonate case
- ◇ 2m connecting cable
- ◇ Optional mounting bracket and panel type mounting frame

How to order

ZPDE - C N - R1M
① ② ③ ④

① Series	② Pressure range	③ Output specification	④ Connection thread
ZPDE	C - Compound P - Positive	N - 1NPN output	R1M - Rc1/8 male thread

Selection

Model
ZPDE-CN-R1M ZPDE-PN-R1M

Vacuum Accessories

- ZFA
- ZFE
- ZFD
- ZFB
- ZFL
- ZFP
- ZVAB
- ZVAC
- ZVAA
- ZVEA
- ZVR
- ZVRM
- ZVCM
- ZVD
- ZVT
- ZVS
- ZPDT
- ZPDE
- ZPMR
- ZSA

ZPDE Series



High-precision Digital Pressure Switch

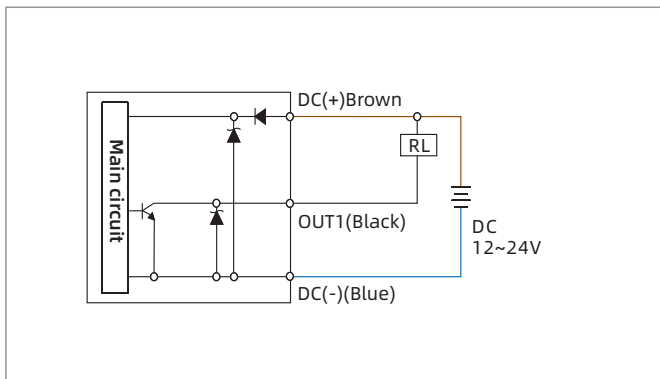
Technical parameters

Model		ZPDE-C (Compound)	ZPDE-P (Positive)
Rated pressure range		-100.0~100.0kPa	-0.100~1.000MPa
Setting pressure range		-103.0~103.0kPa	-0.103~1.030MPa
Withstand pressure		500kPa	1.5MPa
Fluid		Air, Non-corrosive gas/Non-flammable gas	Air, Non-corrosive gas/Non-flammable gas
Pressure unit	kPa	0.1	1
Set pressure resolution	MPa	-	-
	kgf/cm ²	0.001	0.01
	bar	0.001	0.01
	psi	0.01	0.1
	inHg	0.1	-
	mmHg	1	-
Power supply voltage		12to24V DC±10%,ripple(P-P)10% or less	
Current consumption		≤40mA (Without load)	
Switch output	Output type	Open collector (NPN)	
	Load current	Max.125mA	
	Residual voltage	≤1.0V	
Display	Response time	≤2.5ms(Chattering-proof function:25ms,100ms,250ms,500ms,1000ms,1500ms selectable)	
	Display	White (Sampling rate:0.2 time/sec,0.5 time/sec,1 time/sec for choice)	
	Indicator accuracy	±1%F.S.±1 digit (ambient temperature:25±3°C)	
	Repeatability	±0.3%F.S.±1 digit	
	Switch ON Indicator	White (1 indicator) OUT1	
Environment	Enclosure	IP40	
	Ambient temp. range	0~50°C	
	Temperature characteristic	±2% F.S.of rated ambient temperature 25°C (at temp. range of 0~50°C)	
	Storage temperature	Storage:-10-60°C (No condensation or freezing)	
	Ambient humidity	Operation/ storage:35-85%HR (No condensation)	
	Withstand voltage	1000V AC in 1-min (between case and lead wire)	
	Insulation resistance	50MΩ above (500V DC) (between case and lead wire)	
	Vibration	Total amplitude 1.5mm Or 10G,10Hz~150Hz~10Hz for 1 minute,two hours each direction of X,Y and Z	
	Shock	100m/s ² (10G)3 times each in direction of X,Y and Z	
Port size		Rc1/8, M5	
Lead wire		φ4 oil-resistance PVC cable- 3 core	
Weight		67g(with 2-meter lead wire)	

ZPDE Series

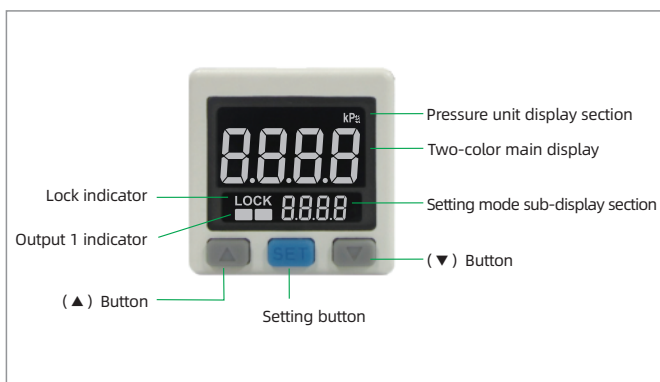
High-precision Digital Pressure Switch

Output circuit wiring diagrams

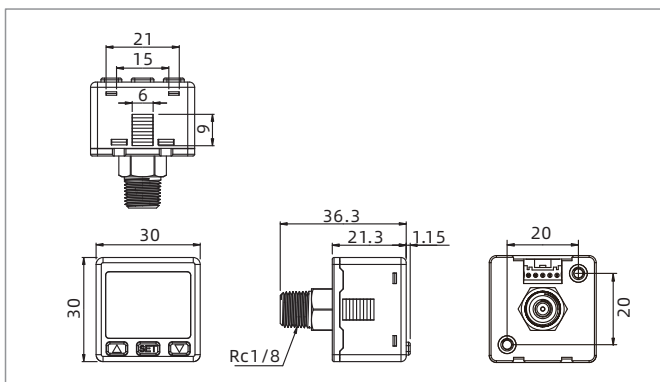


ZPDE-□N-R1M 1NPN output

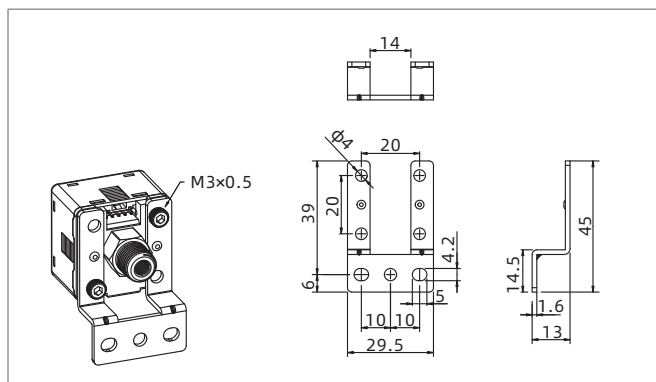
Panel instructions



Dimensions (mm)



ZPDE-□N-R1M



ZPDT-A-MB Mounting bracket A type

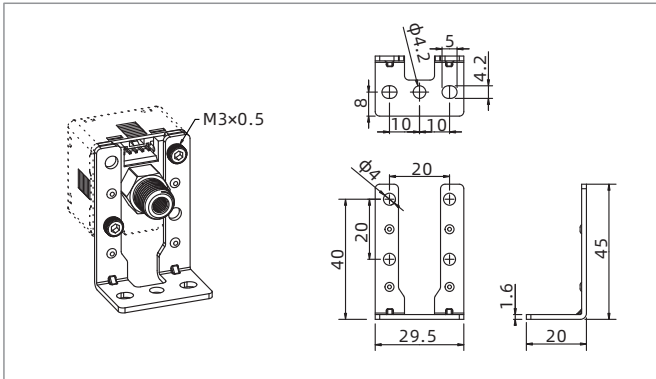
Vacuum Accessories

- ZFA
- ZFE
- ZFD
- ZFB
- ZFL
- ZFP
- ZVAB
- ZVAC
- ZVAA
- ZVEA
- ZVR
- ZVRM
- ZVCM
- ZVD
- ZVT
- ZVS
- ZPDT
- ZPDE
- ZPMR
- ZSA

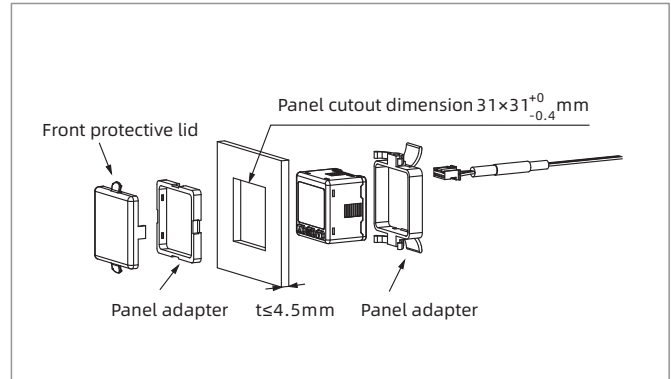
ZPDE Series

High-precision Digital Pressure Switch

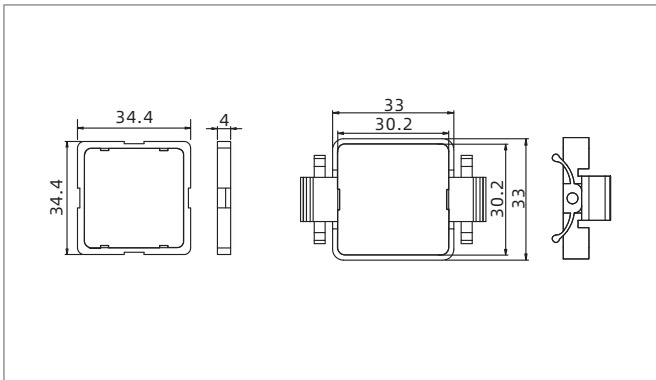
Dimensions (mm)



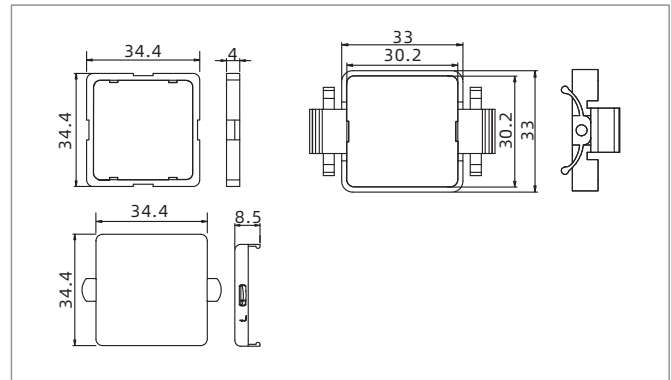
ZPDT-B-MB Mounting bracket B type



Panel type



ZPDT-PS Panel adapter



ZPDT-PC Front protective lid + panel adapter

Accessories

Item	Model
Mounting bracket A type	ZPDT-A-MB
Mounting bracket B type	ZPDT-B-MB
Panel adapter	ZPDT-PS
Front protective lid + panel adapter	ZPDT-PC

ZPMR Series

Mechanical Pressure Gauge



UNIVERSAL

Features

- ◇ Mechanical pressure gauge, panel is made of acrylic, and ABS black plastic for housing
- ◇ Back entry type mounting, universal specifications, easy to use



How to order

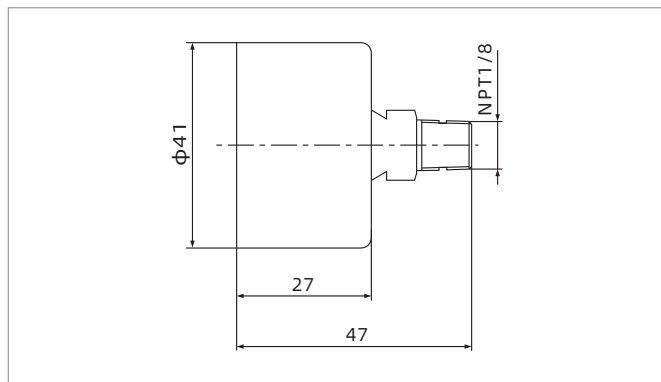
ZPMR - P
① ②

① Series	② Pressure type	Connection thread
ZPMR	P - Positive V - Negative	NPT1/8 male thread G1/8 male thread

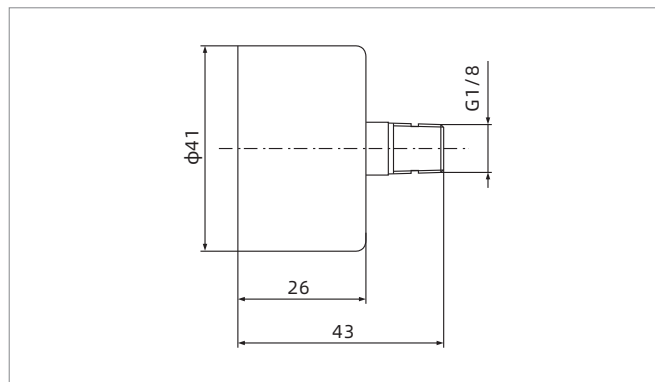
Technical parameters

Model	Pressure range	Dial size	Material of connector	Connection thread	Weight g
ZPMR-P	0~1MPa	1.5 inch	Copper alloy	NPT1/8	63.5
ZPMR-V	-100~0kPa	1.5 inch	Copper alloy	G1/8	57

Dimensions (mm)



ZPMR-P



ZPMR-V

ZSA Series

Silencer



UNIVERSAL

Features

- ◇ The silencers which are fitted to various standard vacuum generators can be ordered separately as replacements. They significantly reduce noise level on all exhaust applications



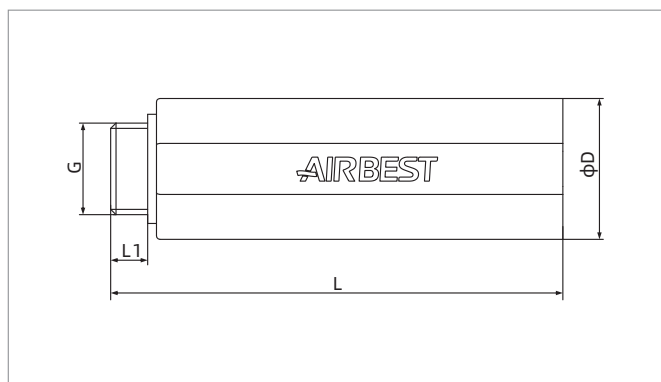
How to order

ZSA - G1M

① ②

① Series	② Connection thread
ZSA	G1M - G1/8 male thread G2M - G1/4 male thread G3M - G3/8 male thread G4M - G1/2 male thread G6M - G3/4 male thread G8M - G1" male thread

Dimensions (mm)



ZSA

Model/Size	L	D	G	L1	Weight g	Denoise dB(A)
ZSA-G1M	46	14	G1/8	5	3	10
ZSA-G2M	73	20	G1/4	8	20	10
ZSA-G3M	72	24	G3/8	8	25	10
ZSA-G4M	128	30	G1/2	7	35	10
ZSA-G6M	126	40	G3/4	7	55	10
ZSA-G8M	121.5	53	G1"	10	82	10

Note



A series of horizontal dashed lines for writing notes, spanning the width of the page.

